



US00D936514S

(12) **United States Design Patent** (10) **Patent No.:** **US D936,514 S**
Smoot et al. (45) **Date of Patent:** **** Nov. 23, 2021**

(54) **LED SNOW GLOBE** D669,643 S * 10/2012 Kilroy A01K 63/003
D30/104
(71) Applicant: **DISNEY ENTERPRISES, INC.**, D725,759 S * 3/2015 Ott D23/356
Burbank, CA (US) D756,040 S * 5/2016 Rathbone D30/101
D889,047 S * 6/2020 Kapaun D30/101
(72) Inventors: **Lanny S. Smoot**, Thousand Oaks, CA D916,084 S * 4/2021 Nocon D14/371
(US); **Robert J. Bristow**, Shadow Hills, CA (US) D920,331 S * 5/2021 Nocon D14/371
2011/0168102 A1 * 7/2011 Kilroy A01K 63/006
119/246

(73) Assignee: **Disney Enterprises, Inc.**, Burbank, CA (US)

(**) Term: **15 Years**

(21) Appl. No.: **29/779,886**

(22) Filed: **Apr. 21, 2021**

(51) **LOC (13) Cl.** **11-02**

(52) **U.S. Cl.**
USPC **D11/131**

(58) **Field of Classification Search**
USPC D11/131, 131.1, 164; D6/657, 661,
D6/661.3; D26/72; D30/101
CPC G09F 19/02; G09F 19/00; A61M
2021/0016; A61M 21/00; A61M 2205/59;
A01K 63/003; F21W 2121/006
See application file for complete search history.

(56) **References Cited**

U.S. PATENT DOCUMENTS

2,879,742 A * 3/1959 Morrill A01K 63/003
119/258
D345,322 S * 3/1994 Menefee D11/131
D350,245 S * 9/1994 Branz D6/661.3
D357,645 S * 4/1995 Wang D11/131
D369,924 S * 5/1996 Werner D6/661.3
D377,242 S * 1/1997 Kelley D30/101
D385,343 S * 10/1997 Chiu D23/356
D424,829 S * 5/2000 Platts D6/669
D547,776 S * 7/2007 Debontridder D15/81

OTHER PUBLICATIONS

120 Gallon Half Circle Acrylic Aquarium Fish Tank, available Dec. 8, 2016, [online], [site visited Sep. 9, 2021]. Available from internet, URL: <https://www.monsterfishkeepers.com/forums/threads/fs-120-gallon-half-circle-acrylic-aquarium-fish-tank-750-concord-ca-pickup.678589/> (Year: 2016).*

* cited by examiner

Primary Examiner — W. A. Teddy Falloway
(74) *Attorney, Agent, or Firm* — Snell & Wilmer LLP;
Kent A. Lembke

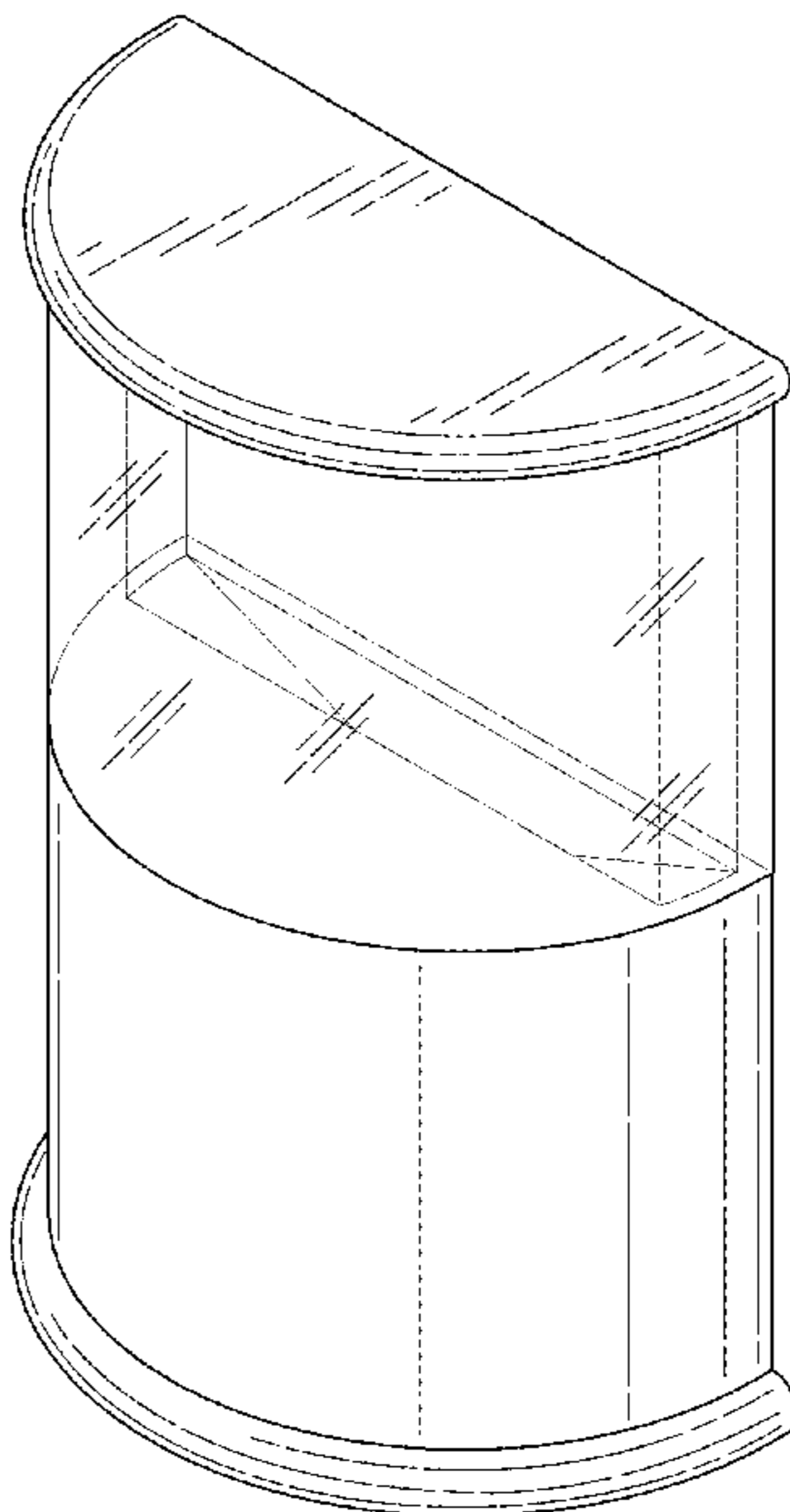
(57) **CLAIM**

The ornamental design for an LED snow globe, as shown and described.

DESCRIPTION

FIG. 1 is a front upper perspective view of an LED snow globe;
FIG. 2 is a rear lower perspective view thereof;
FIG. 3 is a front view thereof;
FIG. 4 is a rear view thereof;
FIG. 5 is a right side view thereof;
FIG. 6 is a left side view thereof;
FIG. 7 is a top view thereof; and,
FIG. 8 is a bottom view thereof.

1 Claim, 8 Drawing Sheets



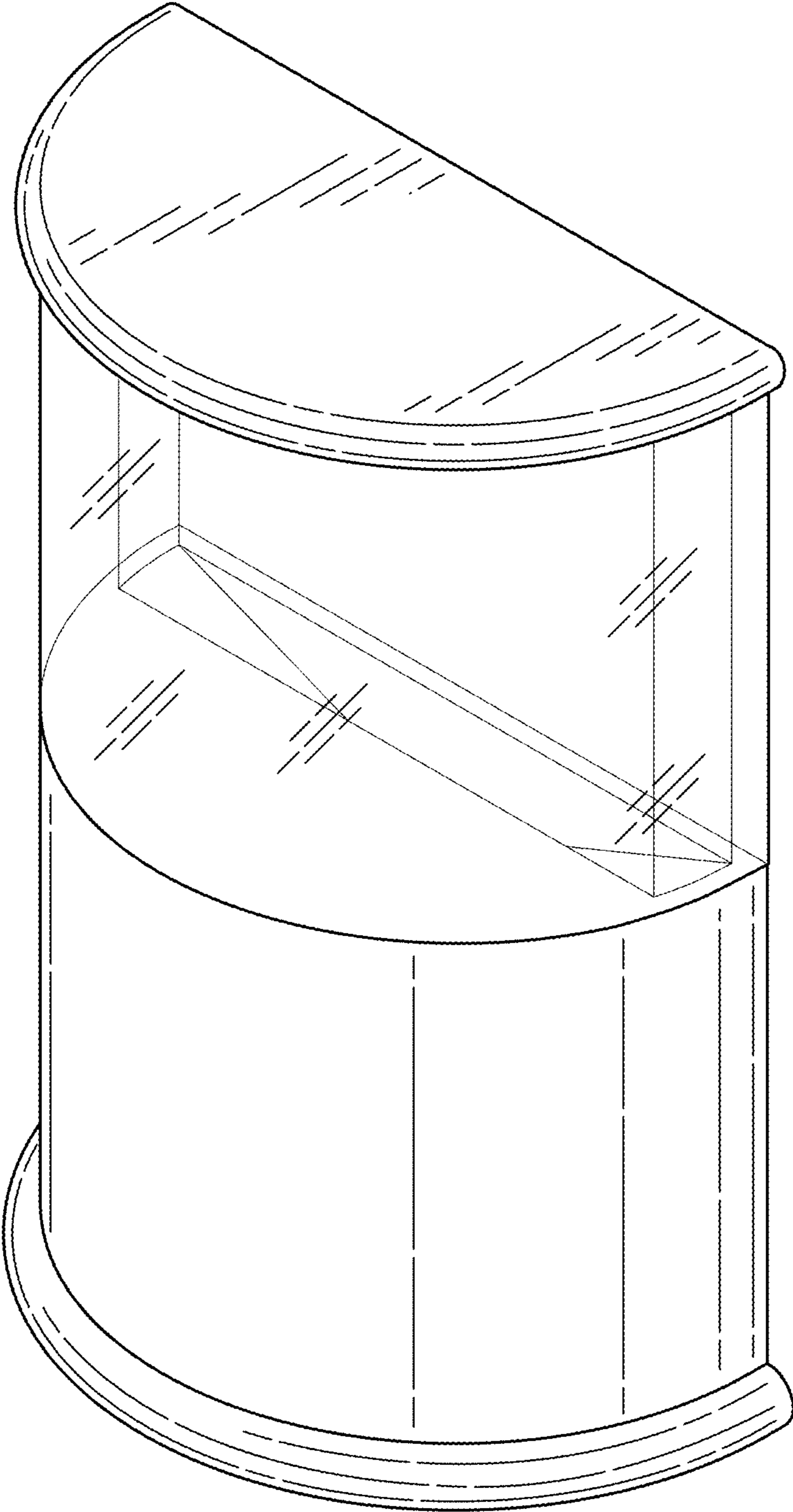


FIG.1

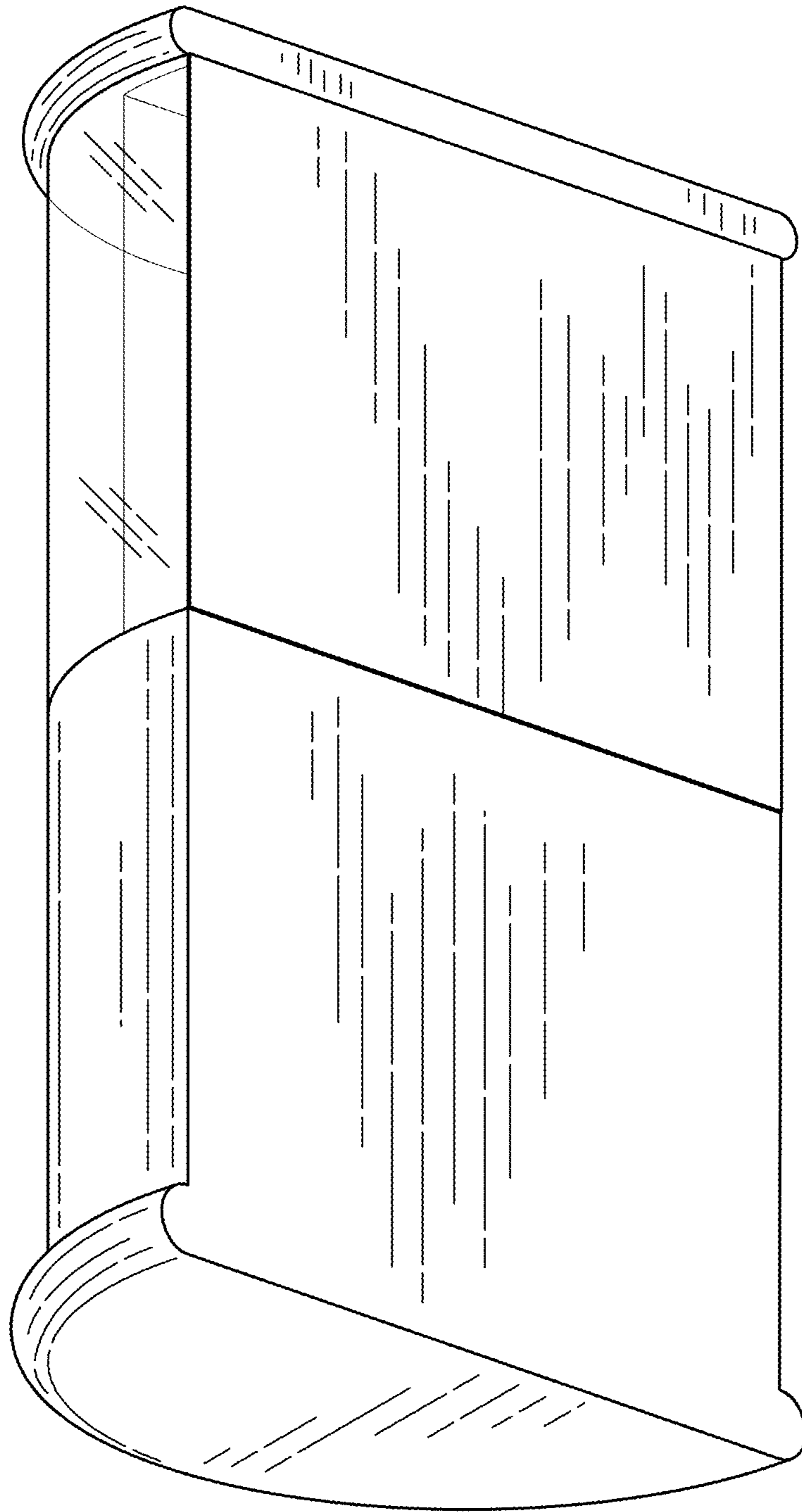


FIG.2

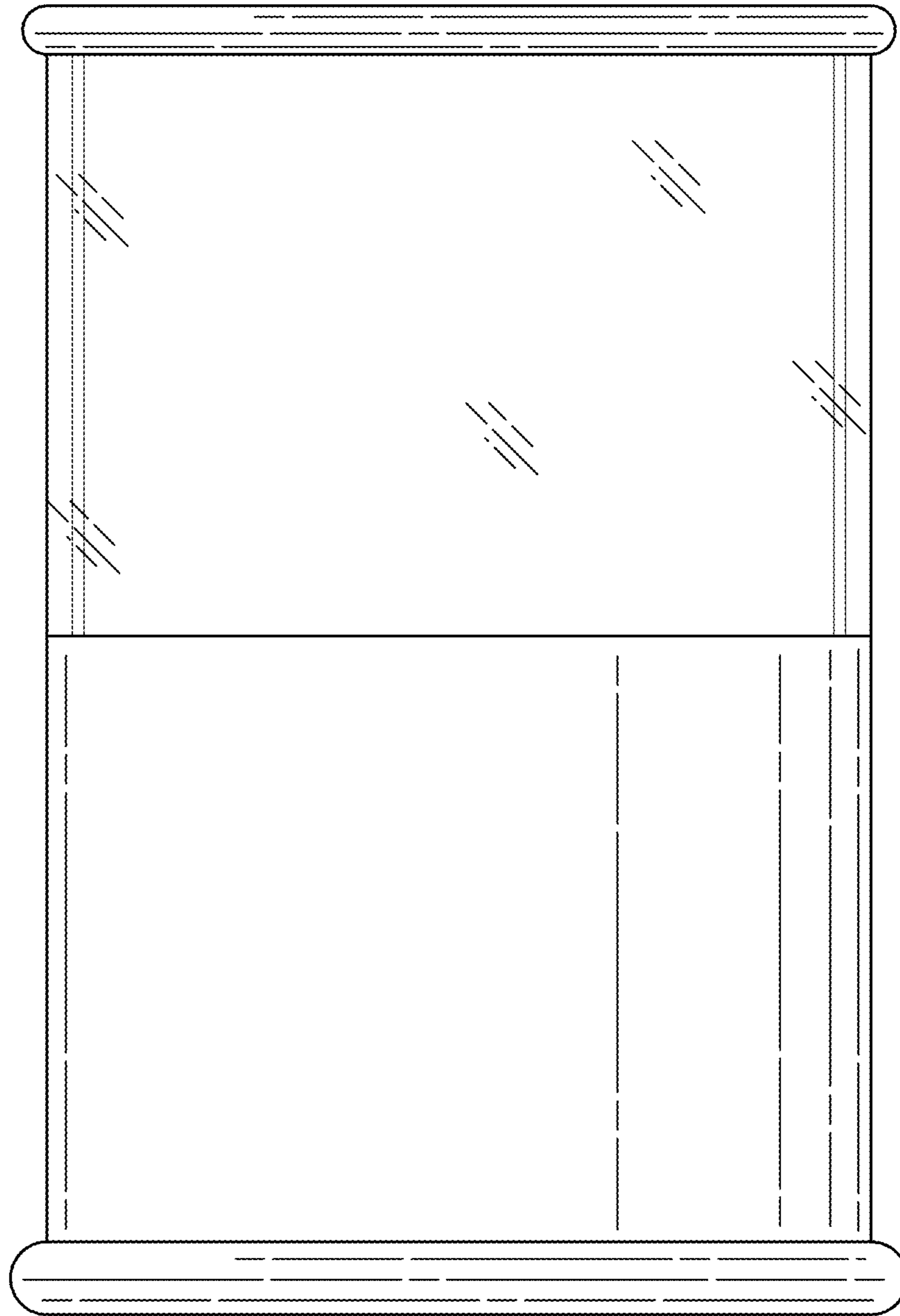


FIG.3

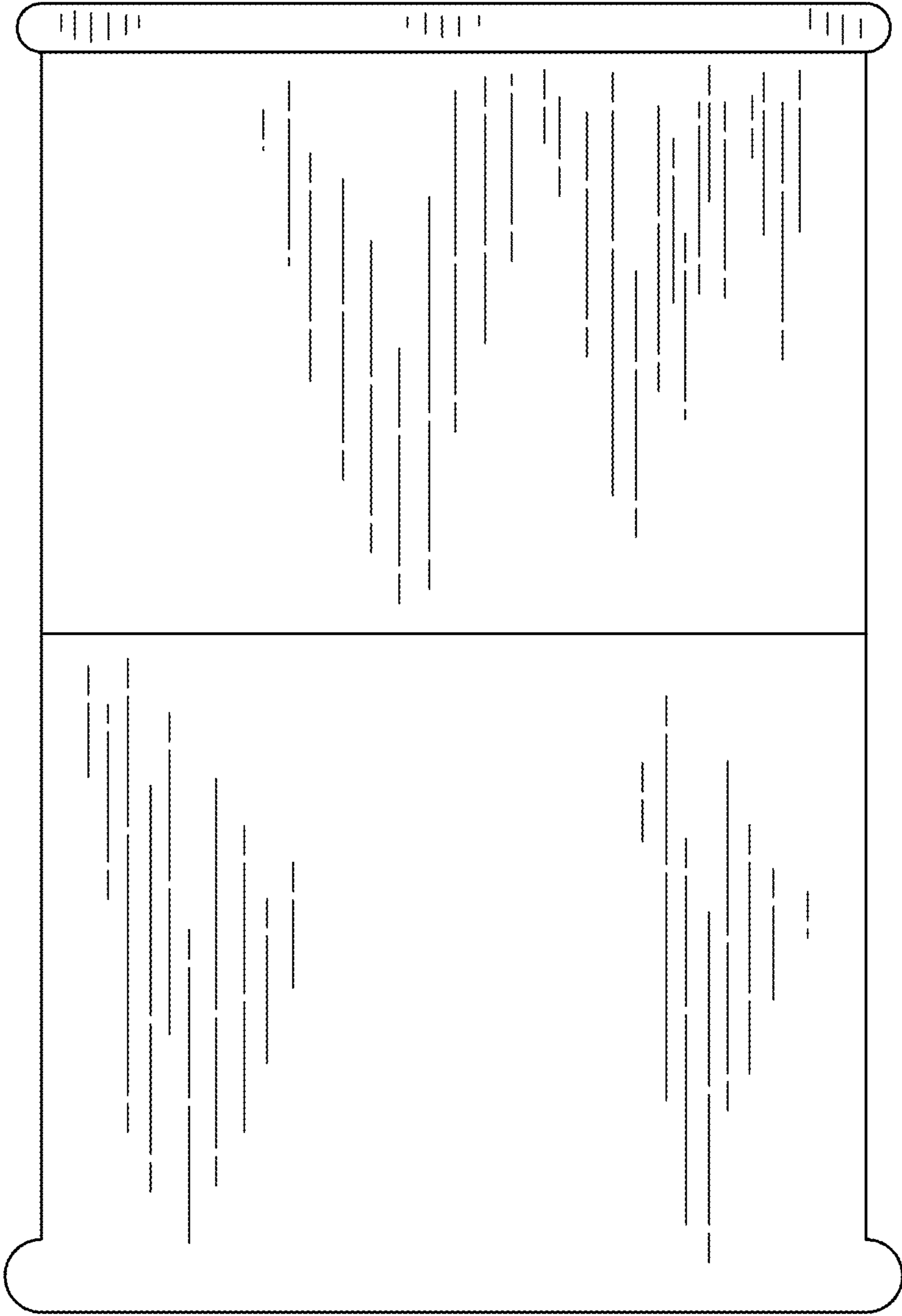


FIG.4

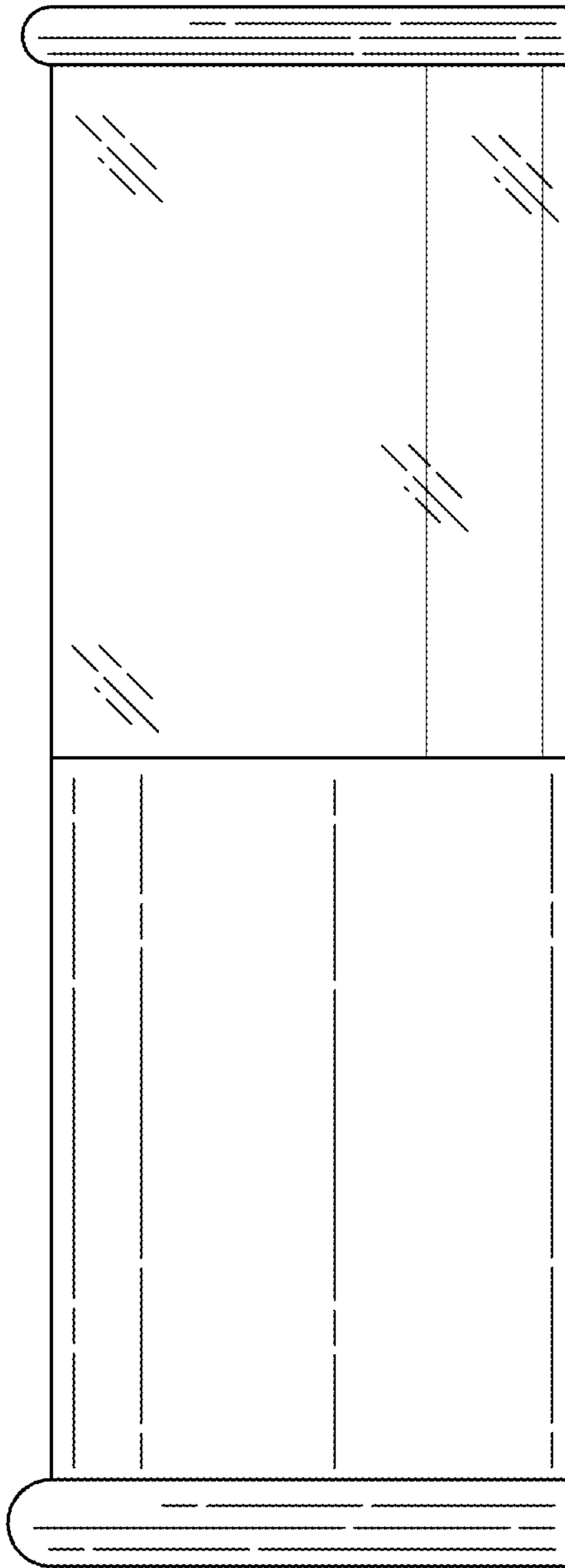


FIG.5

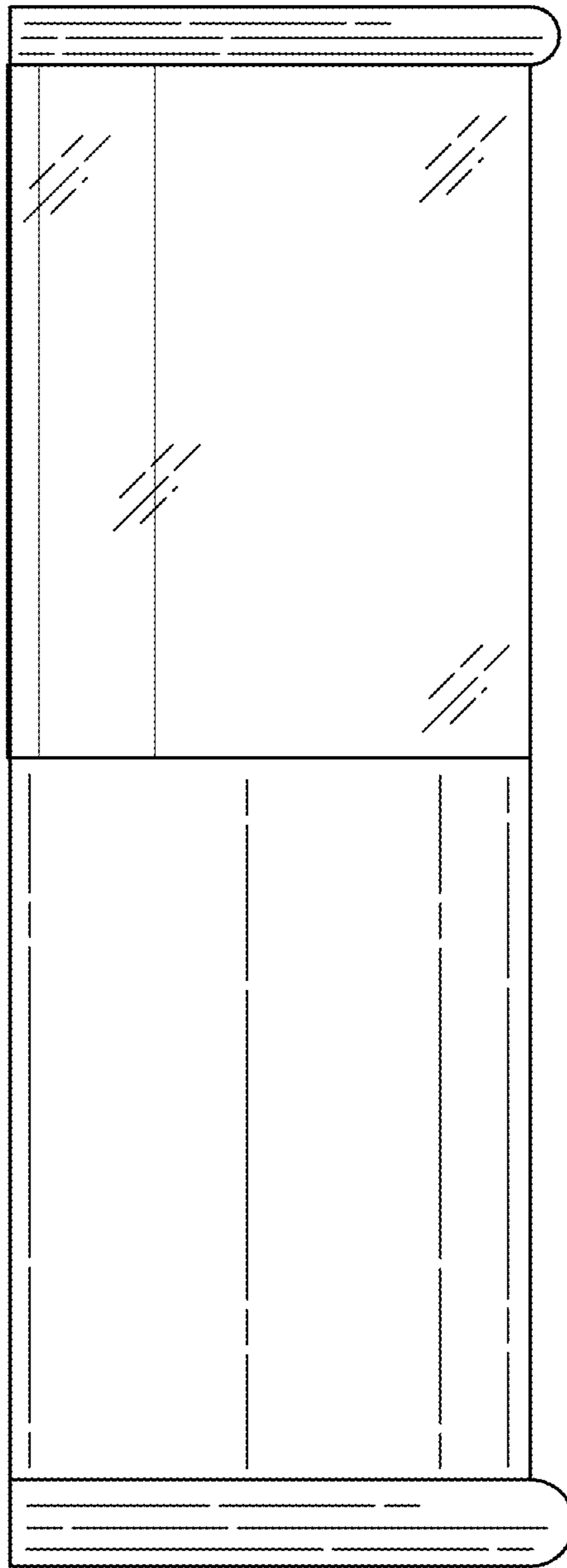


FIG.6

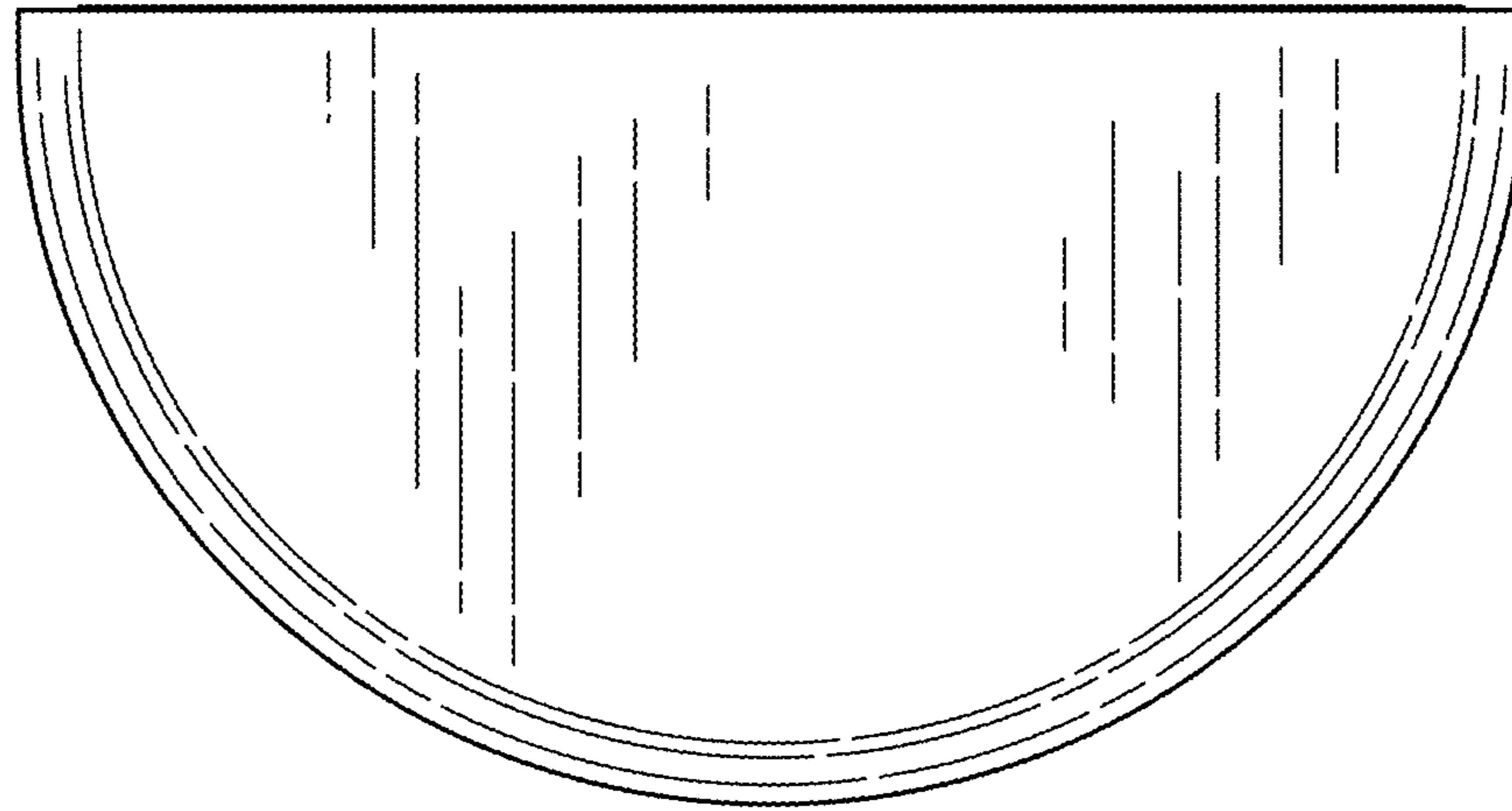


FIG.7

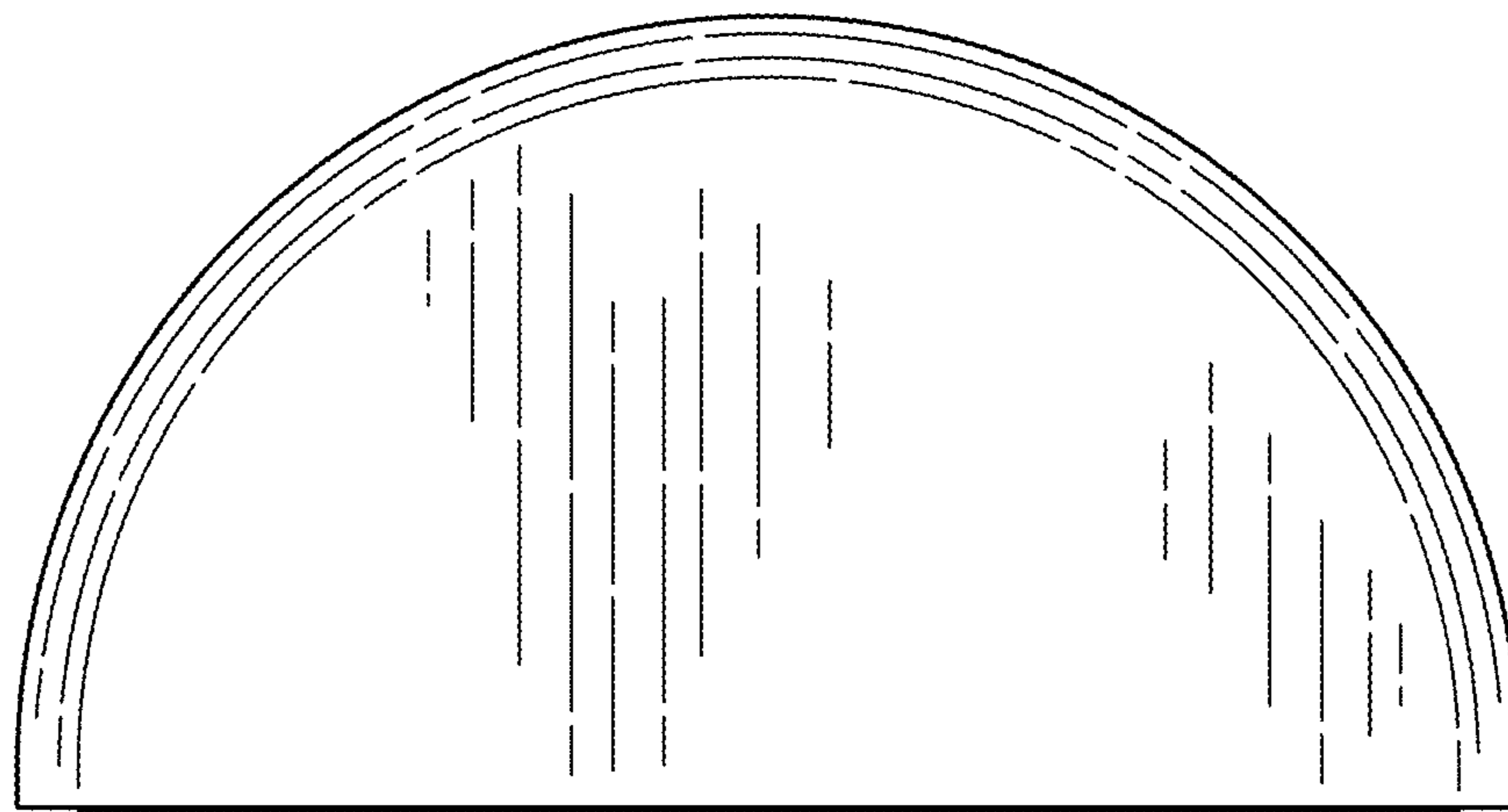


FIG.8