

US00D936513S

(12) **United States Design Patent** (10) **Patent No.:** **US D936,513 S**
Haller (45) **Date of Patent:** **** *Nov. 23, 2021**

- (54) **MIRRORED SIDE PANEL FOR A HANGING ORNAMENT**
- (71) Applicant: **John L. Haller**, La Jolla, CA (US)
- (72) Inventor: **John L. Haller**, La Jolla, CA (US)
- (*) Notice: This patent is subject to a terminal disclaimer.
- (**) Term: **15 Years**
- (21) Appl. No.: **29/681,662**
- (22) Filed: **Feb. 27, 2019**
- (51) **LOC (13) Cl.** **11-05**
- (52) **U.S. Cl.**
USPC **D11/121; D6/300**
- (58) **Field of Classification Search**
USPC D11/117, 121, 125, 130, 131, 132, 133, D11/141, 142, 157, 164; 428/7, 8, 9, 12
CPC A47G 33/00; A47G 33/08; A47G 33/0836; A47G 2033/0827; B44C 5/00; B44C 5/02; B44C 5/04; B44C 5/0407; B44C 5/0415; B44C 7/00
See application file for complete search history.

D789,829	S	*	6/2017	Nemeth	D11/121
D789,830	S	*	6/2017	Nemeth	D11/121
D791,639	S	*	7/2017	Nemeth	D11/121
D854,343	S	*	7/2019	Altemimei	D6/300
D856,990	S	*	8/2019	Romano	D14/250
D878,771	S	*	3/2020	Gelman	D6/300
2005/0262748	A1	*	12/2005	Curtis	G09F 3/14 40/649

(56) **References Cited**

U.S. PATENT DOCUMENTS

3,647,279	A	*	3/1972	Sharpless	G02F 1/13 349/23
D261,248	S	*	10/1981	Birmingham	D11/121
D340,673	S	*	10/1993	Saputo	D11/121
D381,520	S	*	7/1997	Sales	D6/300
D444,633	S	*	7/2001	Henick	D6/301
D459,898	S	*	7/2002	Sanford	D6/302
D465,932	S	*	11/2002	Henick	D6/302
D474,616	S	*	5/2003	Henick	D6/302
D474,899	S	*	5/2003	Henick	D6/301
D479,654	S	*	9/2003	Henick	D6/301
D479,772	S	*	9/2003	Henick	D6/301
D523,249	S	*	6/2006	Hoernig	D6/300
D553,850	S	*	10/2007	Trower	D3/208
D613,338	S	*	4/2010	Marukos	D20/10
D754,979	S	*	5/2016	Starck	D6/300

OTHER PUBLICATIONS

Green Mountain Glass Retired Hanging Mirrored Glass Package Ornaments 2.5" 3 Pcs ,

* cited by examiner

Primary Examiner — Elizabeth J Oswecki
(74) *Attorney, Agent, or Firm* — David R. Heckadon;
Gordon Rees Scully Mansukhani LLP

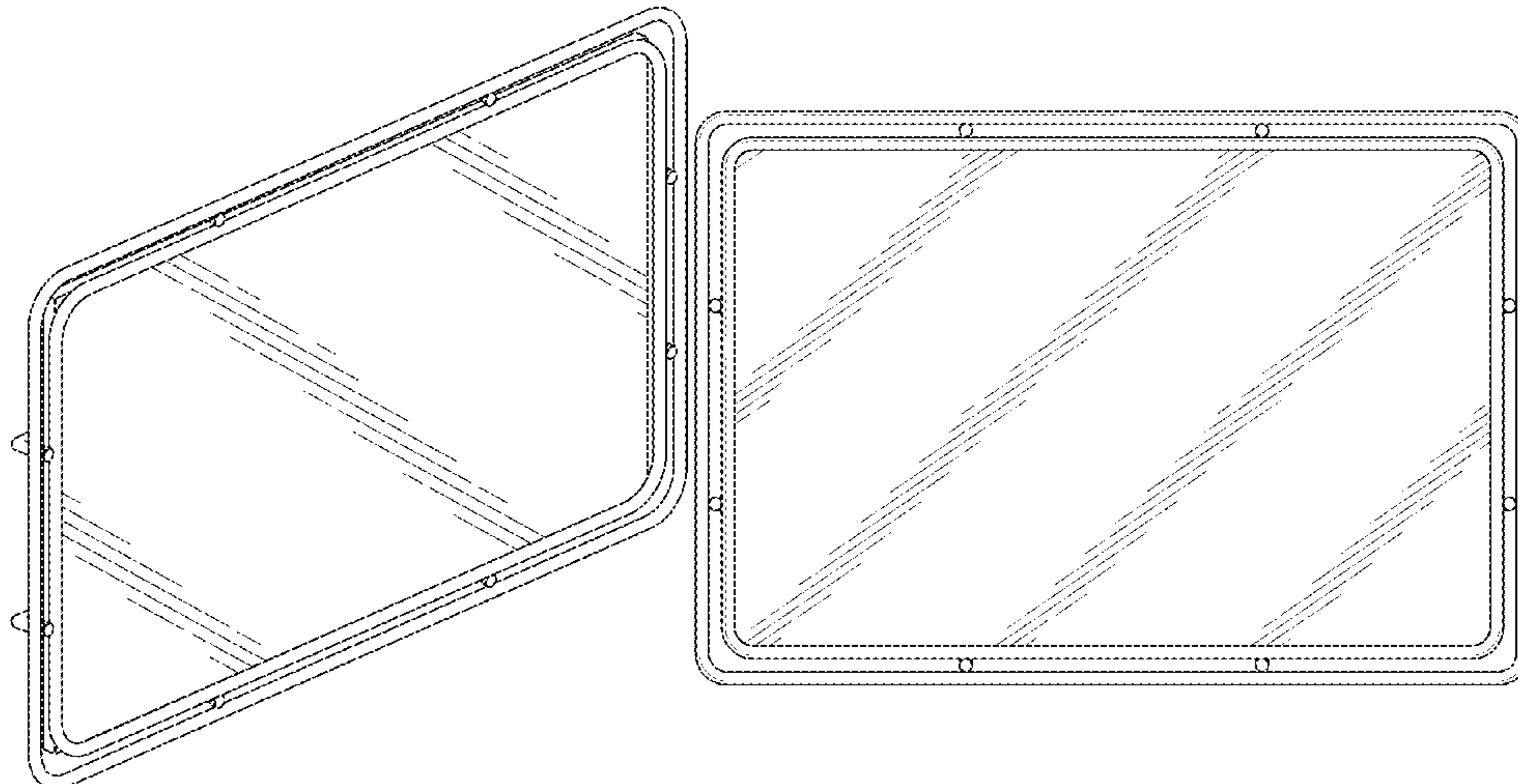
(57) **CLAIM**

The ornamental design for a mirrored side panel for a hanging ornament, as shown and described.

DESCRIPTION

FIG. 1 is a perspective view of a hanging ornament with mirrored side panels, showing my new design;
FIG. 2 is a front elevation view thereof;
FIG. 3 is a rear elevation view thereof;
FIG. 4 is a left side elevation view thereof;
FIG. 5 is a right side elevation view thereof;
FIG. 6 is a top plan view thereof; and,
FIG. 7 is a bottom plan view thereof.

1 Claim, 5 Drawing Sheets



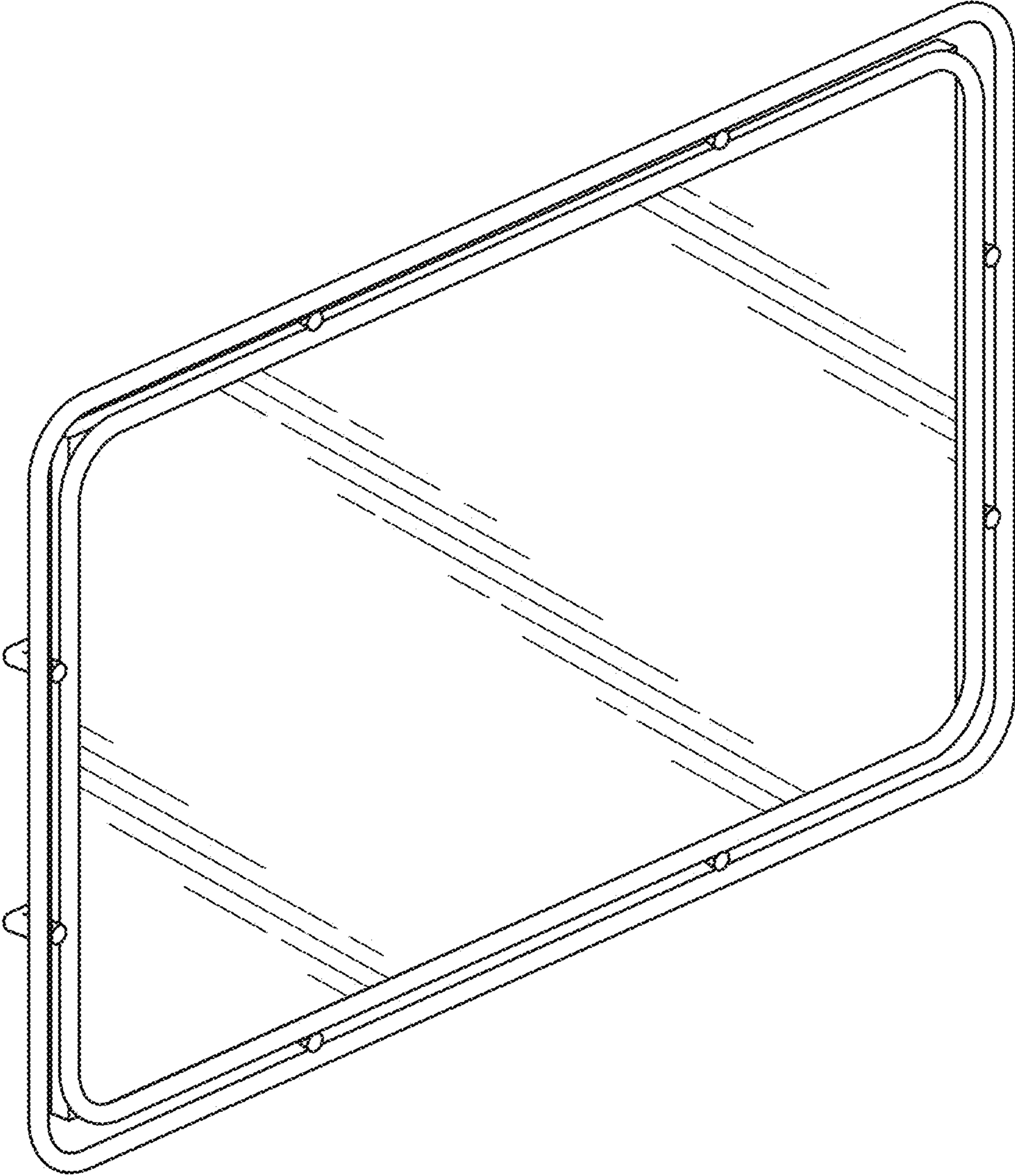


FIG. 1

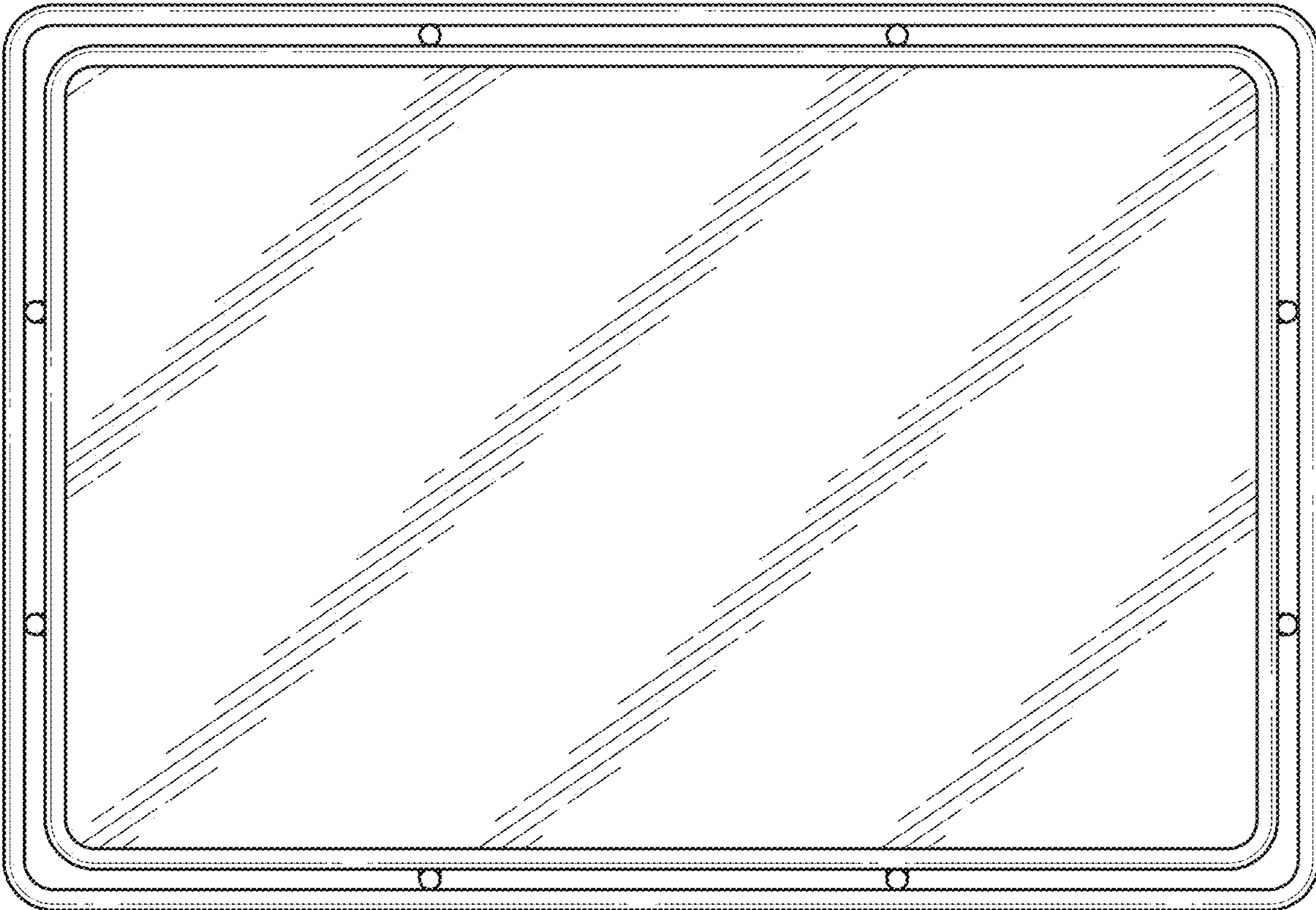


FIG. 2

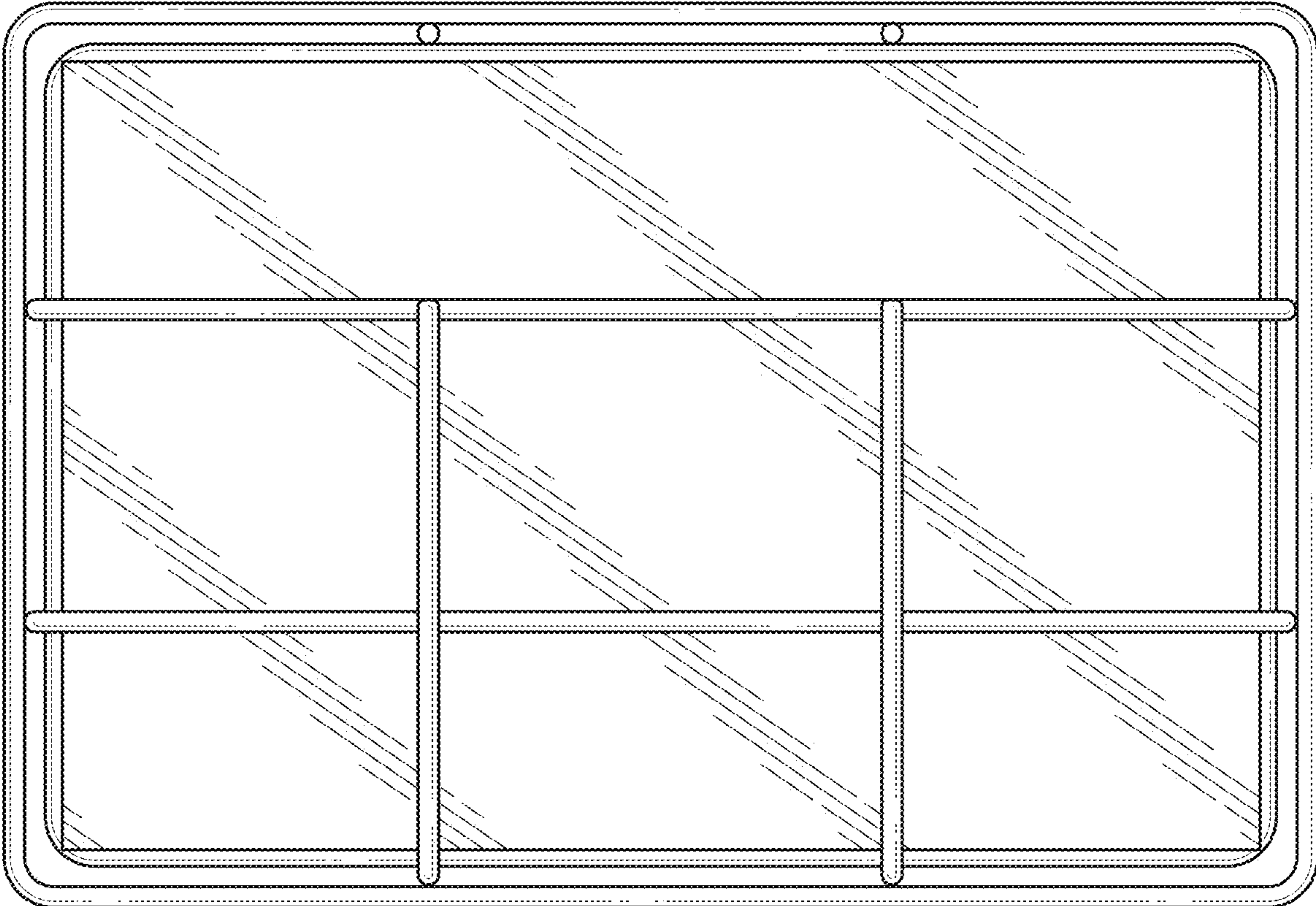


FIG. 3

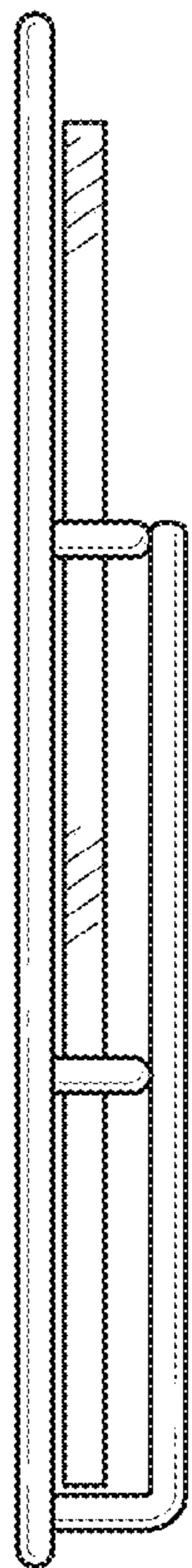


FIG. 4

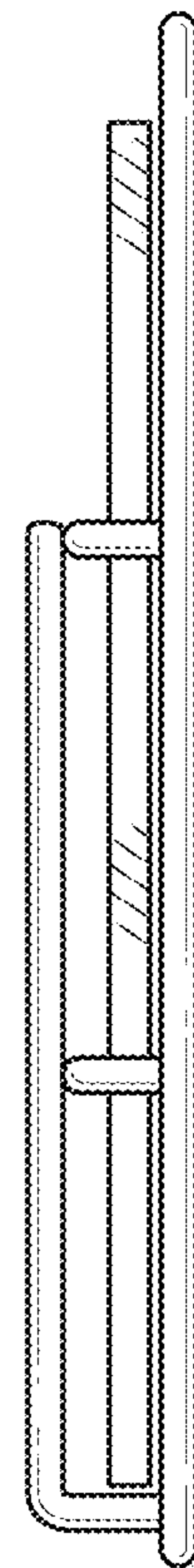


FIG. 5



FIG. 6

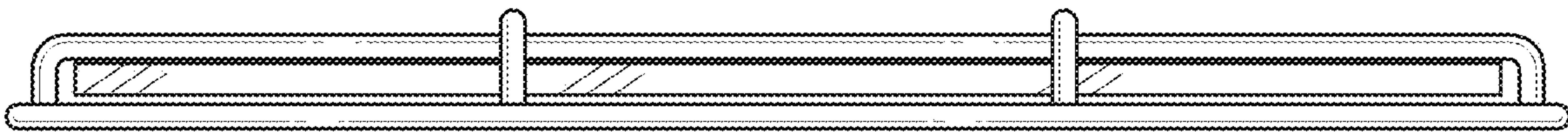


FIG. 7