

US00D936512S

(12) **United States Design Patent** (10) **Patent No.:** **US D936,512 S**
Schwartz (45) **Date of Patent:** **** Nov. 23, 2021**

(54) **PENDANT**
(71) Applicant: **Allen Theodore Schwartz**, The Villages, FL (US)
(72) Inventor: **Allen Theodore Schwartz**, The Villages, FL (US)
(**) Term: **15 Years**
(21) Appl. No.: **29/770,353**
(22) Filed: **Feb. 11, 2021**

(56) **References Cited**
U.S. PATENT DOCUMENTS
469,496 A * 2/1892 Bugbee A44C 27/00 D11/90
1,209,998 A * 12/1916 Pinckert A44C 21/00 D11/95
4,733,861 A * 3/1988 Plunkett, III A63B 21/0004 482/126

Related U.S. Application Data

(62) Division of application No. 29/706,227, filed on Sep. 18, 2019, now Pat. No. Des. 913,145.
(51) **LOC (13) Cl.** **11-01**
(52) **U.S. Cl.**
USPC **D11/79**
(58) **Field of Classification Search**
USPC ... D11/1, 3, 2, 7, 11, 17, 26, 40-43, 79, 86; D3/207; D30/155
CPC .. A44C 1/00; A44C 3/00; A44C 3/004; A44C 7/00; A44C 7/001; A44C 7/002; A44C 7/004; A44C 7/007; A44C 7/009; A44C 9/00; A44C 9/0007; A44C 9/0015; A44C 9/0023; A44C 9/003; A44C 9/0053; A44C 9/0061; A44C 9/0069; A44C 13/00; A44C 15/00; A44C 15/0045; A44C 15/005; A44C 15/0055; A44C 17/02; A44C 17/0208; A44C 17/0216; A44C 17/0233; A44C 17/0241; A44C 17/025; A44C 15/0035; A44C 9/02; A44C 7/008; A44C 7/006; A44C 7/005; A44C 7/003; A44C 25/001; A44C 25/005; A44C 25/007; A44C 25/008; A44C 15/001; A44C 15/0025; A44C 15/004

See application file for complete search history.

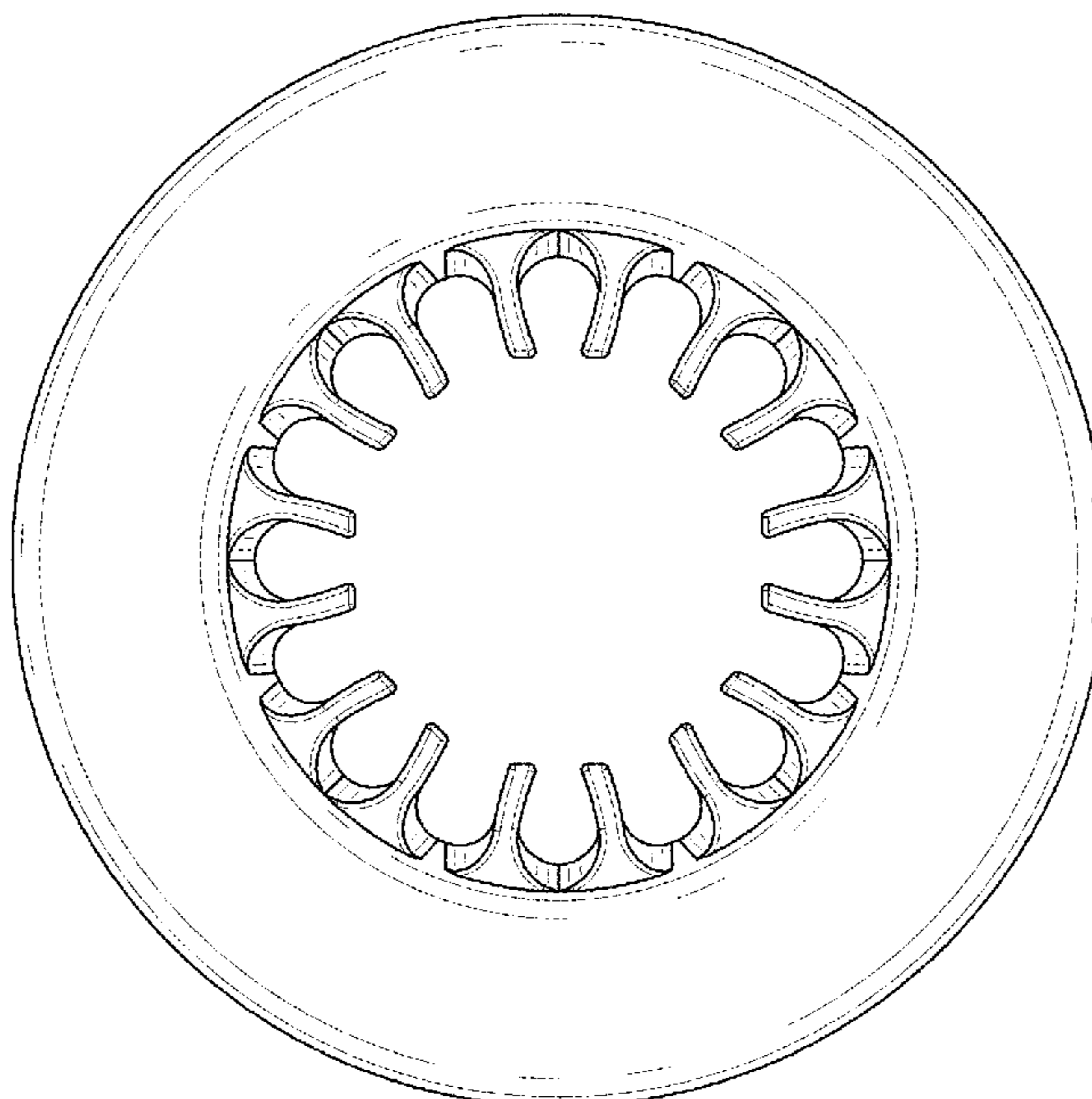
(Continued)
Primary Examiner — Wendy L Arminio
Assistant Examiner — Tracey J Bell
(74) *Attorney, Agent, or Firm* — Tatonetti IP
(57) **CLAIM**

I claim the ornamental design for a pendant, as shown and described.

DESCRIPTION

FIG. 1 is a perspective view of the pendant, according to a first embodiment of my new design;
FIG. 2 is a front side view thereof;
FIG. 3 is a rear side view thereof;
FIG. 4 is a left side view thereof;
FIG. 5 is a right side view thereof;
FIG. 6 is a top side view thereof;
FIG. 7 is a bottom side view thereof;
FIG. 8 is a perspective view showing the pendant with environmental features;
FIG. 9 is a perspective view of the pendant according to a second embodiment of my new design;
FIG. 10 is a front side view thereof;
FIG. 11 is a rear side view thereof;
FIG. 12 is a left side view thereof;
FIG. 13 is a right side view thereof;
FIG. 14 is a top side view thereof;
FIG. 15 is a bottom side view thereof; and,
FIG. 16 is a perspective view showing the pendant with environmental features.
The broken lines in FIGS. 8 and 16 depict environment and form no part of the claimed design.

1 Claim, 12 Drawing Sheets



(56)

References Cited

U.S. PATENT DOCUMENTS

5,823,387 A * 10/1998 Manadanas B65D 35/242
222/1
D522,902 S * 6/2006 Kaplan D11/26
D571,639 S * 6/2008 Whitney, Jr. D8/352
D666,362 S * 8/2012 Hsu D28/41
D690,961 S * 10/2013 Chou D6/580
D852,026 S * 6/2019 Fechner D8/352
10,349,710 B1 * 7/2019 Talesara A44C 15/005
D913,145 S * 3/2021 Schwartz D11/79

* cited by examiner

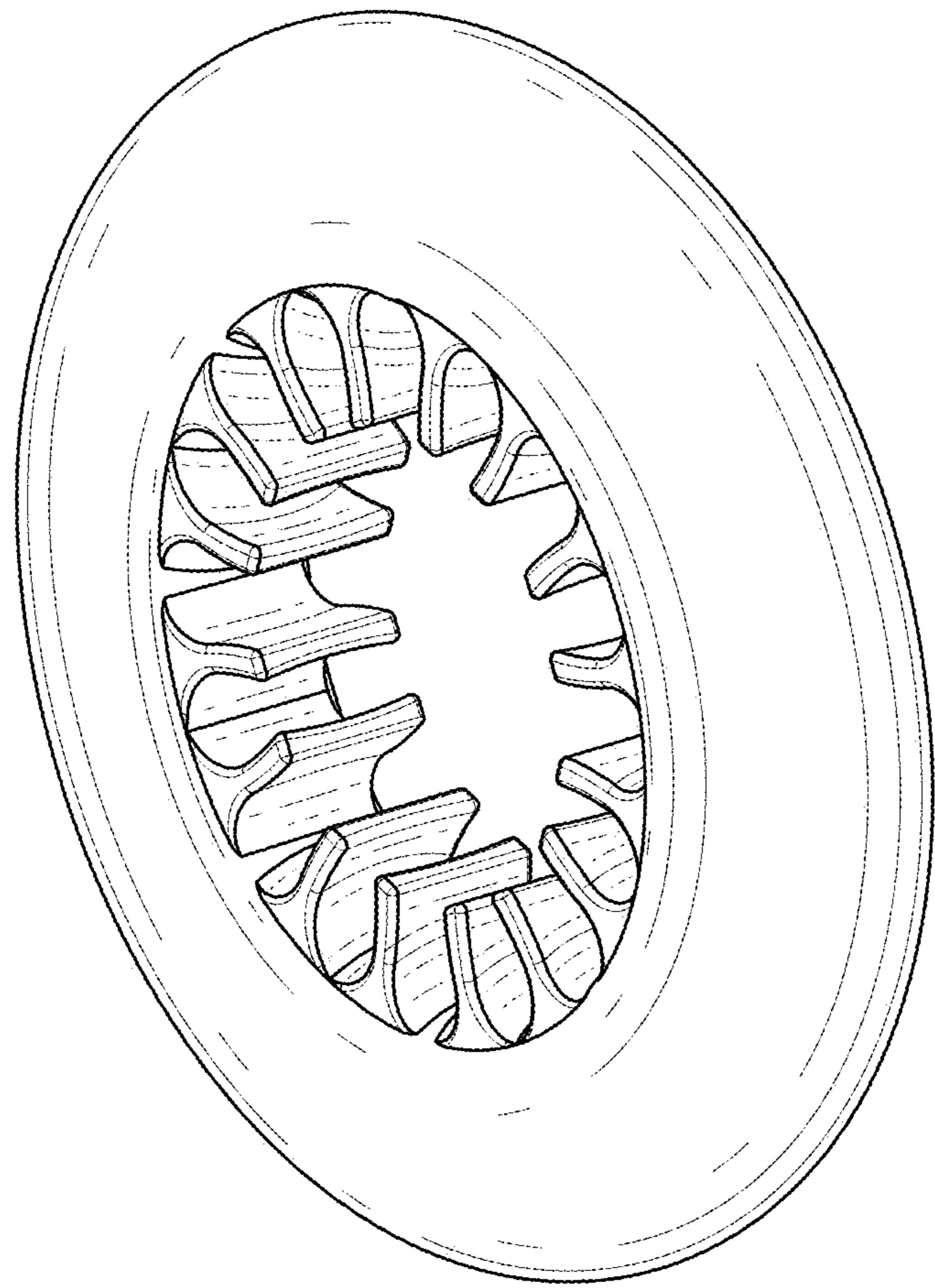


FIG. 1

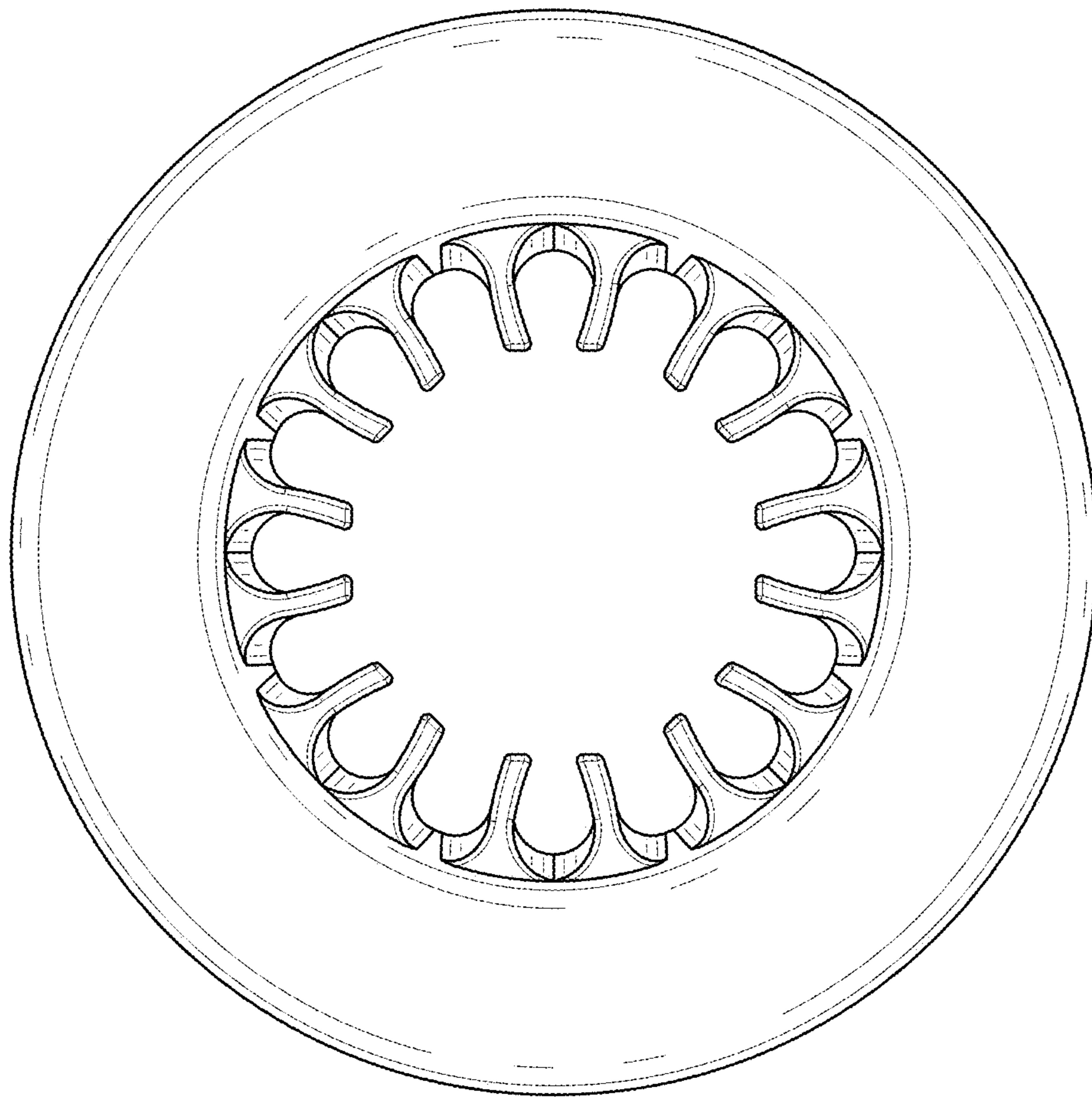


FIG. 2

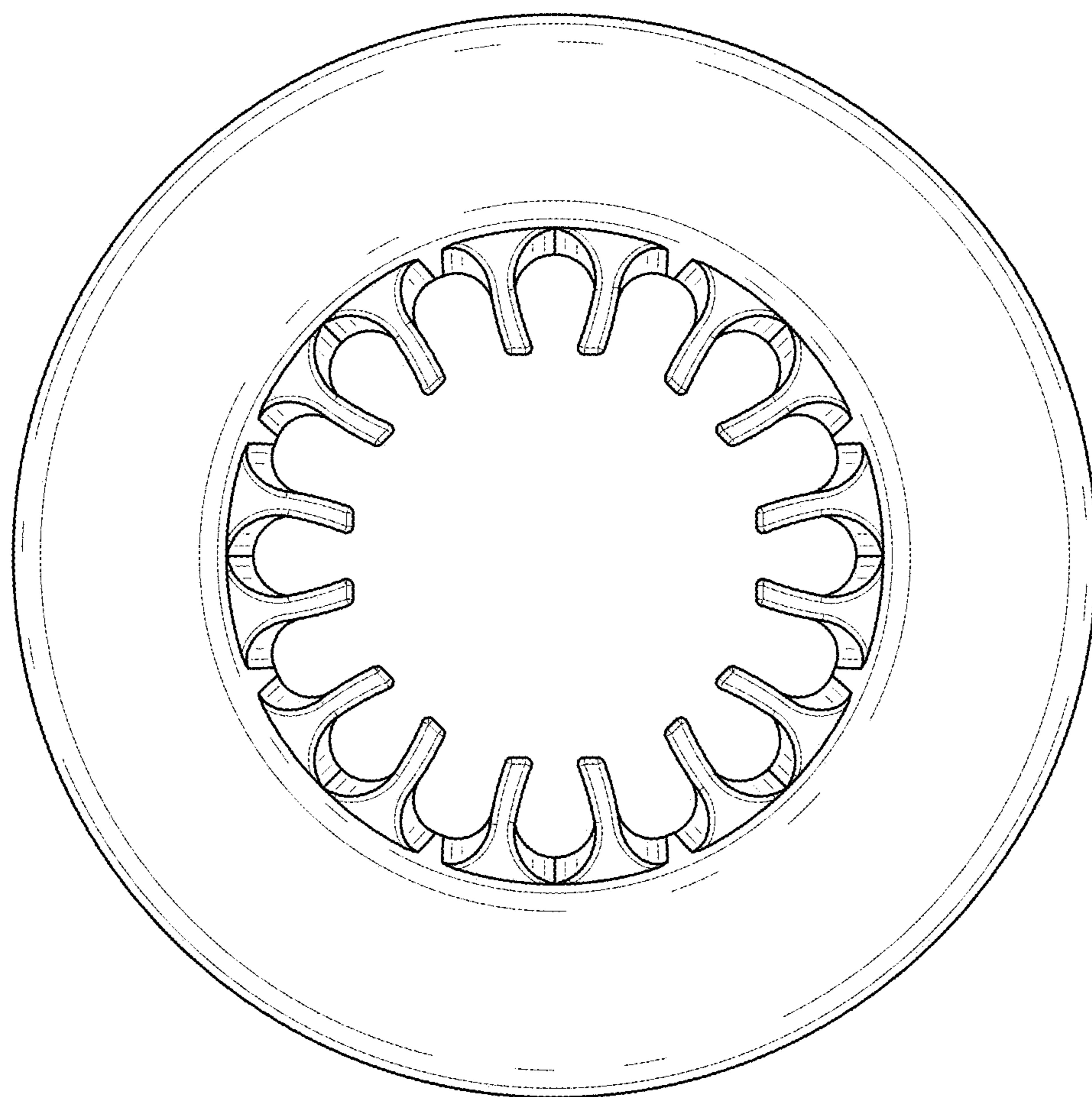


FIG. 3

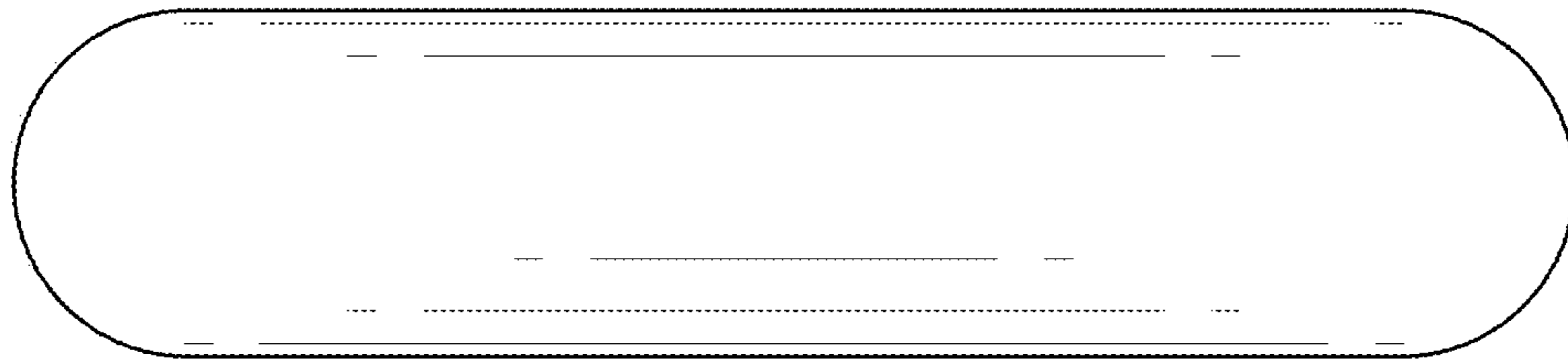


FIG. 4

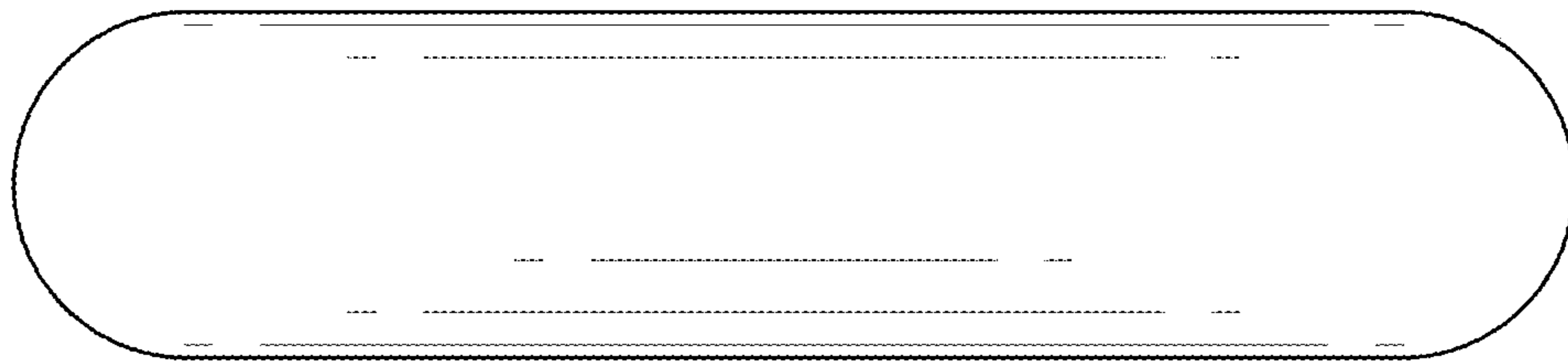


FIG. 5

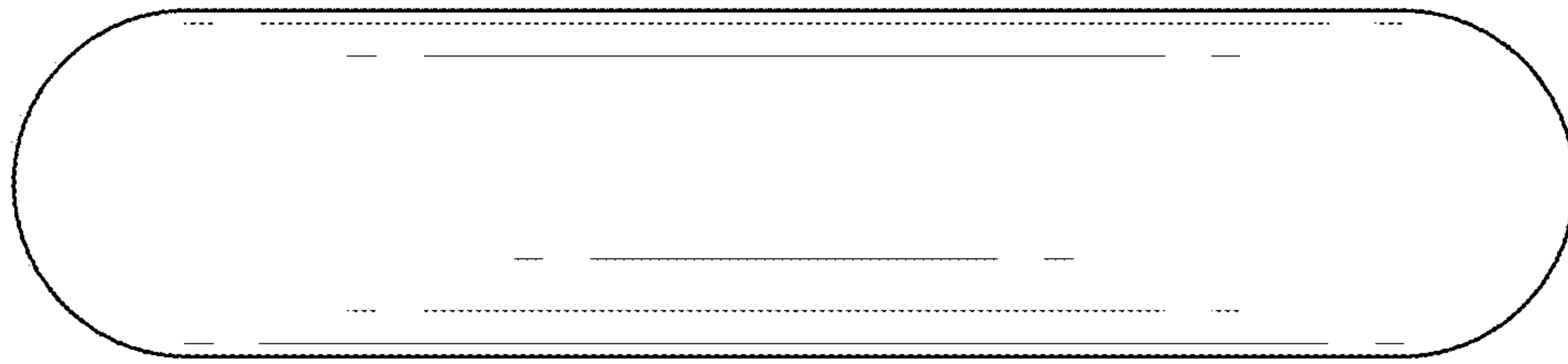


FIG. 6

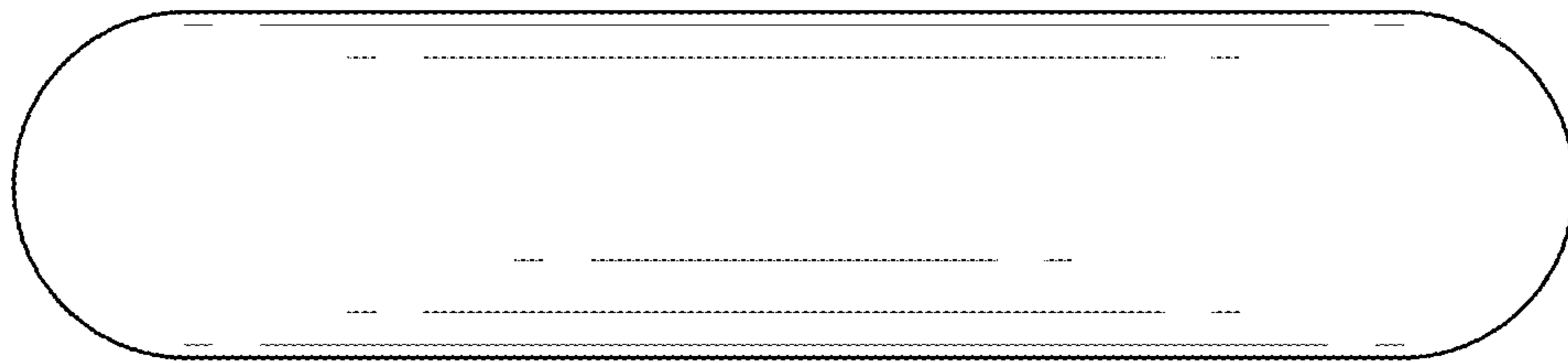


FIG. 7

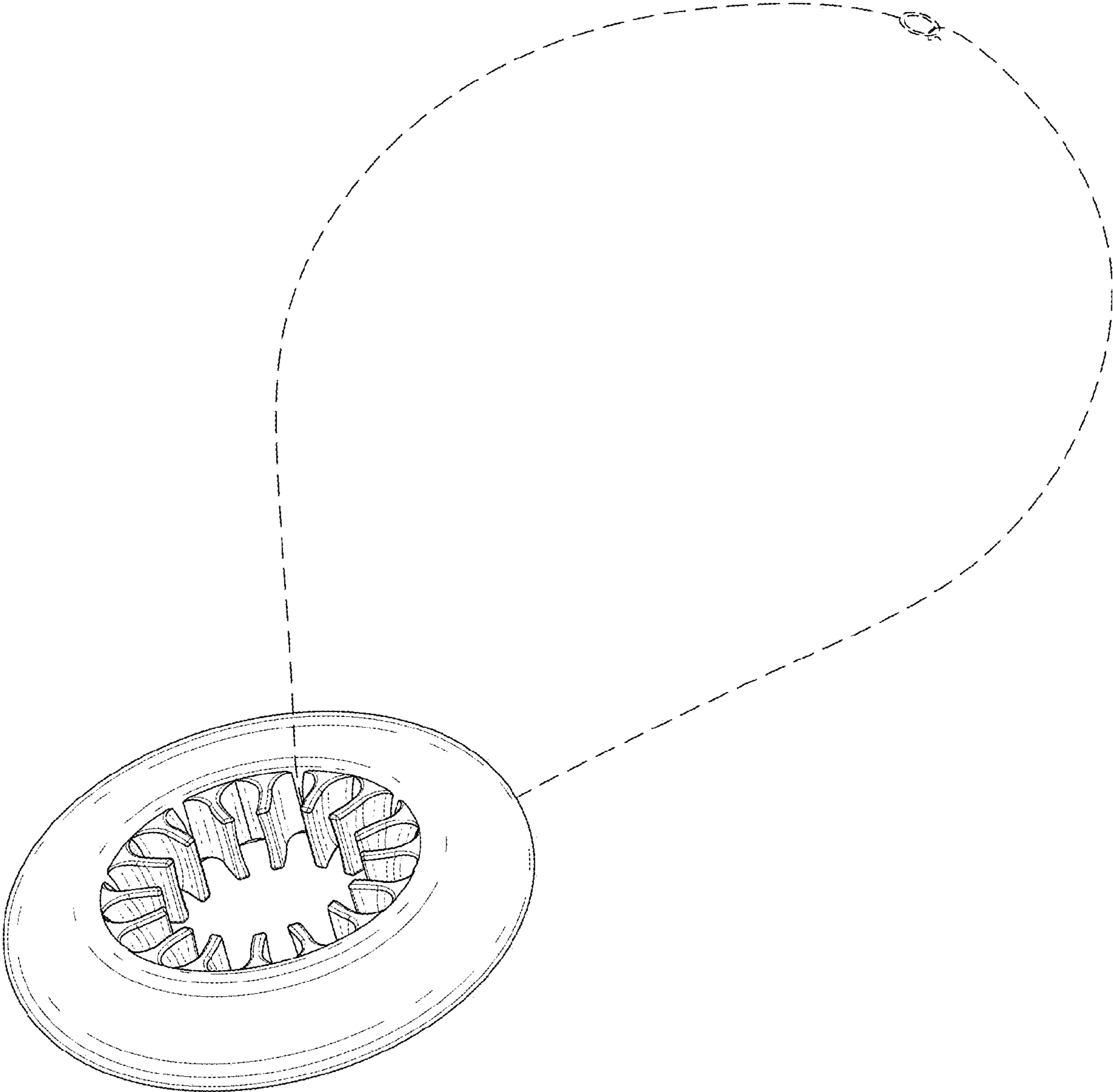


FIG. 8

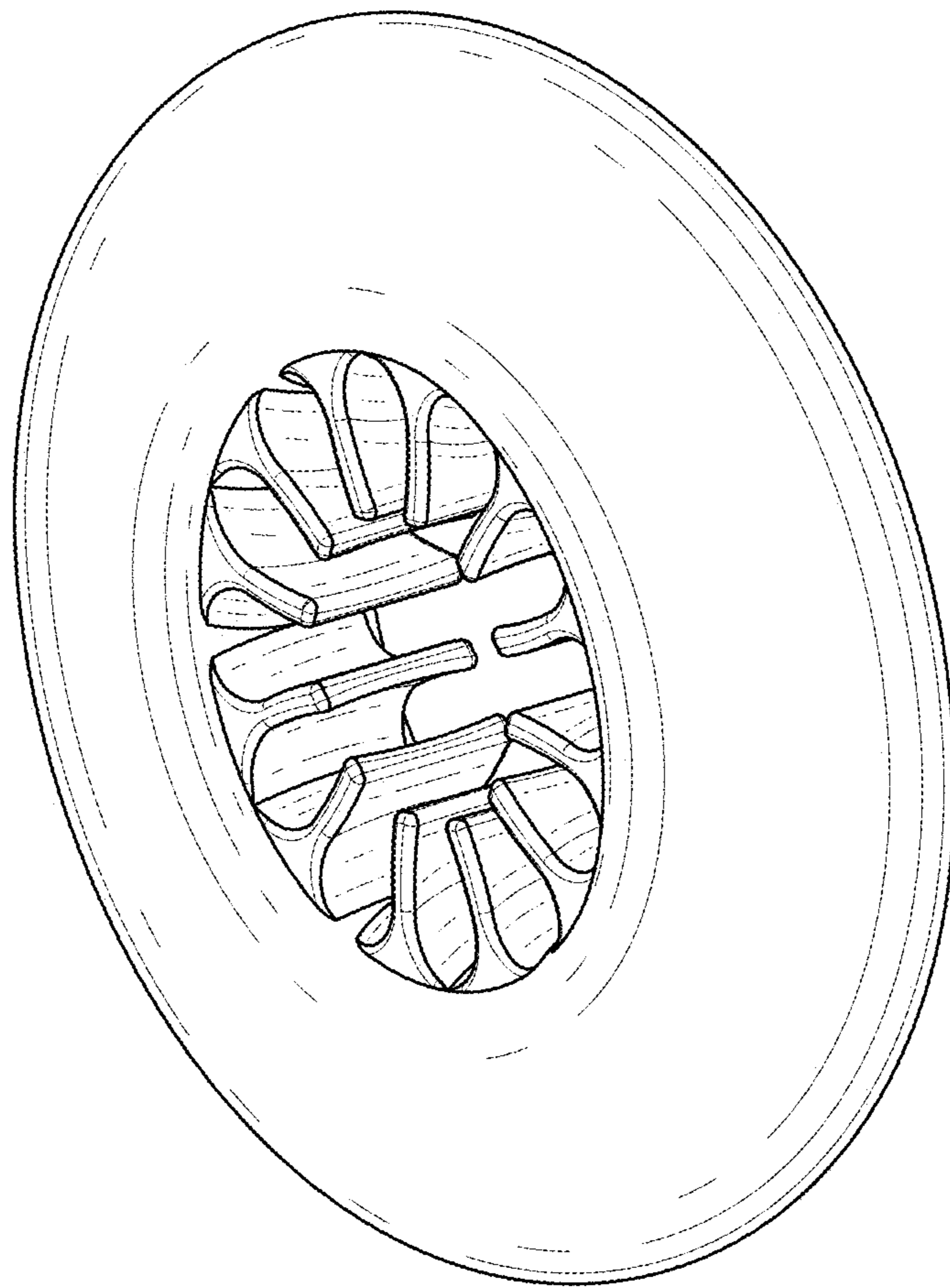


FIG. 9

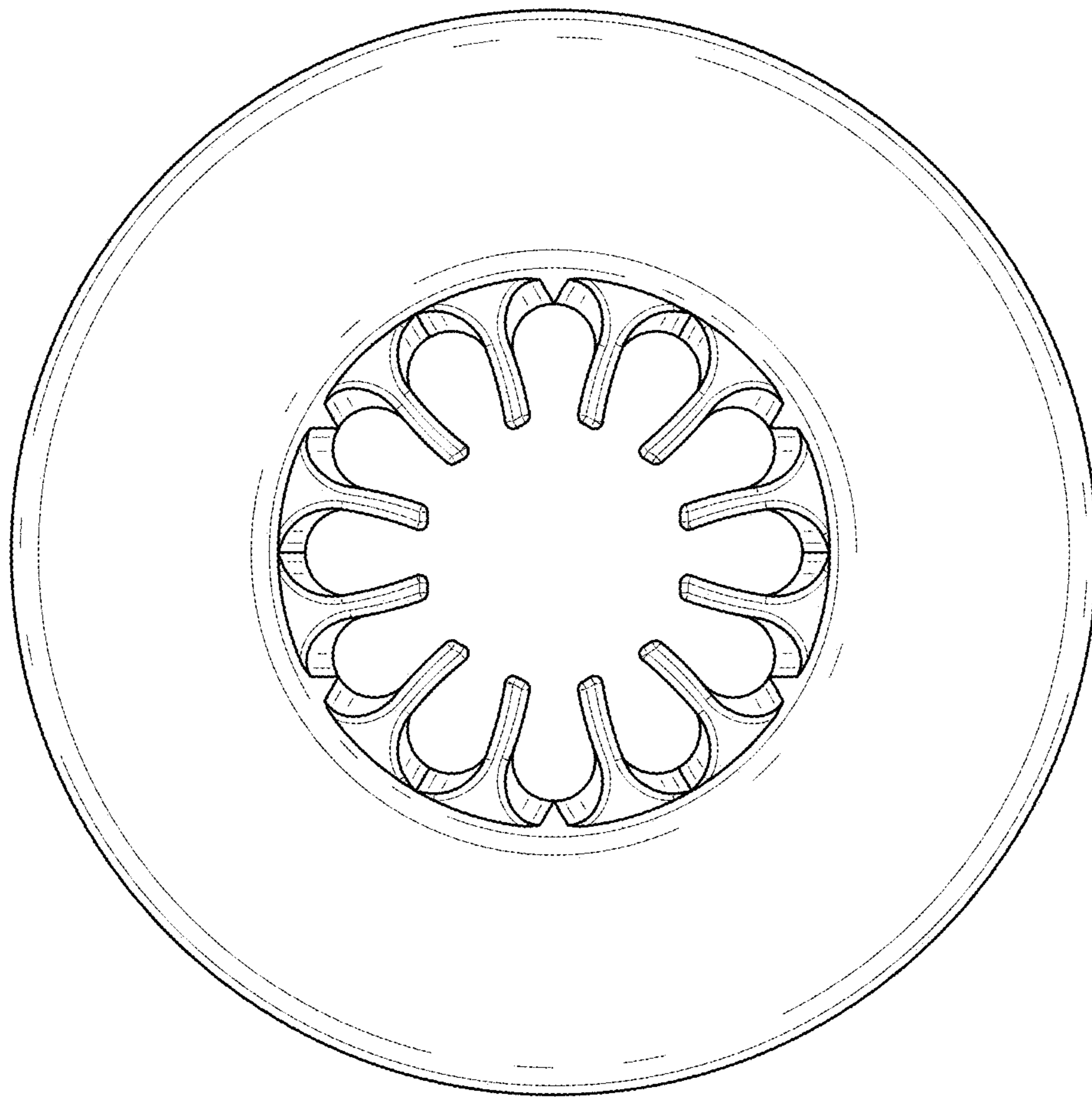


FIG. 10

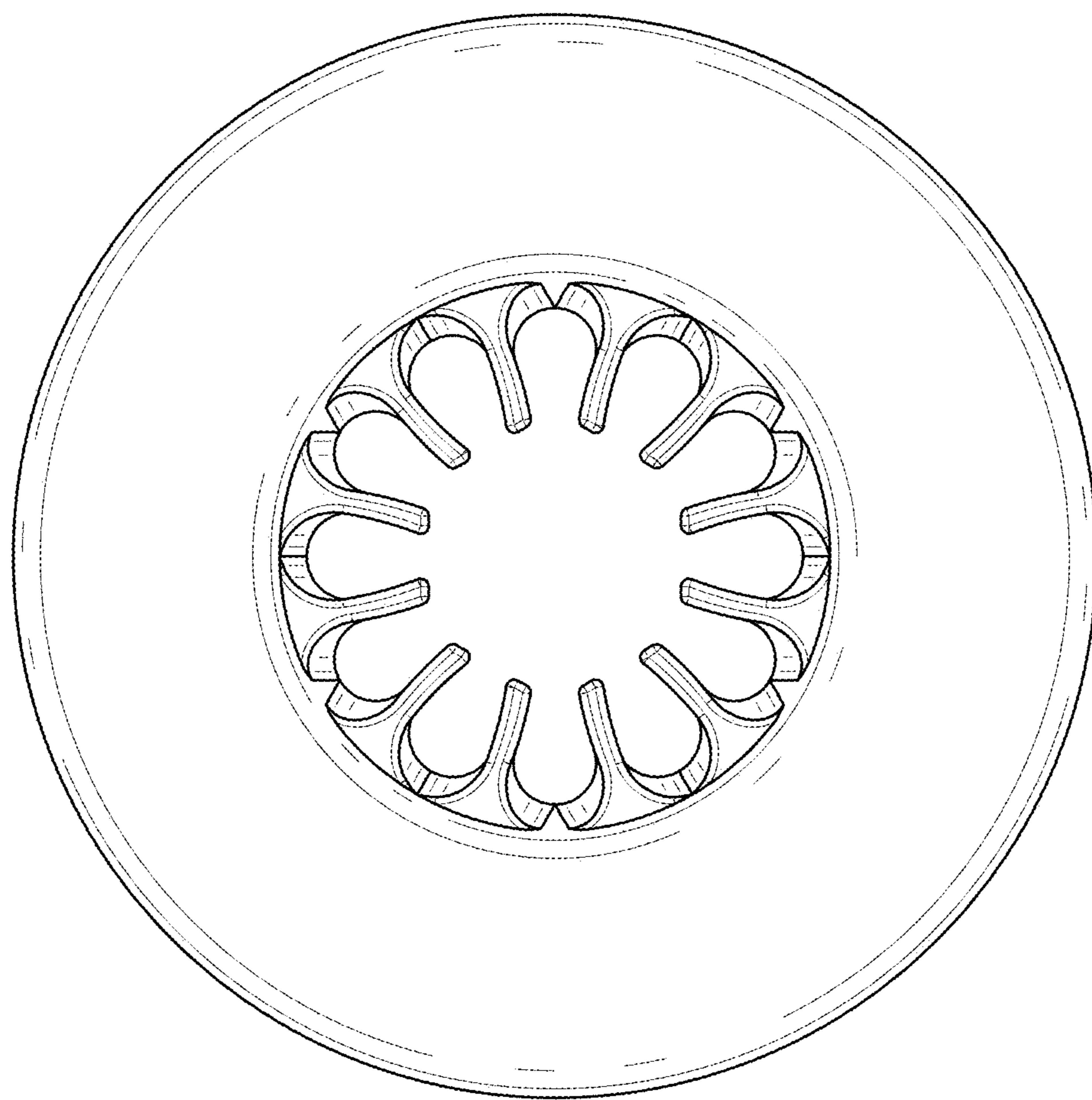


FIG. 11

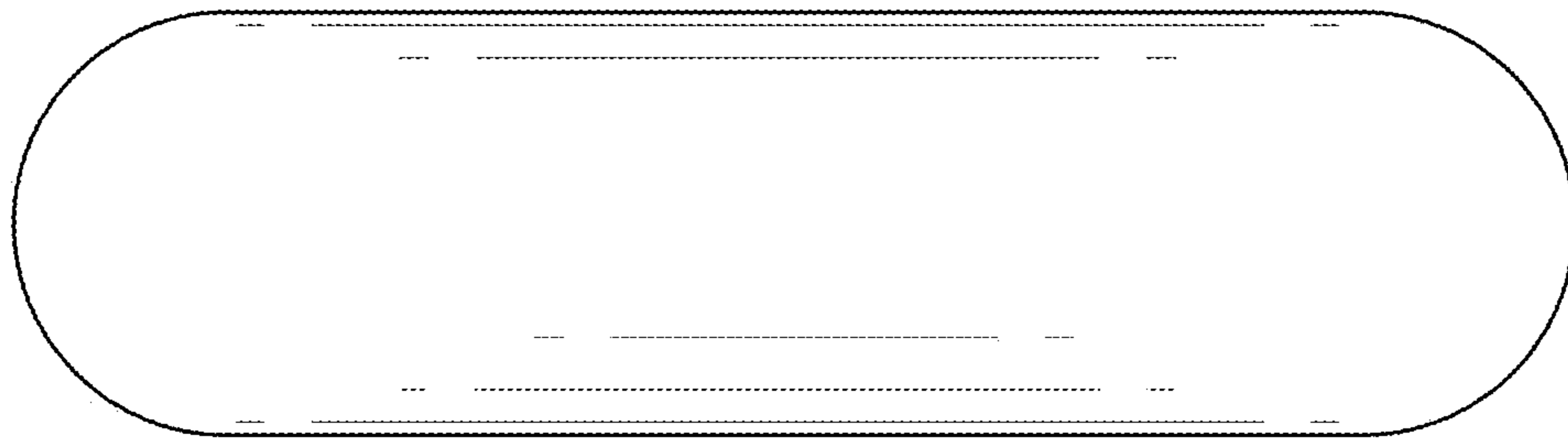


FIG. 12

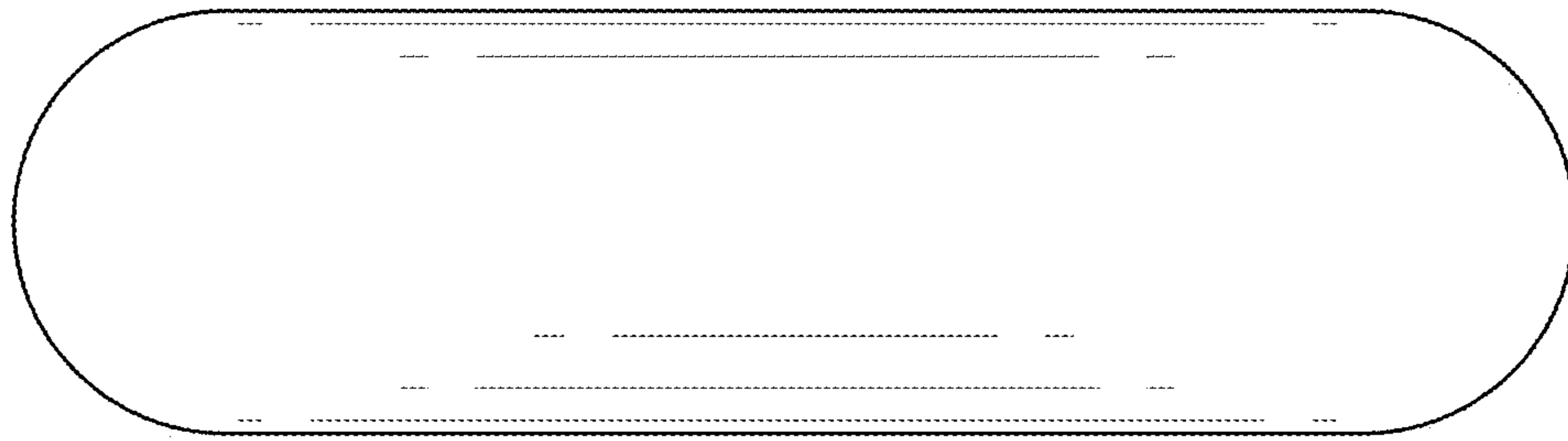


FIG. 13

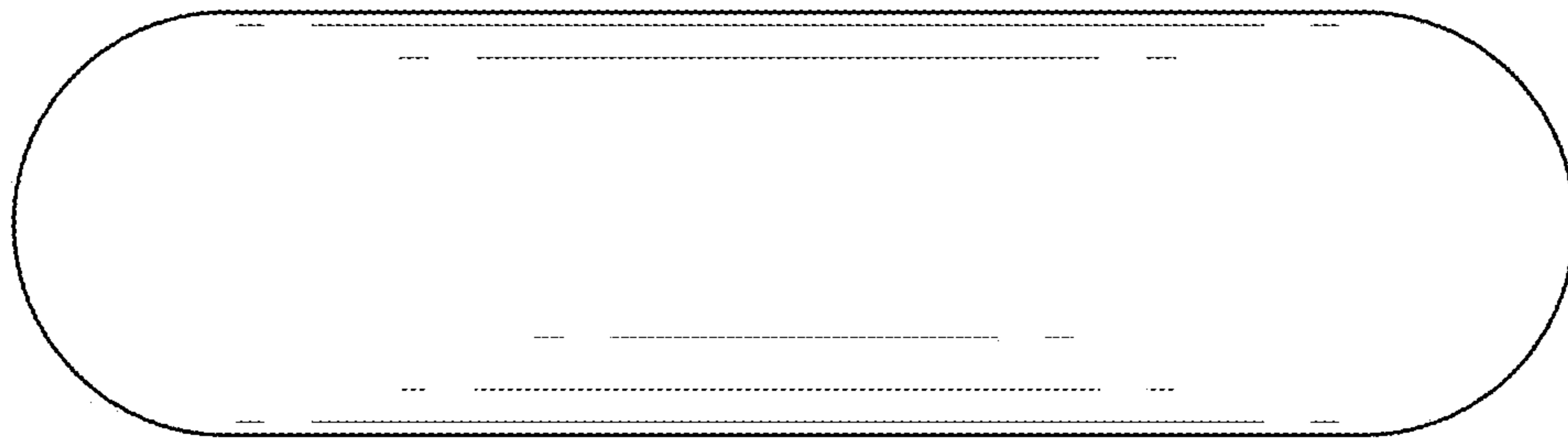


FIG. 14

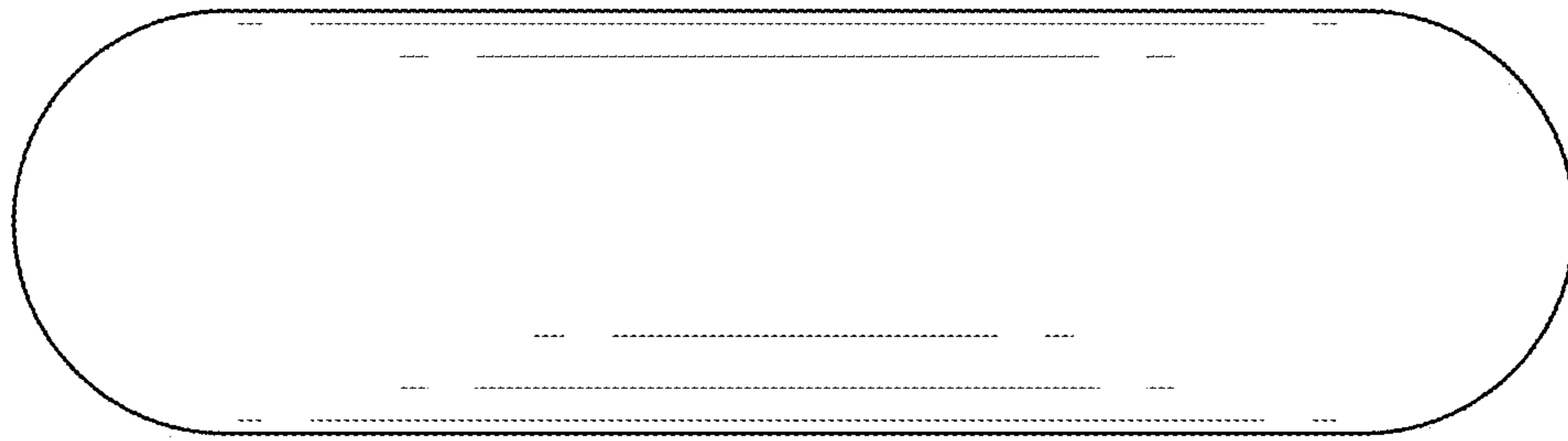


FIG. 15

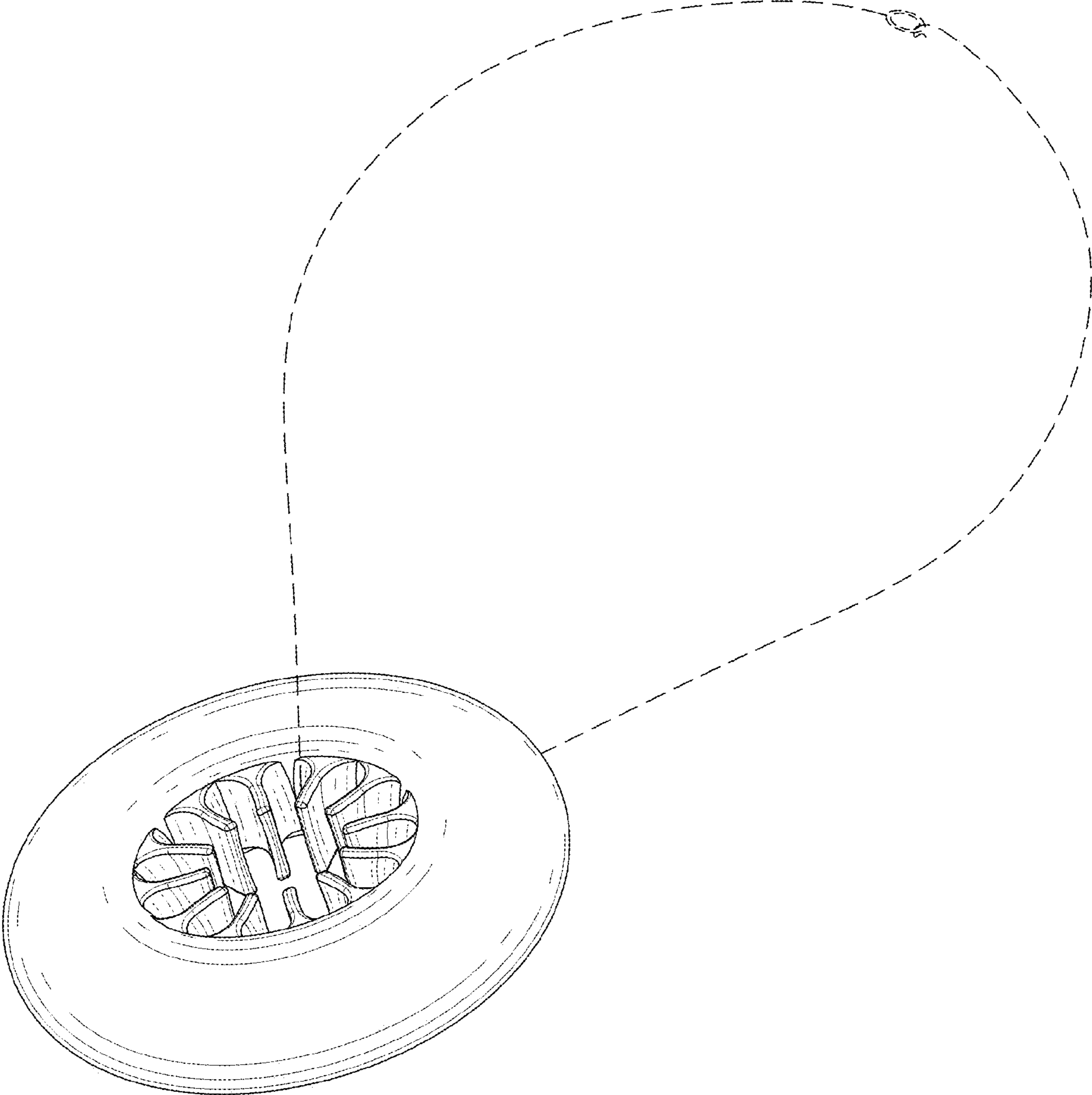


FIG. 16