

US00D936507S

(12) **United States Design Patent**
Zeng

(10) **Patent No.:** **US D936,507 S**

(45) **Date of Patent:** **** Nov. 23, 2021**

(54) **PIEZOELECTRIC ACCELERATION SENSOR**

(71) Applicant: **FATRI UNITED TESTING & CONTROL (QUANZHOU) TECHNOLOGIES CO., LTD.**, Fujian (CN)

(72) Inventor: **Tingfang Zeng**, Xiamen (CN)

(73) Assignee: **FATRI UNITED TESTING & CONTROL (QUANZHOU) TECHNOLOGIES CO., LTD.**, Fujian (CN)

(**) Term: **15 Years**

(21) Appl. No.: **29/705,737**

(22) Filed: **Sep. 15, 2019**

(30) **Foreign Application Priority Data**

Jun. 21, 2019 (CN) 201930344285.4

(51) **LOC (13) Cl.** **10-04**

(52) **U.S. Cl.**
USPC **D10/96; D10/98; D8/81**

(58) **Field of Classification Search**
USPC D10/96, 98; D8/27, 29, 70, 75, 81; D15/140
CPC H01L 41/1132; H01L 41/0475; H01L 41/0472; H01L 41/053; H01L 41/187; H01L 41/0835; H01L 41/0533; H01R 13/504; H01R 24/18; H01R 2201/20; H01R 13/005; G01P 1/023; G01P 15/09; G01P 15/0002; G01P 15/0022; G01P 15/0907; G01P 15/08; G01P 15/0802; G01P 15/0915

See application file for complete search history.

(56) **References Cited**

U.S. PATENT DOCUMENTS

3,591,861 A * 7/1971 Sonderegger G01L 1/16 310/344
4,075,525 A * 2/1978 Birchall G01L 1/16 310/329

4,941,243 A * 7/1990 Cleveland G01P 15/0915 29/25.35
4,947,690 A * 8/1990 Cleveland G01P 1/023 73/493
5,572,081 A * 11/1996 Starck G01P 15/0915 310/329
5,847,278 A * 12/1998 Judd G01P 1/02 73/493
D883,827 S * 5/2020 Nie H01R 13/504 D10/96

(Continued)

Primary Examiner — Antoine Duval Davis

(74) *Attorney, Agent, or Firm* — Pokalsky Wilczynski Brozek LLP

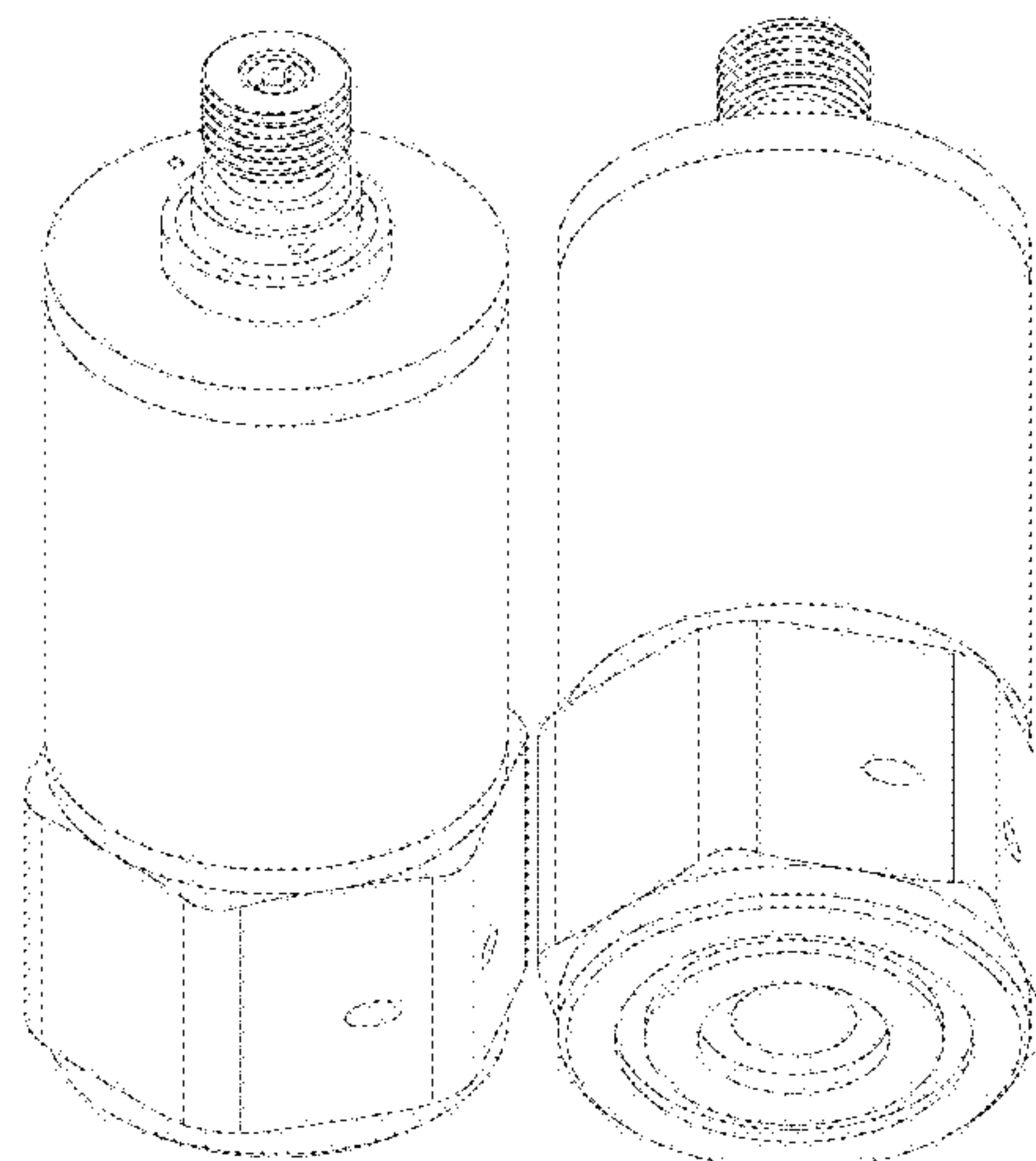
(57) **CLAIM**

The ornamental design for a piezoelectric acceleration sensor, as shown and described.

DESCRIPTION

FIG. 1 is a perspective view of a piezoelectric acceleration sensor according to my new design.
FIG. 2 is another perspective view of the piezoelectric acceleration sensor as shown in FIG. 1.
FIG. 3 is a front view of the piezoelectric acceleration sensor as shown in FIG. 1.
FIG. 4 is a back view of the piezoelectric acceleration sensor as shown in FIG. 1.
FIG. 5 is a left side view of the piezoelectric acceleration sensor as shown in FIG. 1.
FIG. 6 is a right side view of the piezoelectric acceleration sensor as shown in FIG. 1.
FIG. 7 is a top view of the piezoelectric acceleration sensor as shown in FIG. 1; and,
FIG. 8 is a bottom view of the piezoelectric acceleration sensor as shown in FIG. 1.

1 Claim, 8 Drawing Sheets



(56)

References Cited

U.S. PATENT DOCUMENTS

D889,292 S * 7/2020 Nie G01H 1/003
D10/96
D890,004 S * 7/2020 Nie G01P 15/0915
D10/96
D907,573 S * 1/2021 Nie G01P 1/02
D13/103
2020/0025785 A1* 1/2020 Zusman G01D 11/30
2020/0049732 A1* 2/2020 Nie G01P 15/0915
2020/0058426 A1* 2/2020 Nie H01F 7/0236
2020/0174034 A1* 6/2020 Nie G01P 15/0915
2020/0182901 A1* 6/2020 Nie G01H 1/003
2020/0209278 A1* 7/2020 Nie G01P 15/09
2020/0309811 A1* 10/2020 Nie G01P 15/09
2020/0400710 A1* 12/2020 Nie H01R 13/504
2021/0011050 A1* 1/2021 Nie H01L 41/0533
2021/0011051 A1* 1/2021 Nie H01L 41/1132
2021/0072092 A1* 3/2021 Nie G01K 1/14

* cited by examiner

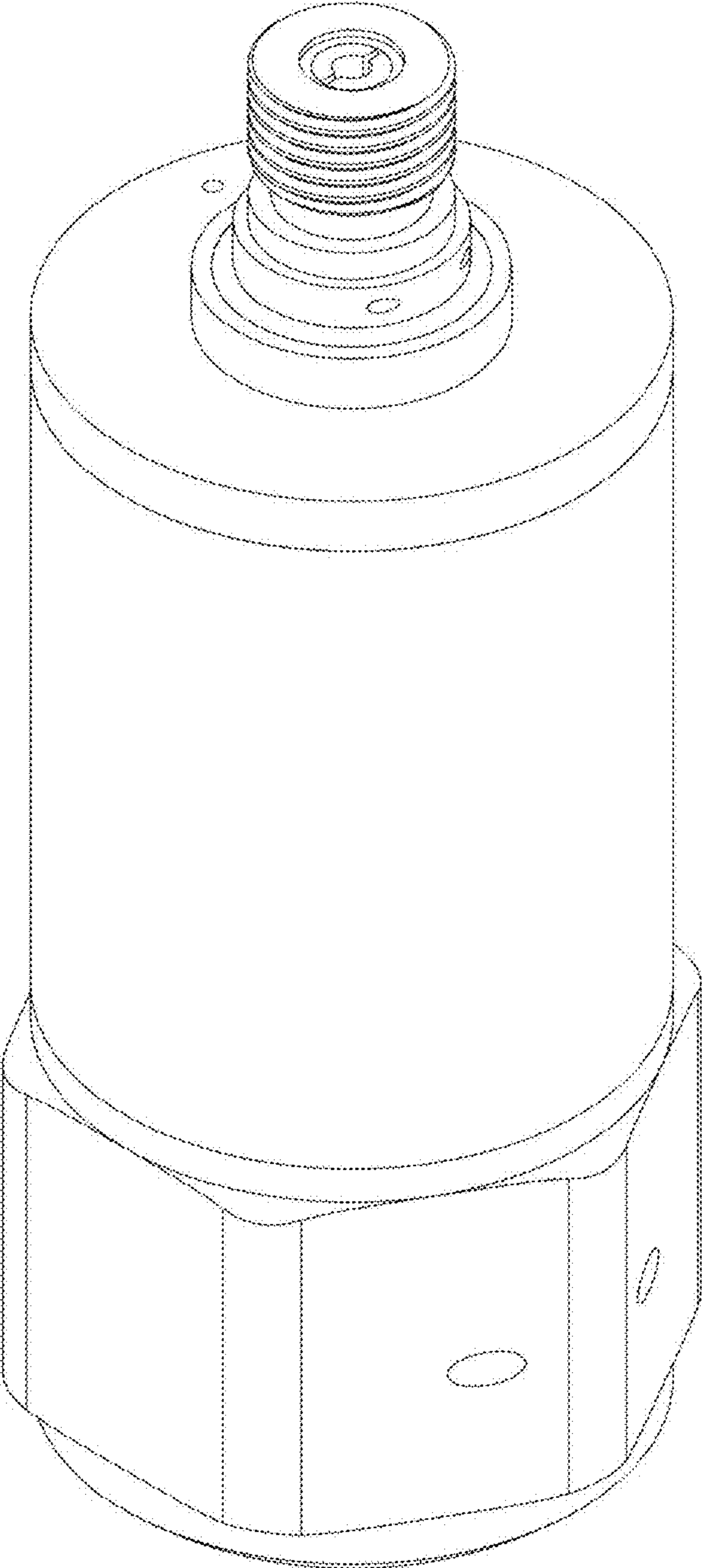


Fig. 1

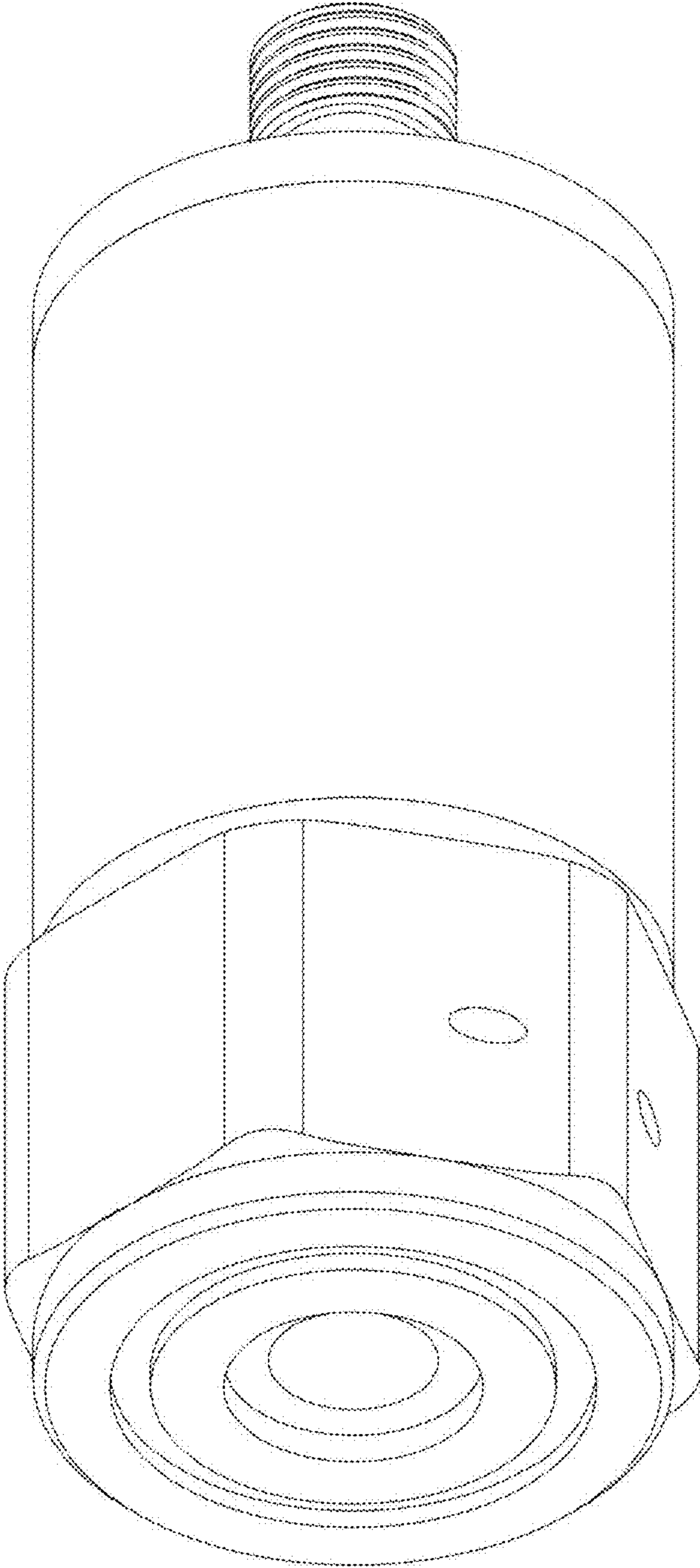


Fig. 2

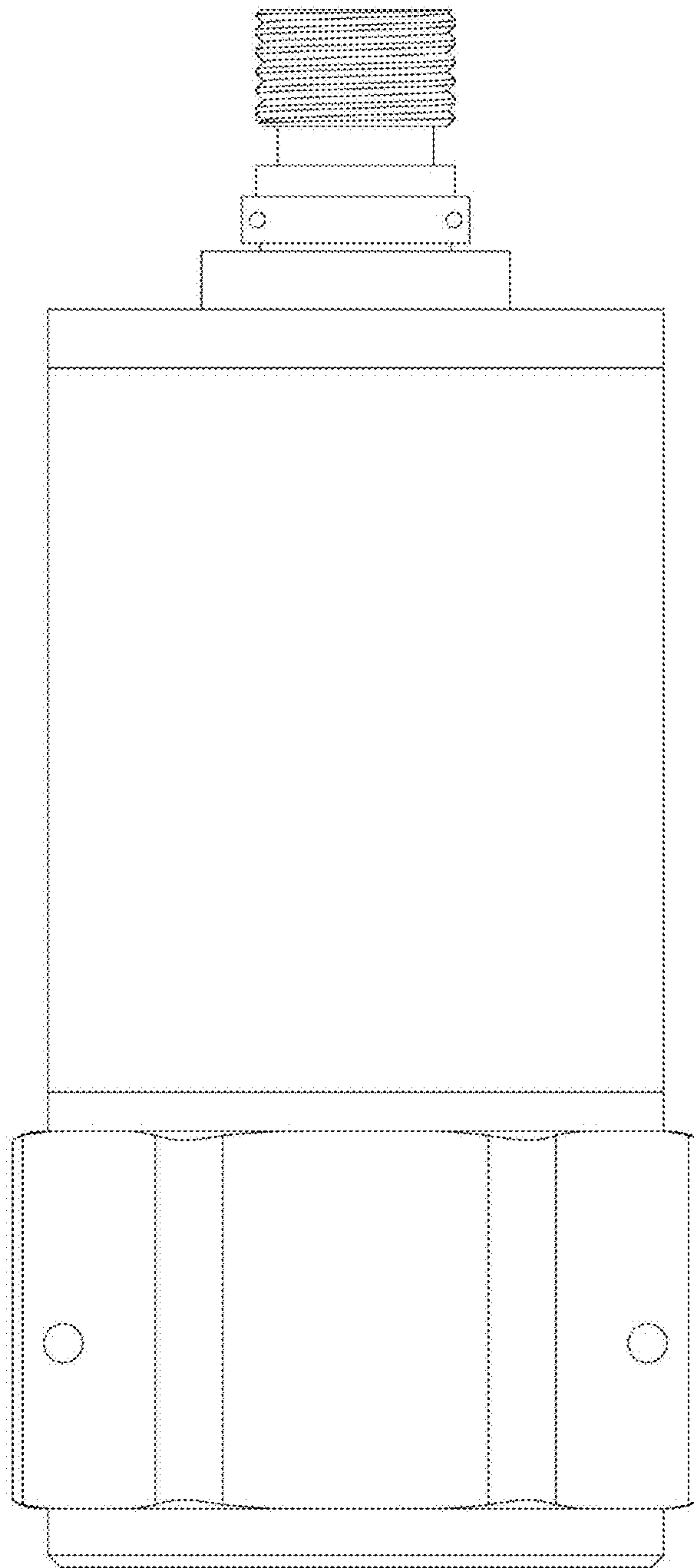


Fig. 3

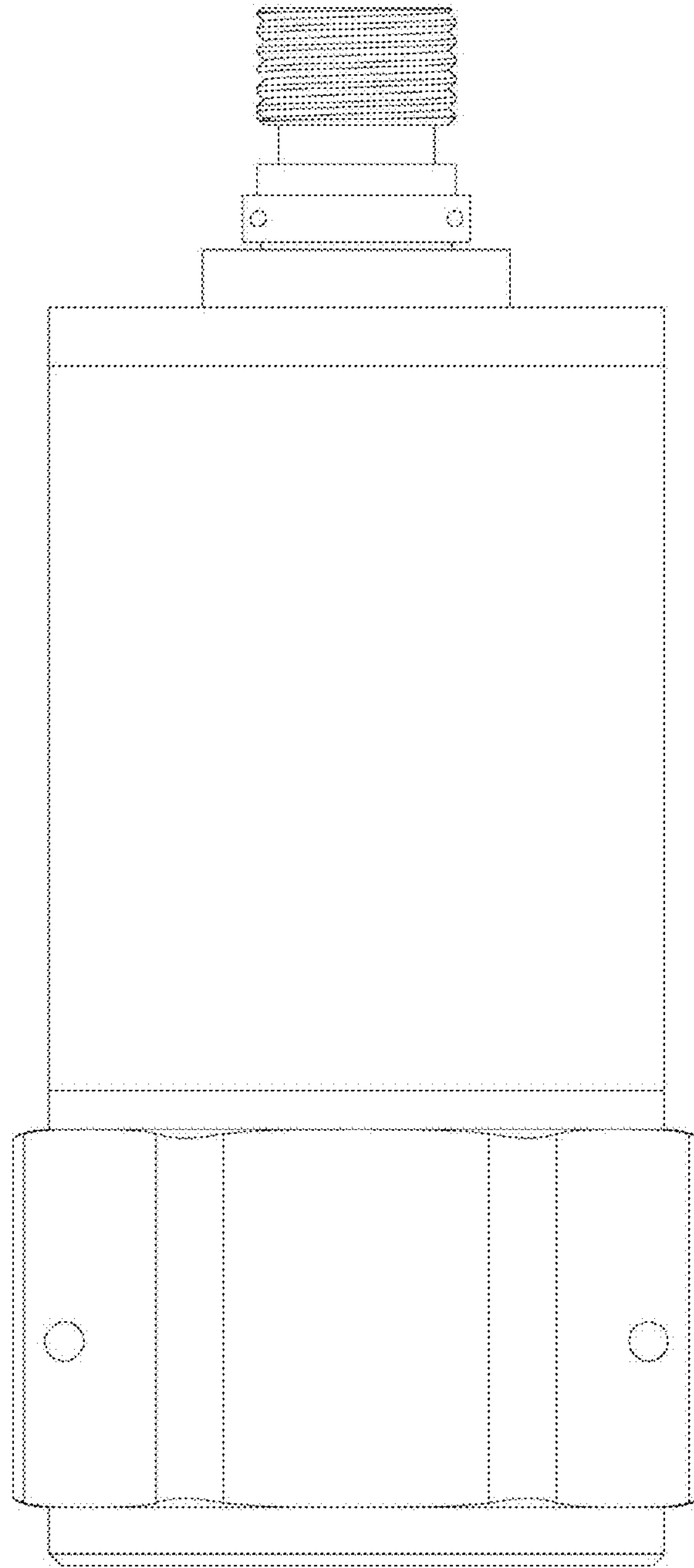


Fig. 4

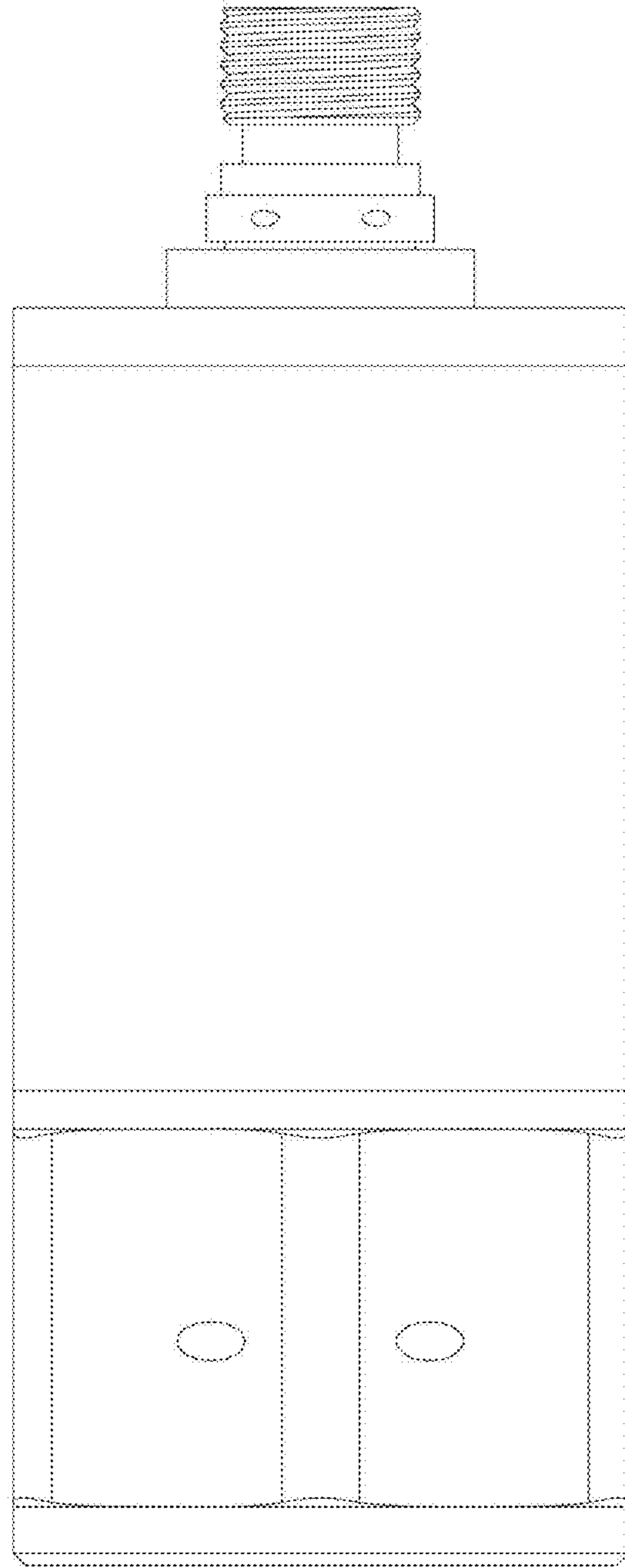


Fig. 5

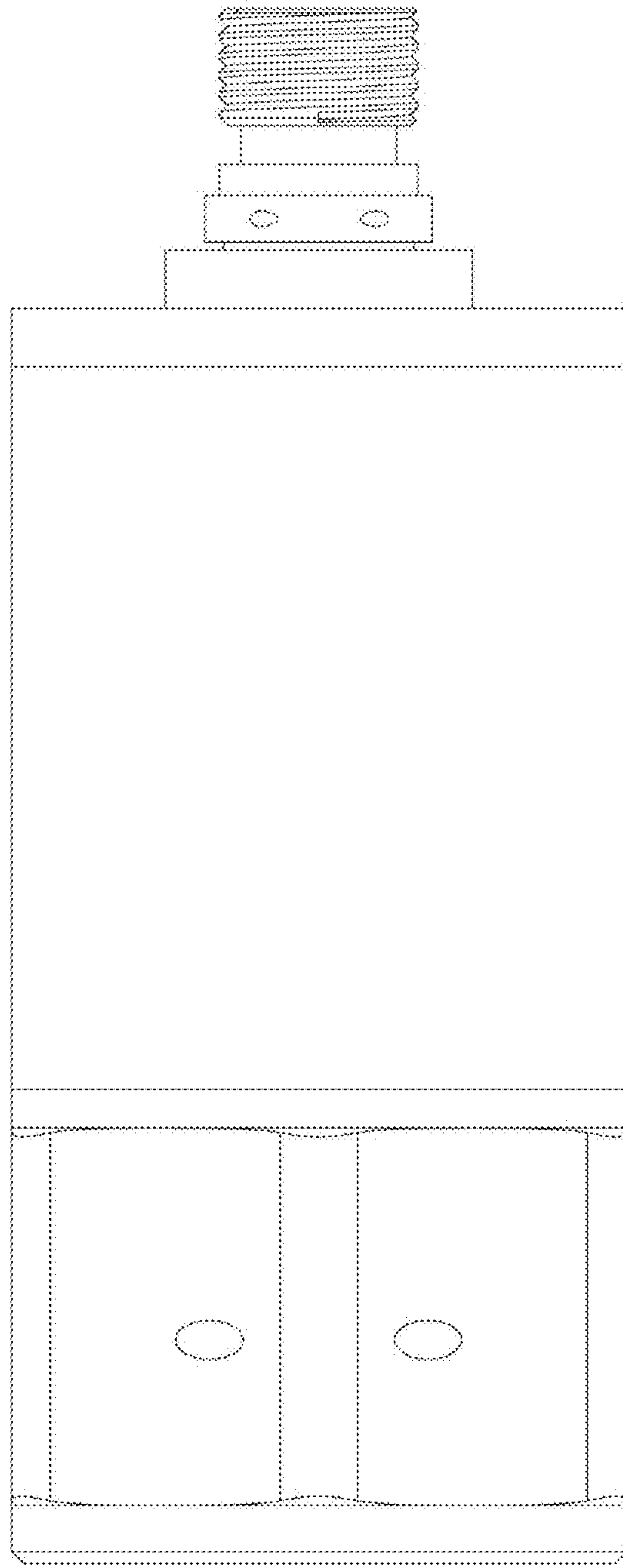


Fig. 6

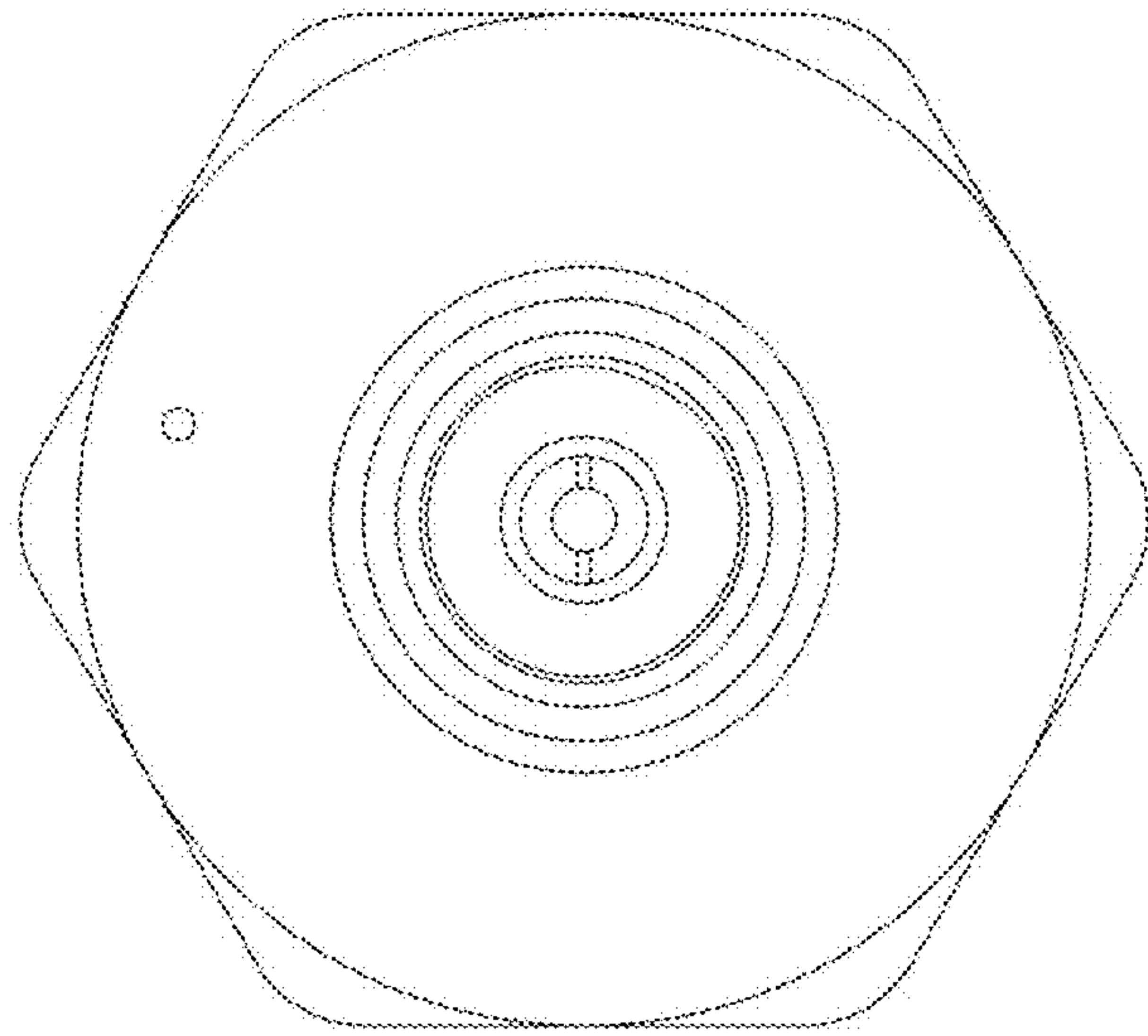


Fig. 7

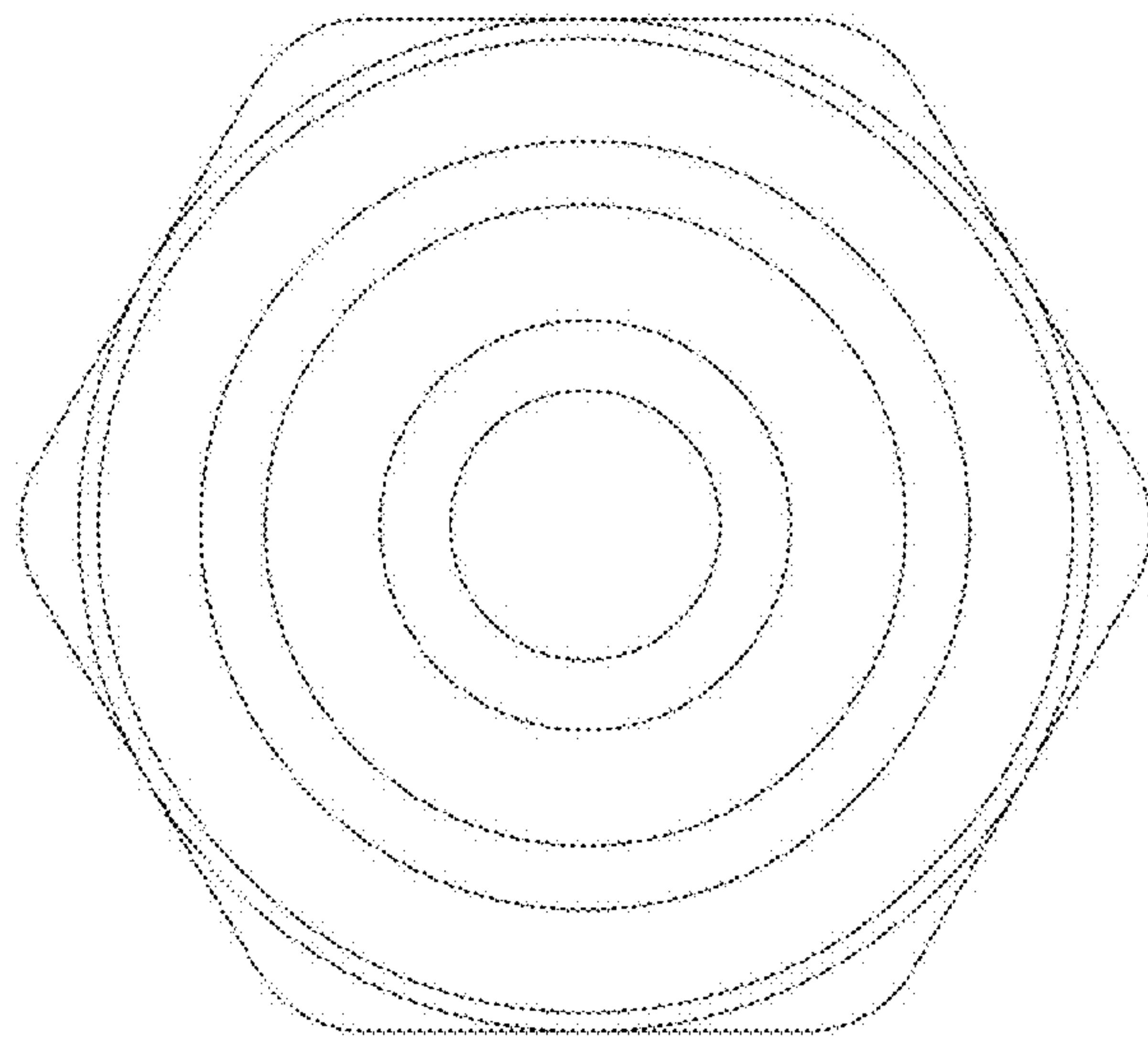


Fig. 8