



US00D936502S

(12) **United States Design Patent**  
**Wojciechowski et al.**

(10) **Patent No.:** **US D936,502 S**  
(45) **Date of Patent:** **\*\* Nov. 23, 2021**

- (54) **BOX BEAM LEVEL**
- (71) Applicant: **Johnson Level & Tool Mfg. Co., Inc.**,  
Mequon, WI (US)
- (72) Inventors: **Timothy J. Wojciechowski**, Hubertus,  
WI (US); **David Mencel**, Menomonee  
Falls, WI (US)
- (73) Assignee: **Johnson Level & Tool Mfg. Co., Inc.**,  
Mequon, WI (US)
- (\*\*) Term: **15 Years**
- (21) Appl. No.: **29/706,804**
- (22) Filed: **Sep. 24, 2019**
- (51) **LOC (13) Cl.** ..... **10-04**
- (52) **U.S. Cl.**  
USPC ..... **D10/69**
- (58) **Field of Classification Search**  
USPC ..... D10/69  
CPC . G01C 9/00; G01C 9/005; G01C 9/02; G01C  
9/04; G01C 9/06; G01C 9/08; G01C  
9/10; G01C 9/12; G01C 9/14; G01C  
9/16; G01C 9/18; G01C 9/20; G01C  
9/22; G01C 9/24; G01C 9/26; G01C  
9/28; G01C 9/30; G01C 9/32; G01C  
9/34; G01C 9/36; G01C 2009/005; G01C  
2009/062; G01C 2009/064; G01C  
2009/066; G01C 2009/068; G01C  
2009/102; G01C 2009/105; G01C  
2009/107; G01C 2009/182; G01C  
2009/185; G01C 2009/187  
See application file for complete search history.

- D469,370 S 1/2003 Gruetzmacher et al.
- D493,737 S 8/2004 Nickel
- D498,132 S 11/2004 Lai
- D513,391 S 1/2006 Kim
- D521,399 S 5/2006 Johnson et al.
- 7,073,270 B2 7/2006 Kim
- D555,523 S 11/2007 Nickel et al.
- D573,908 S 7/2008 Levinson
- D582,808 S 12/2008 Cook
- 7,509,749 B1 3/2009 Stefanko
- D598,308 S 8/2009 Gofer
- D598,309 S 8/2009 Gofer
- 7,797,848 B2 9/2010 Cobb et al.
- D633,400 S 3/2011 Wojciechowski et al.
- D634,221 S 3/2011 Wojciechowski et al.
- D643,320 S 8/2011 Lewis et al.
- D646,594 S 10/2011 Allemand
- D646,595 S 10/2011 Allemand
- D646,596 S 10/2011 Allemand
- D656,425 S 3/2012 Wojciechowski et al.
- 8,925,212 B2 1/2015 Allemand
- D730,207 S 5/2015 Ben Josef et al.
- D735,064 S 7/2015 Wojciechowski et al.

(Continued)

*Primary Examiner* — Antoine Duval Davis  
(74) *Attorney, Agent, or Firm* — Boyle Fredrickson S.C.

(57) **CLAIM**

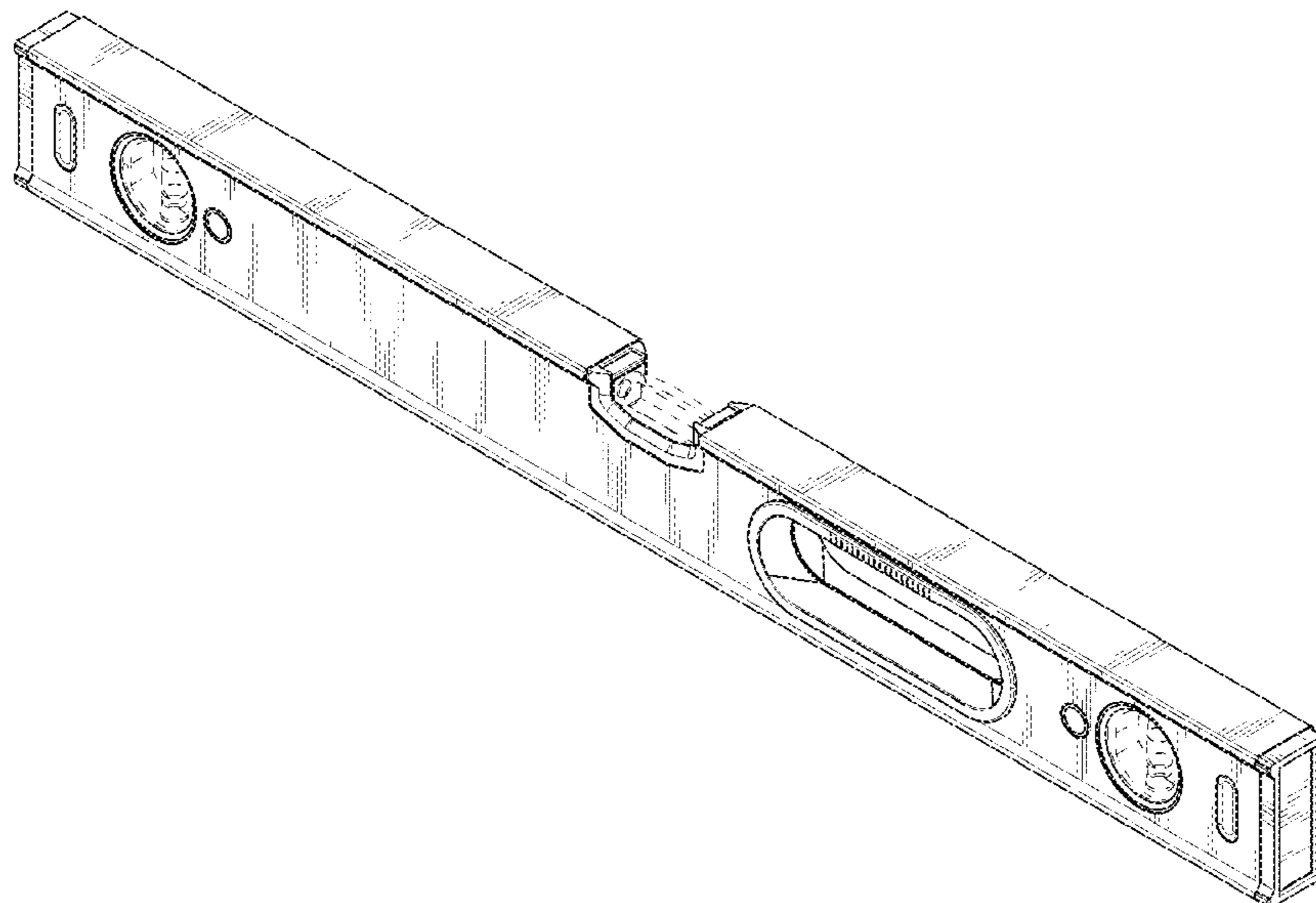
The ornamental design of a box beam level, as shown and described.

**DESCRIPTION**

FIG. 1 is an isometric view of a box beam level incorporating our new design, wherein the portions illustrated in phantom form no part of the claimed design; FIG. 2 is a first side elevation view thereof; FIG. 3 is a second, opposite side elevation view thereof; FIG. 4 is a first end elevation view thereof; FIG. 5 is a second, opposite end elevation view thereof; FIG. 6 is a top plan view thereof; and, FIG. 7 is a bottom plan view thereof.

**1 Claim, 6 Drawing Sheets**

- (56) **References Cited**  
U.S. PATENT DOCUMENTS  
D364,104 S 11/1995 Johnson  
D459,251 S 6/2002 Scheyer



(56)

**References Cited**

U.S. PATENT DOCUMENTS

D735,065 S 7/2015 Wojciechowski et al.  
D743,281 S 11/2015 Wojciechowski et al.  
D750,511 S \* 3/2016 Wojciechowski ..... G01C 9/36  
D10/69  
D751,430 S 3/2016 Johnson et al.  
D753,281 S \* 4/2016 Baston ..... G01C 25/00  
D23/382  
D813,060 S \* 3/2018 Wojciechowski ..... D10/69  
D825,353 S \* 8/2018 Wojciechowski ..... D10/69  
10,731,982 B2 \* 8/2020 Neitzell ..... G01C 9/36  
10,928,197 B2 \* 2/2021 Wojciechowski ..... G01C 9/34  
2006/0248738 A1 11/2006 Tran et al.  
2016/0138918 A1 \* 5/2016 Neitzell ..... G01C 25/00  
33/381

\* cited by examiner

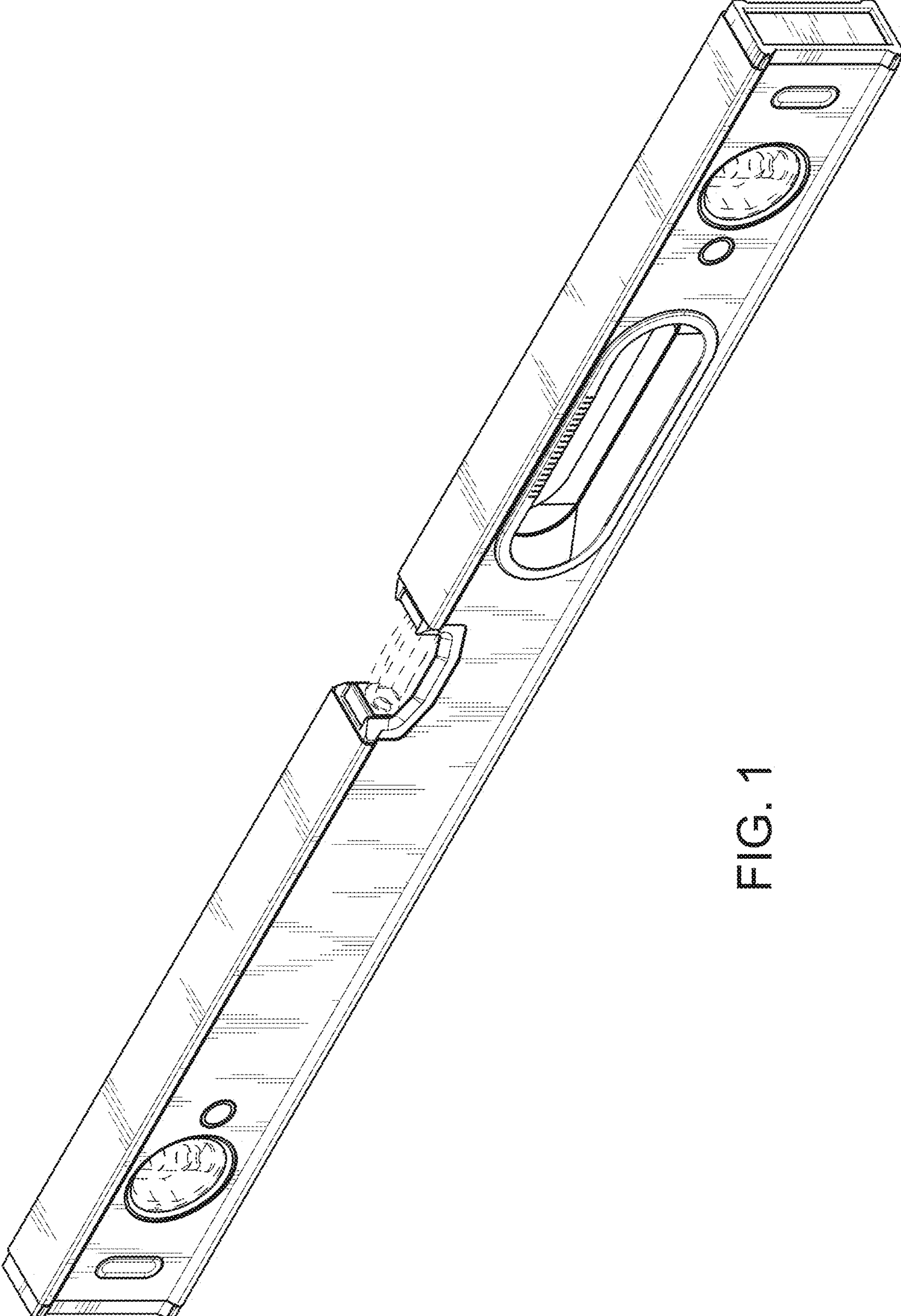


FIG. 1

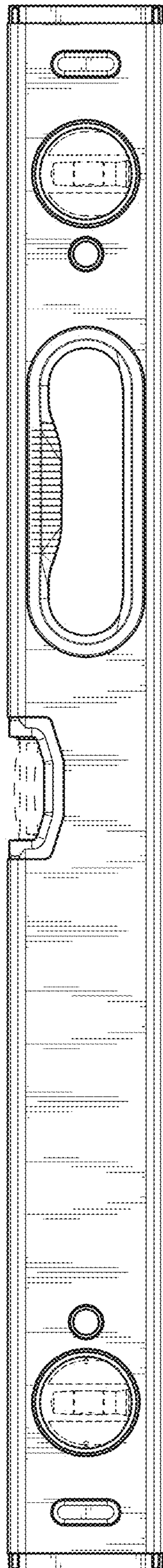


FIG. 2



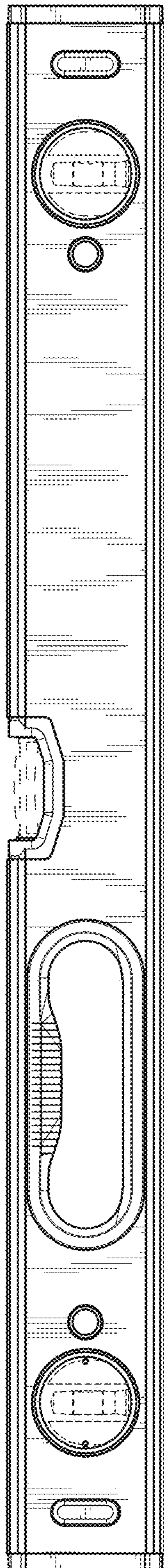


FIG. 3

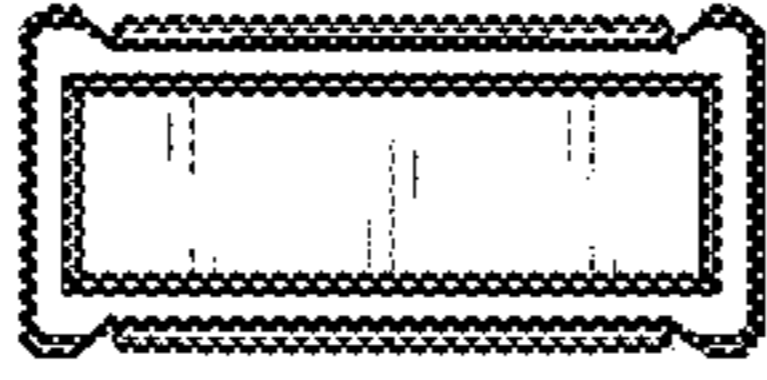


FIG. 5

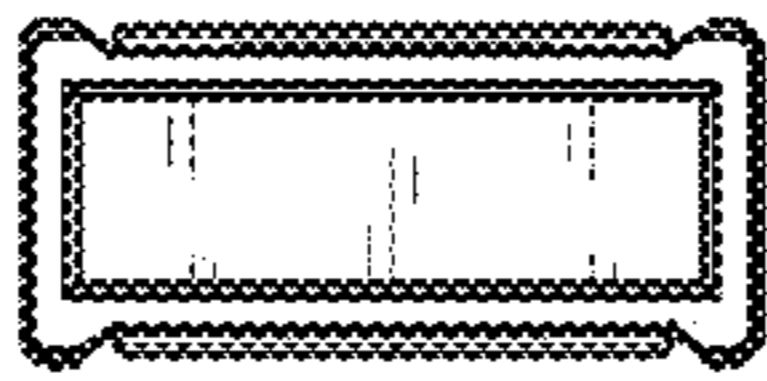


FIG. 4



FIG. 6

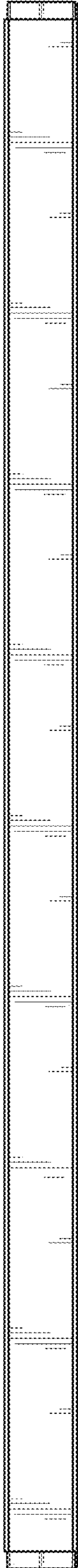


FIG. 7