



US00D936500S

(12) **United States Design Patent** (10) **Patent No.:** **US D936,500 S**
Wojciechowski et al. (45) **Date of Patent:** **** Nov. 23, 2021**

(54) **LEVEL**

(71) Applicant: **Johnson Level & Tool Mfg. Co., Inc.**,
Mequon, WI (US)

(72) Inventors: **Timothy J. Wojciechowski**, Hubertus,
WI (US); **David Mencil**, Menomonee
Falls, WI (US)

(73) Assignee: **Johnson Level & Tool Mfg. Co., Inc.**,
Mequon, WI (US)

(**) Term: **15 Years**

(21) Appl. No.: **29/706,792**

(22) Filed: **Sep. 24, 2019**

(51) **LOC (13) Cl.** **10-04**

(52) **U.S. Cl.**
USPC **D10/69**

(58) **Field of Classification Search**
USPC D10/69
CPC . G01C 9/00; G01C 9/005; G01C 9/02; G01C
9/04; G01C 9/06; G01C 9/08; G01C
9/10; G01C 9/12; G01C 9/14; G01C
9/16; G01C 9/18; G01C 9/20; G01C
9/22; G01C 9/24; G01C 9/26; G01C
9/28; G01C 9/30; G01C 9/32; G01C
9/34; G01C 9/36; G01C 2009/005; G01C
2009/062; G01C 2009/064; G01C
2009/066; G01C 2009/068; G01C
2009/102; G01C 2009/105; G01C
2009/107; G01C 2009/182; G01C
2009/185; G01C 2009/187

See application file for complete search history.

(56) **References Cited**

U.S. PATENT DOCUMENTS

D521,399 S	5/2006	Johnson et al.	
D537,000 S	2/2007	Kim	
D555,523 S	11/2007	Nickel et al.	
D598,309 S	8/2009	Gofer	
D633,400 S	3/2011	Wojciechowski et al.	
D634,221 S	3/2011	Wojciechowski et al.	
8,914,987 B2	12/2014	Sanchez	
D750,511 S *	3/2016	Wojciechowski G01C 9/36 D10/69
D753,281 S *	4/2016	Baston G01C 25/00 D23/382
D813,060 S *	3/2018	Wojciechowski D10/69
D825,353 S *	8/2018	Wojciechowski D10/69
10,731,982 B2 *	8/2020	Neitzell G01C 9/36
10,928,197 B2 *	2/2021	Wojciechowski G01C 9/34
2016/0138918 A1 *	5/2016	Neitzell G01C 25/00 33/381

* cited by examiner

Primary Examiner — Antoine Duval Davis

(74) *Attorney, Agent, or Firm* — Boyle Fredrickson S.C.

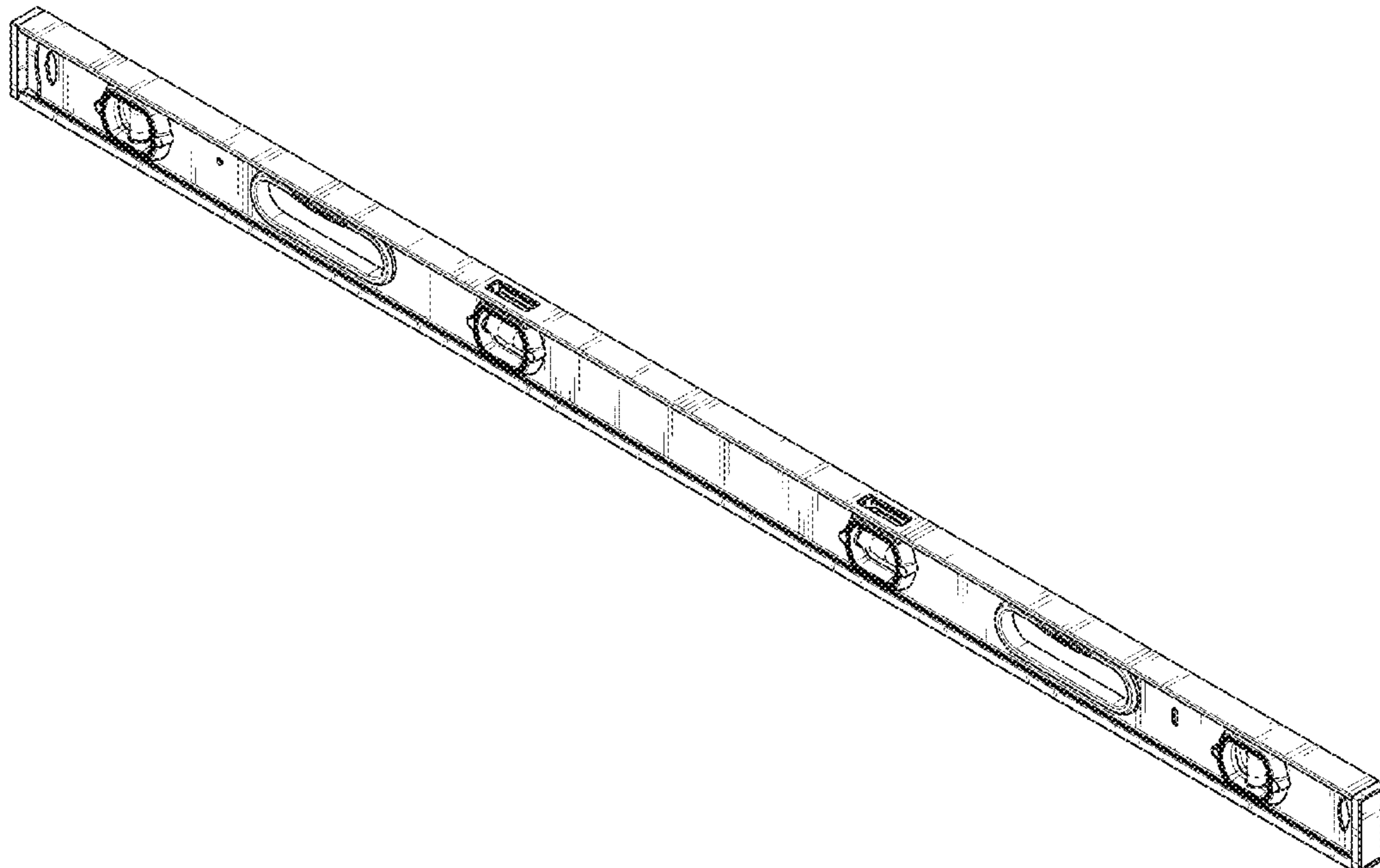
(57) **CLAIM**

The ornamental design of a level, as shown and described.

DESCRIPTION

FIG. 1 is an isometric view of a level incorporating our new design, wherein the portions illustrated in phantom form no part of the claimed design;
FIG. 2 is a first side elevation view thereof;
FIG. 3 is a second, opposite side elevation view thereof;
FIG. 4 is a first end elevation view thereof;
FIG. 5 is a second, opposite end elevation view thereof;
FIG. 6 is a top plan view thereof; and,
FIG. 7 is a bottom plan view thereof.

1 Claim, 6 Drawing Sheets



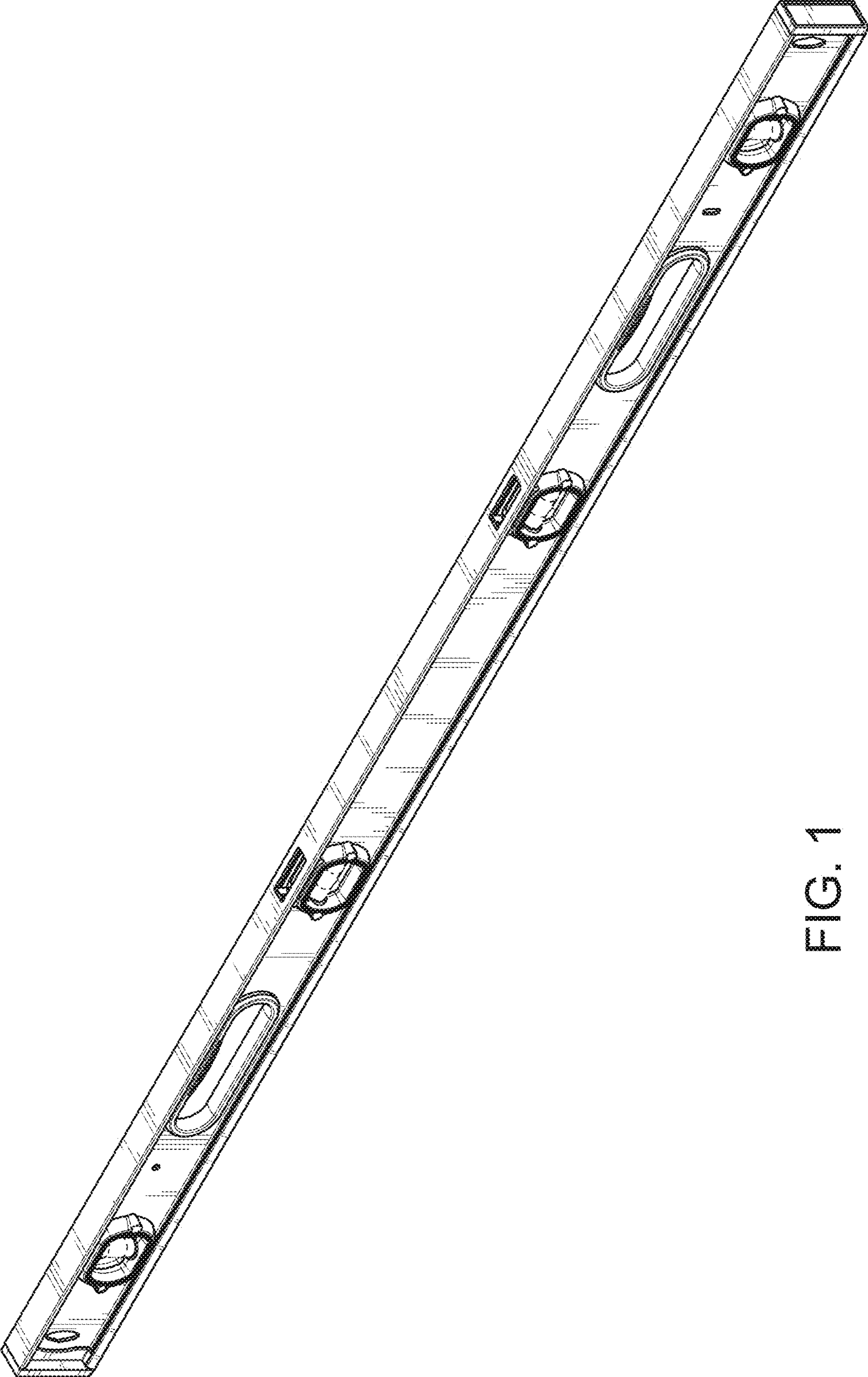


FIG. 1

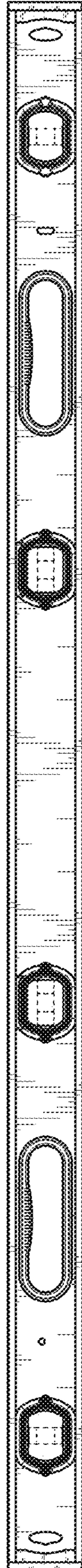


FIG. 2

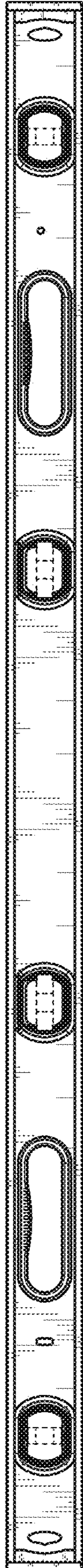


FIG. 3



FIG. 5

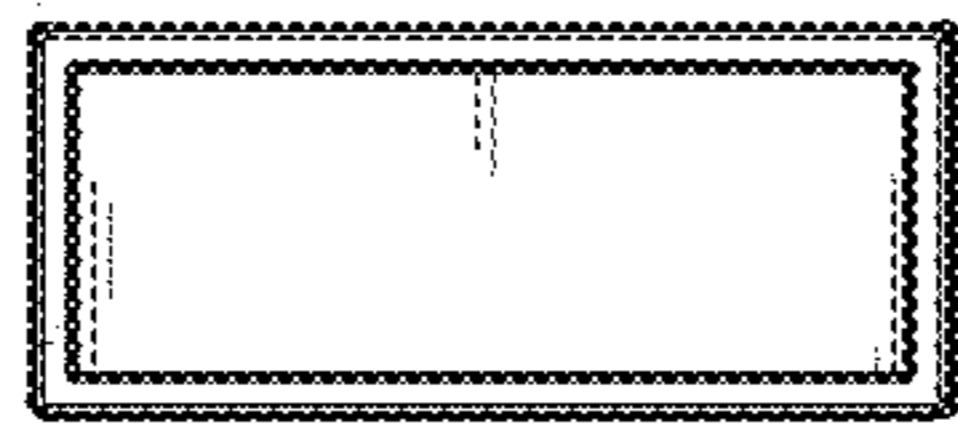


FIG. 4



FIG. 6



FIG. 7