



US00D936497S

(12) **United States Design Patent** (10) **Patent No.:** **US D936,497 S**  
**Wojciechowski et al.** (45) **Date of Patent:** **\*\* Nov. 23, 2021**

(54) **LEVEL**

(71) Applicant: **Johnson Level & Tool Mfg. Co., Inc.**,  
Mequon, WI (US)

(72) Inventors: **Timothy J. Wojciechowski**, Hubertus,  
WI (US); **David Mencil**, Menomonee  
Falls, WI (US)

(73) Assignee: **Johnson Level & Tool Mfg. Co., Inc.**,  
Mequon, WI (US)

(\*\*) Term: **15 Years**

(21) Appl. No.: **29/706,787**

(22) Filed: **Sep. 24, 2019**

(51) **LOC (13) Cl.** ..... **10-04**

(52) **U.S. Cl.**  
USPC ..... **D10/69**

(58) **Field of Classification Search**  
USPC ..... D10/69  
CPC . G01C 9/00; G01C 9/005; G01C 9/02; G01C  
9/04; G01C 9/06; G01C 9/08; G01C  
9/10; G01C 9/12; G01C 9/14; G01C  
9/16; G01C 9/18; G01C 9/20; G01C  
9/22; G01C 9/24; G01C 9/26; G01C  
9/28; G01C 9/30; G01C 9/32; G01C  
9/34; G01C 9/36; G01C 2009/005; G01C  
2009/062; G01C 2009/064; G01C  
2009/066; G01C 2009/068; G01C  
2009/102; G01C 2009/105; G01C  
2009/107; G01C 2009/182; G01C  
2009/185; G01C 2009/187

See application file for complete search history.

4,593,475 A	6/1986	Mayes	
4,829,676 A	5/1989	Waldron	
D301,553 S	6/1989	Makofsky et al.	
4,876,798 A	10/1989	Zimmerman	
D320,360 S	10/1991	Kennedy	
D332,226 S	1/1993	Hutchins et al.	
D355,134 S	2/1995	Kennedy	
D412,857 S	8/1999	Howard et al.	
D415,436 S	10/1999	Martone	
D469,370 S	1/2003	Gruetzmacher et al.	
D472,168 S	3/2003	Levinson	
6,568,095 B2	5/2003	Snyder	
D503,635 S	4/2005	Kallabis	
D507,194 S	7/2005	Budrow et al.	
D513,198 S	12/2005	Levinson	
D519,863 S	5/2006	Kim	
D521,882 S	5/2006	Kim	
7,086,166 B2	8/2006	Helda et al.	
7,152,335 B2	12/2006	Nichols	
D582,302 S	12/2008	Johnson et al.	
7,472,487 B2	1/2009	Tran et al.	
D596,056 S *	7/2009	Scheyer	D10/69
D597,872 S	8/2009	Gofer	

(Continued)

*Primary Examiner* — Antoine Duval Davis  
(74) *Attorney, Agent, or Firm* — Boyle Fredrickson S.C.

(57) **CLAIM**

The ornamental design of a level, as shown and described.

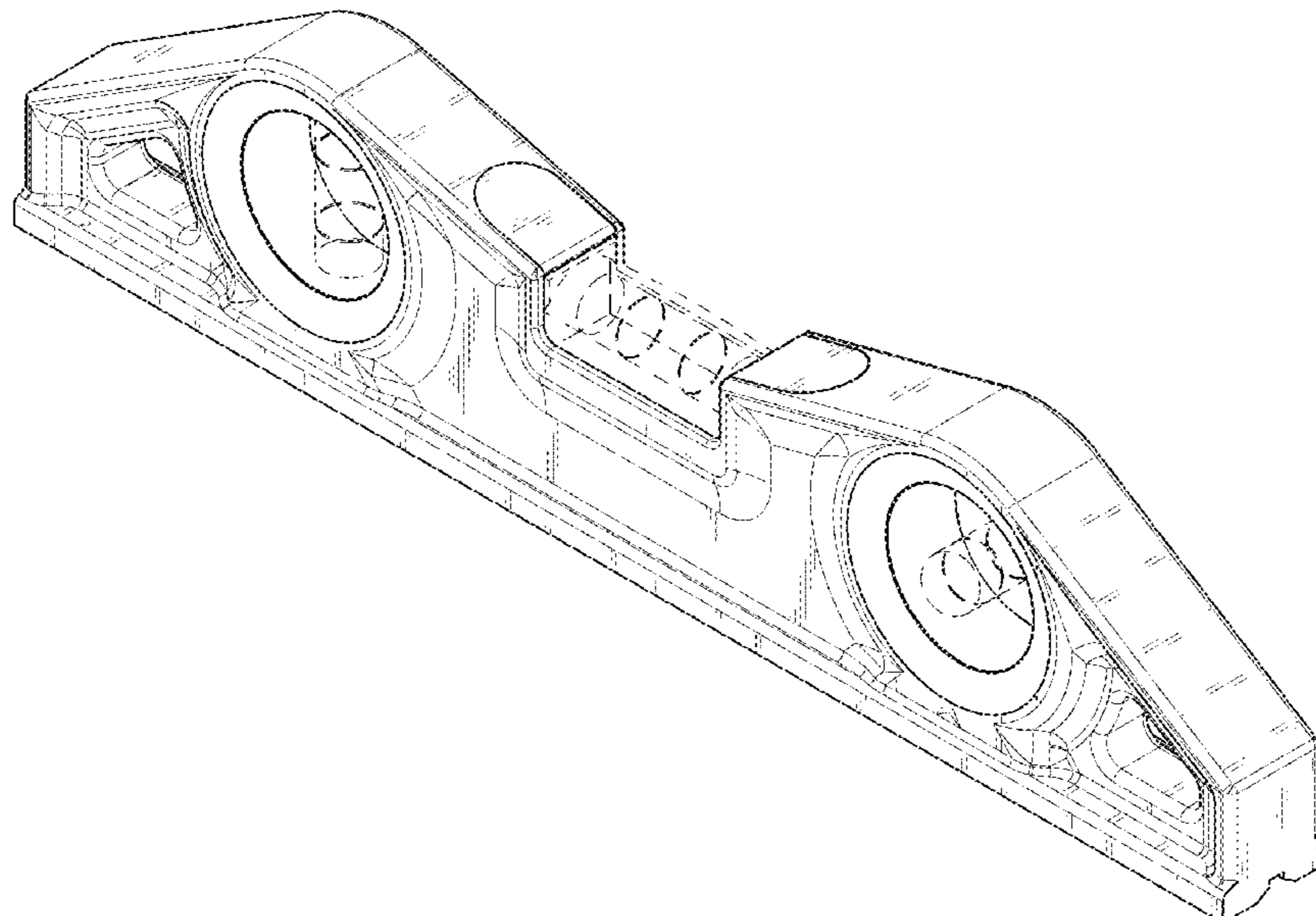
**DESCRIPTION**

FIG. 1 is an isometric view of a level incorporating our new design, wherein the portions illustrated in phantom form no part of the claimed design;  
FIG. 2 is a first side elevation view thereof;  
FIG. 3 is a second, opposite side elevation view thereof;  
FIG. 4 is a first end elevation view thereof;  
FIG. 5 is a second, opposite end elevation view thereof;  
FIG. 6 is a top plan view thereof; and,  
FIG. 7 is a bottom plan view thereof.

**1 Claim, 6 Drawing Sheets**

(56) **References Cited**  
U.S. PATENT DOCUMENTS

D224,663 S	8/1972	de Jong
D280,185 S	8/1985	Wright



(56)

**References Cited**

U.S. PATENT DOCUMENTS

D625,630	S	10/2010	Levinson	
D628,914	S	12/2010	Kim et al.	
7,946,045	B2	5/2011	Allemand	
D644,946	S	9/2011	Silberberg	
D644,947	S	9/2011	Silberberg	
8,061,051	B2	11/2011	Allemand	
D694,659	S	12/2013	Yong et al.	
D704,577	S	* 5/2014	Levinson .....	D10/69
D729,645	S	5/2015	Wojciechowski et al.	
D810,597	S	2/2018	Burge et al.	
D811,247	S	2/2018	Wojciechowski et al.	
2005/0252016	A1	11/2005	Helda et al.	
2008/0282562	A1	11/2008	Allemand	

\* cited by examiner

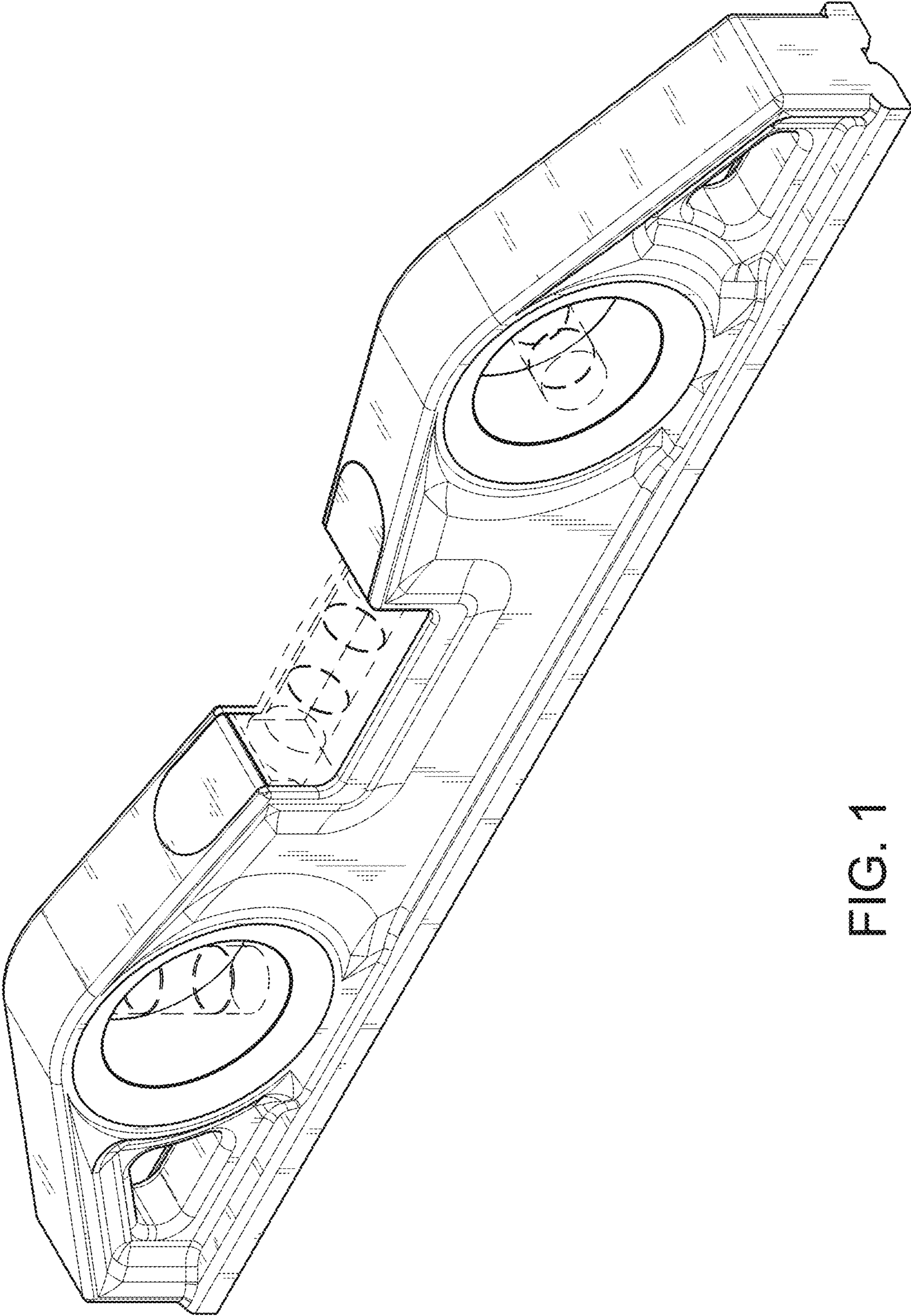


FIG. 1



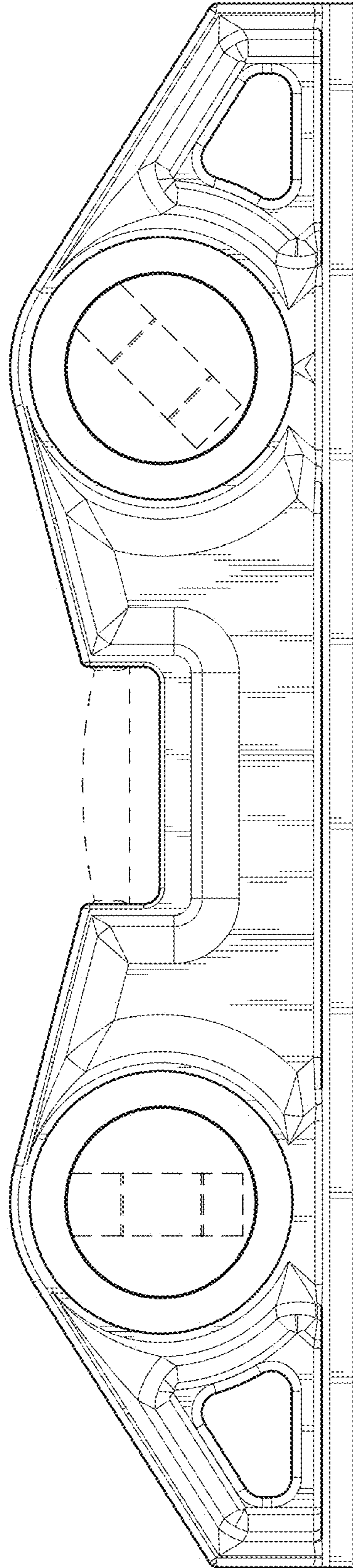


FIG. 2

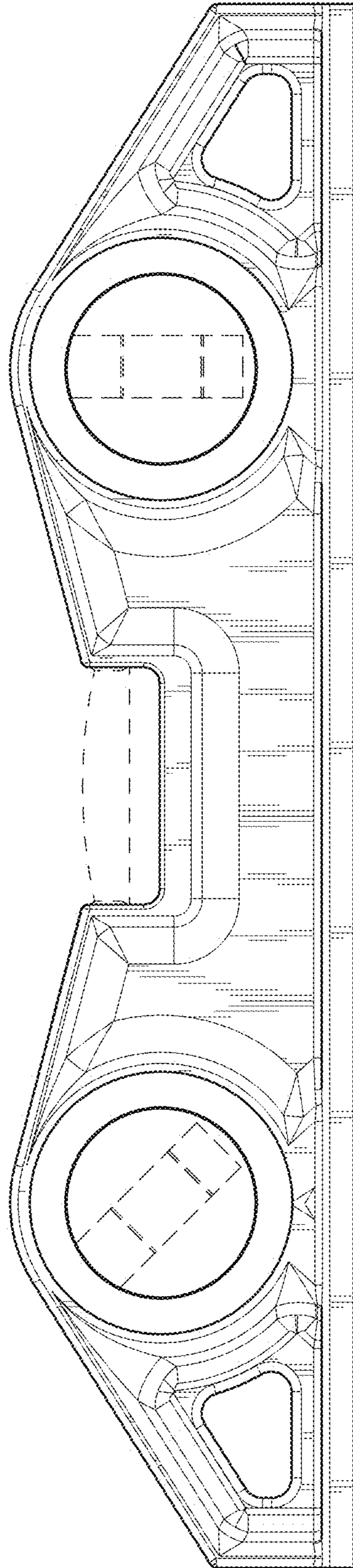


FIG. 3

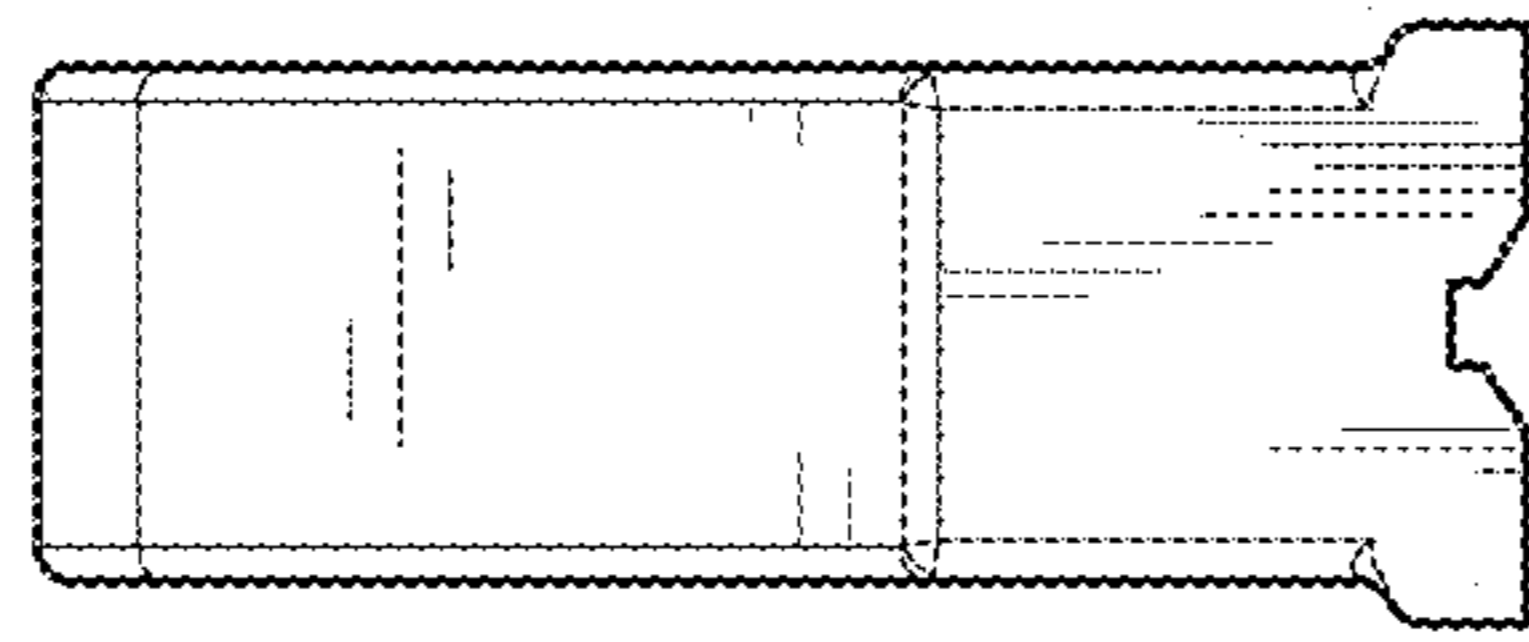


FIG. 5

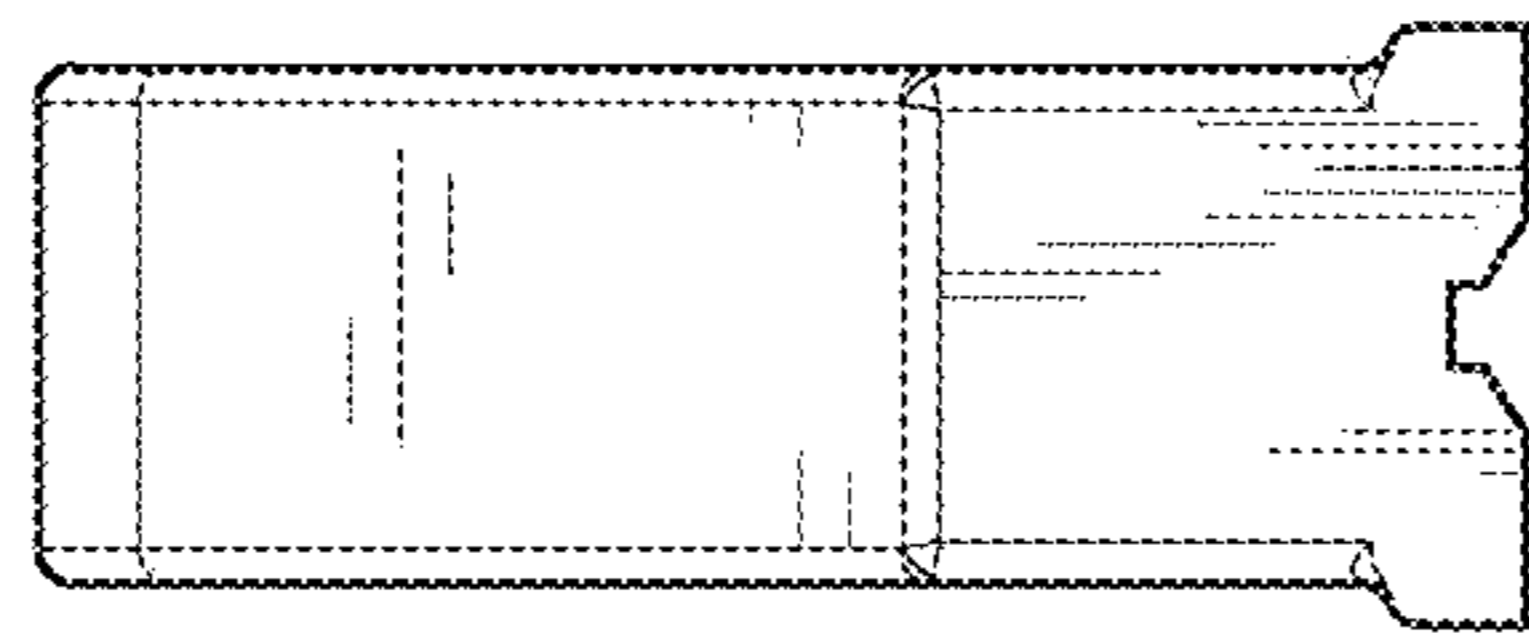


FIG. 4

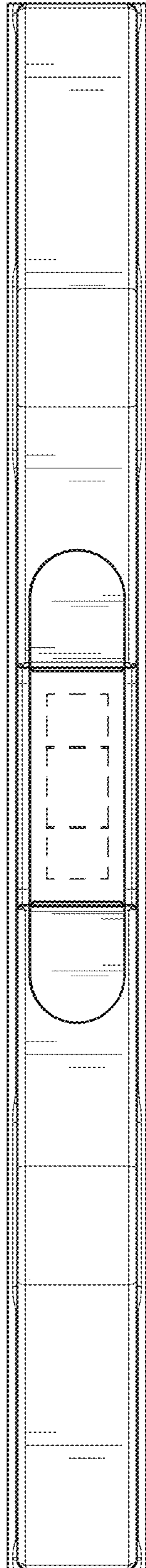


FIG. 6

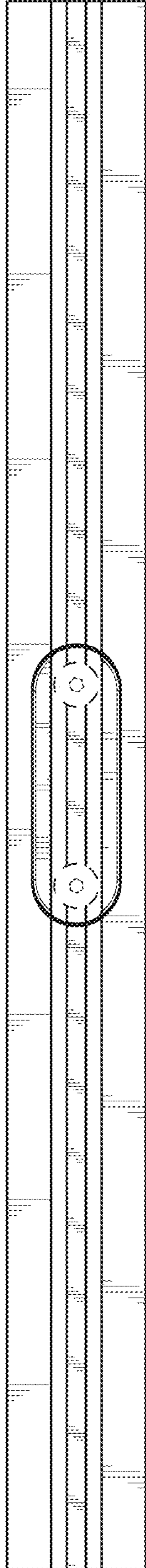


FIG. 7