



US00D936494S

(12) **United States Design Patent**
Wojciechowski et al.

(10) **Patent No.:** **US D936,494 S**

(45) **Date of Patent:** **** Nov. 23, 2021**

(54) **POCKET LEVEL**

2009/107; G01C 2009/182; G01C
2009/185; G01C 2009/187

(71) Applicant: **Johnson Level & Tool Mfg. Co., Inc.**,
Mequon, WI (US)

See application file for complete search history.

(72) Inventors: **Timothy J. Wojciechowski**, Hubertus,
WI (US); **David Mencil**, Menomonee
Falls, WI (US)

(56) **References Cited**

U.S. PATENT DOCUMENTS

4,295,279 A 10/1981 Sienknecht
4,944,094 A * 7/1990 Depiano A47G 1/205
33/332
D908,517 S * 1/2021 Rudick D10/69

(73) Assignee: **Johnson Level & Tool Mfg. Co., Inc.**,
Mequon, WI (US)

* cited by examiner

(**) Term: **15 Years**

Primary Examiner — Antoine Duval Davis

(21) Appl. No.: **29/706,781**

(74) *Attorney, Agent, or Firm* — Boyle Fredrickson S.C.

(22) Filed: **Sep. 24, 2019**

(57) **CLAIM**

(51) **LOC (13) Cl.** **10-04**

The ornamental design of a pocket level, as shown and described.

(52) **U.S. Cl.**

USPC **D10/69**

DESCRIPTION

(58) **Field of Classification Search**

USPC D10/69

CPC . G01C 9/00; G01C 9/005; G01C 9/02; G01C
9/04; G01C 9/06; G01C 9/08; G01C
9/10; G01C 9/12; G01C 9/14; G01C
9/16; G01C 9/18; G01C 9/20; G01C
9/22; G01C 9/24; G01C 9/26; G01C
9/28; G01C 9/30; G01C 9/32; G01C
9/34; G01C 9/36; G01C 2009/005; G01C
2009/062; G01C 2009/064; G01C
2009/066; G01C 2009/068; G01C
2009/102; G01C 2009/105; G01C

FIG. 1 is an isometric view of a pocket level incorporating our new design, wherein the portions illustrated in phantom form no part of the claimed design;

FIG. 2 is a front elevation view thereof;

FIG. 3 is a rear elevation view thereof;

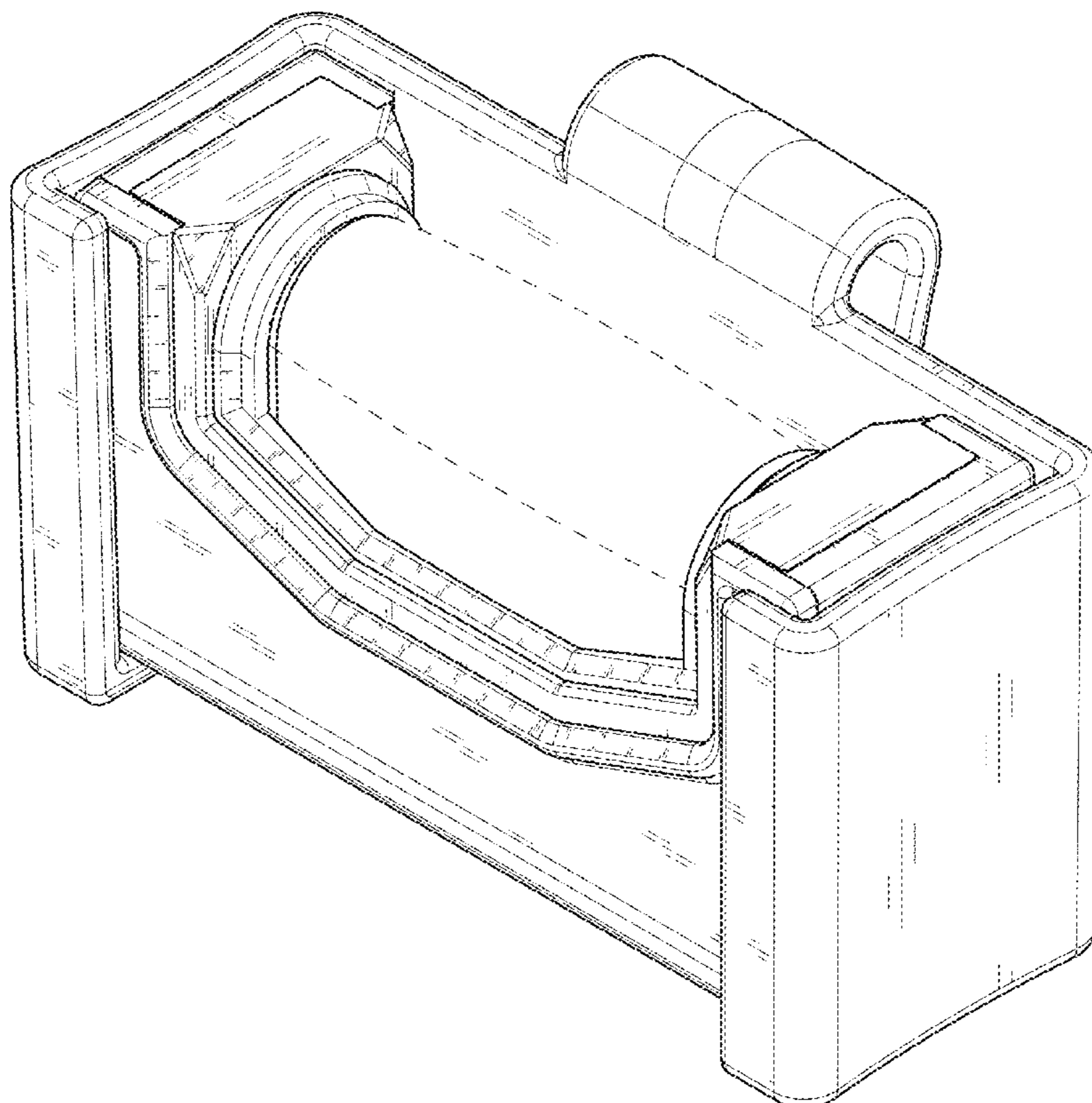
FIG. 4 is a right side elevation view thereof;

FIG. 5 is a right side elevation view thereof;

FIG. 6 is a top plan view thereof; and,

FIG. 7 is a bottom plan view thereof.

1 Claim, 7 Drawing Sheets



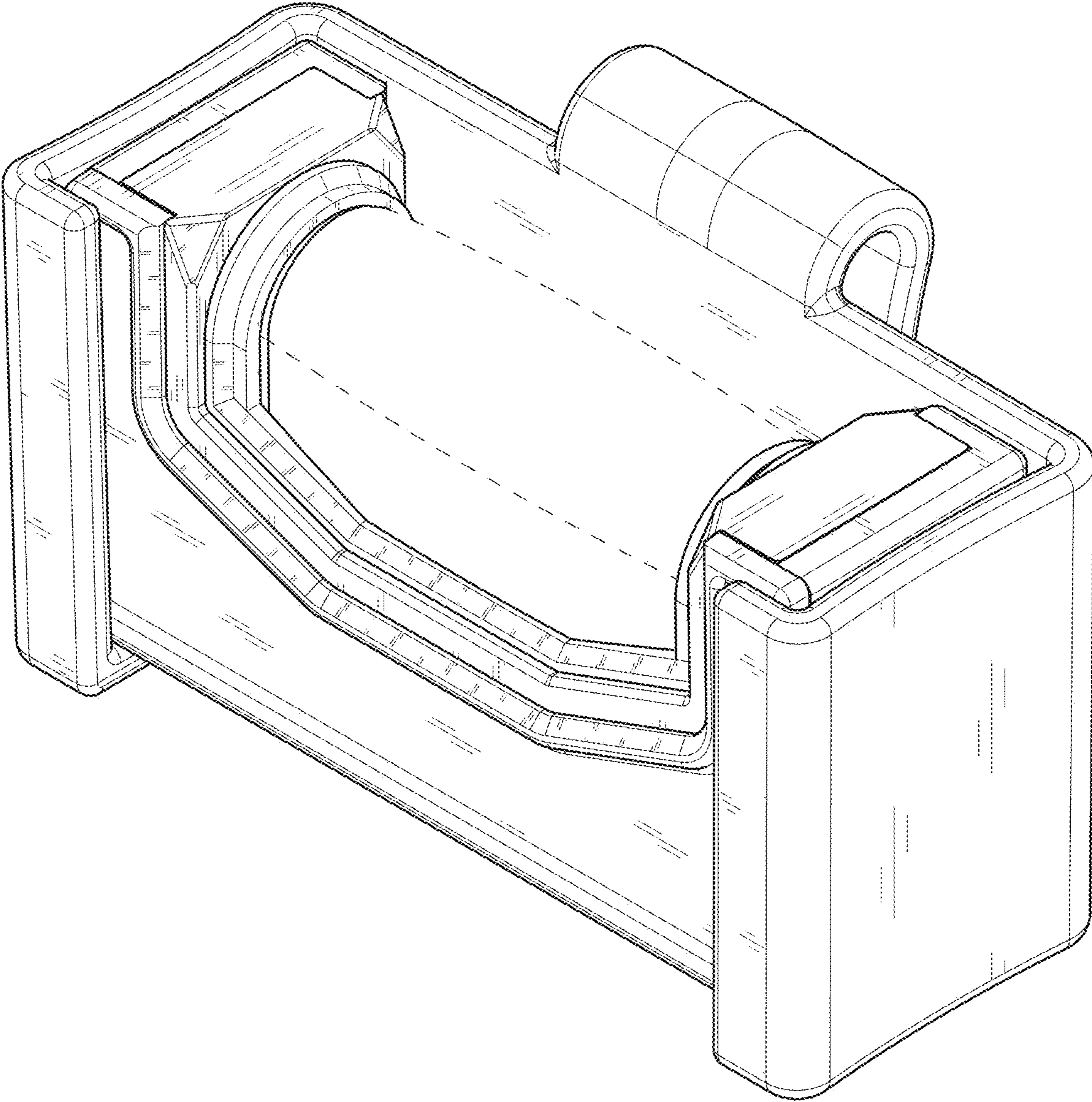


FIG. 1

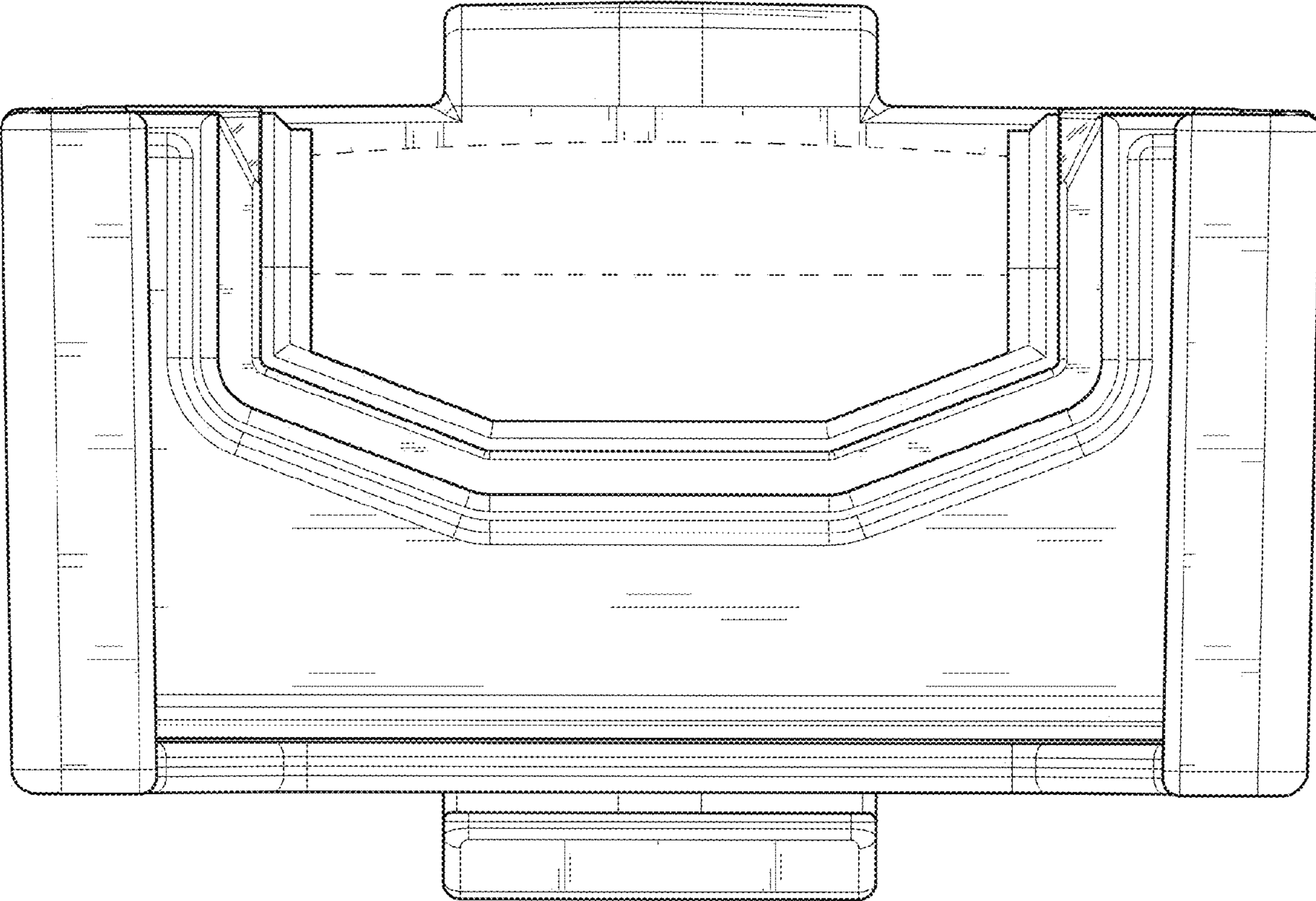


FIG. 2

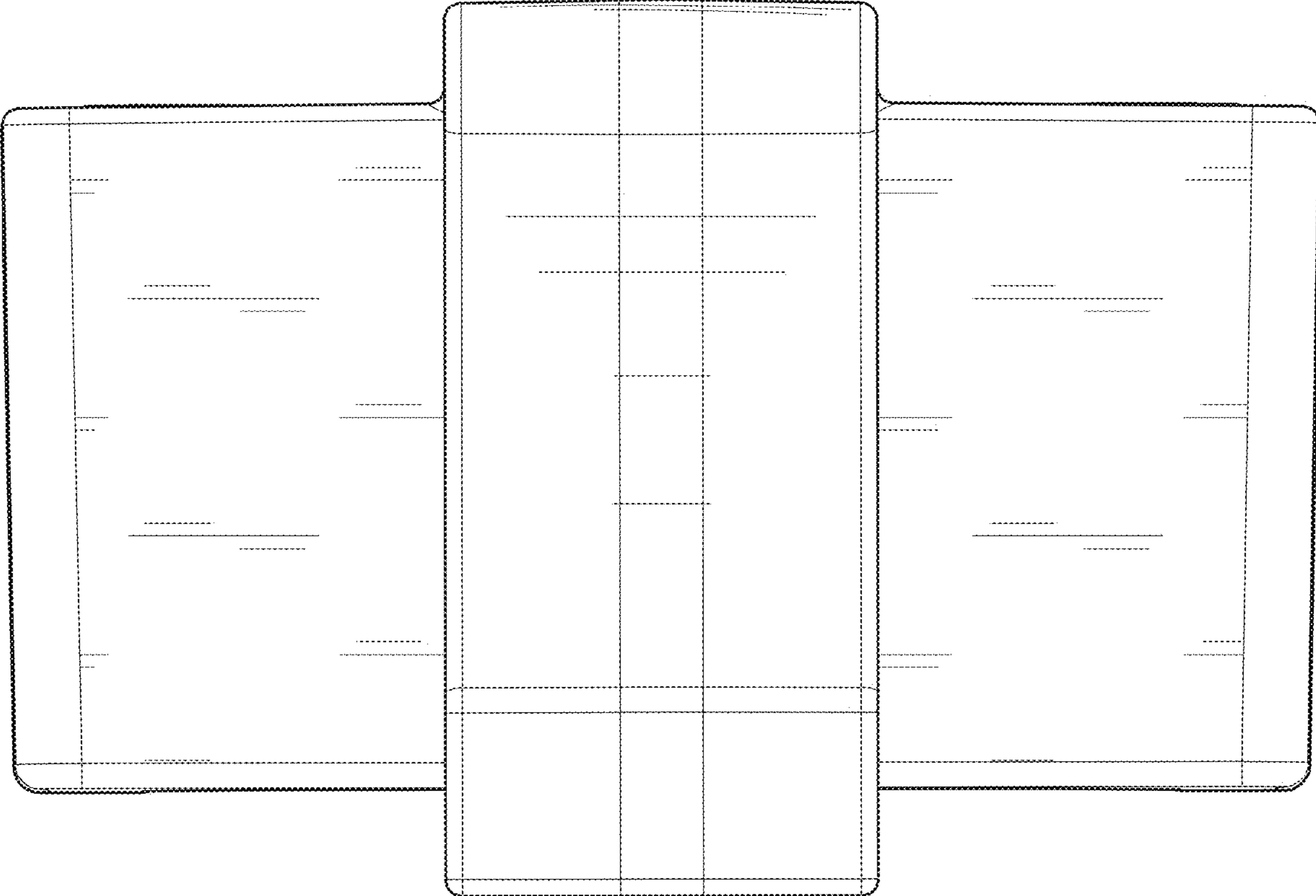


FIG. 3

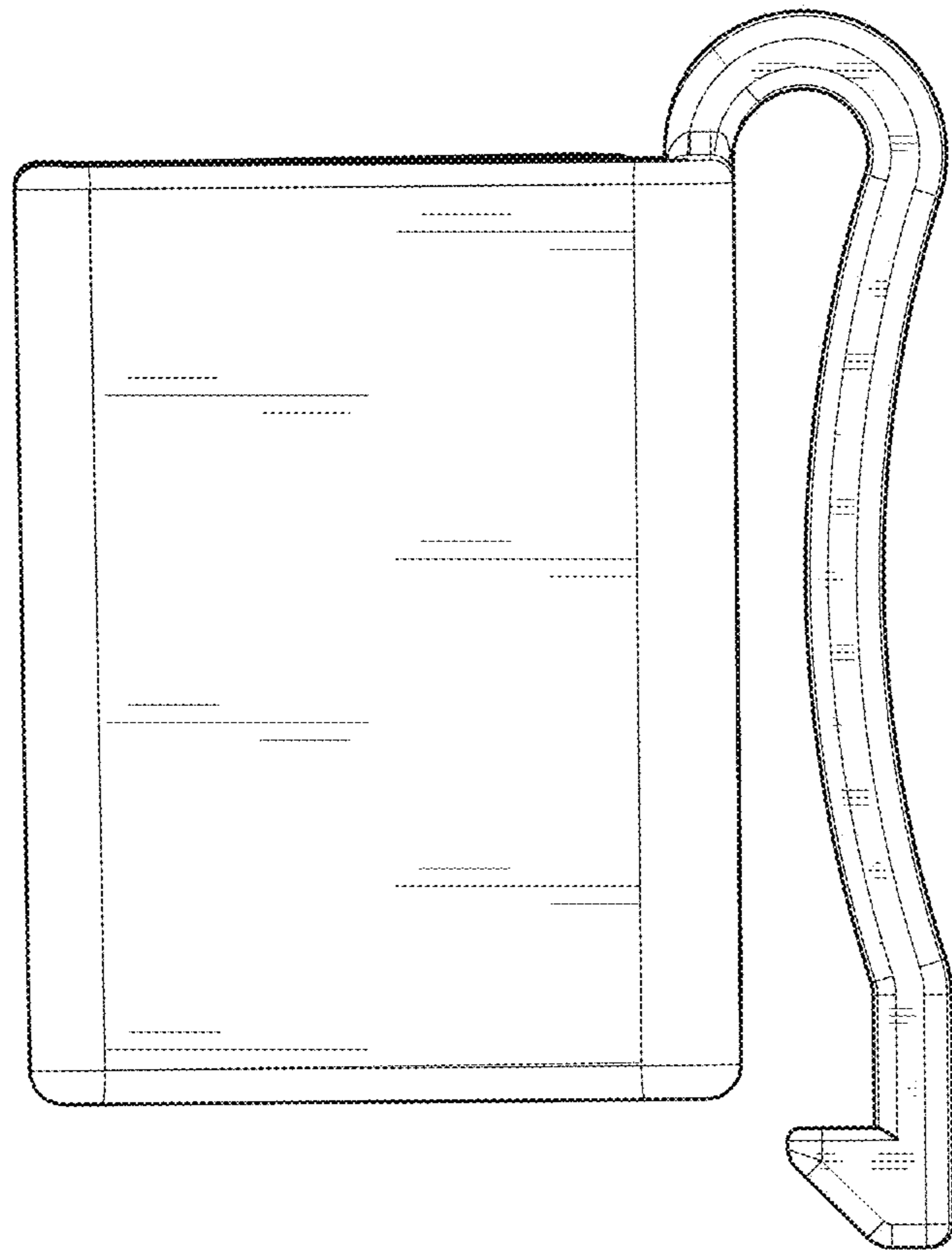


FIG. 4

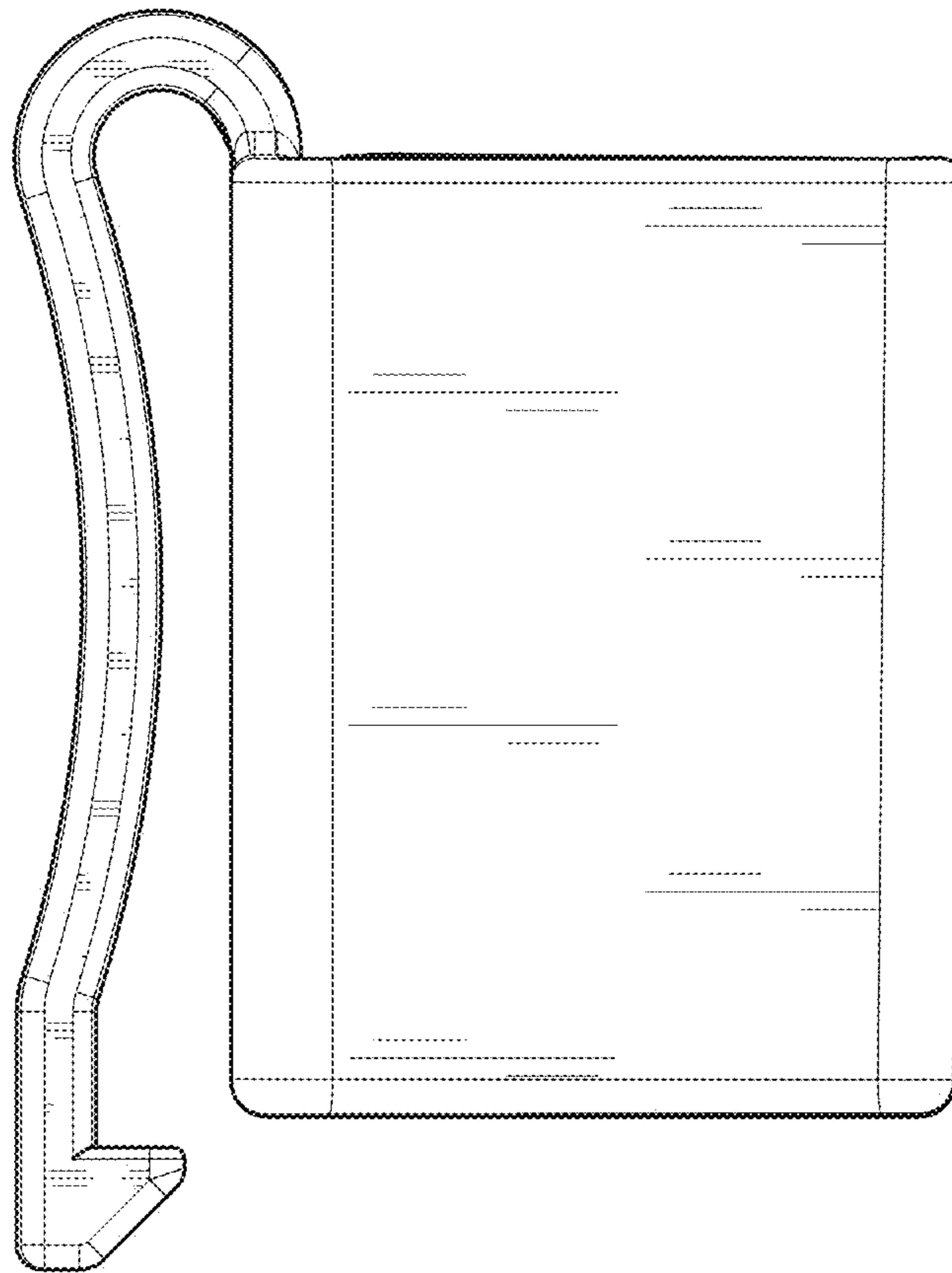


FIG. 5

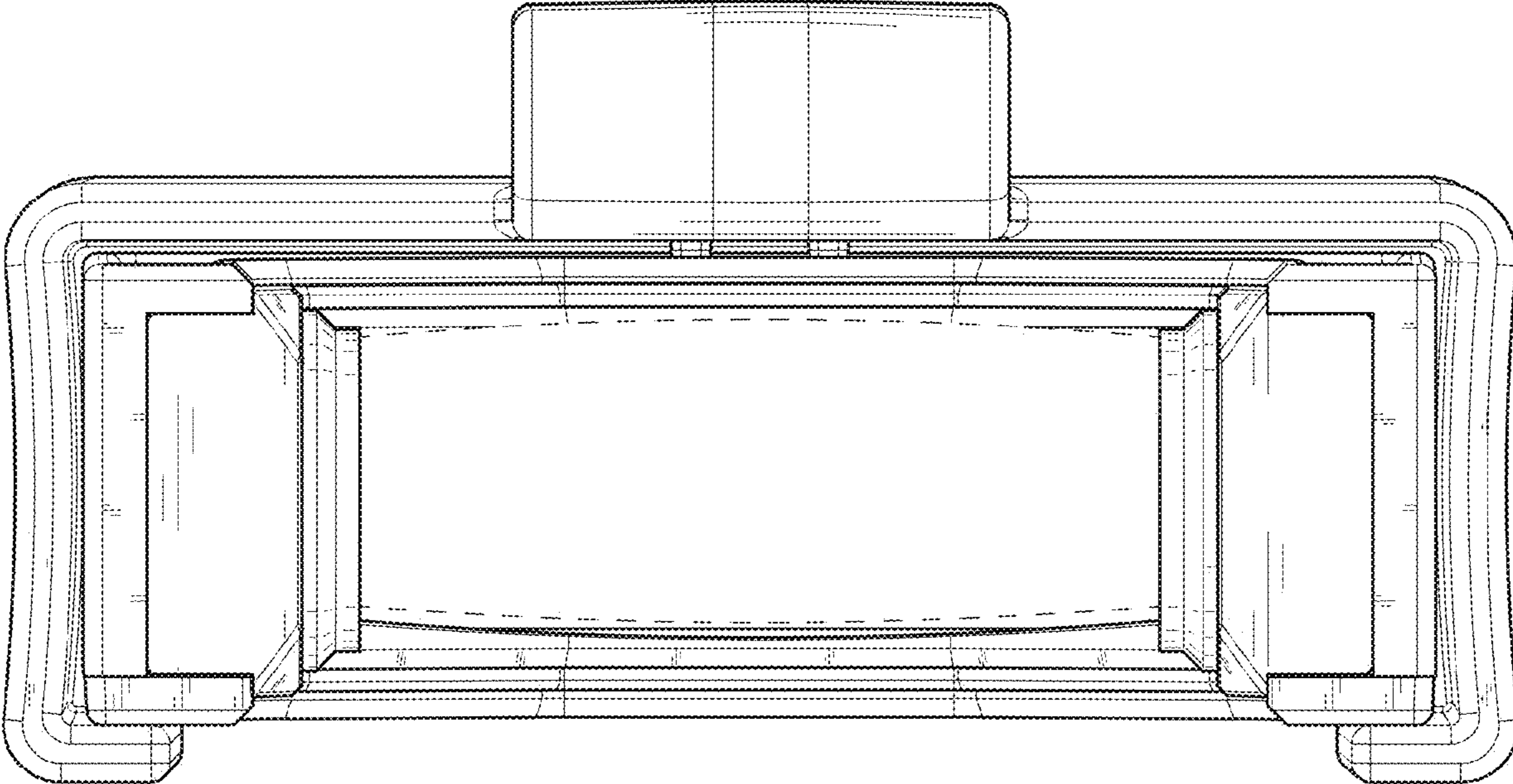


FIG. 6

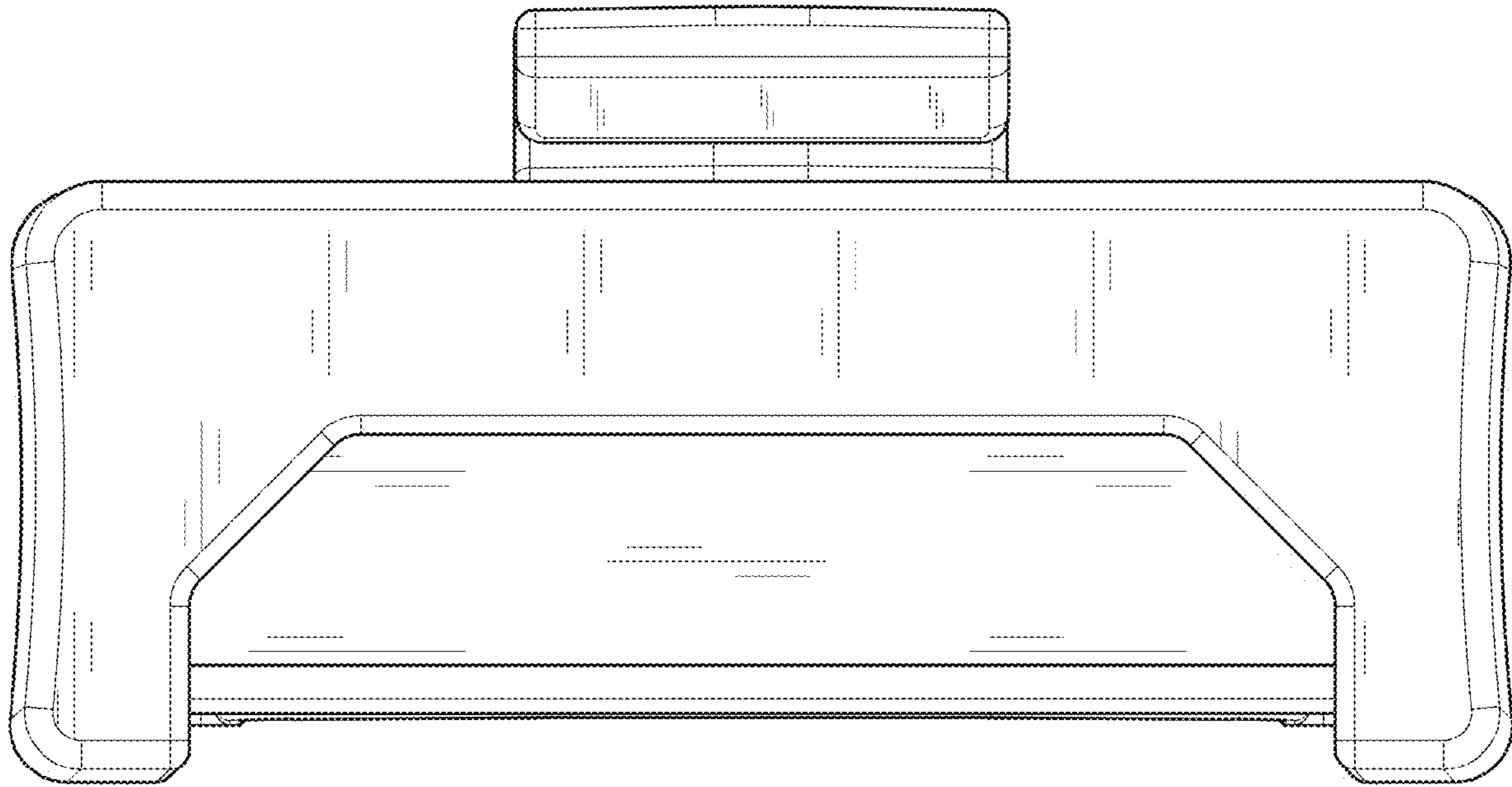


FIG. 7