



US00D936493S

(12) **United States Design Patent**  
**Hasenmayer et al.**

(10) **Patent No.:** **US D936,493 S**

(45) **Date of Patent:** **\*\* Nov. 23, 2021**

(54) **INSTRUMENT**

(71) Applicant: **Robert Bosch GmbH**, Stuttgart (DE)

(72) Inventors: **Vincent Hasenmayer**,  
Stuttgart-Möhringen (DE); **Tobias  
Roehm**, Wildberg-Sulz (DE); **Nedim  
Vrtagic**, Des Plaines, IL (US); **Paolo  
Corcagnani**, Esslingen am Neckar (DE)

(73) Assignee: **Robert Bosch GmbH**, Stuttgart (DE)

(\*\*) Term: **15 Years**

(21) Appl. No.: **29/717,225**

(22) Filed: **Dec. 16, 2019**

(30) **Foreign Application Priority Data**

Jun. 18, 2019 (EM) ..... 006584892

(51) **LOC (13) Cl.** ..... **10-04**

(52) **U.S. Cl.**  
USPC ..... **D10/65**

(58) **Field of Classification Search**  
USPC ..... D10/65, 66, 69, 70  
CPC ... G01C 9/00; G01C 9/02; G01C 9/04; G01C  
9/06; G01C 15/00; G01C 15/002; G01C  
15/004; G01C 15/006; G01B 11/26  
See application file for complete search history.

(56) **References Cited**

**U.S. PATENT DOCUMENTS**

9,188,441 B2 \* 11/2015 Munroe ..... G01J 1/44  
D777,588 S \* 1/2017 Aoki ..... D10/66

D834,970 S \* 12/2018 Aoki ..... D10/66  
D845,156 S \* 4/2019 Gulunov ..... D10/69  
D852,070 S \* 6/2019 Lu ..... D10/65  
D881,043 S \* 4/2020 Shao ..... D10/69  
D882,427 S \* 4/2020 Shao ..... D10/69

\* cited by examiner

*Primary Examiner* — Leanne Was-Englehart  
(74) *Attorney, Agent, or Firm* — Maginot, Moore & Beck  
LLP

(57) **CLAIM**

The ornamental design for an instrument, as shown and  
described.

**DESCRIPTION**

Cross reference is made to copending U.S. design patent  
application Ser. No. 29/717,226 entitled “Instrument” by  
Roehm et al., which was filed on even date herewith.

FIG. 1 is a perspective view of an instrument showing our  
new design;

FIG. 2 is a front side elevational view of the instrument of  
FIG. 1;

FIG. 3 is a rear side elevational view of the instrument of  
FIG. 1;

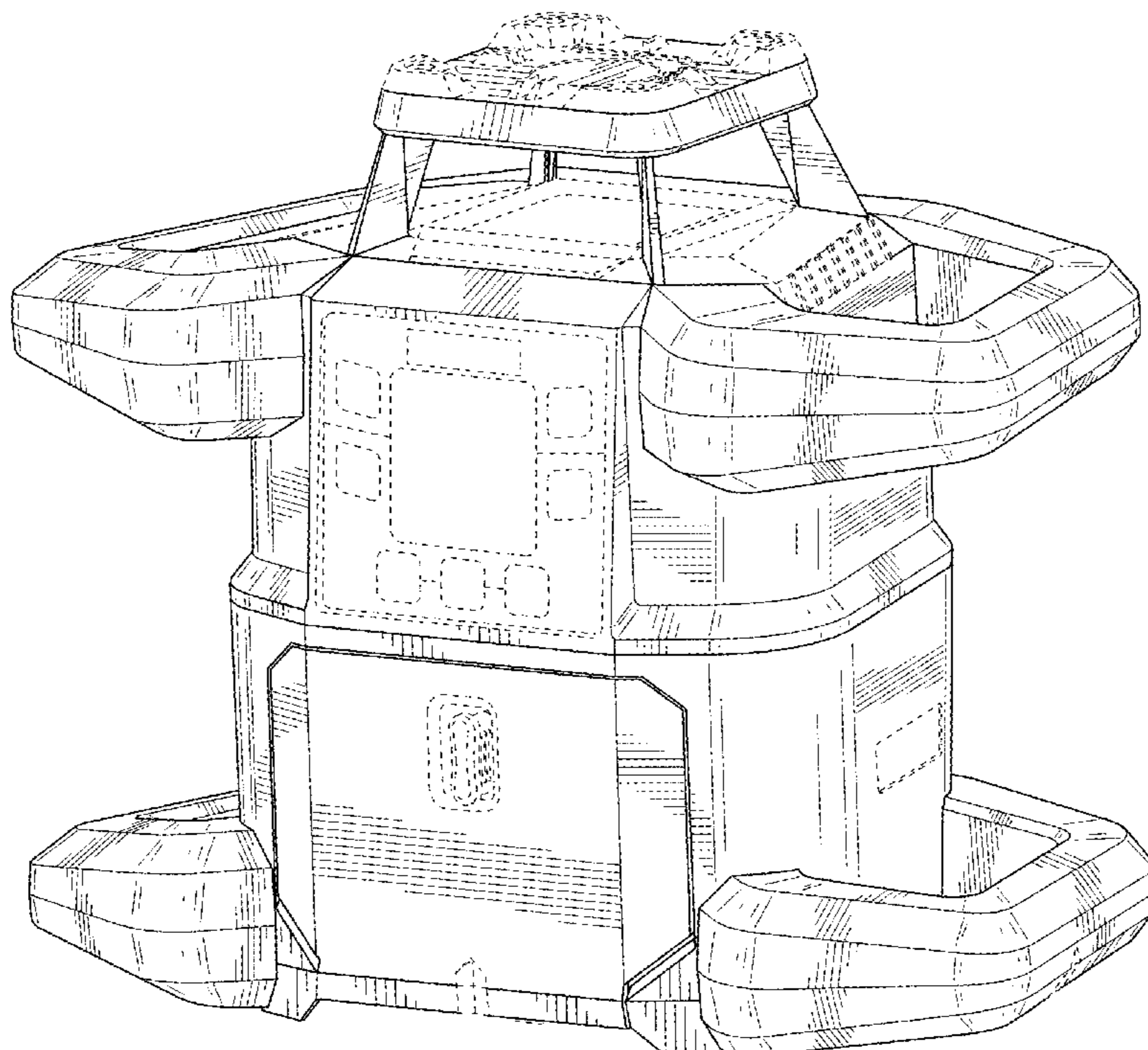
FIG. 4 is a right side elevational view of the instrument of  
FIG. 1;

FIG. 5 is a left side elevational view of the instrument of  
FIG. 1;

FIG. 6 is a top plan view of the instrument of FIG. 1; and,  
FIG. 7 is a bottom plan view of the instrument of FIG. 1.

The broken lines shown in the drawings illustrate portions of  
the instrument that form no part of the claimed design.

**1 Claim, 7 Drawing Sheets**



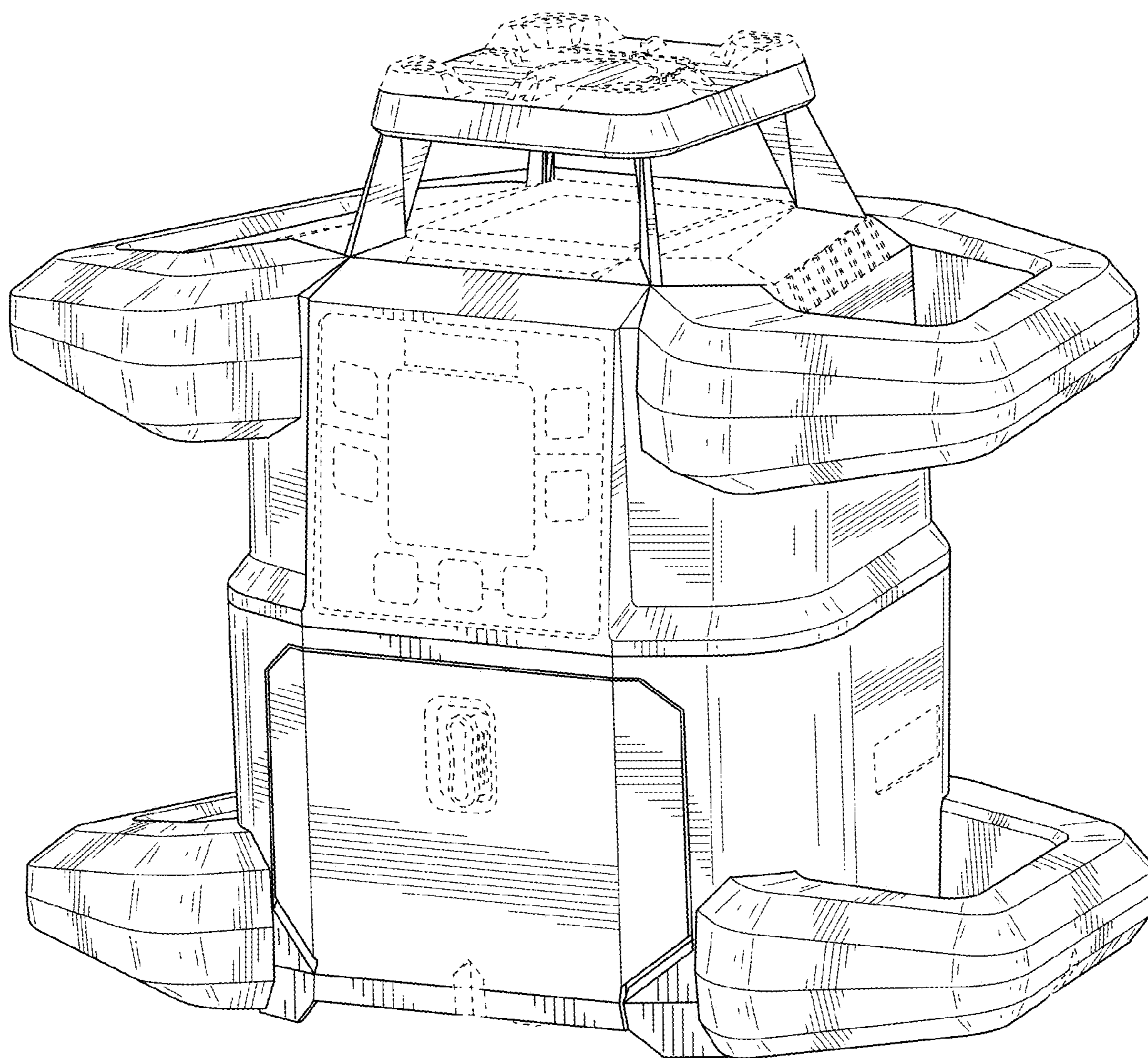


FIG. 1

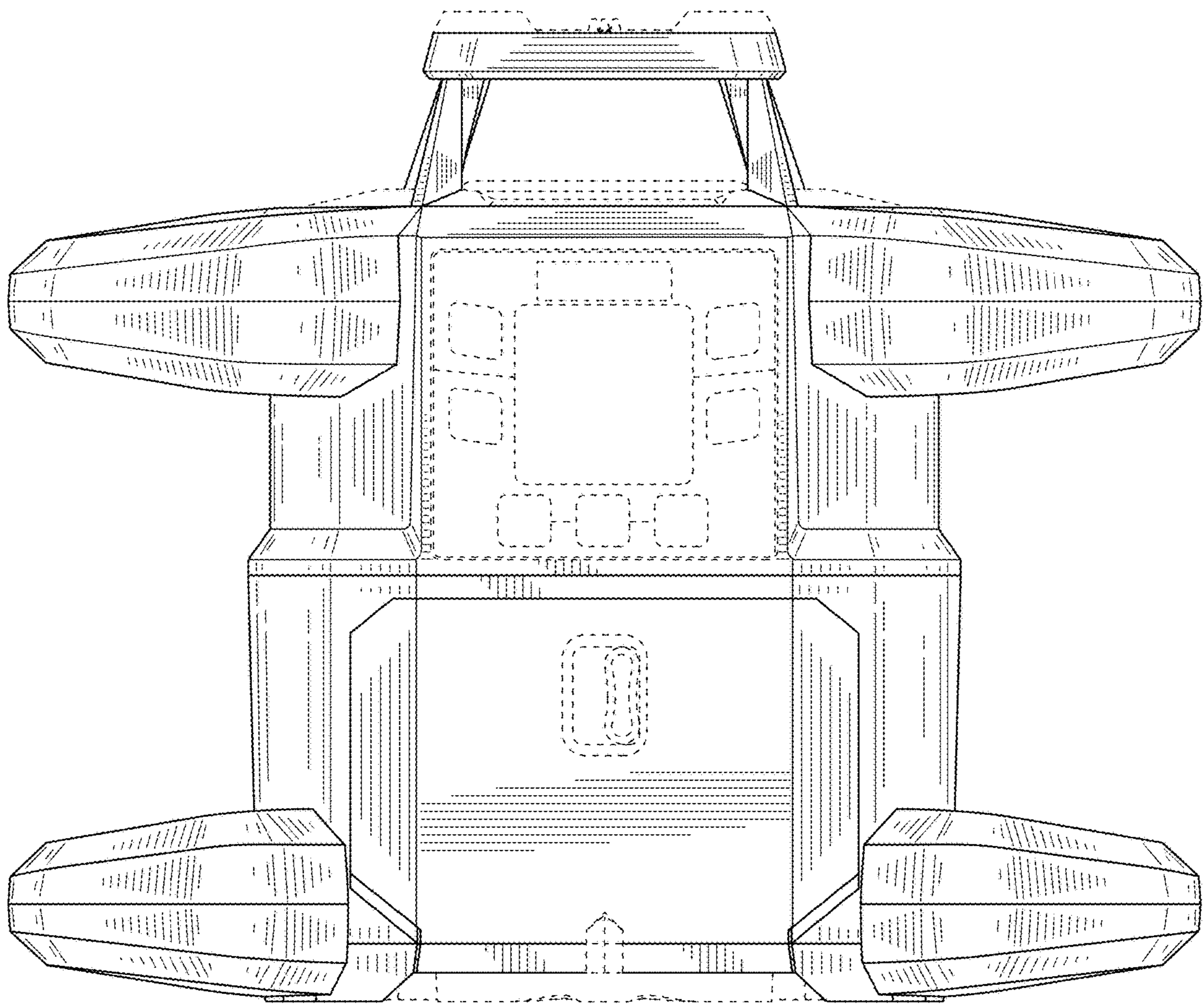


FIG. 2

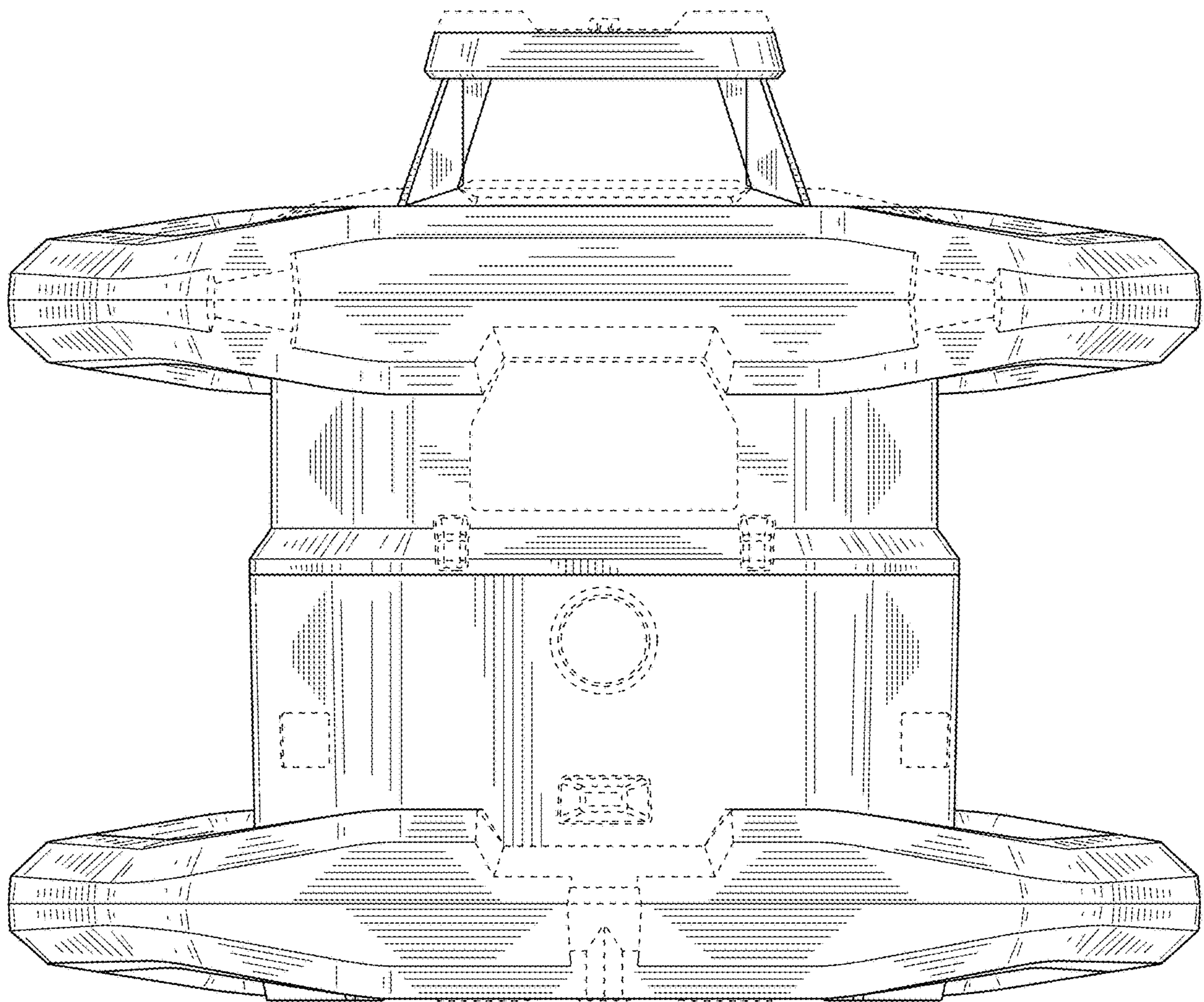


FIG. 3

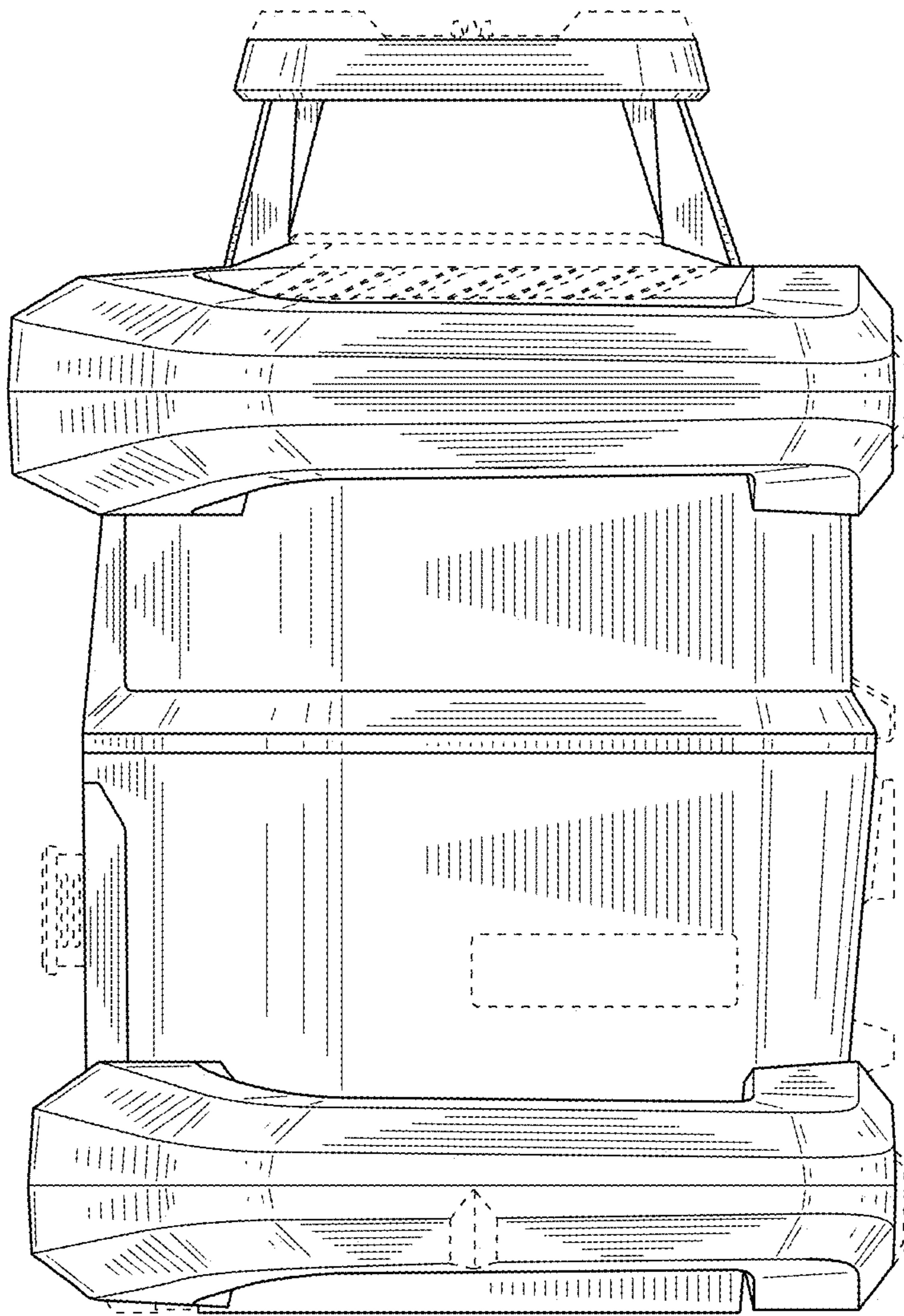


FIG. 4

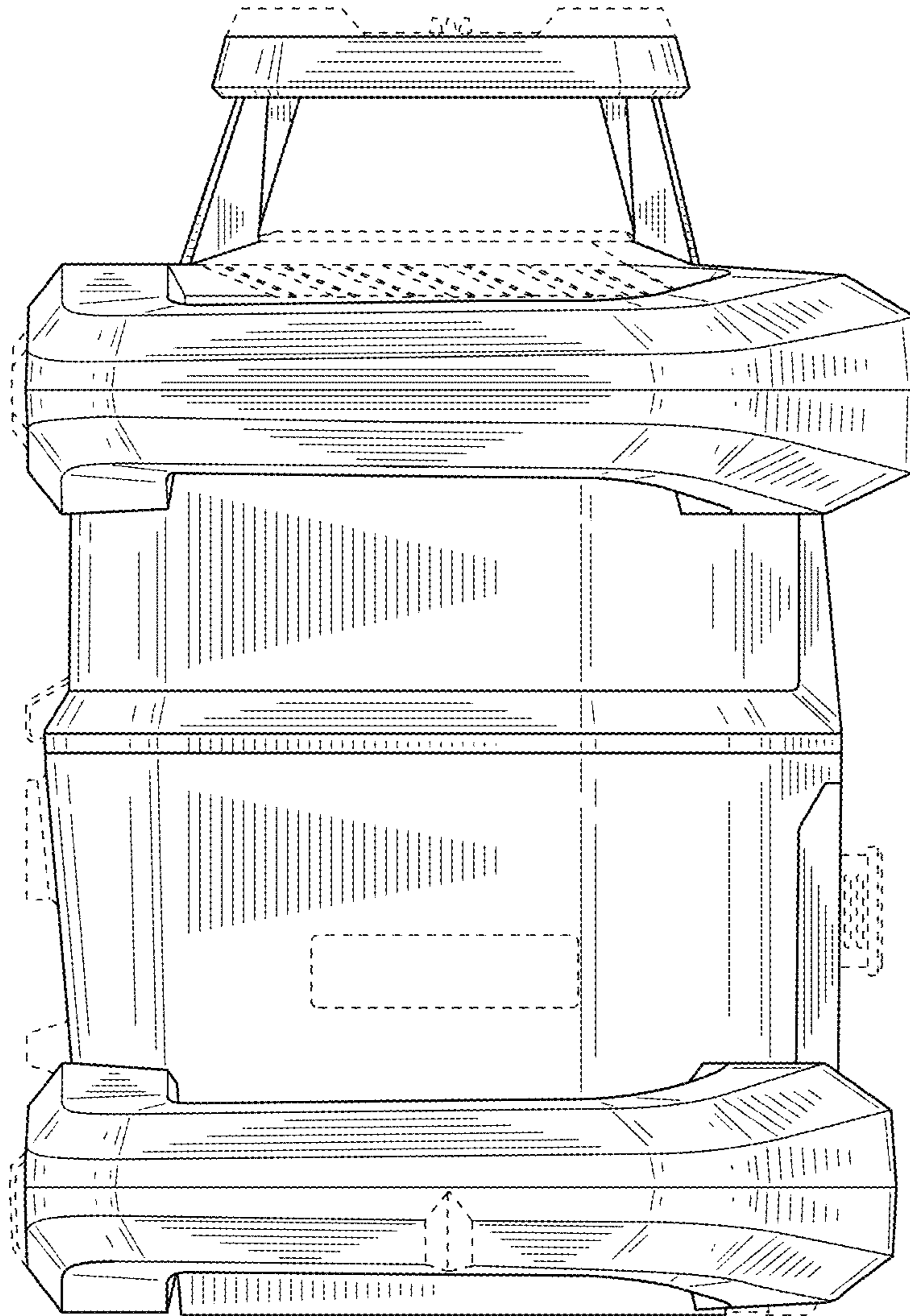


FIG. 5

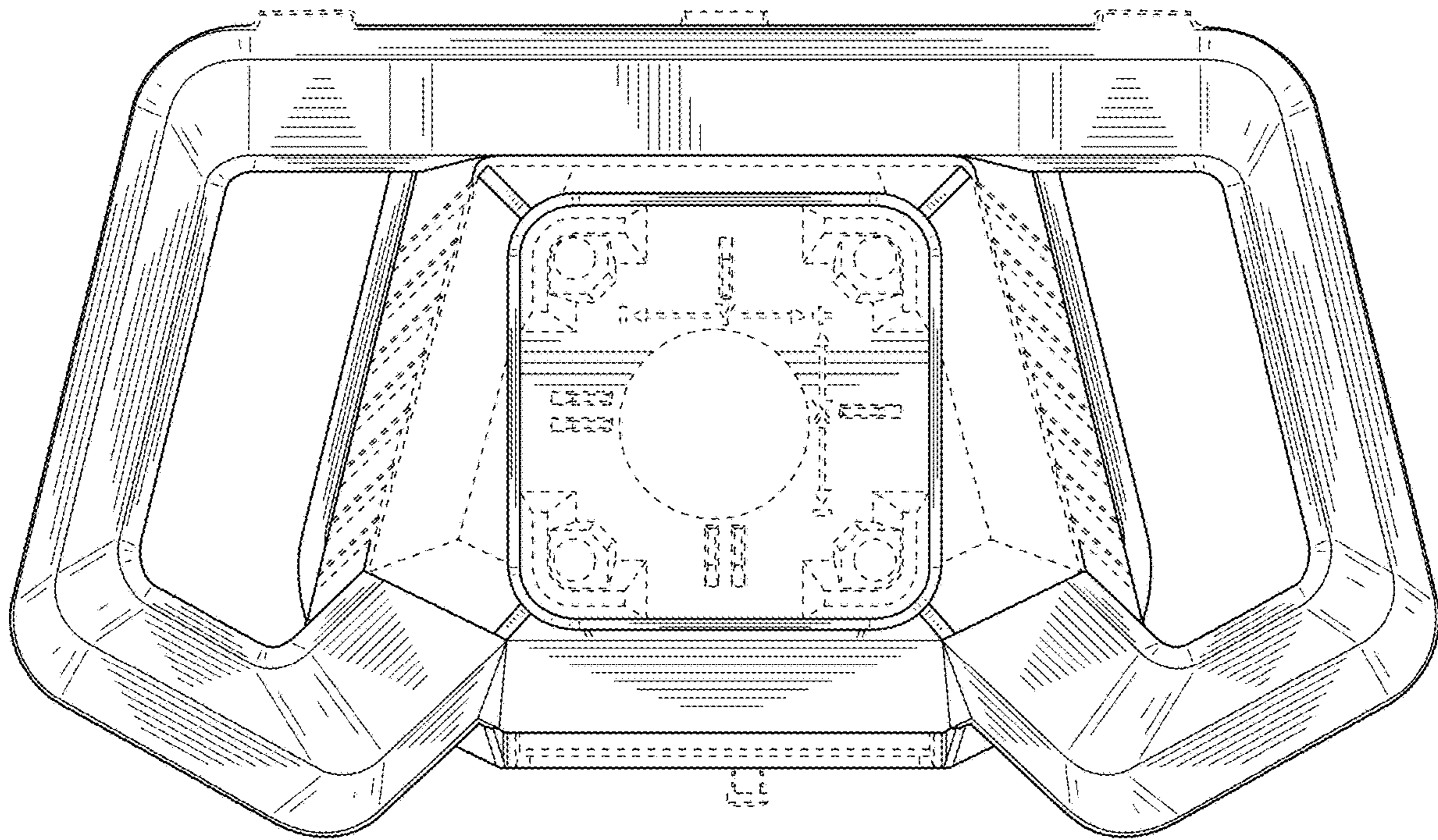


FIG. 6

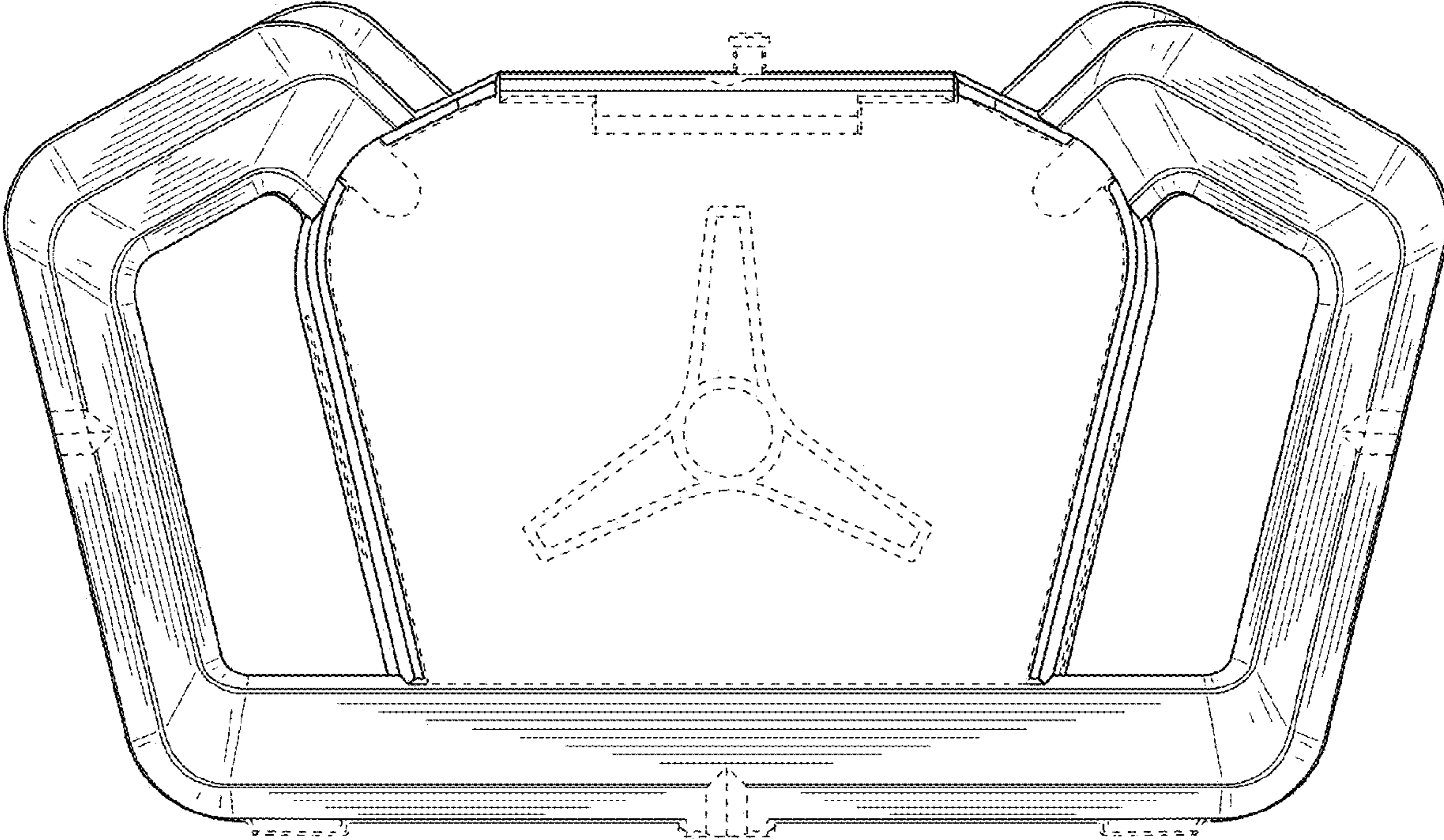


FIG. 7