



US00D936492S

(12) **United States Design Patent**
Roth

(10) **Patent No.:** **US D936,492 S**
(45) **Date of Patent:** **** Nov. 23, 2021**

(54) **HVAC MONITORING HARDWARE**

OTHER PUBLICATIONS

- (71) Applicant: **Roth Technologies LLC**, San Antonio, TX (US)
- (72) Inventor: **Ronald B. Roth**, San Antonio, TX (US)
- (**) Term: **15 Years**

MCerberus®_ The HVAC Monitoring Solution <https://www.mhvacmonitor.com/> Sep. 29, 2020 (Year: 2020).*

Roth Technologies LLC HVAC Monitoring https://www.rtautomation.org/?page_id=40 May 2017 (Year: 2017).*

* cited by examiner

- (21) Appl. No.: **29/719,226**
- (22) Filed: **Jan. 2, 2020**
- (51) **LOC (13) Cl.** **10-05**
- (52) **U.S. Cl.**
USPC **D10/50**
- (58) **Field of Classification Search**
USPC D10/46, 49, 50, 51, 52, 53, 75
CPC . F24F 11/38; F24F 11/64; F24F 11/65; G05B
17/02; F24D 19/1084
See application file for complete search history.

Primary Examiner — Leanne Was-Englehart
(74) *Attorney, Agent, or Firm* — Not Just Patents LLC;
Wendy S Peterson

(57) **CLAIM**

The ornamental design for a HVAC monitoring hardware, as shown and described.

DESCRIPTION

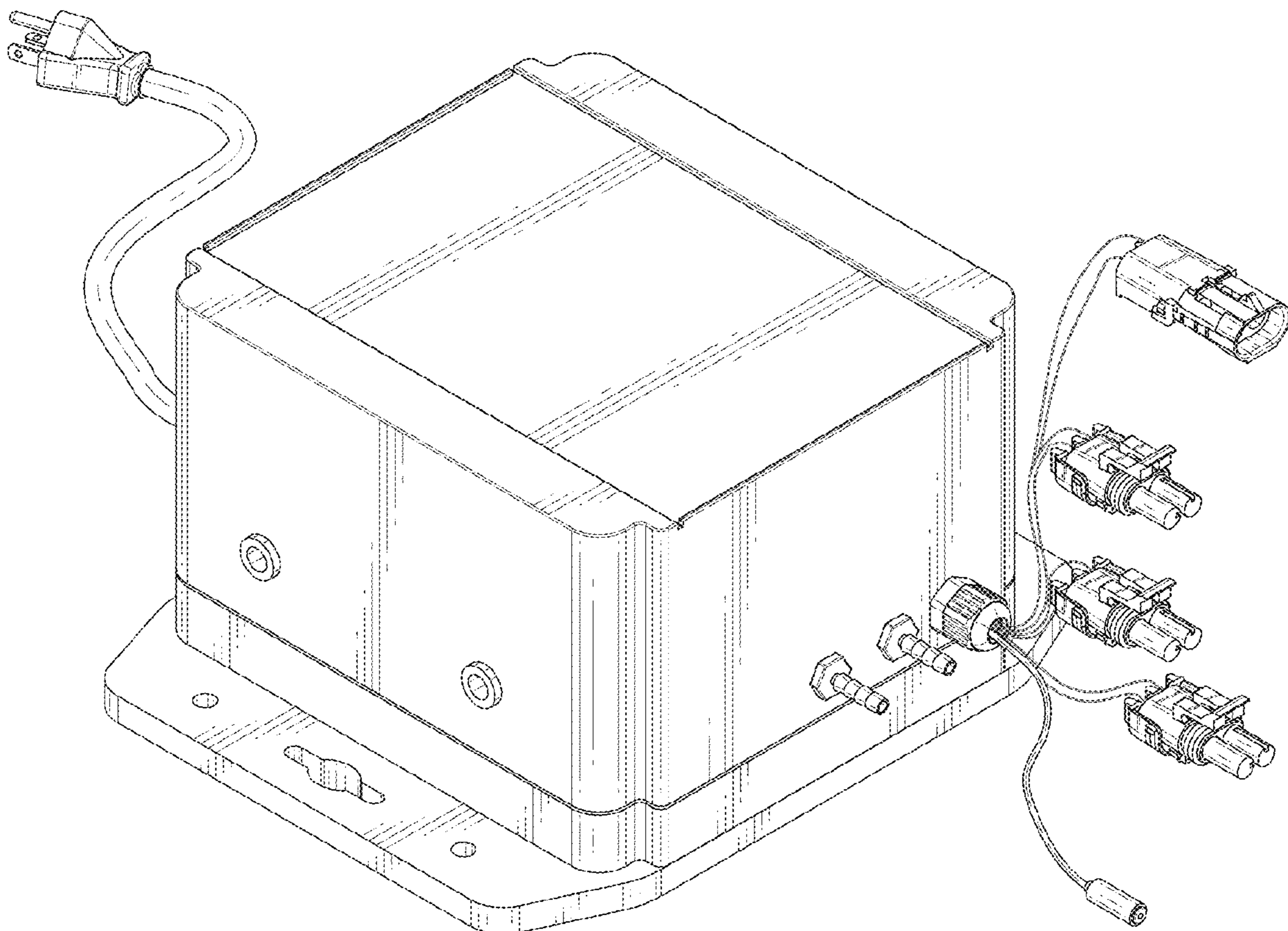
FIG. 1 is a front/right perspective view of the HVAC monitoring hardware showing my new design;
FIG. 2 is front view thereof;
FIG. 3 is a back view thereof;
FIG. 4 is a left view thereof;
FIG. 5 is a right view thereof;
FIG. 6 is a top view thereof; and,
FIG. 7 is a bottom view thereof.

(56) **References Cited**

U.S. PATENT DOCUMENTS

D242,230 S	*	11/1976	Manecke et al.	D10/50
D290,818 S	*	7/1987	Tomozawa	D10/40
D705,091 S	*	5/2014	Andersson	D10/50
D762,495 S	*	8/2016	Tanaka	D10/50
D762,496 S	*	8/2016	Tanaka	D10/50
D762,497 S	*	8/2016	Tanaka	D10/50
D800,670 S	*	10/2017	Bradley	D13/164

1 Claim, 7 Drawing Sheets



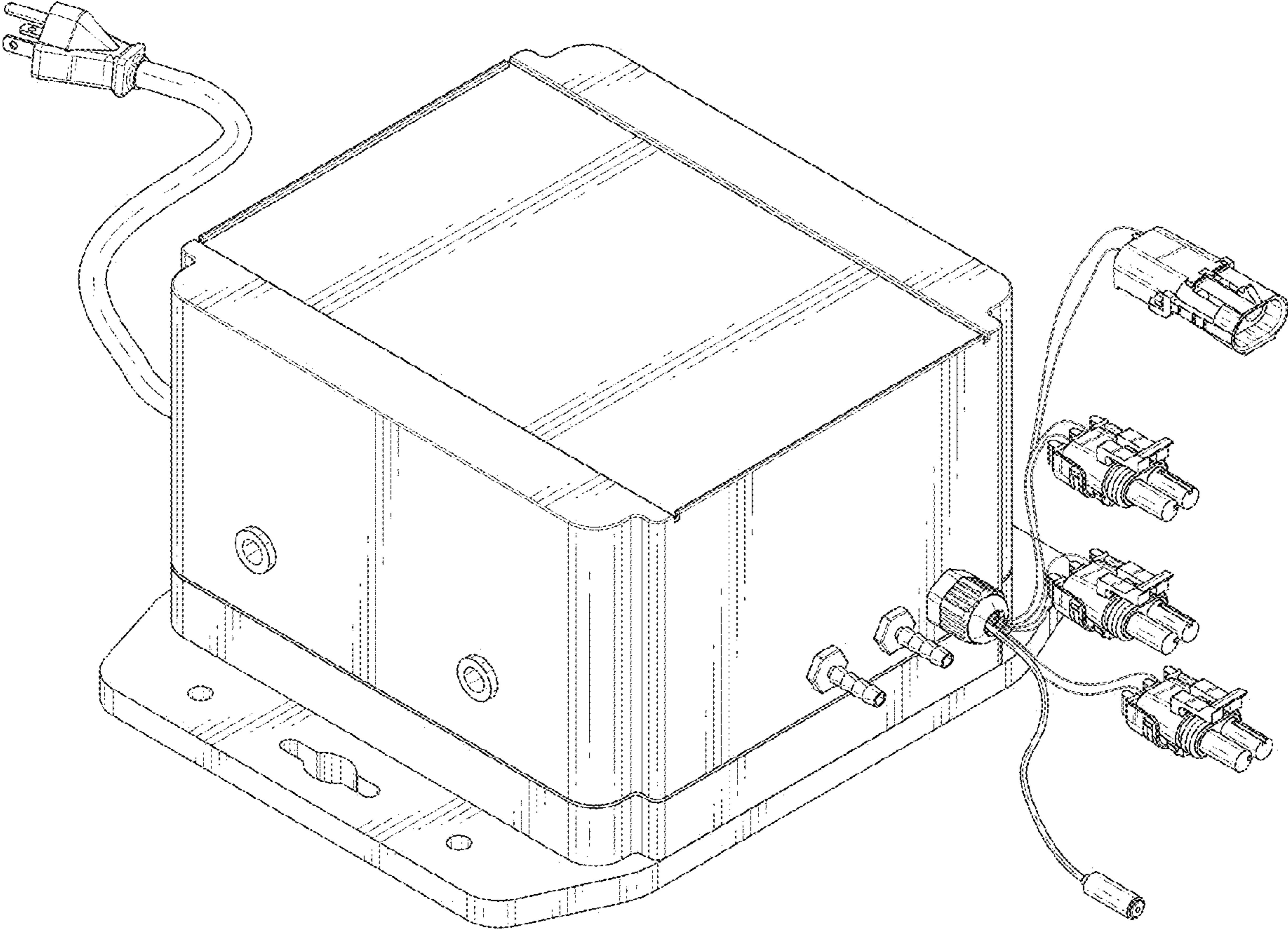


FIG. 1

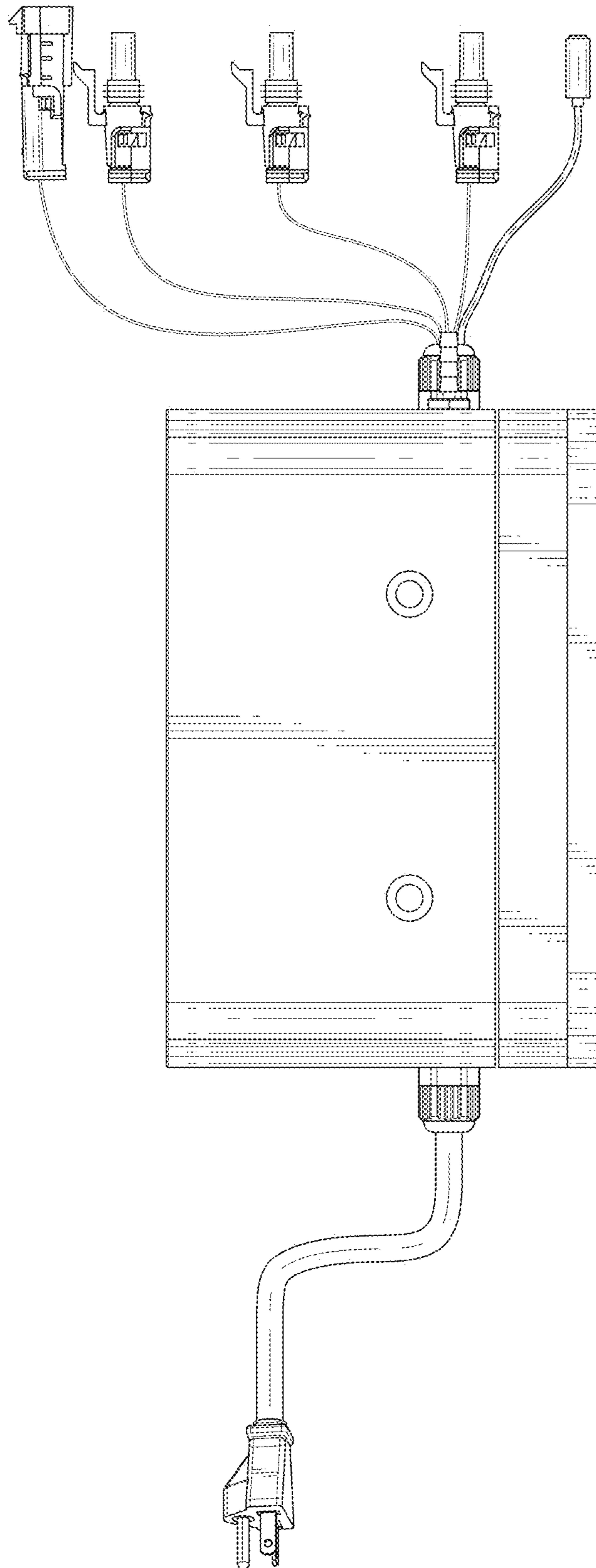


FIG. 2

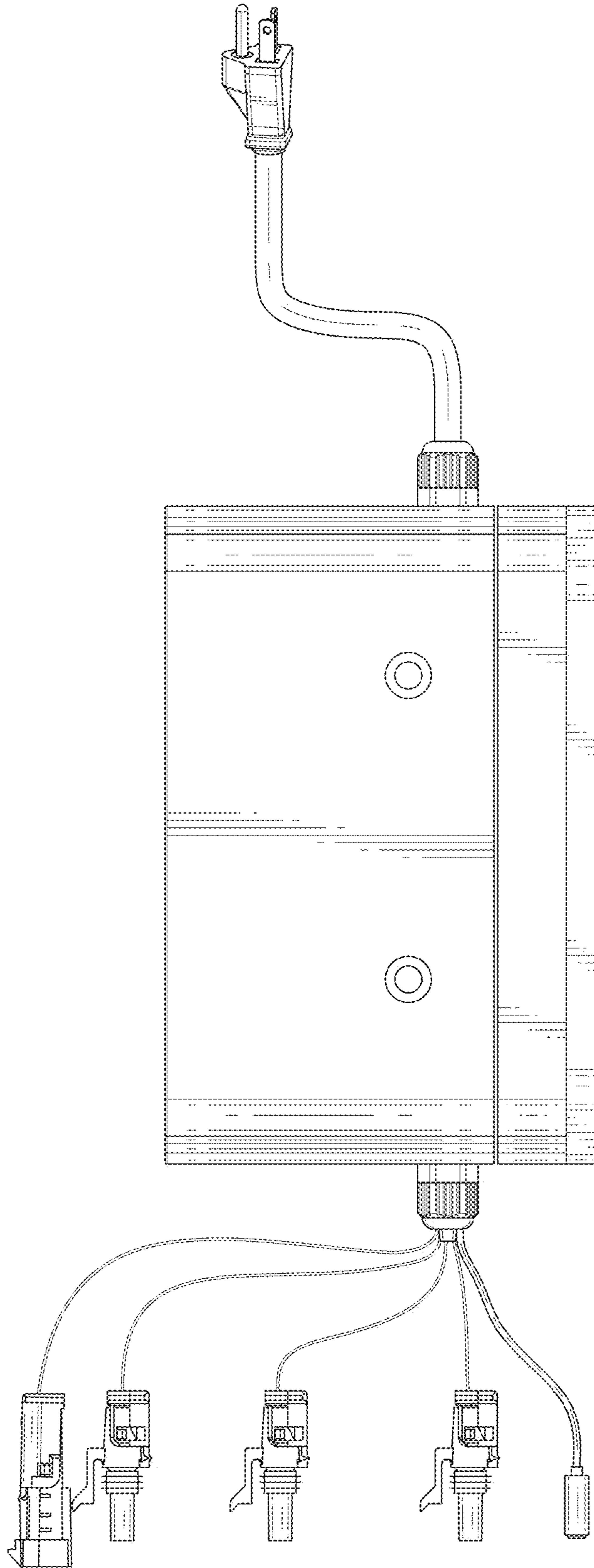


FIG. 3

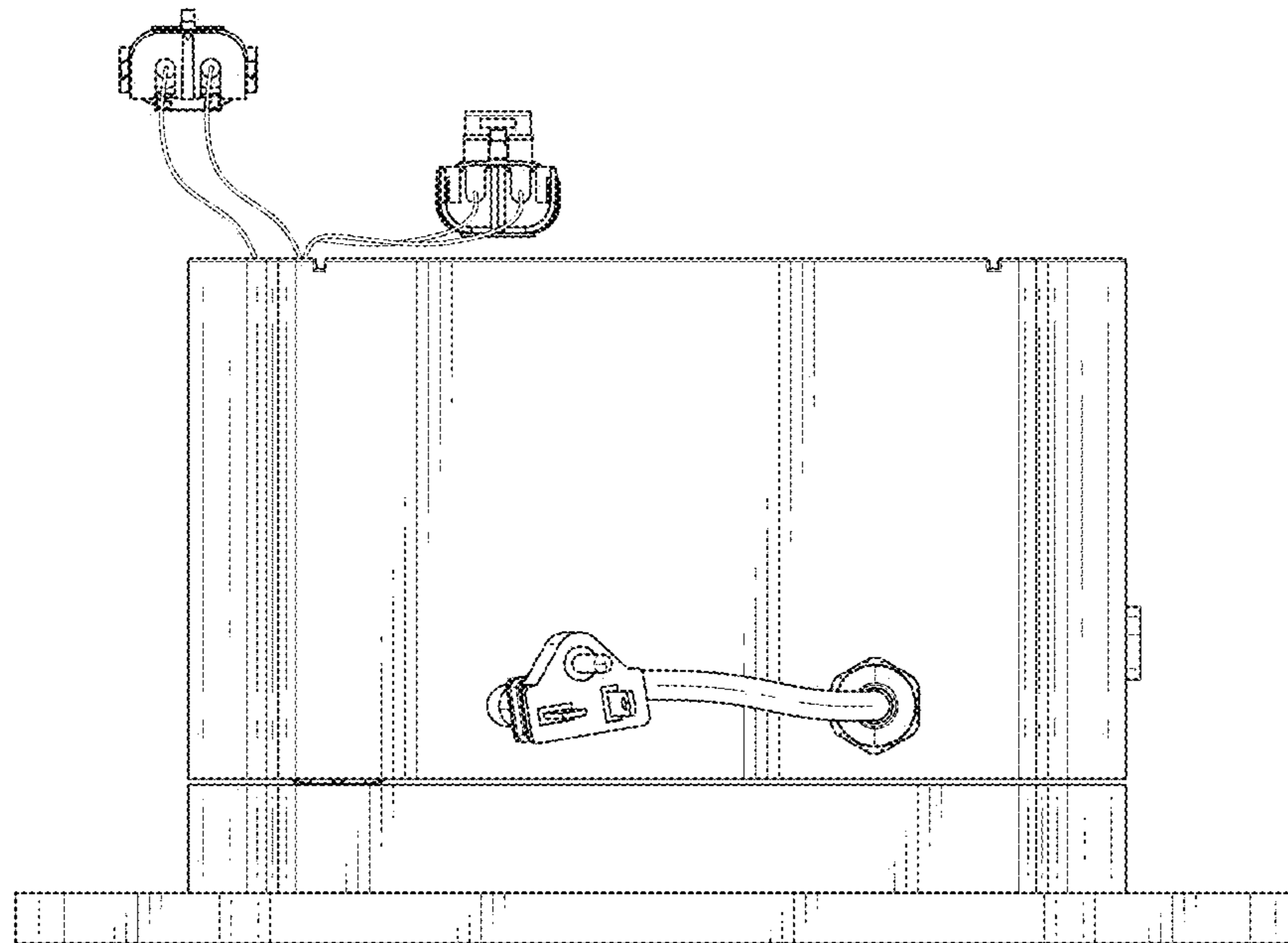


FIG. 4

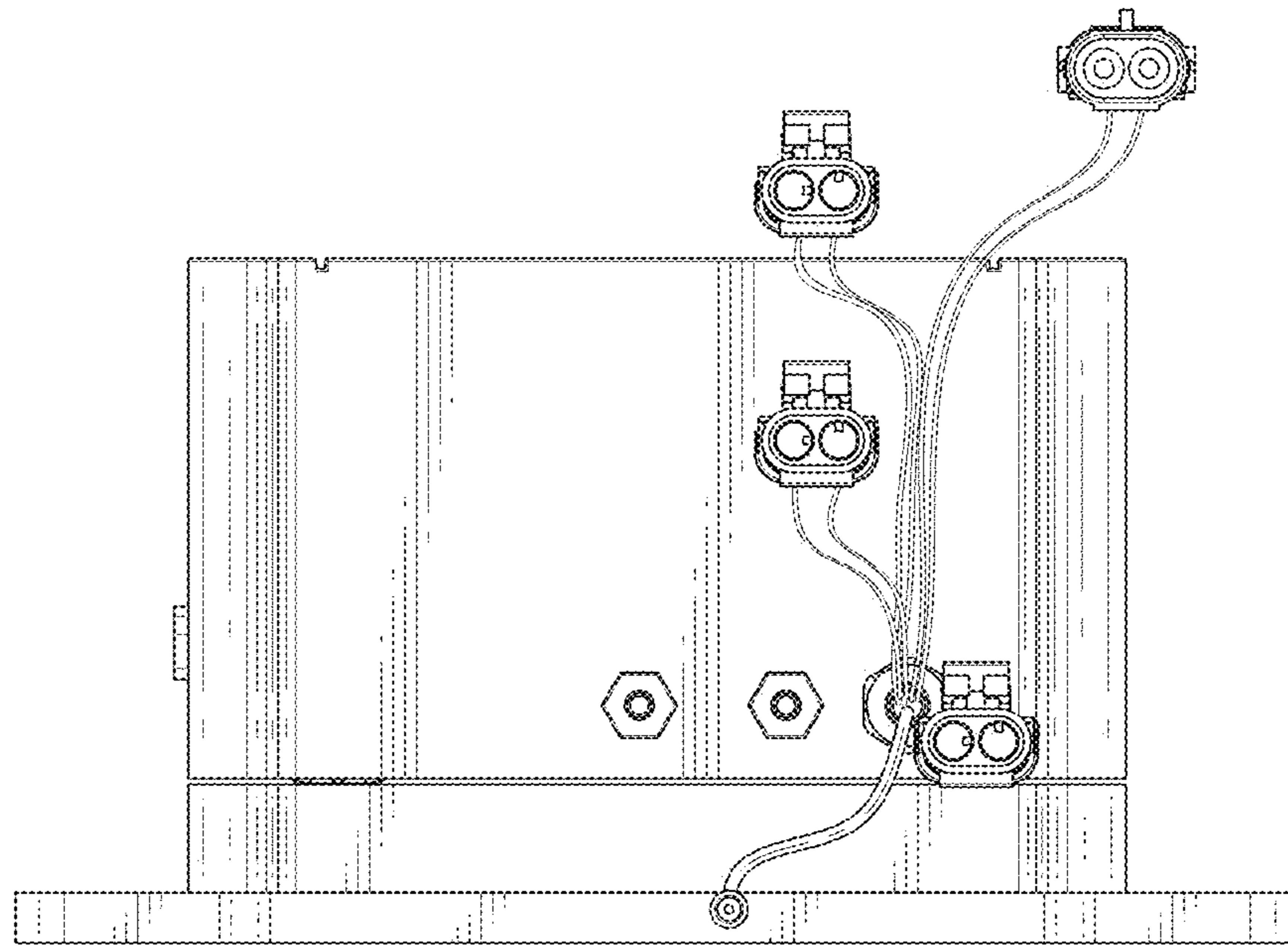


FIG. 5

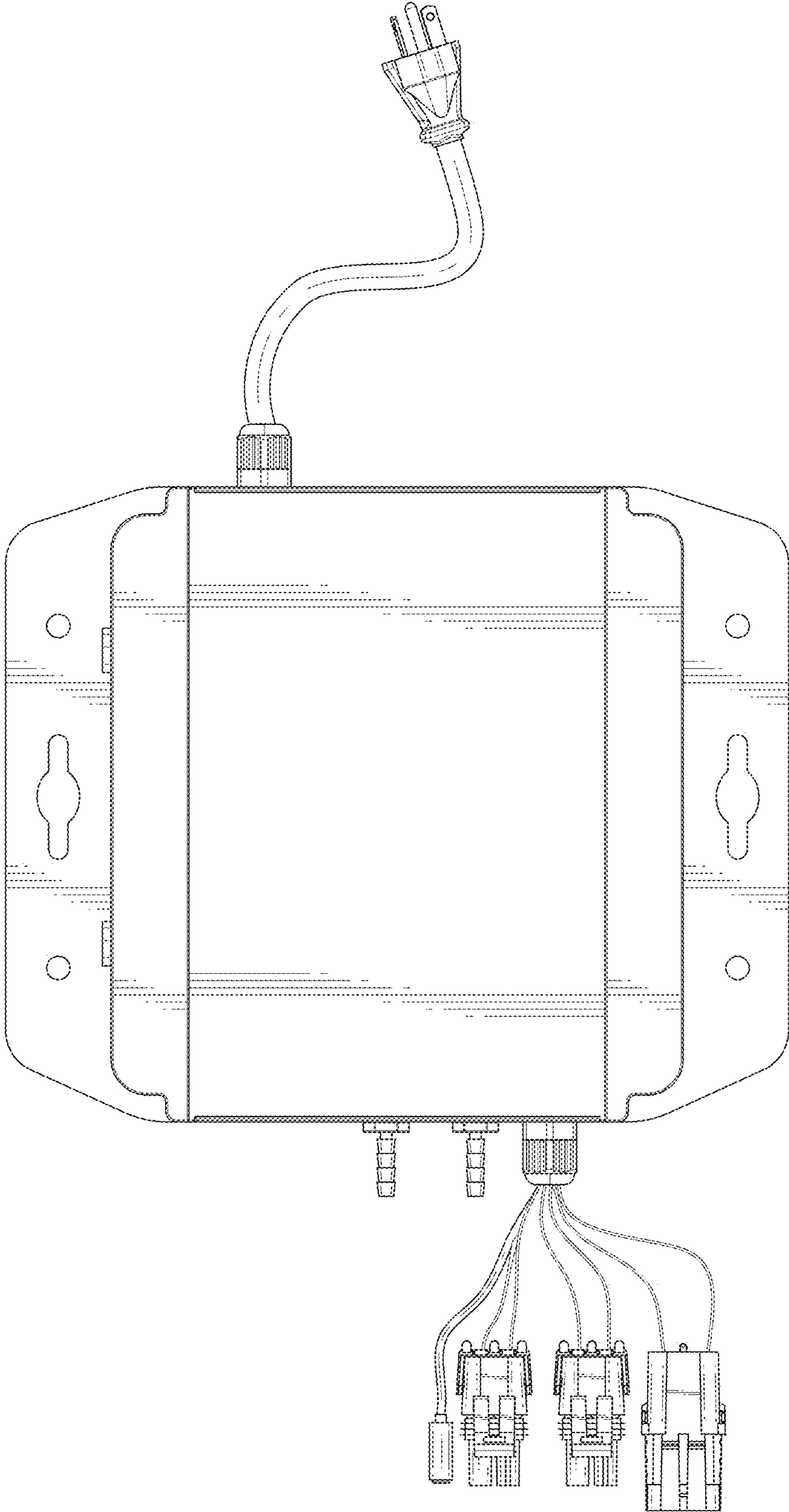


FIG. 6

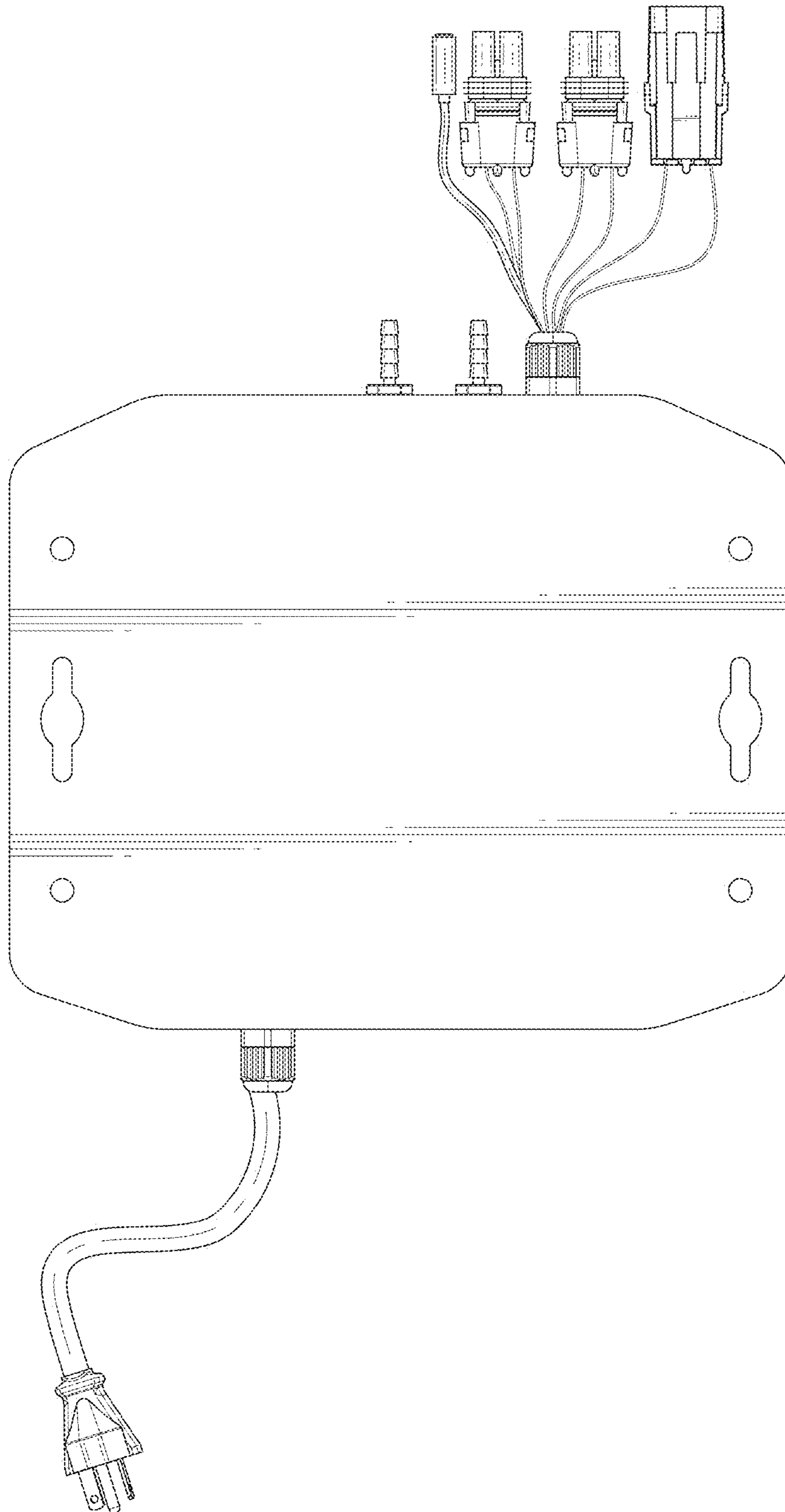


FIG. 7