



US00D936491S

(12) **United States Design Patent** (10) **Patent No.:** **US D936,491 S**
Wachtel et al. (45) **Date of Patent:** **** Nov. 23, 2021**

(54) **DEVICE FOR TEMPERATURE CONTROL IN ROOT ZONE**

D371,832 S * 7/1996 Kelly D23/314
D532,710 S * 11/2006 Sisk D10/60
D554,008 S * 10/2007 Sisk D10/60

(Continued)

(71) Applicant: **Roots Sustainable Agricultural Technologies Ltd.**, Kefar Netter (IL)

FOREIGN PATENT DOCUMENTS

(72) Inventors: **Boaz Wachtel**, Kefar Netter (IL);
Sharon Devir, Kefar Vitkin (IL)

EM 007296199-0001 * 2/2020

(73) Assignee: **ROOTS SUSTAINABLE AGRICULTURAL TECHNOLOGIES LTD.**, Kefar Netter (IL)

OTHER PUBLICATIONS

(**) Term: **15 Years**

Roots Sustainable Agricultural Technologies Ltd to start selling heat exchange probes in California <https://www.proactiveinvestors.co.uk/companies/news/928924/roots-sustainable-agricultural-technologies-to-start-selling-heat-exchange-probes-in-california-928924.html> Sep. 14, 2020 (Year: 2020).*

(21) Appl. No.: **29/714,635**

Primary Examiner — Leanne Was-Englehart

(22) Filed: **Nov. 25, 2019**

(74) *Attorney, Agent, or Firm* — Vorys, Sater, Seymour and Pease LLP; William L. Klima

(51) **LOC (13) Cl.** **10-05**

(52) **U.S. Cl.**
USPC **D10/50**

(57) **CLAIM**

(58) **Field of Classification Search**
USPC D8/1, 2; D10/46, 49, 50, 51, 53, 57;
D23/332, 334, 499

The ornamental design for a device for temperature control in root zone, as shown and described.

CPC G01K 1/026; G01K 1/08; G01N 33/24;
G01N 2033/245; A01G 9/24; A01G 9/245; A01G 29/00; Y02A 40/25; Y02A 40/268

DESCRIPTION

See application file for complete search history.

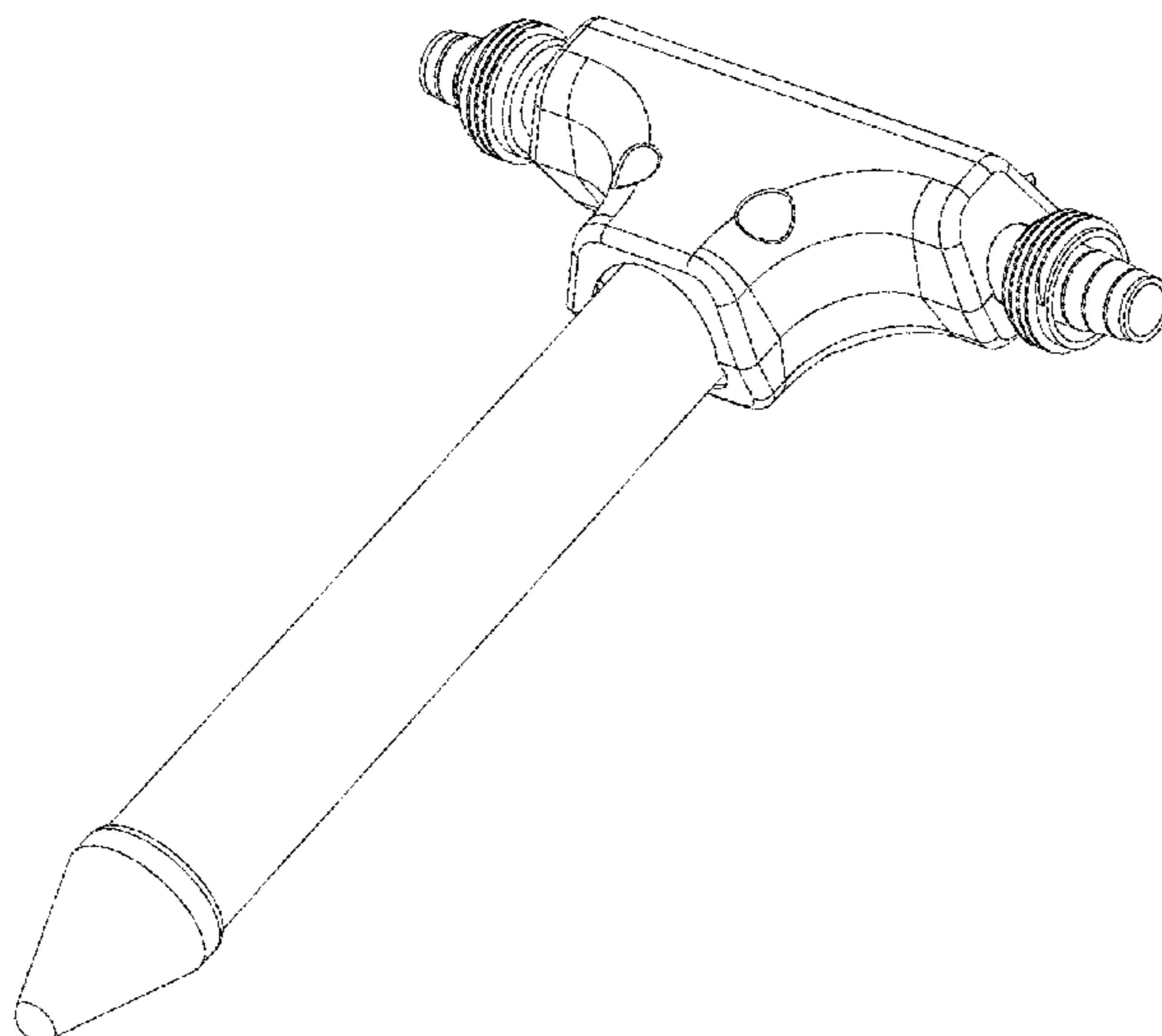
FIG. 1 is a right side perspective view of a device for temperature control in root zone;
FIG. 2 is a top perspective view thereof;
FIG. 3 is a bottom left side perspective view thereof;
FIG. 4 is a front perspective view thereof;
FIG. 5 is a front view thereof; rear view being a mirror image of FIG. 5;
FIG. 6 is a left side view thereof; right side view being identical to FIG. 6;
FIG. 7 is a top view thereof;
FIG. 8 is a bottom view thereof; and,
FIG. 9 is a bottom perspective view thereof.
The broken lines depict portions of the device for temperature control in root zone that form no part of the claimed design.

(56) **References Cited**

U.S. PATENT DOCUMENTS

2,365,487 A * 12/1944 Murray G01K 1/08
374/207
3,618,539 A * 11/1971 Daniels A01G 29/00
111/7.4
3,659,536 A * 5/1972 White A01C 23/026
111/7.1
4,411,101 A * 10/1983 Springer A01G 9/245
47/2
4,445,788 A * 5/1984 Twersky G01K 1/026
374/142

1 Claim, 9 Drawing Sheets



(56)

References Cited

U.S. PATENT DOCUMENTS

D852,651 S * 7/2019 Basu D10/52
2014/0259916 A1* 9/2014 Janney A01G 31/02
47/66.6

* cited by examiner

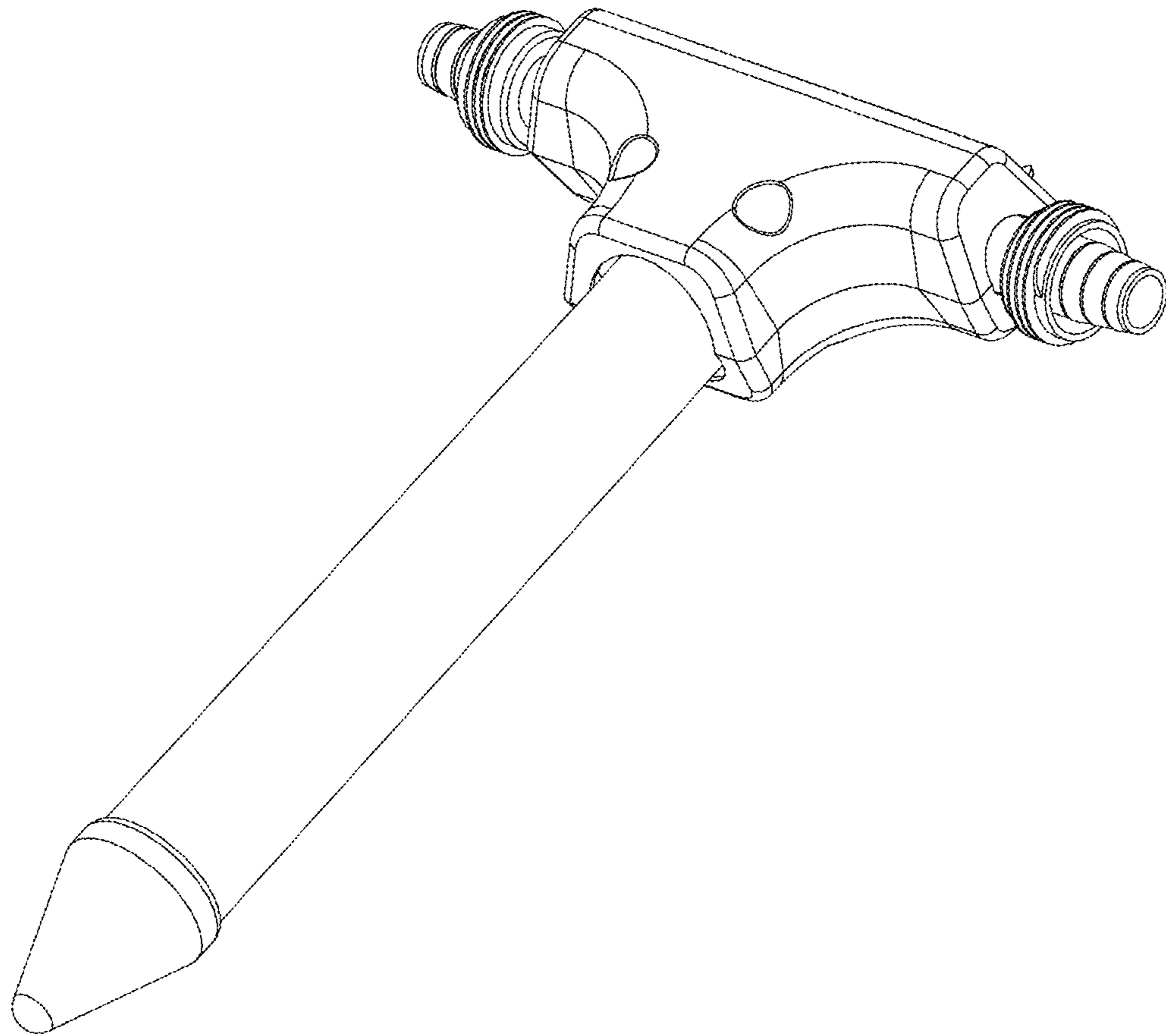


FIG. 1

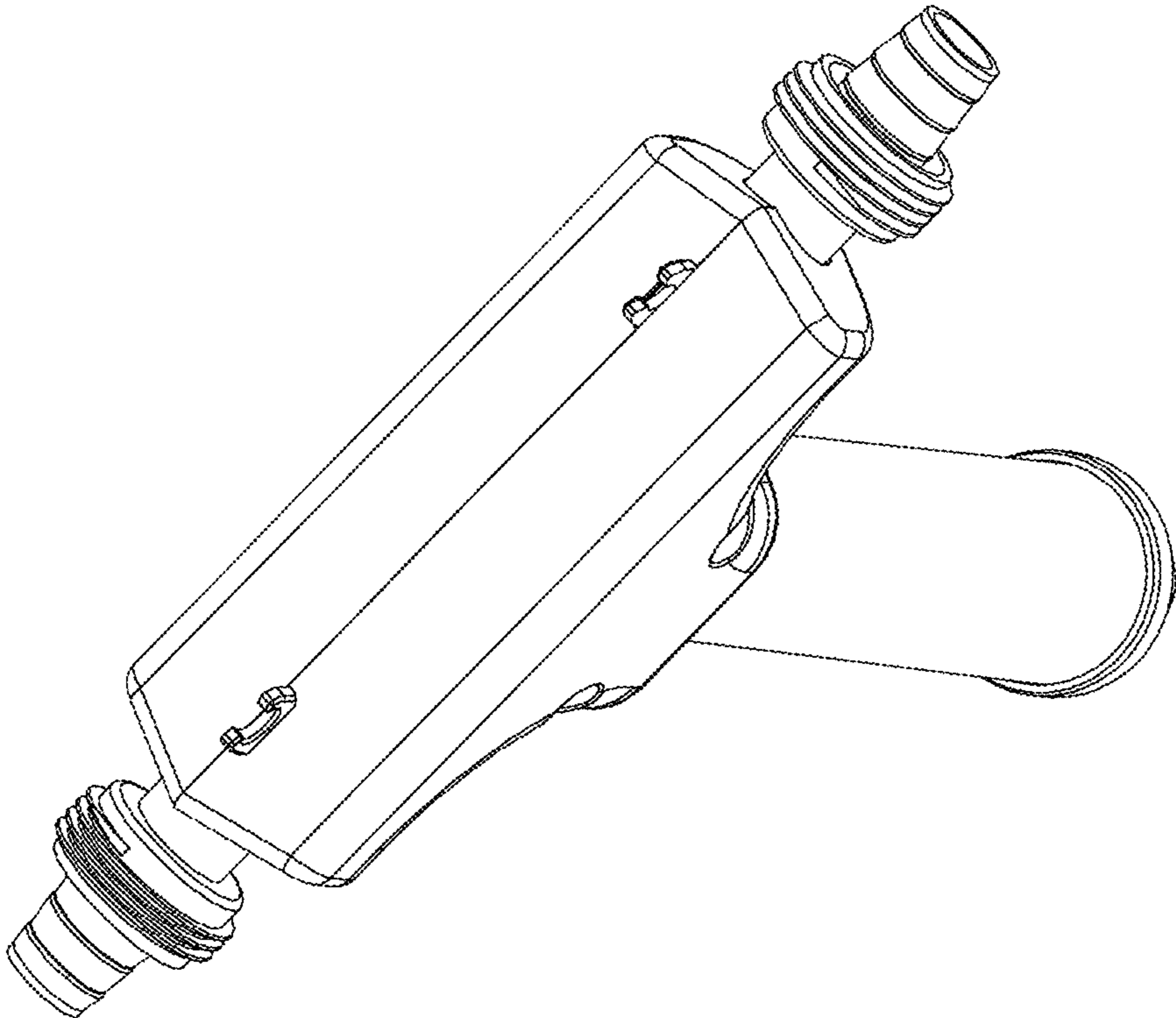


FIG. 2

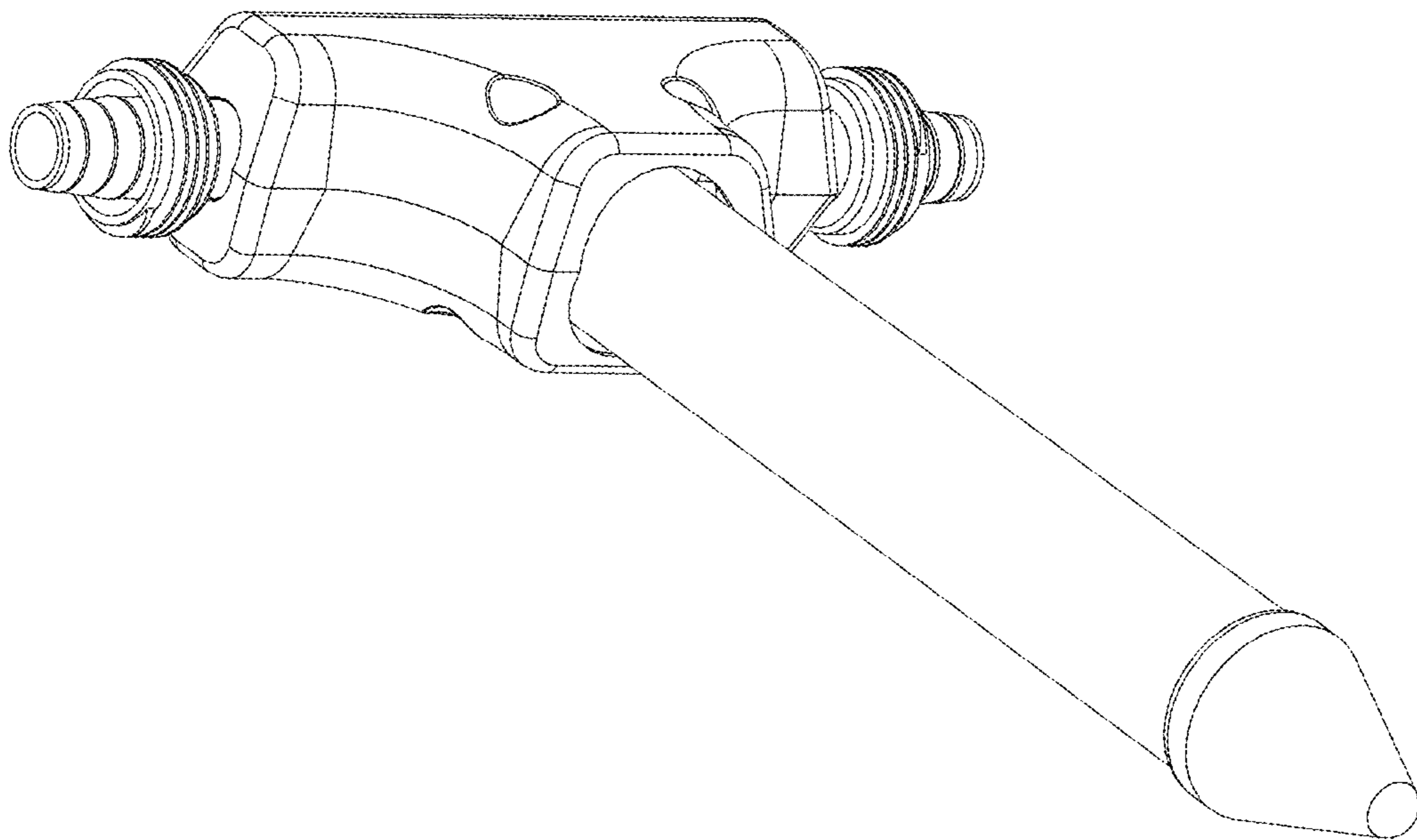


FIG. 3

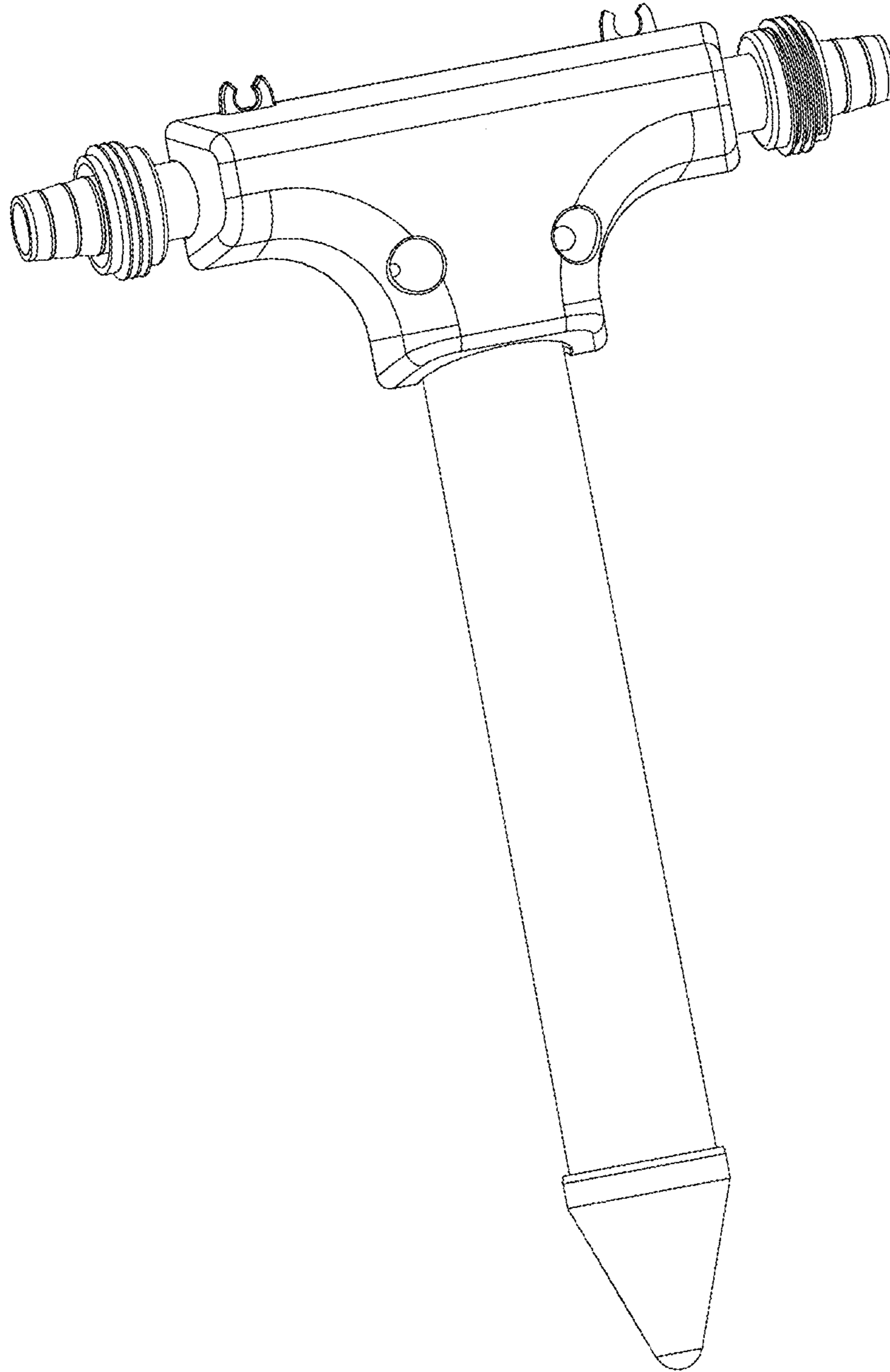


FIG. 4

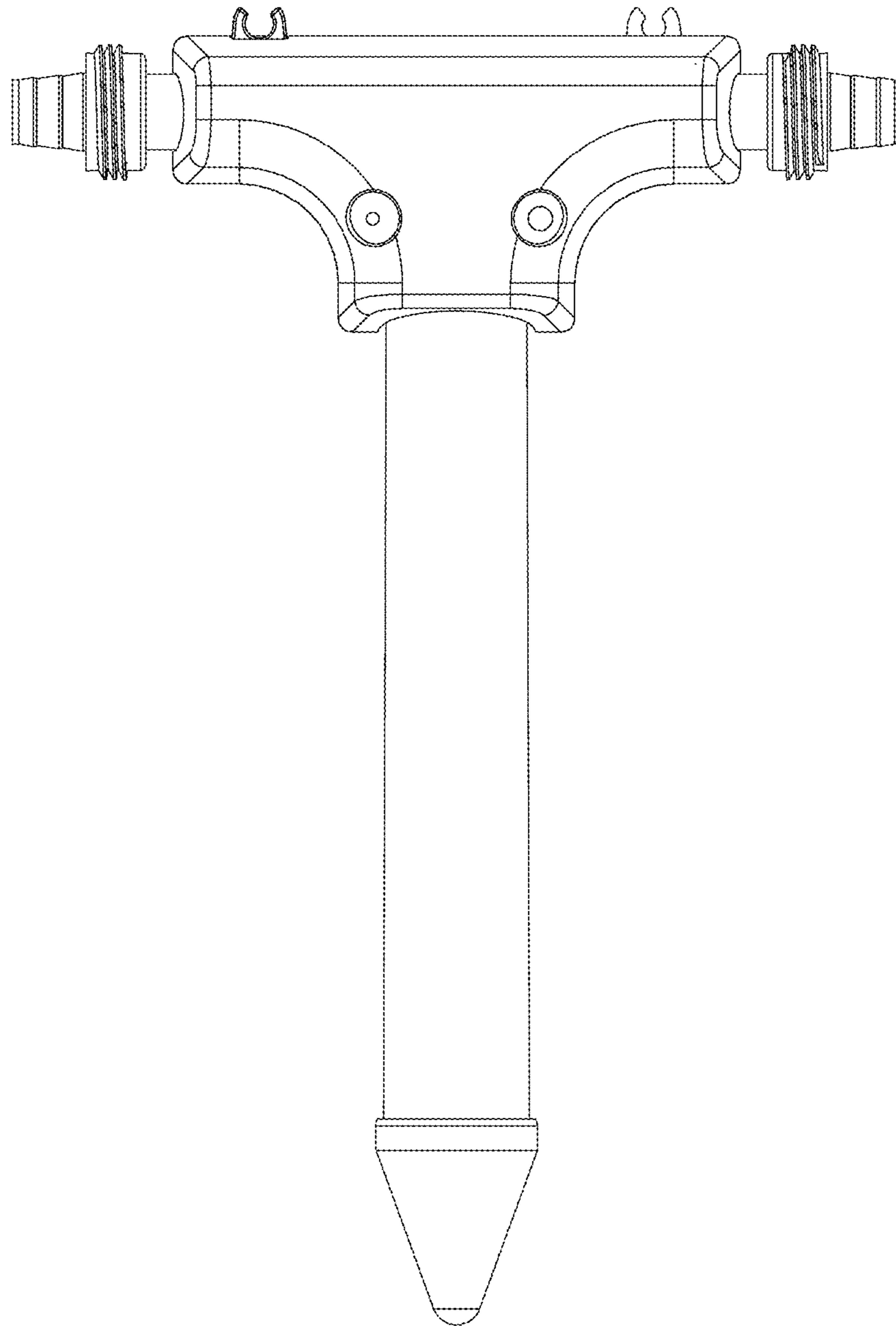


FIG. 5

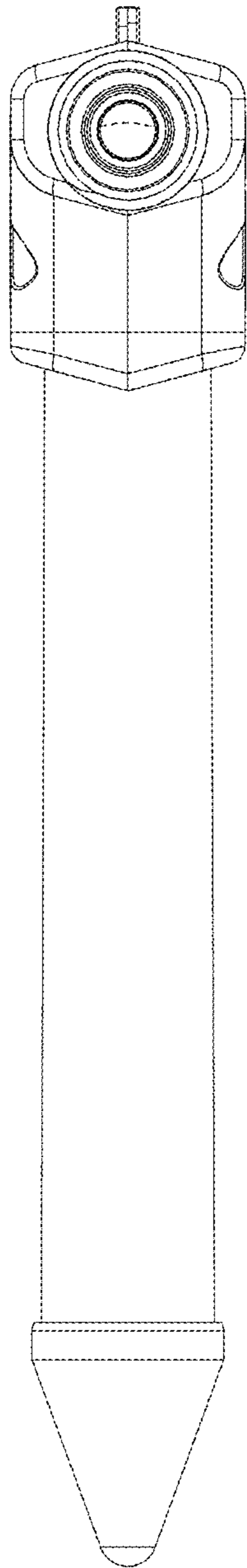


FIG. 6

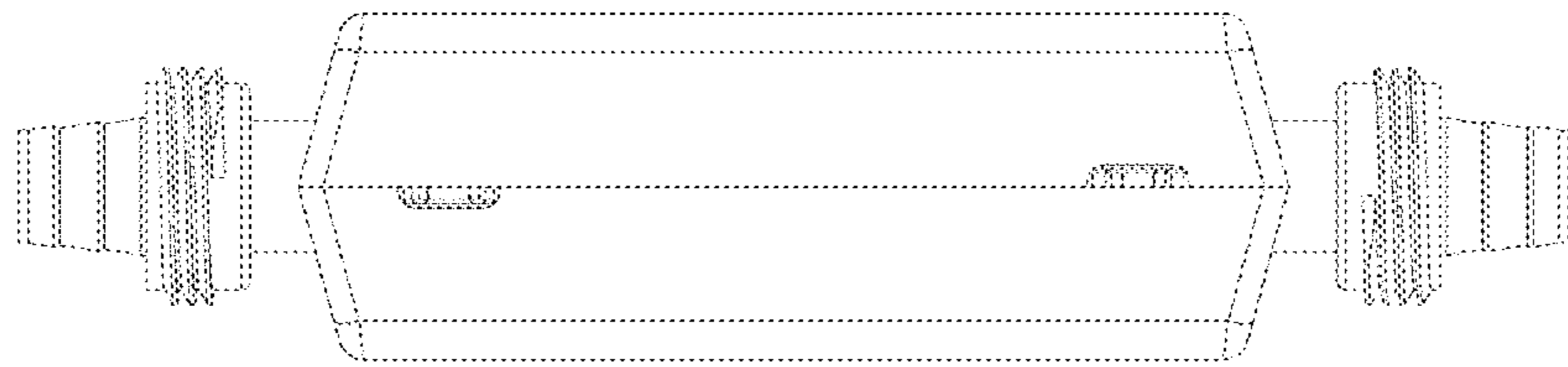


FIG. 7

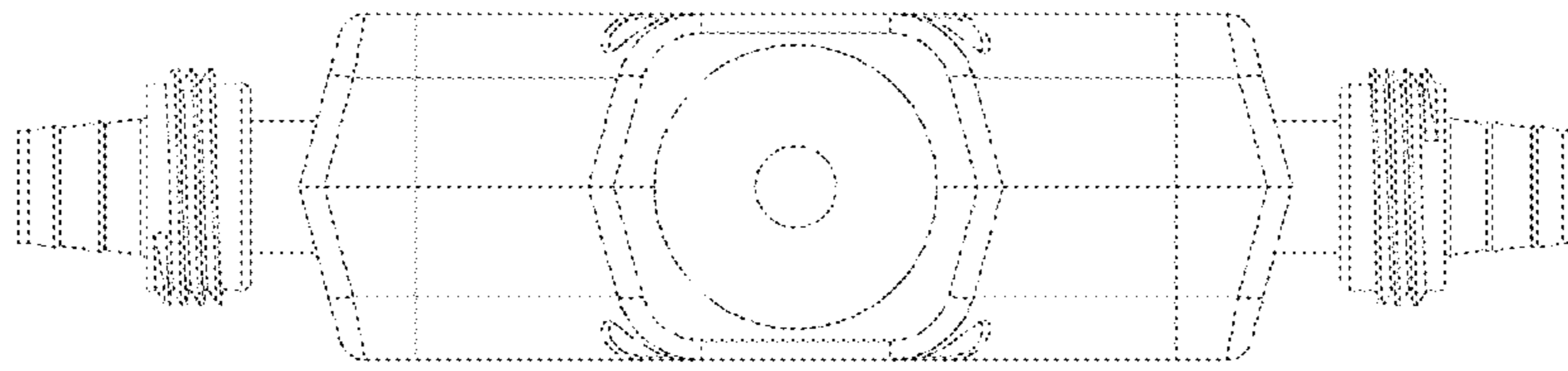


FIG. 8

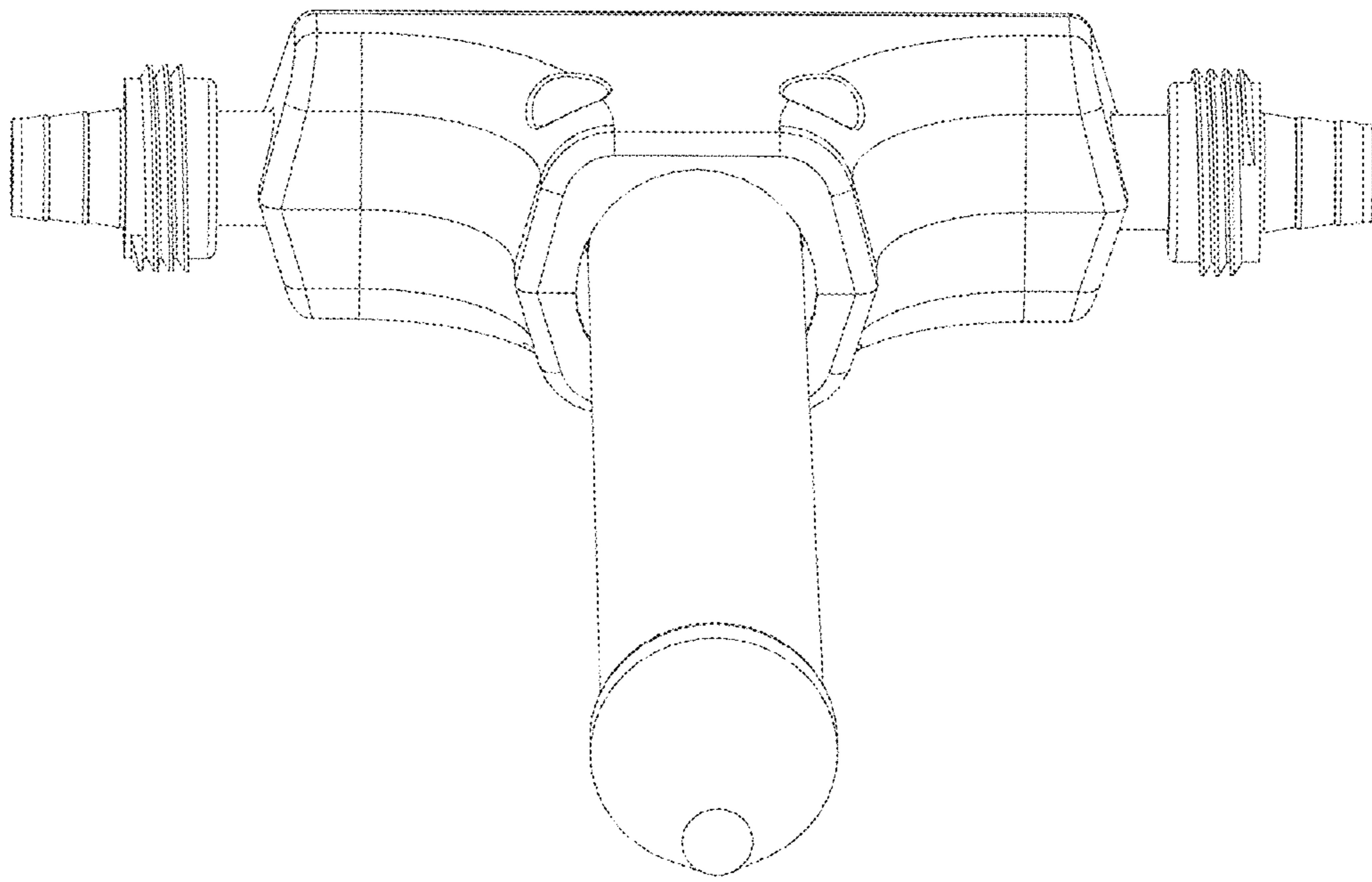


FIG. 9