



US00D936490S

(12) **United States Design Patent** (10) **Patent No.:** **US D936,490 S**
Geiser et al. (45) **Date of Patent:** **** Nov. 23, 2021**

(54) **WHEELED GROUND PENETRATING RADAR**

(58) **Field of Classification Search**
USPC D10/47
See application file for complete search history.

(71) Applicant: **Proceq AG**, Schwerzenbach (CH)

(56) **References Cited**

(72) Inventors: **Michael Geiser**, Zürich (CH); **Thomas Knorr**, Zürich (CH); **Samuel Lehner**, Zürich (CH); **Therese Naef**, Nussbaumen (CH); **Isaak Tsalicoglou**, Schwerzenbach (CH); **Marcel Poser**, Oberuzwil (CH)

U.S. PATENT DOCUMENTS

D700,073 S * 2/2014 Lintner D10/47
D700,074 S * 2/2014 Lintner D10/47
D885,941 S * 6/2020 Keevy D10/47

* cited by examiner

(73) Assignee: **PROCEQ AG**, Schwerzenbach (CH)

Primary Examiner — George D. Kirschbaum

(**) Term: **15 Years**

(74) *Attorney, Agent, or Firm* — Muncy, Geissler, Olds & Lowe, P.C.

(21) Appl. No.: **35/509,621**

(57) **CLAIM**

The ornamental design for a wheeled ground penetrating radar, as shown and described.

(22) Filed: **Feb. 14, 2020**

DESCRIPTION

(80) **Hague Agreement Data**

Int. Filing Date: **Feb. 14, 2020**

Int. Reg. No.: **DM/208615**

Int. Reg. Date: **Feb. 14, 2020**

Int. Reg. Pub. Date: **Jun. 19, 2020**

2. Wheeled ground penetrating radar

2.1 : Perspective

2.2 : Perspective

2.3 : Perspective

2.4 : Perspective

2.5: Front

2.6 : Back

2.7 : Left

2.8 : Right

2.9 : Top

2.10 : Bottom

(30) **Foreign Application Priority Data**

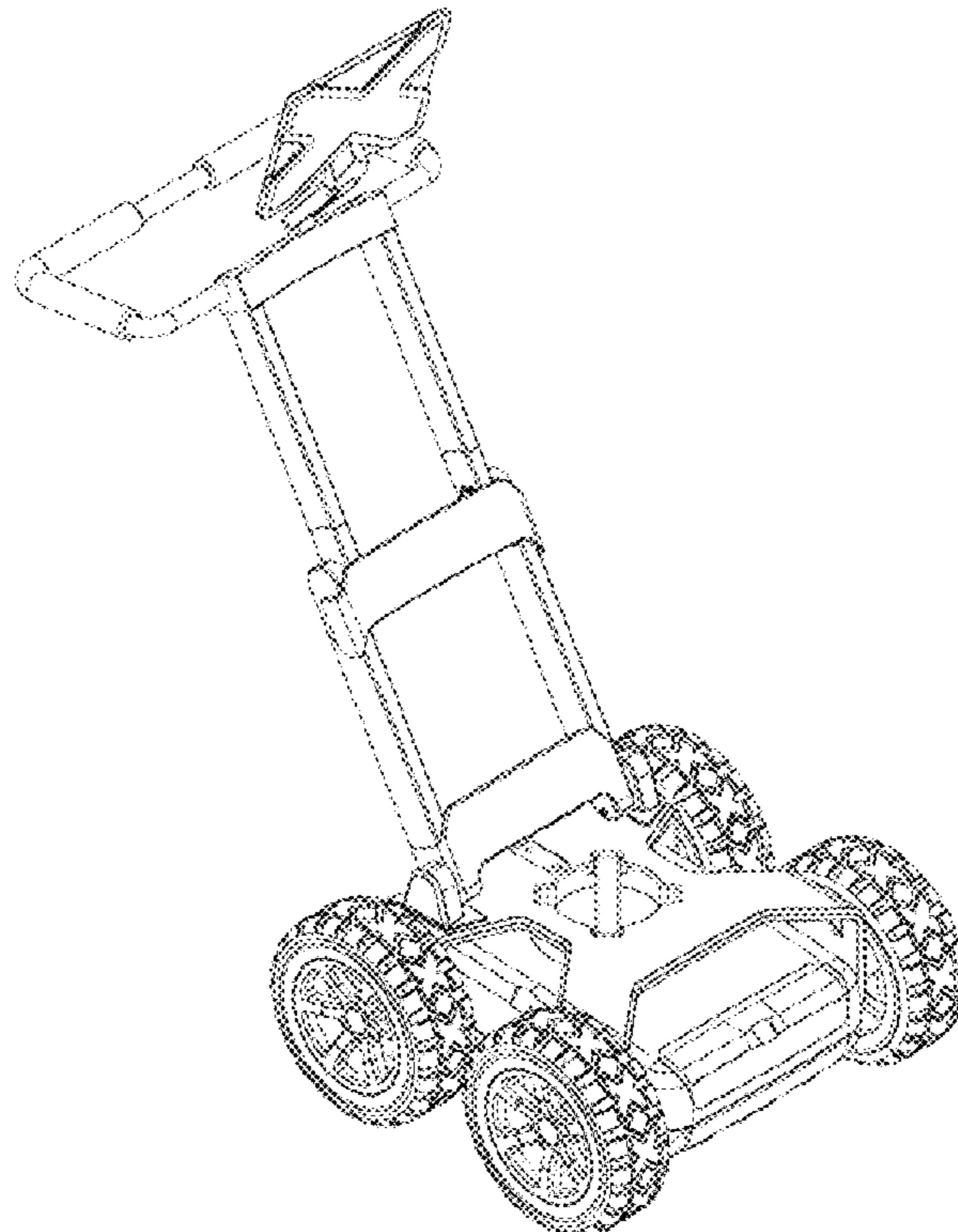
Aug. 15, 2019 (CH) 144845

Jan. 30, 2020 (CH) 145120

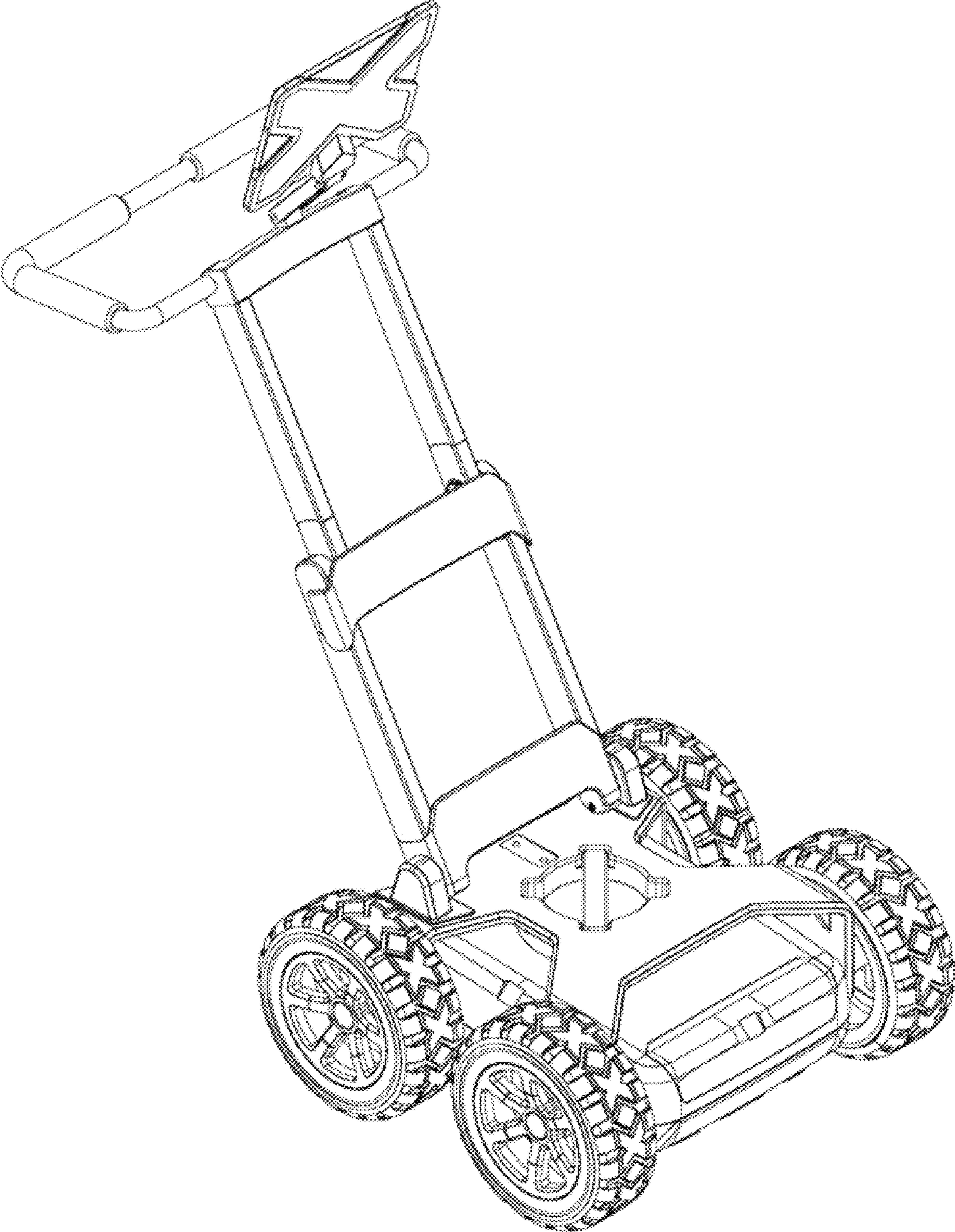
(51) **LOC (13) Cl.** **10-04**

(52) **U.S. Cl.**
USPC **D10/47**

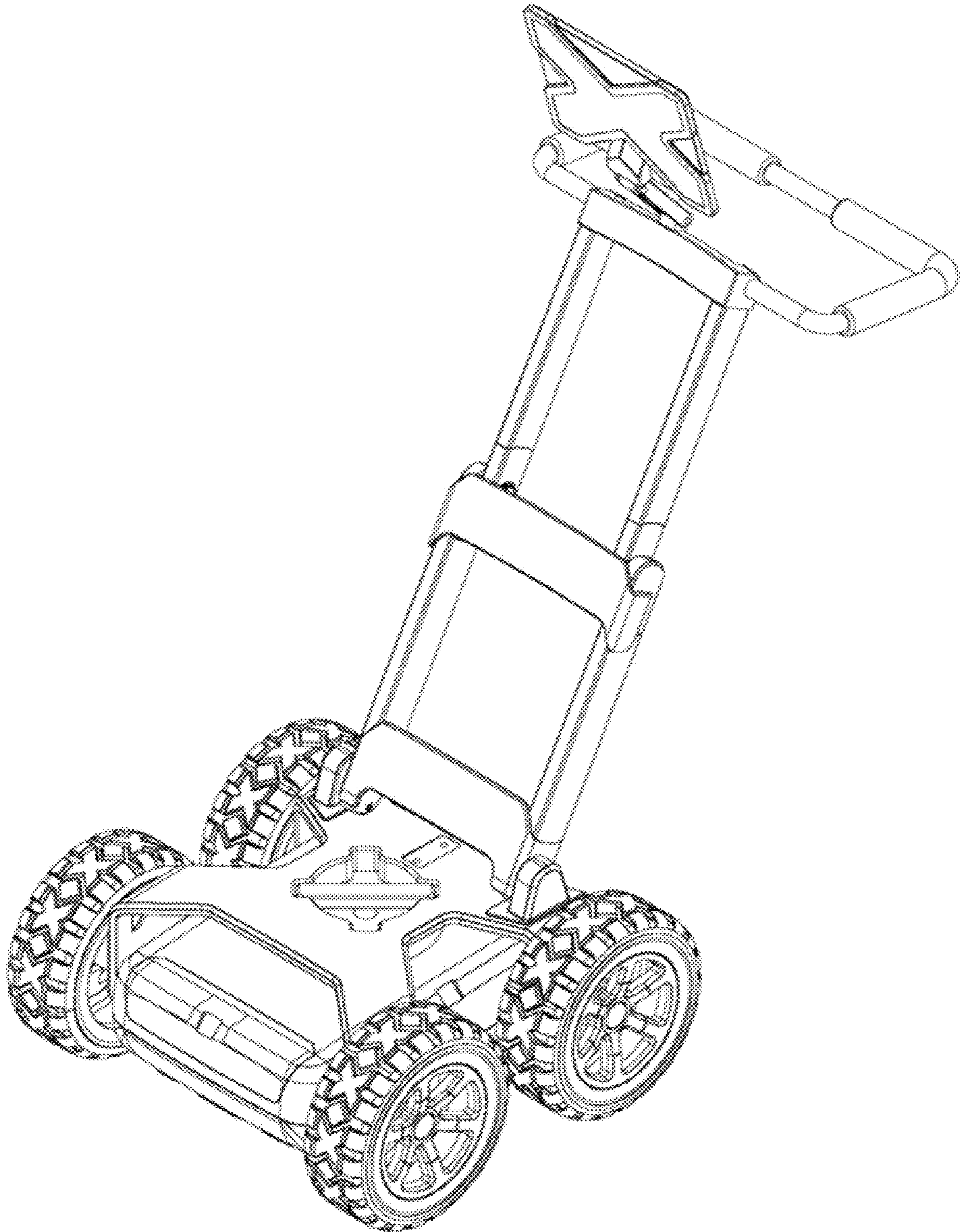
1 Claim, 8 Drawing Sheets



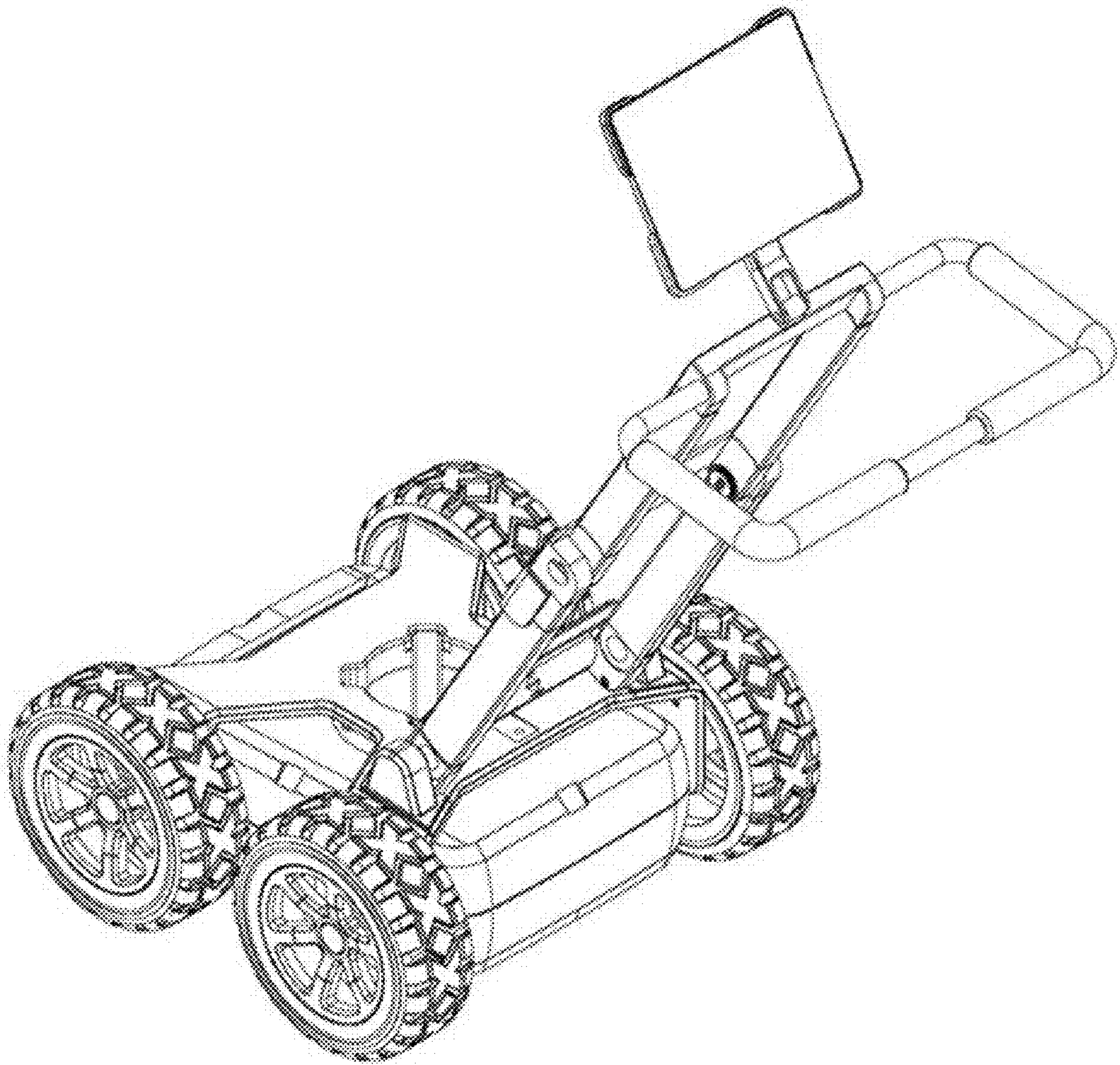
2.1



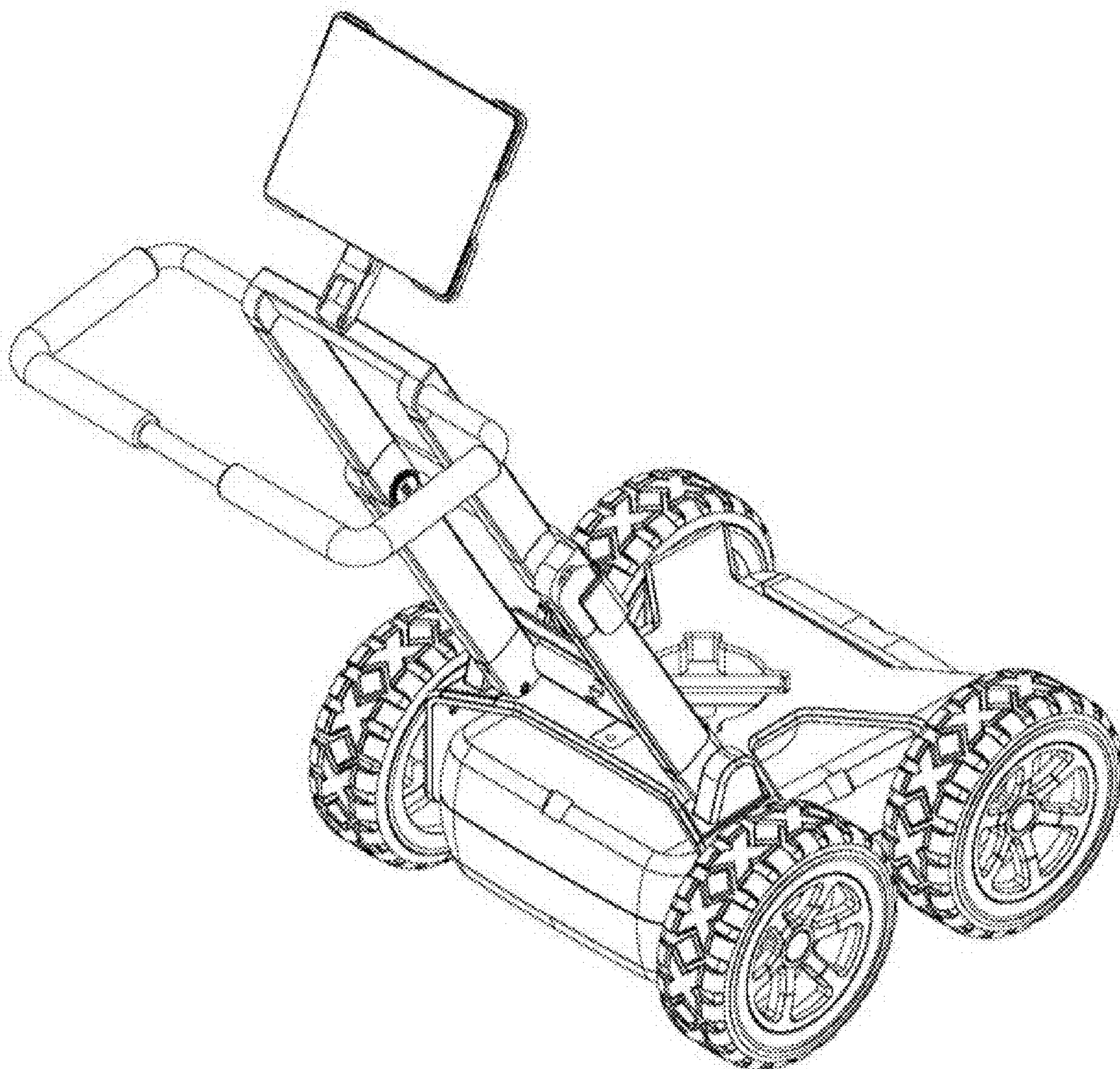
2.2



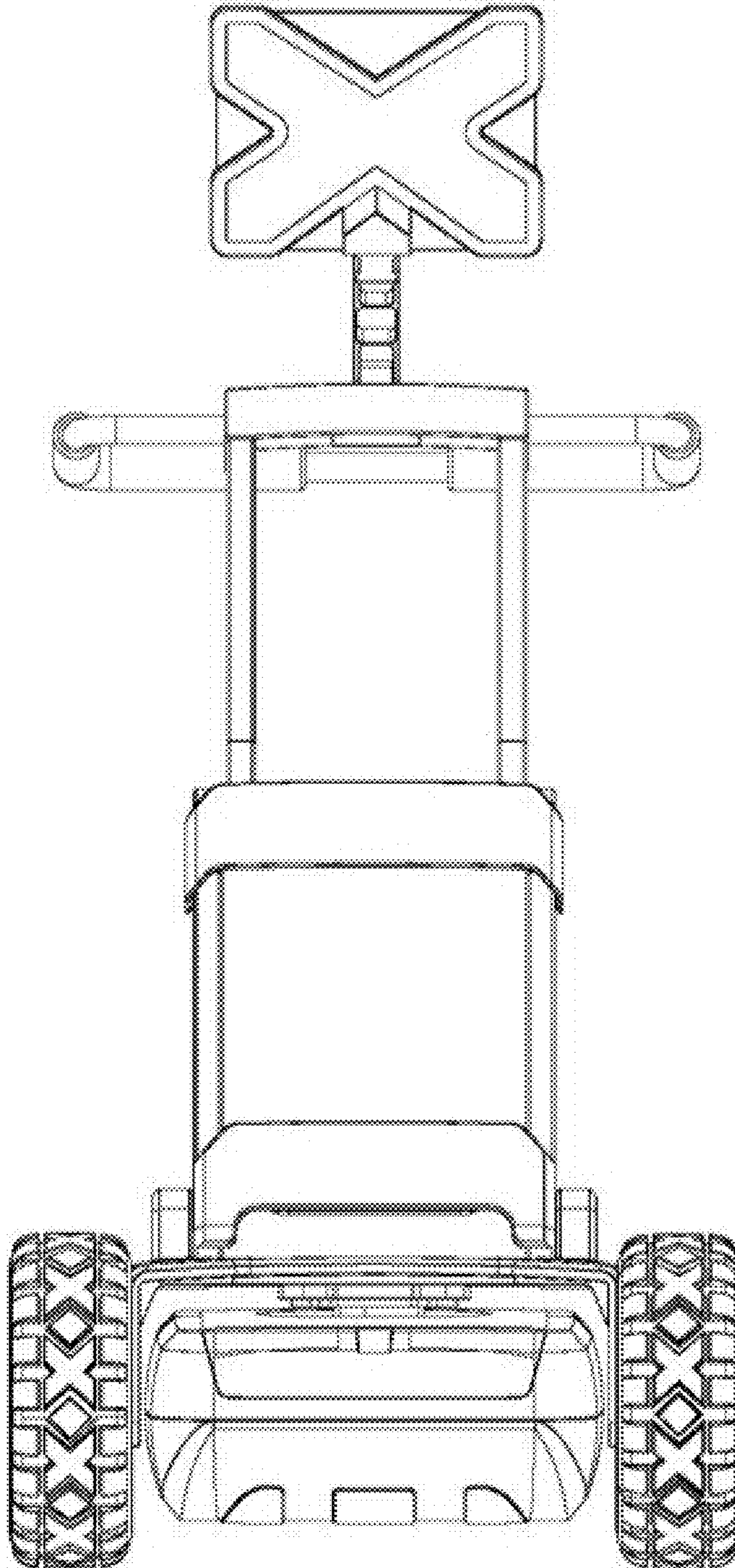
2.3



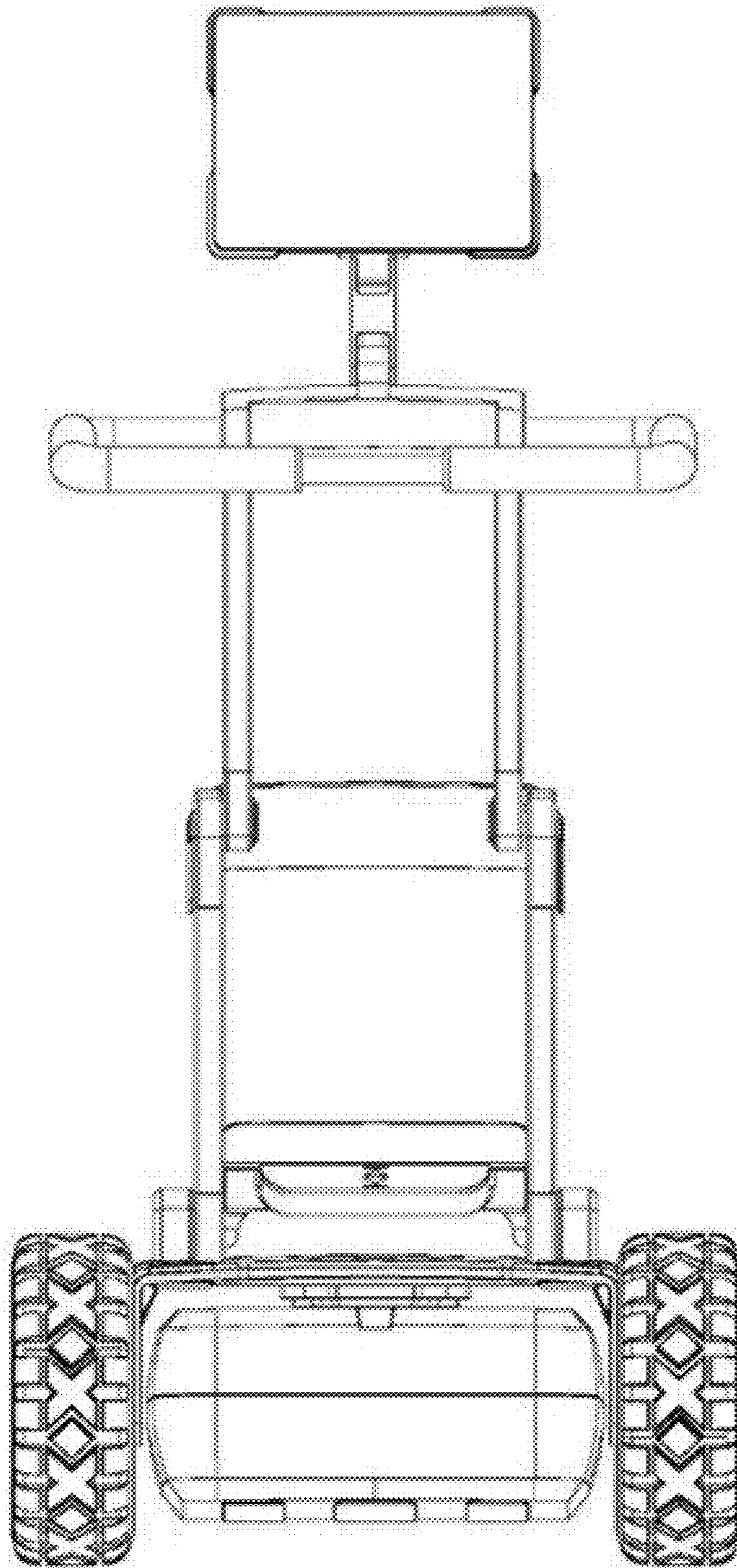
2.4



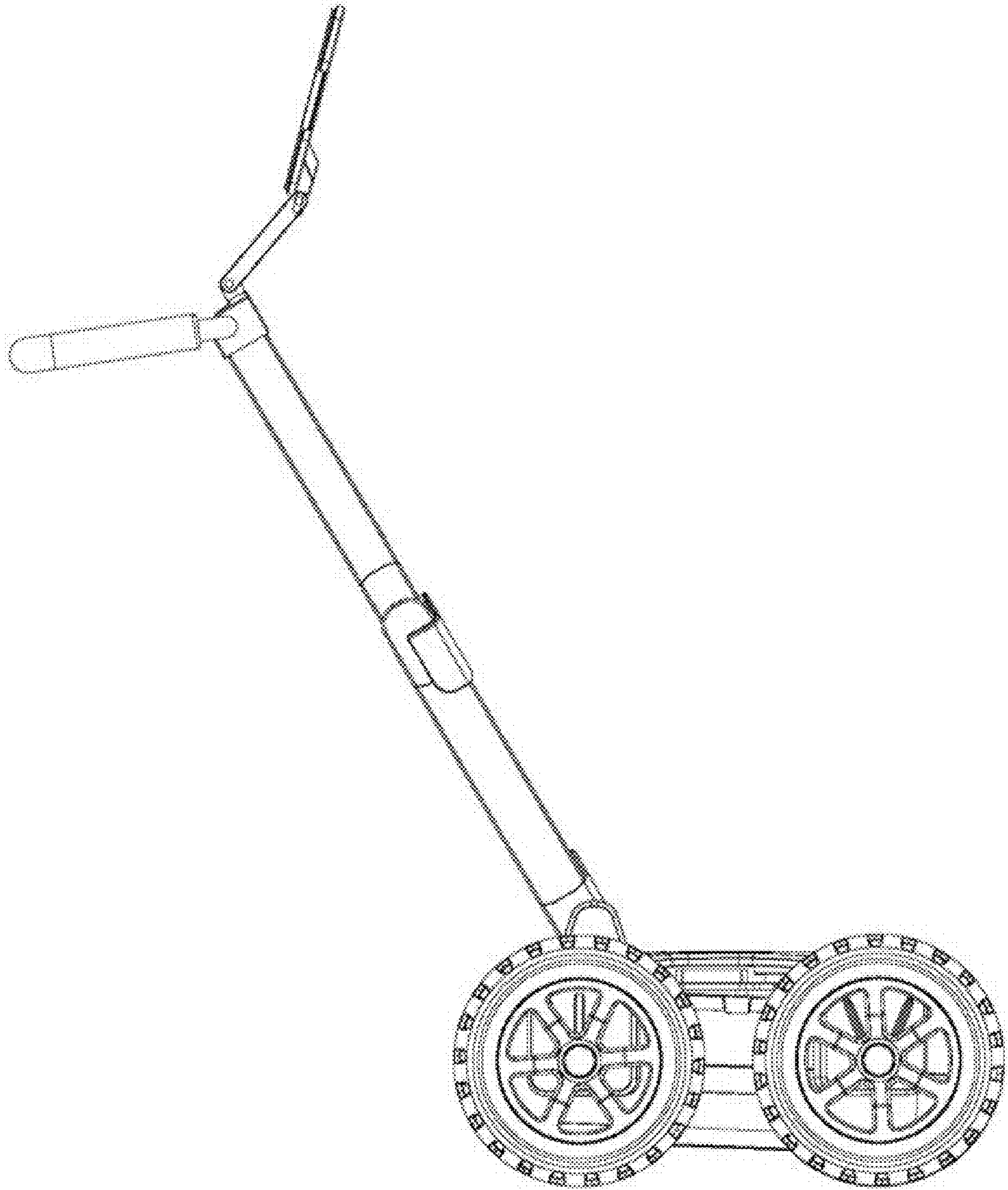
2.5



2.6



2.7



2.8

