

US00D936482S

(12) **United States Design Patent**
Tapocik

(10) **Patent No.:** **US D936,482 S**

(45) **Date of Patent:** **** Nov. 23, 2021**

(54) **BOTTLE**

(71) Applicant: **Bryan Tapocik**, Highland, CA (US)

(72) Inventor: **Bryan Tapocik**, Highland, CA (US)

(73) Assignee: **Innovative Product Brands, Inc.**,
Highland, CA (US)

(**) Term: **15 Years**

(21) Appl. No.: **29/662,432**

(22) Filed: **Sep. 5, 2018**

(51) **LOC (13) Cl.** **09-01**

(52) **U.S. Cl.**
USPC **D9/556; D9/453; D9/454; D9/503;**
D9/520

(58) **Field of Classification Search**
USPC D9/434-435, 454, 500, 503-505, 516,
D9/549, 558, 715, 723, 725-728
CPC B65D 1/00; B65D 1/02; B65D 1/0223;
B65D 23/00; B65D 51/32; B65D
2501/00; B65D 2501/0009
See application file for complete search history.

(56) **References Cited**

U.S. PATENT DOCUMENTS

D86,082 S * 1/1932 Friedman D28/76
D364,801 S * 12/1995 Kuhn D9/503

D404,303 S * 1/1999 Webster D9/443
D413,799 S * 9/1999 Schlatter D9/727
D425,411 S * 5/2000 May D9/730
D559,702 S * 1/2008 Althoff D9/692
D618,561 S * 6/2010 Lee D9/726
D645,763 S * 9/2011 Lee D9/725
D800,572 S * 10/2017 Creighton D9/556
D826,066 S * 8/2018 Creighton D9/689

* cited by examiner

Primary Examiner — Dana Meyrow

(74) *Attorney, Agent, or Firm* — Minta Law Group LC

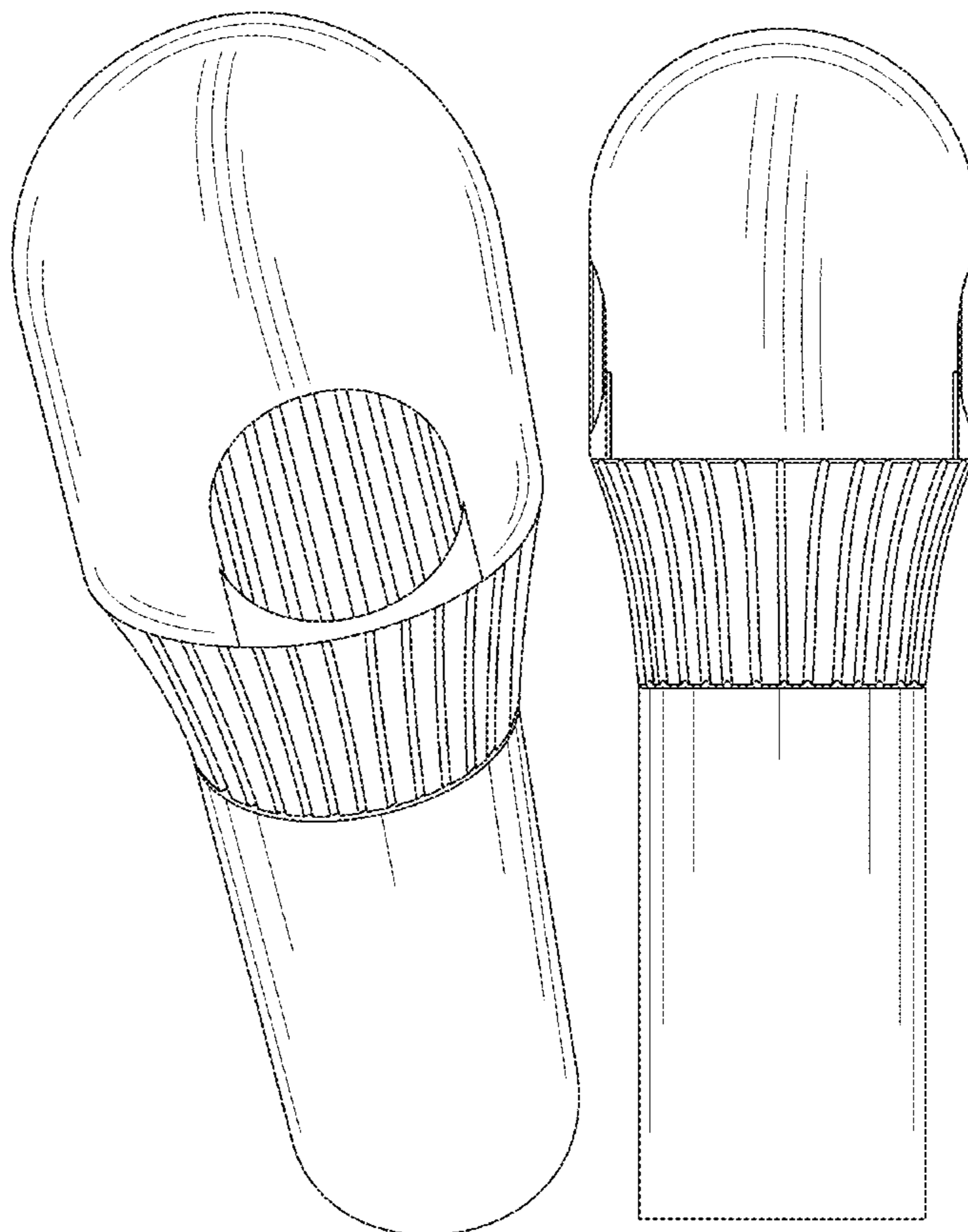
(57) **CLAIM**

The ornamental design for a bottle, as shown and described.

DESCRIPTION

FIG. 1 is a front, side perspective view of the bottle, showing my new design;
FIG. 2 is a bottom rear side perspective view thereof;
FIG. 3 is a front side elevational view thereof;
FIG. 4 is a rear elevational view thereof;
FIG. 5 is a left side view thereof;
FIG. 6 is a right side view thereof;
FIG. 7 is a top plan view thereof; and,
FIG. 8 is a bottom plan view thereof.

1 Claim, 5 Drawing Sheets



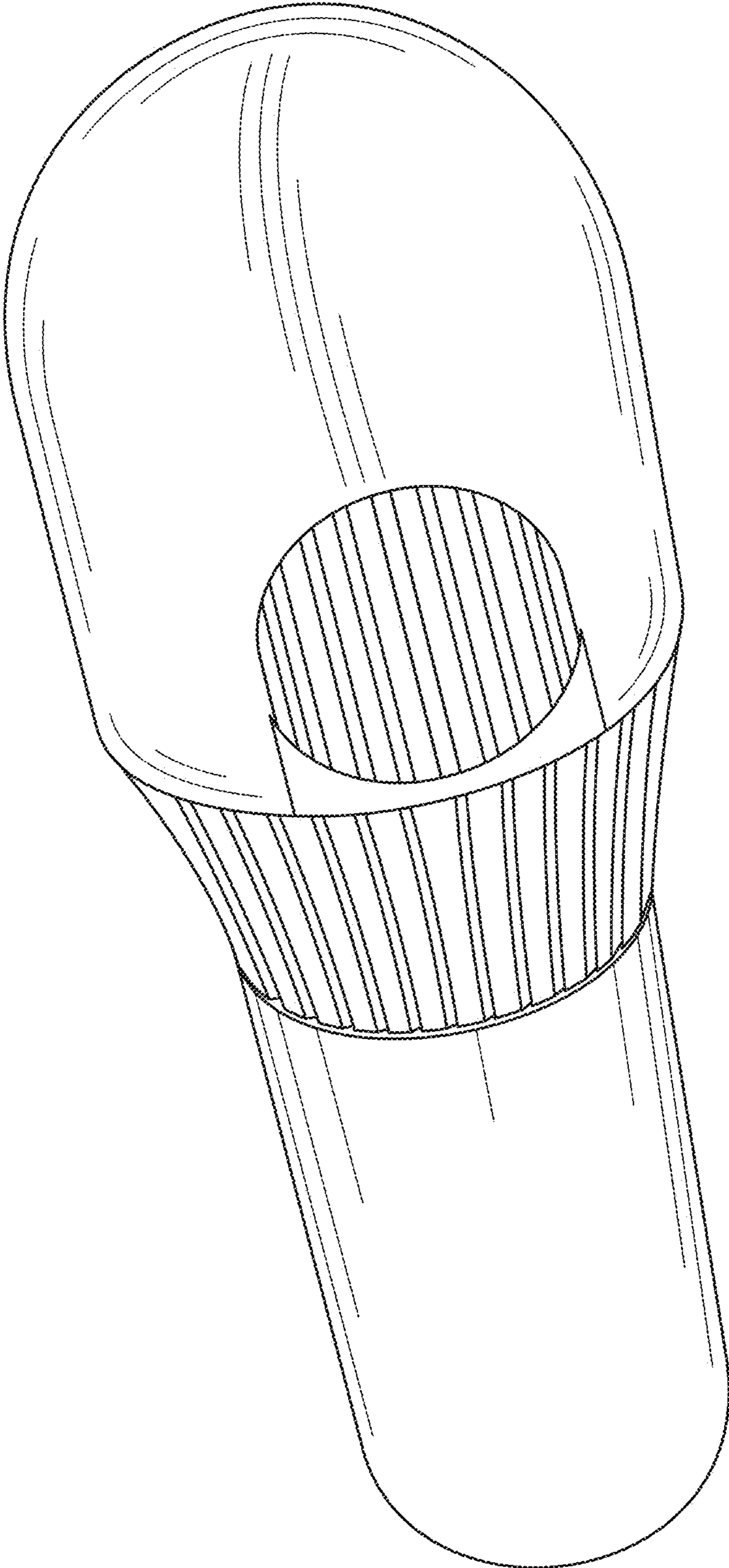


FIG. 1

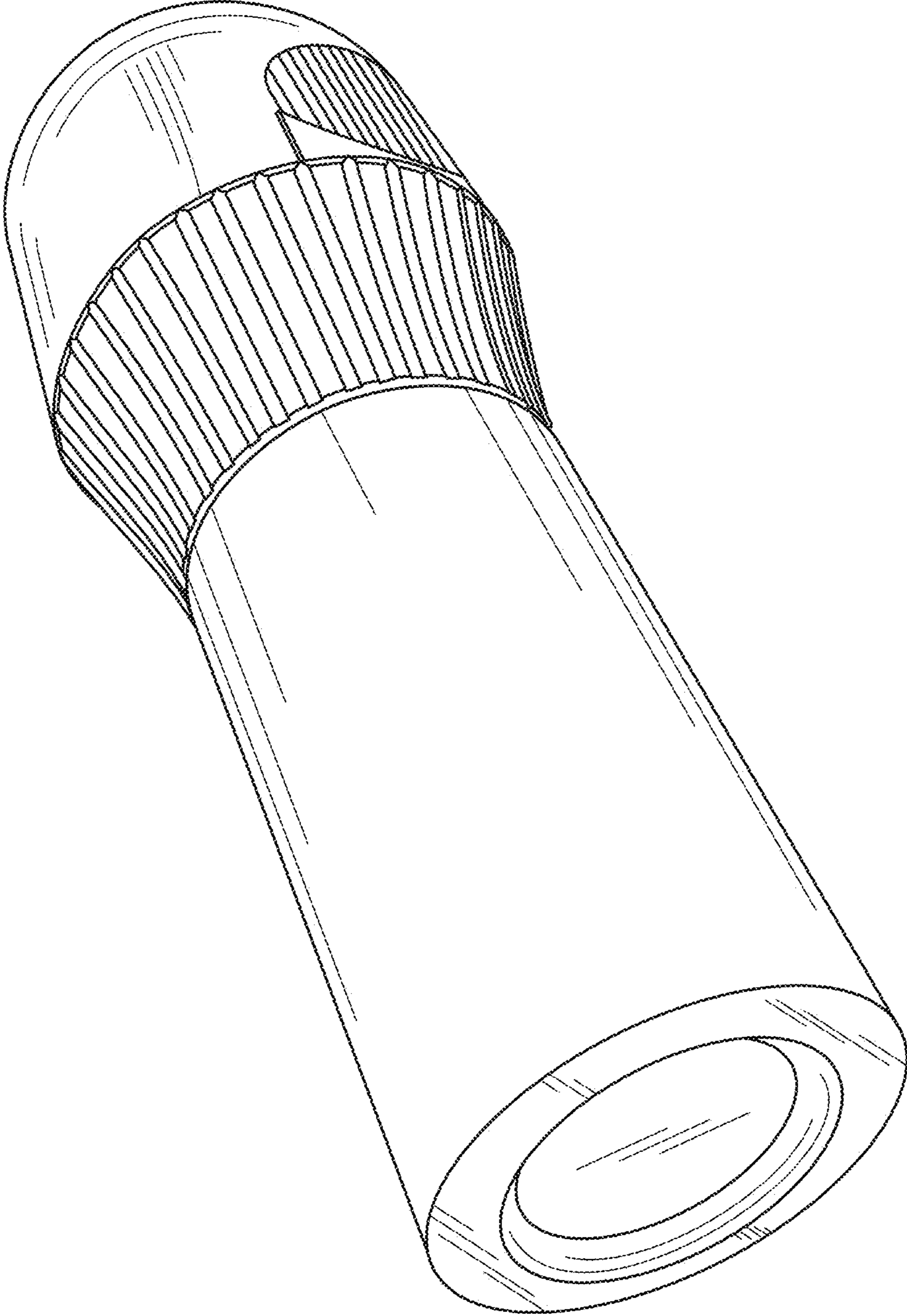


FIG. 2

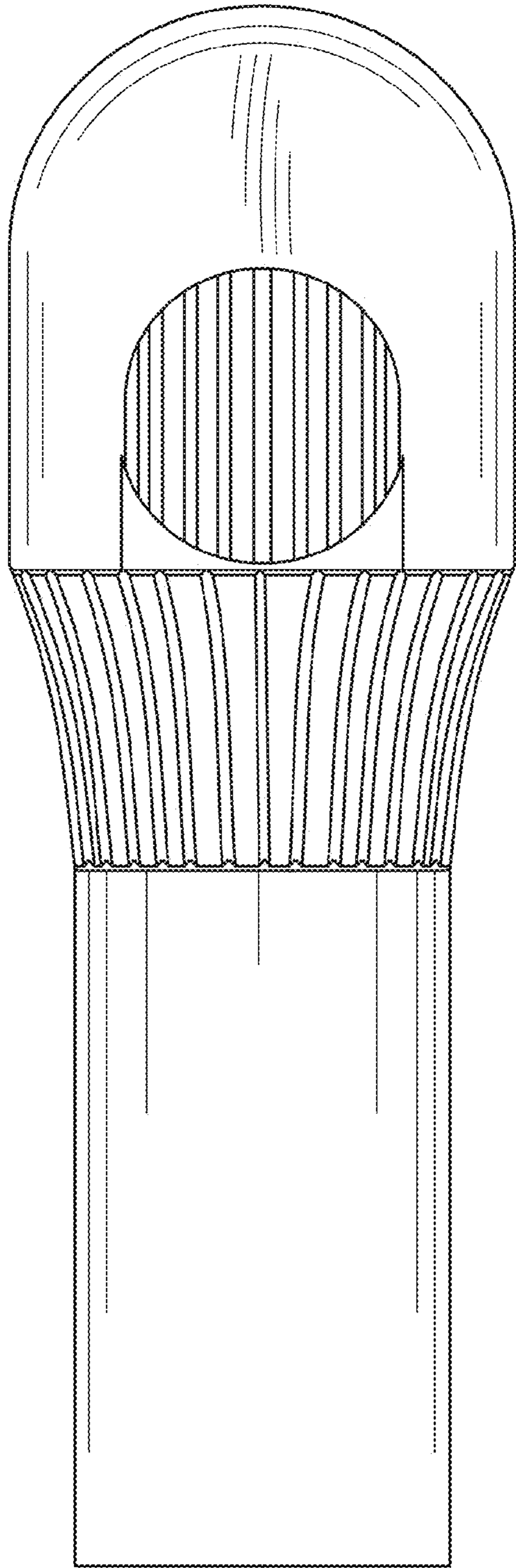


FIG. 3

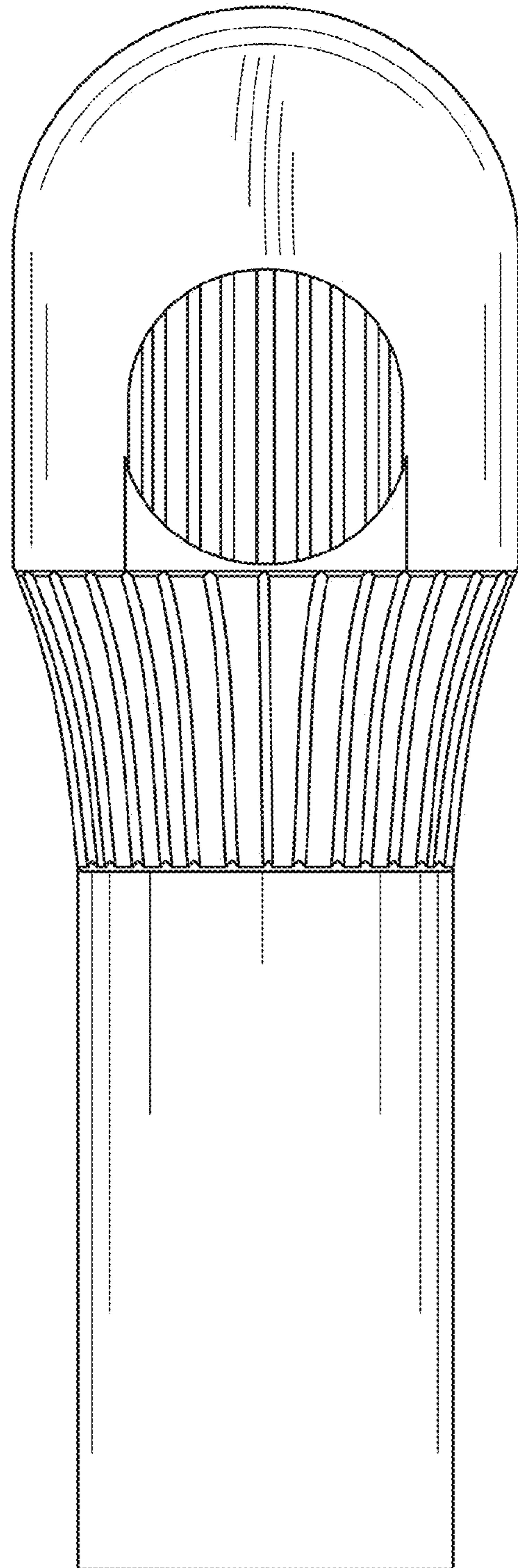


FIG. 4

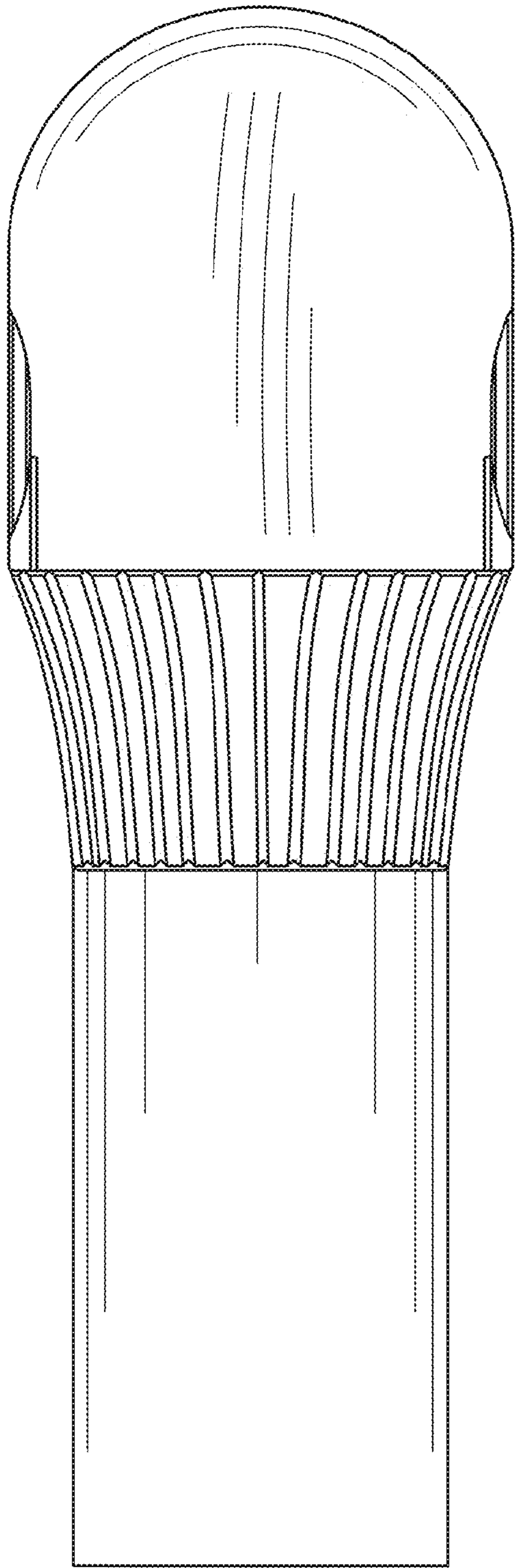


FIG. 5

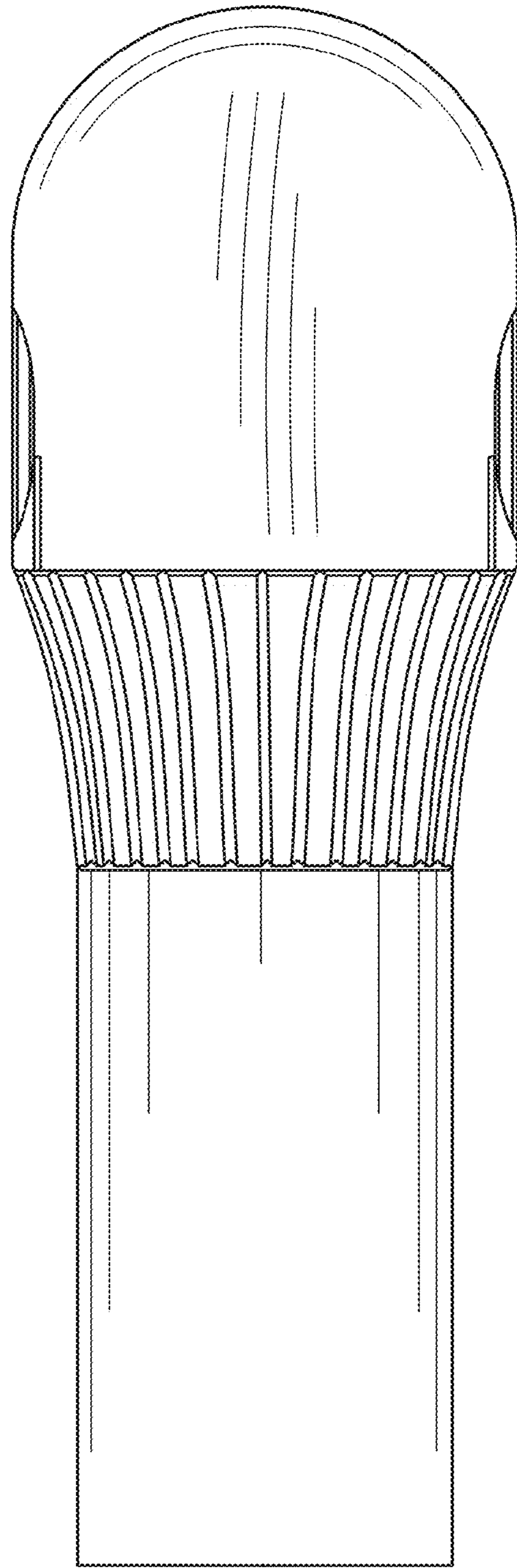


FIG. 6

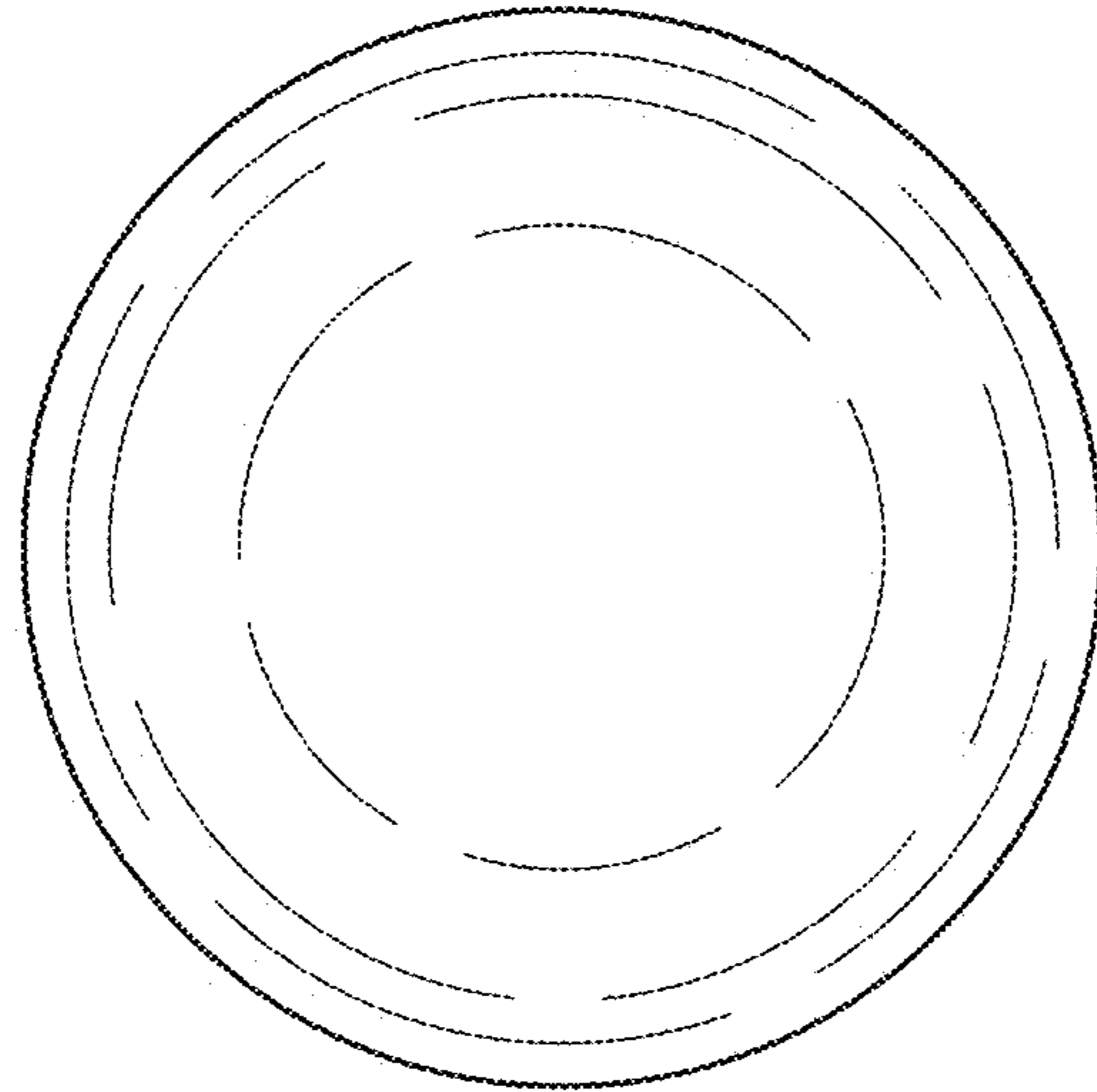


FIG. 7

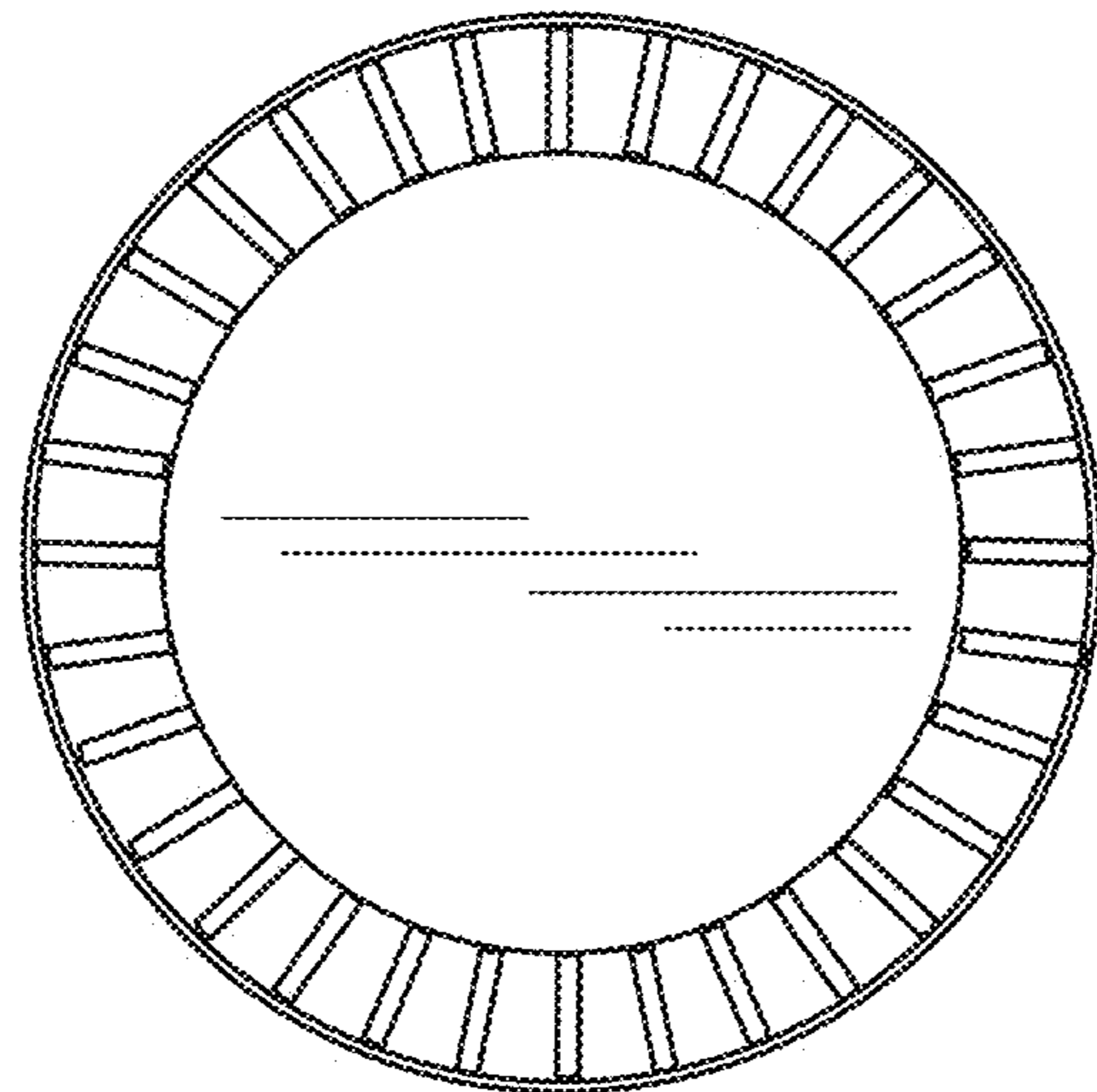


FIG. 8