



US00D936481S

(12) **United States Design Patent** (10) **Patent No.:** **US D936,481 S**  
**Newell** (45) **Date of Patent:** **\*\* Nov. 23, 2021**

(54) **NAIL POLISH BOTTLE**

FOREIGN PATENT DOCUMENTS

(71) Applicant: **BETHANY NEWELL LLC**, New York, NY (US)

JP 1358934 10/2004

(72) Inventor: **Bethany Newell**, New York, NY (US)

OTHER PUBLICATIONS

(73) Assignee: **BETHANY NEWELL LLC**, New York, NY (US)

<https://www.youtube.com/watch?v=e5hhh68cfi0> (Year: 2018).\*  
(Continued)

(\*\*) Term: **15 Years**

*Primary Examiner* — Catherine S Posthauer

(21) Appl. No.: **29/704,974**

(74) *Attorney, Agent, or Firm* — Kilpatrick Townsend & Stockton LLP

(22) Filed: **Sep. 9, 2019**

(57) **CLAIM**

The ornamental design for a nail polish bottle, as shown and described.

(51) **LOC (13) Cl.** ..... **09-01**

**DESCRIPTION**

(52) **U.S. Cl.**

USPC ..... **D9/529**; D4/116

(58) **Field of Classification Search**

USPC ..... D9/432, 434–436, 445, 452, 516, 529, D9/544, 546, 559, 560, 564, 565, D9/570–575, 715, 719, 503; D28/4, 7, D28/76, 83, 85; D4/116

CPC ..... B65D 21/0204; B65D 2501/0081; A45D 40/0068; A45D 33/00; A45D 33/34

See application file for complete search history.

FIG. 1 is a top perspective exploded view of a nail polish bottle.

FIG. 2 is a front side elevation view of the nail polish bottle of FIG. 1.

FIG. 3 is a rear side elevation view of the nail polish bottle of FIG. 1.

FIG. 4 is a left side elevation view of the nail polish bottle of FIG. 1.

FIG. 5 is a right side elevation view of the nail polish bottle of FIG. 1.

FIG. 6 is a top plan view of the nail polish bottle of FIG. 1.

FIG. 7 is a bottom plan view of the nail polish bottle of FIG. 1.

FIG. 8 is a top perspective view of the nail polish bottle of FIG. 1, shown with the inner cap assembled with the bottle and the outer cap removed; and,

FIG. 9 is a top perspective view of the nail polish bottle of FIG. 1, shown with both the inner and outer caps assembled with the bottle.

The evenly dotted broken lines in the drawings illustrate unclaimed features of the nail polish bottle and form no part of the claimed design.

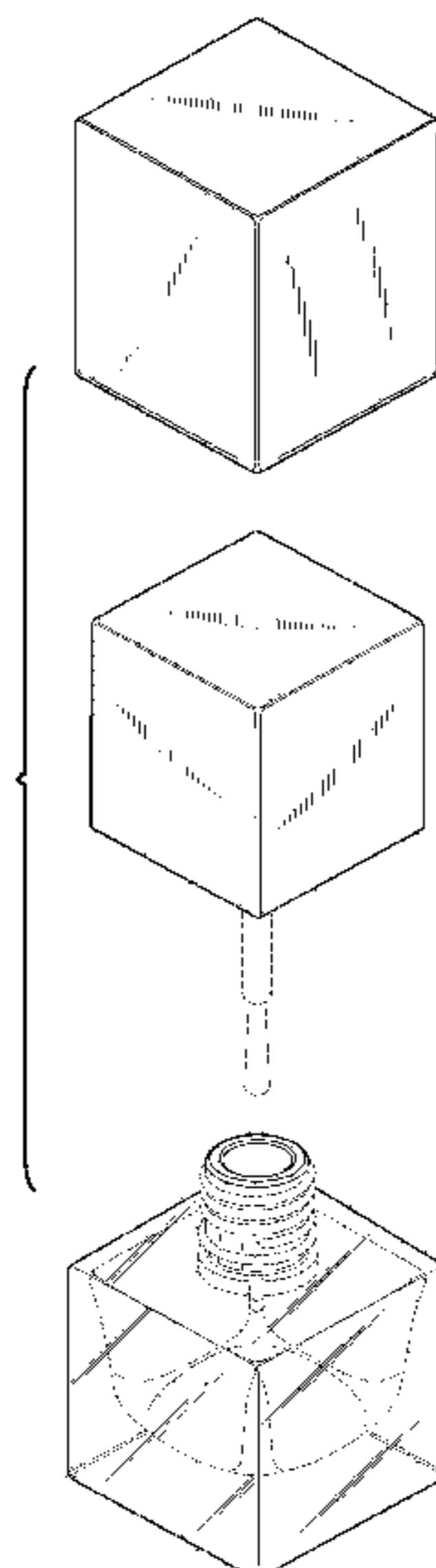
(56) **References Cited**

U.S. PATENT DOCUMENTS

D241,013 S *	8/1976	Dekker	.....	D9/529
D259,023 S *	4/1981	Soderberg	.....	D9/529
D269,067 S *	5/1983	Ballereaud	.....	D9/435
D306,933 S *	4/1990	Holewinski	.....	D9/529
D471,324 S *	3/2003	Kalin	.....	D28/77
D511,688 S *	11/2005	Baron	.....	D9/560
D515,193 S *	2/2006	Chen	.....	D23/366
D531,043 S *	10/2006	Houtart	.....	D9/560
D532,937 S *	11/2006	Noh	.....	D28/76
D567,667 S *	4/2008	Kikuchi	.....	D9/687
D571,219 S *	6/2008	McCoy	.....	D9/544

(Continued)

**1 Claim, 7 Drawing Sheets**



(56)

**References Cited**

U.S. PATENT DOCUMENTS

D675,104	S *	1/2013	Chen	.....	D9/687
D694,622	S *	12/2013	Bulens	.....	D9/432
D705,074	S *	5/2014	Della Valle	.....	D9/560
D709,652	S *	7/2014	Teller	.....	D28/85
D715,653	S *	10/2014	Lavigne	.....	D9/529
D717,176	S *	11/2014	Gomez	.....	D9/560
D734,550	S *	7/2015	Schlatter	.....	D28/85
D855,890	S *	8/2019	Lovejoy	.....	D28/85
D873,147	S *	1/2020	Aboabdo	.....	D9/560
D881,707	S *	4/2020	Albertini	.....	D9/559
2008/0041747	A1 *	2/2008	Mihara	.....	A45D 40/06 206/385

OTHER PUBLICATIONS

Bethany Newell Nail Lacquer: Site Visited [Apr. 29, 2021]. Available from Internet URL: <https://bethanynewell.com/products/nail-lacquer>.\*

“Pinks—Nail Enamel—Nail Polish, Nail Colors and Nail Lacquers—Essie”, Available online at: <https://www.essie.com/nail-polish/enamel/pinks?selectedProduct=0>, Accessed from Internet at Dec. 9, 2019, 10 pages.

“Live • Love • Polish”, Available online at: <https://www.livelovepolish.com/collections/all>, Accessed from Internet on Dec. 31, 2019, 26 pages.

“Glitter Nail Polish”, OPI Products, Available online at <https://www.opi.com/nail-colors/glitter-nail-polish>, Accessed from Internet Dec. 31, 2019, 1 page.

HJ17004919, “Wedgwood”, Wedgwood Limited, Available Online at: <http://www.wedgwood.com/portfolio/pattern.asp?uid=8FB12BC7-2772-4D17BD8D33E93D8C304E&rtn=N&Location=U&pattern=Vera+Wang+Crysta&posn=2&section=tableware&subsection=>, Jul. 29, 2005, 1 page.

Design of Packaging Bottle, HA16019075, Receipt at Industrial Property Information Center, Oct. 1, 2004, 1 page.

Esprique, HJ17013871, KOSE Corporation, Available Online at: <http://www.kose.co.jp/kose/esprique/products/item/vul.html>, Feb. 21, 2006, 1 page.

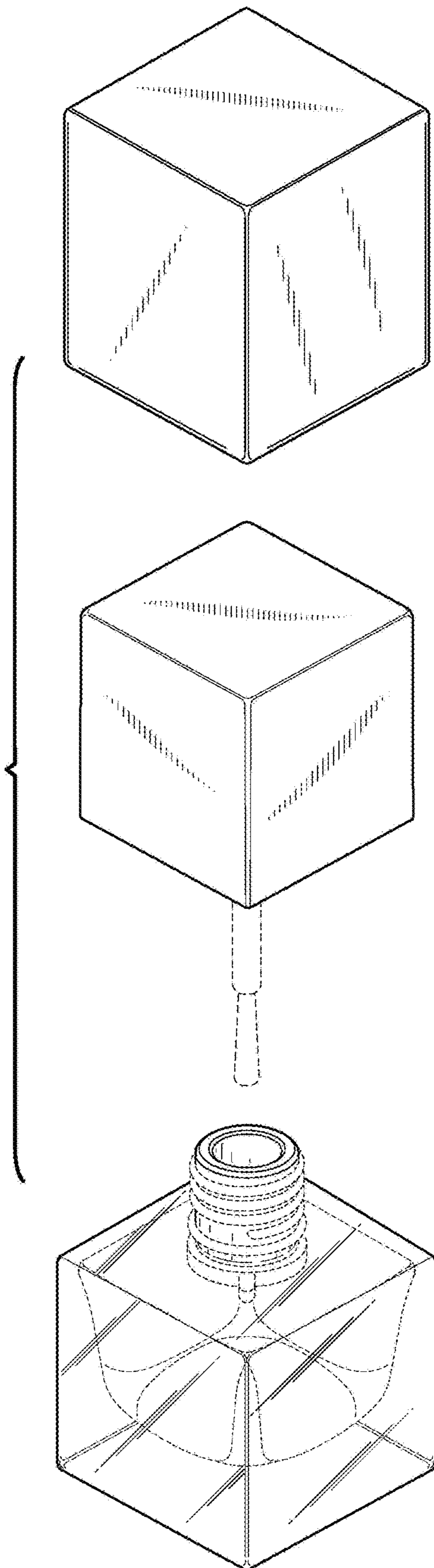
Limited Edition of Holographic Shimmering Lip and New Fragrance Launched by Yves Saint Laurent, HJ30016663, Fashion Headline Ltd., Available Online at: <https://www.fashionheadline.com/artide/19773>, Jul. 2, 2018, 1 page.

“Baralan New Package Line”, Available Online At: [https://www.cosmeticsbusiness.com/news/article\\_page/baralan\\_new\\_packaging\\_line/10516](https://www.cosmeticsbusiness.com/news/article_page/baralan_new_packaging_line/10516), Jan. 27, 2015, 8 pages.

“Manicure Monday: Butter London Kerfluffle”, Available Online At: [www.firmheadtoe.com/2014/05/manicure-monday-butter-london-kerfluffle.html](http://www.firmheadtoe.com/2014/05/manicure-monday-butter-london-kerfluffle.html), May 27, 2014, 8 pages.

“Rectangular Nail Polish Bottle”, 360 Bottles, Available Online At: <https://www.brambleberry.com/shop-by-product/packaging/bottles/rectangular-nail-polish-bottle---360-bottles/IB003722.html?gclid=EAlaIqobChMI74rT%E2%80%A6>, Feb. 18, 2017, 2 pages.

\* cited by examiner



**FIG. 1**

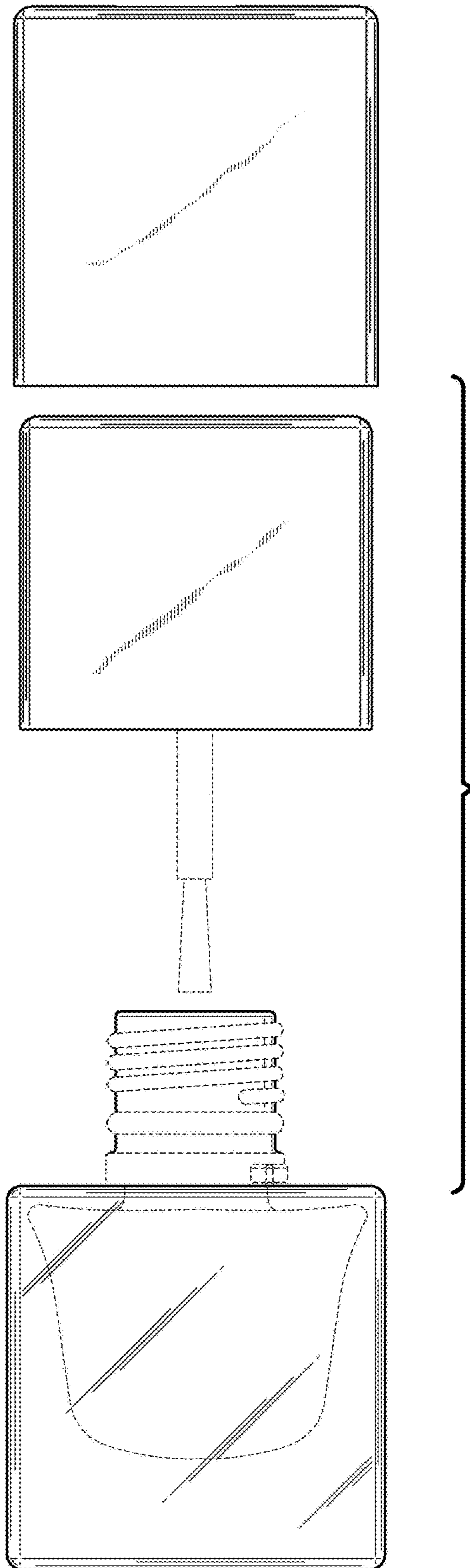


FIG. 2

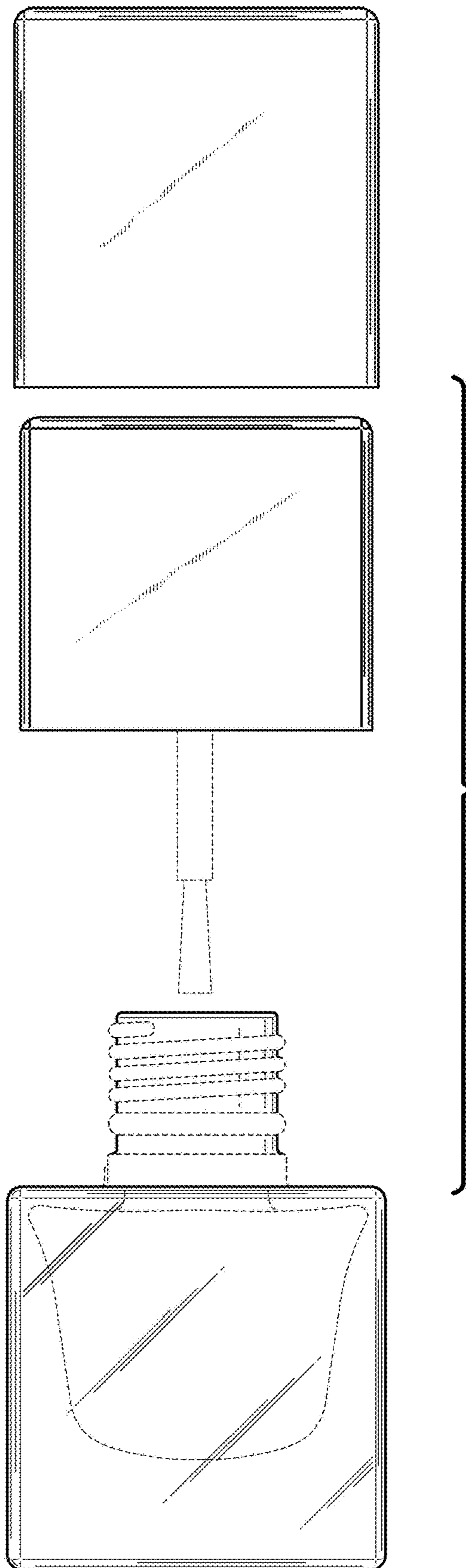


FIG. 3

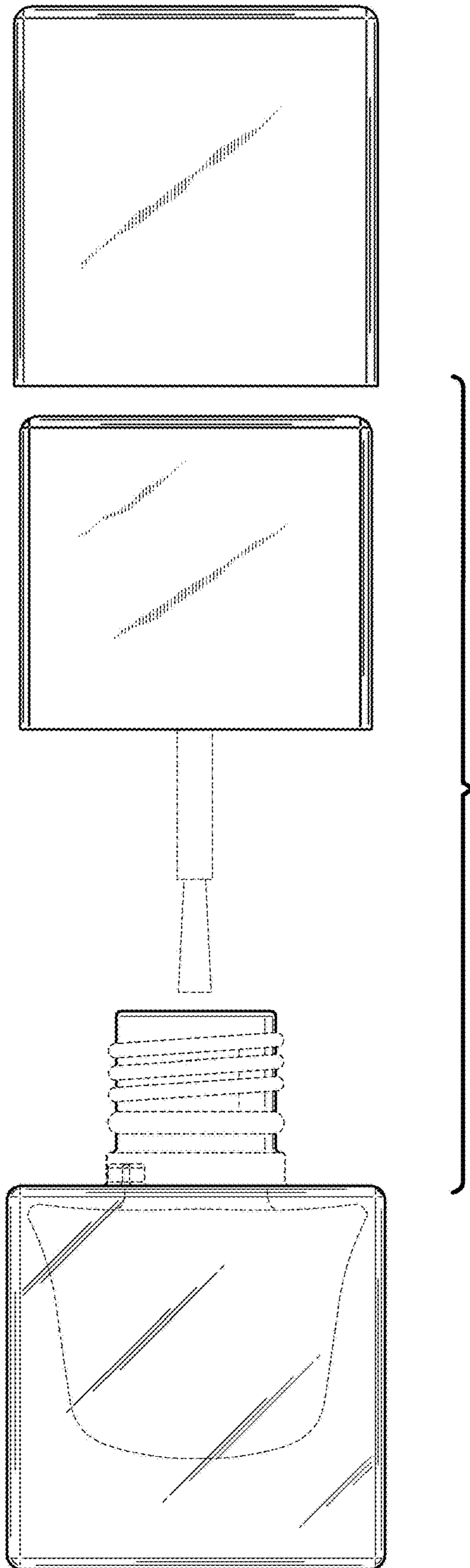


FIG. 4

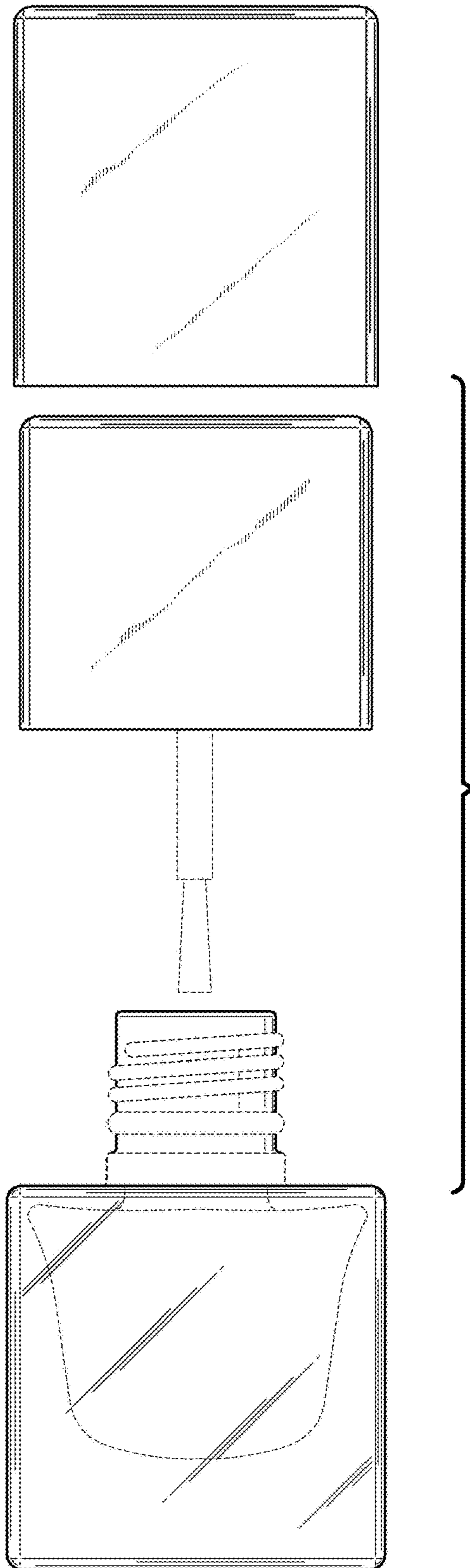
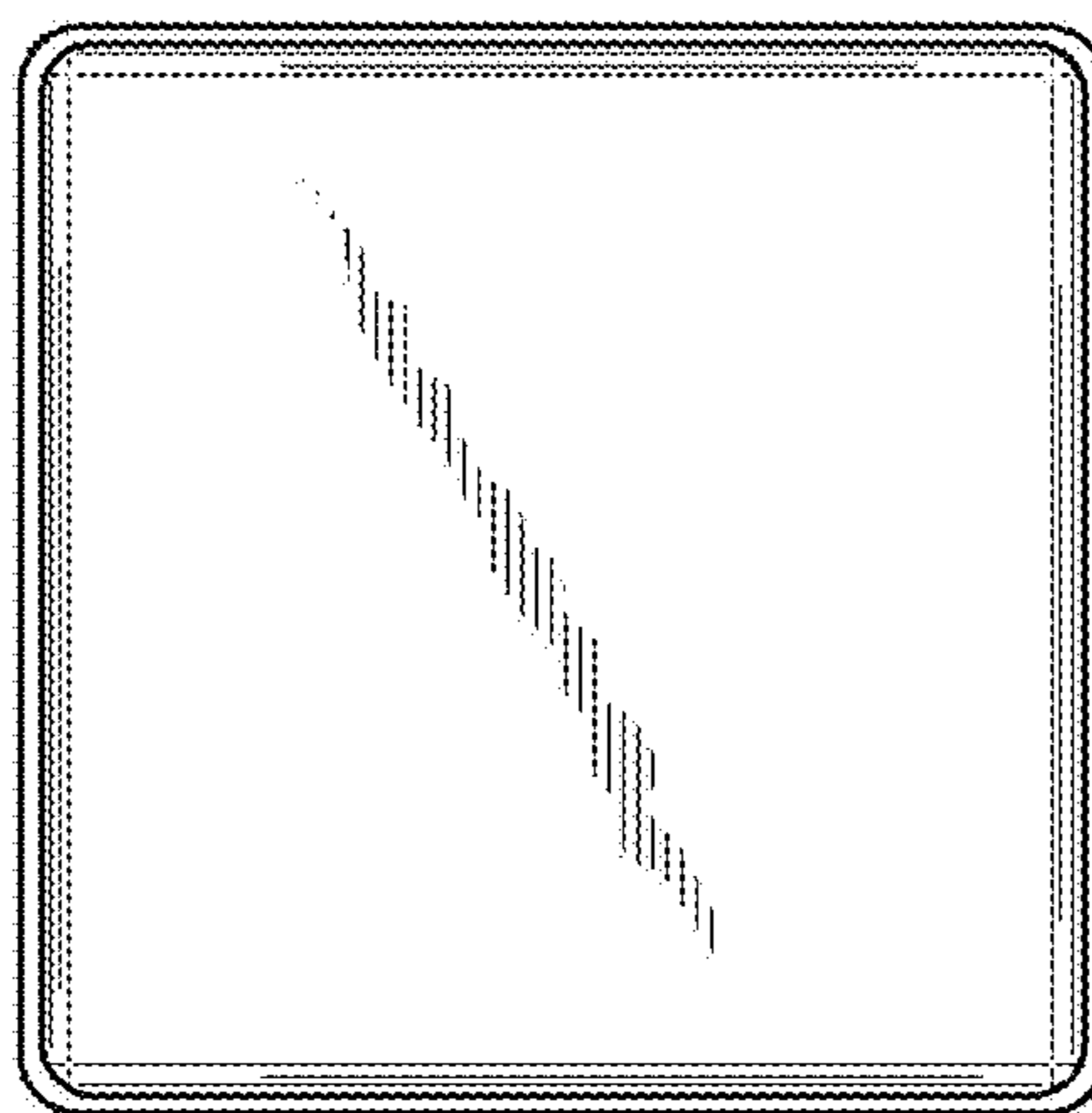
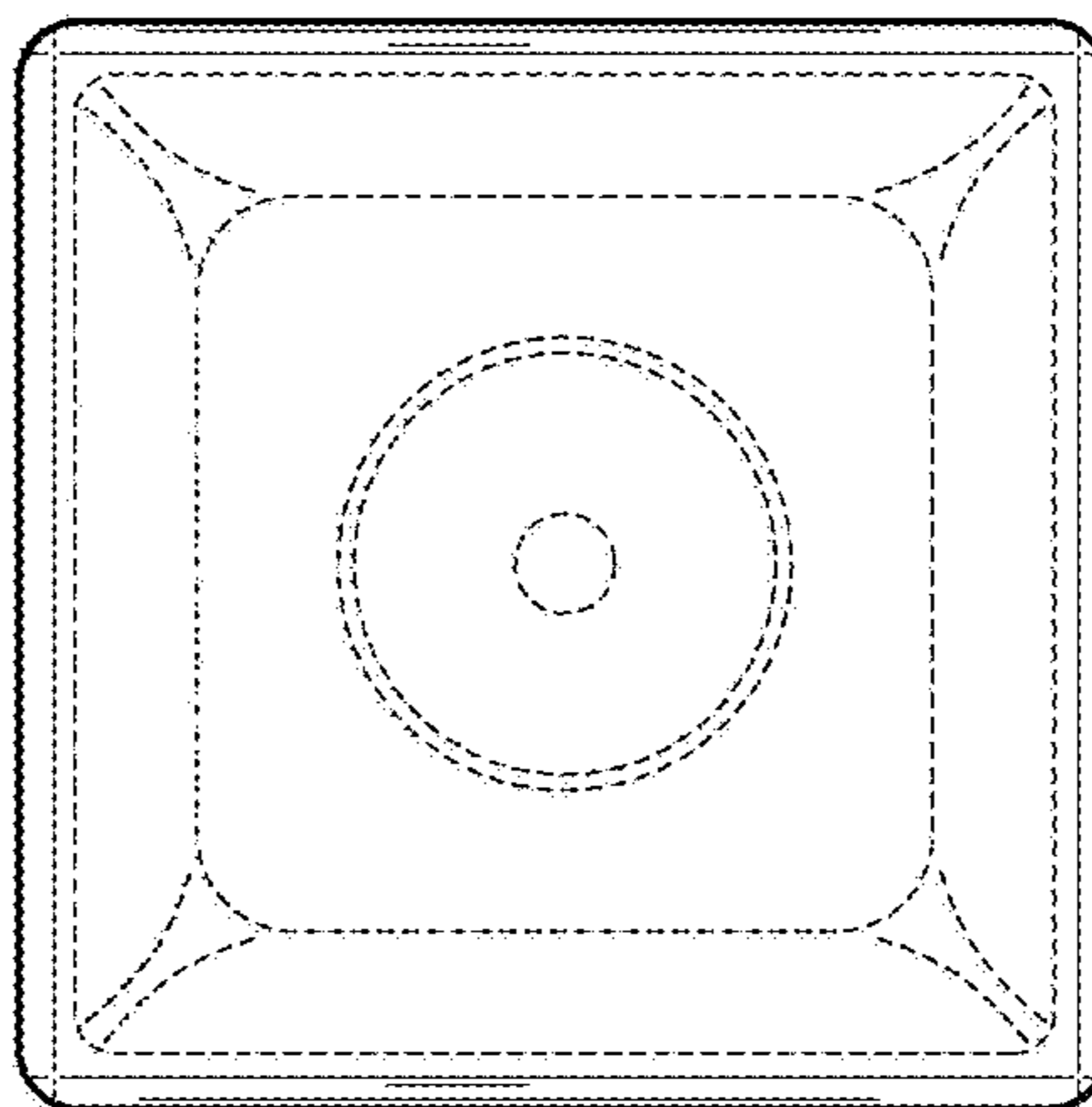


FIG. 5

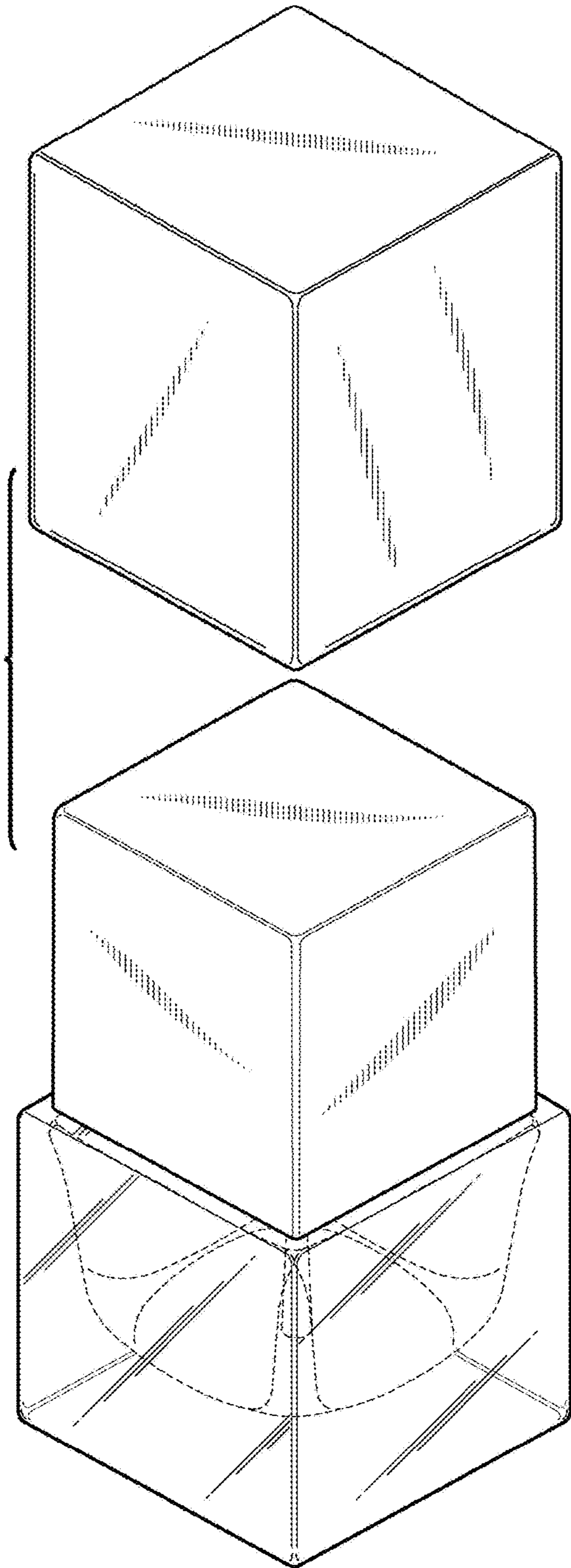


**FIG. 6**

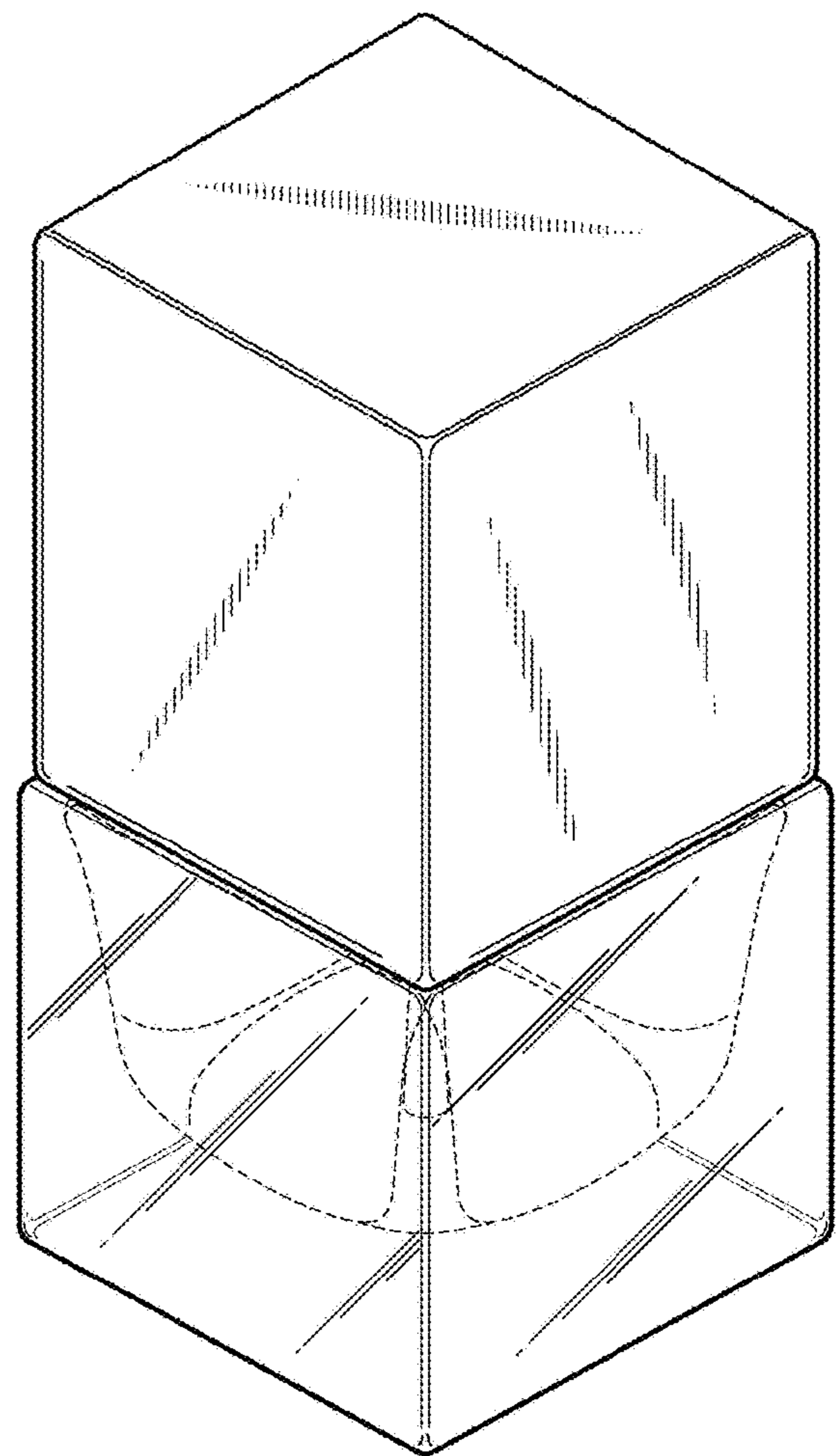


**FIG. 7**





**FIG. 8**



**FIG. 9**