

US00D936480S

(12) **United States Design Patent**
Giuli

(10) **Patent No.:** **US D936,480 S**

(45) **Date of Patent:** **** Nov. 23, 2021**

- (54) **BOTTLE**
- (71) Applicant: **CapStash, LLC**, Walnut Creek, CA
(US)
- (72) Inventor: **Alexander Giuli**, Walnut Creek, CA
(US)
- (**) Term: **15 Years**
- (21) Appl. No.: **29/663,620**
- (22) Filed: **Sep. 17, 2018**
- (51) **LOC (13) Cl.** **09-01**
- (52) **U.S. Cl.**
USPC **D9/524**
- (58) **Field of Classification Search**
USPC D9/522, 523, 524, 526, 537, 542, 549,
D9/690
CPC B65D 1/02; B65D 1/0223; B65D 1/023;
B65D 1/0261; B65D 2501/0009; B65D
2501/0081; B65D 2501/009
See application file for complete search history.

- D396,641 S * 8/1998 Klima, Jr. D9/523
- D399,751 S * 10/1998 Klima, Jr. D9/524
- 5,897,010 A 4/1999 Soyka, Jr. B65D 21/0237
215/390
- D411,748 S * 6/1999 Klima, Jr. D9/524
- 6,131,755 A 10/2000 Soyka, Jr. B65D 21/0237
215/382
- D456,075 S * 4/2002 Clements D24/121
- D542,139 S * 5/2007 Welter D9/520
- D584,958 S 1/2009 Schiesser D9/503
- D597,408 S * 8/2009 Chang D9/524
- 7,870,968 B2 * 1/2011 Hanson B65D 23/12
215/306
- D643,292 S * 8/2011 Cordero D9/516
(Continued)

FOREIGN PATENT DOCUMENTS

CN 201240577 Y 5/2009

Primary Examiner — Janice Patyk
(74) *Attorney, Agent, or Firm* — Adibi IP Group, PC;
Amir V. Adibi; Andrew C. Palmer

(57) **CLAIM**

The ornamental design for a bottle, as shown and described.

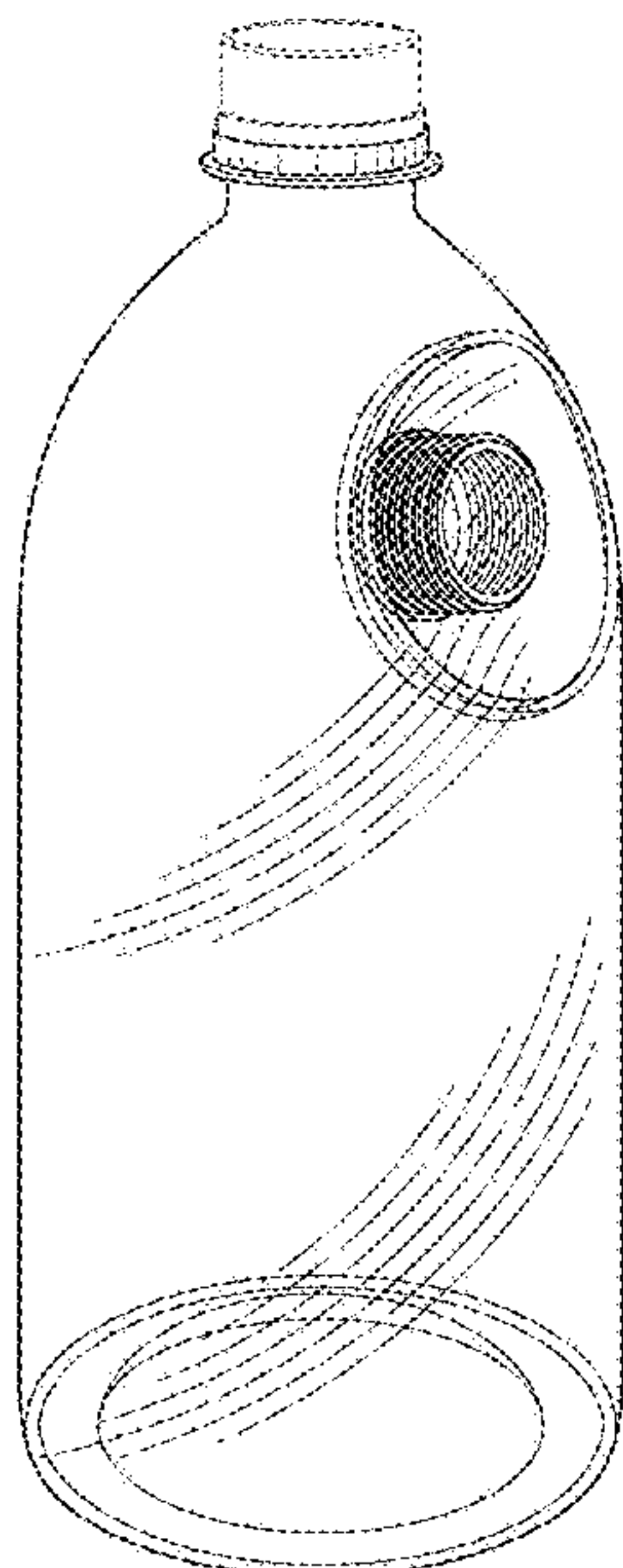
DESCRIPTION

FIG. 1 is a perspective view of a bottle, showing my new design.
FIG. 2 is another perspective view thereof, shown with the environmental cap in stowed condition.
FIG. 3 is a left side elevation view thereof.
FIG. 4 is a right side elevation view thereof.
FIG. 5 is a front view thereof.
FIG. 6 is a rear view thereof.
FIG. 7 is a top view thereof; and,
FIG. 8 is a bottom view thereof.
The broken lines cap in the figures illustrate environmental subject matter that form no part of the claimed design.

1 Claim, 8 Drawing Sheets

(56) **References Cited**
U.S. PATENT DOCUMENTS

- 1,451,822 A 4/1923 Hagerty A61J 9/00
215/11.1
- 1,759,866 A 5/1930 Rabb
- 2,738,091 A 3/1956 Mattox
- 3,537,606 A 11/1970 Soloway
- D263,930 S * 4/1982 Pardo D9/524
- D306,639 S 3/1990 Wills D23/205
- 5,211,299 A 5/1993 Manfredonia A61J 9/00
206/515
- 5,244,106 A 9/1993 Takacs B65D 23/12
215/12.1
- D348,315 S * 6/1994 Hanifl D24/117
- 5,467,877 A 11/1995 Smith
- D367,815 S * 3/1996 Mason, Jr. D9/524
- D389,412 S * 1/1998 Klima, Jr. D9/523



(56)

References Cited

U.S. PATENT DOCUMENTS

8,544,664	B2	10/2013	DeJonge	
D746,942	S	1/2016	Koppert	D23/202
10,688,513	B2	6/2020	Biyani	B05B 11/0037
D908,008	S	1/2021	Reisig	D9/500
2006/0010903	A1	1/2006	Porter	
2019/0092527	A1	3/2019	Giuli	B65D 55/16

* cited by examiner

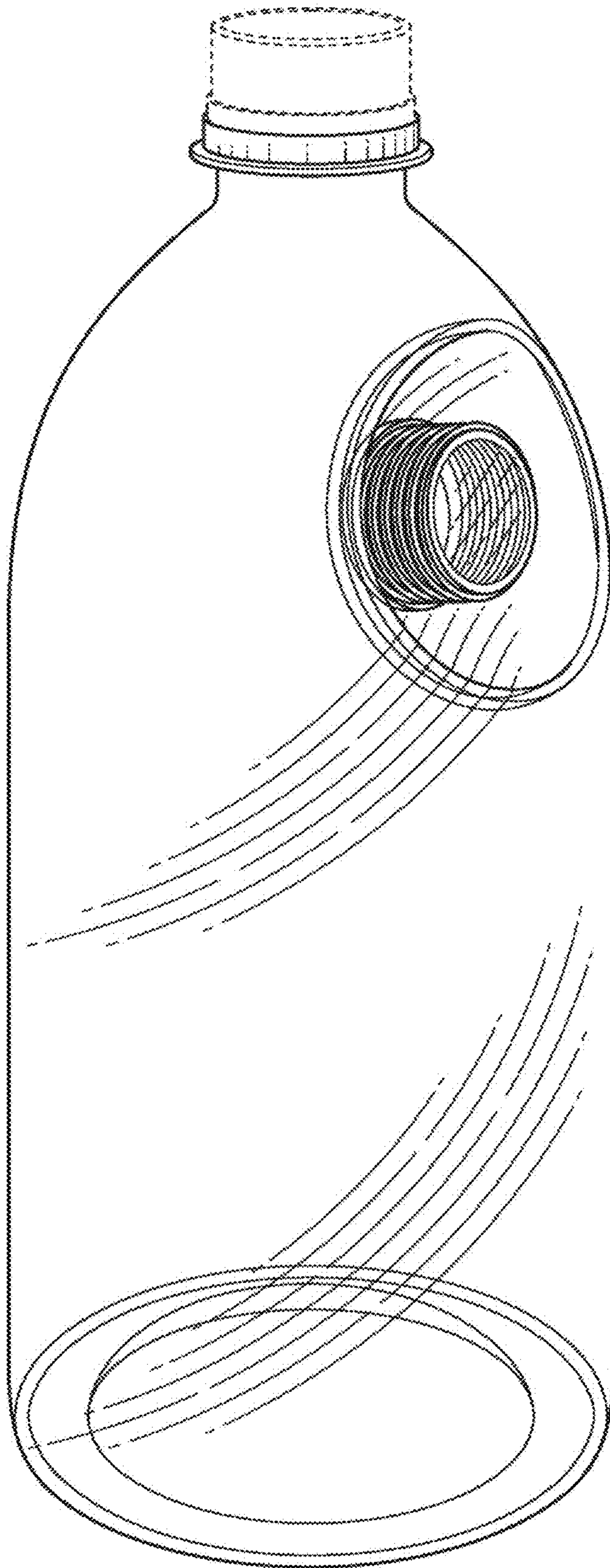


FIG. 1

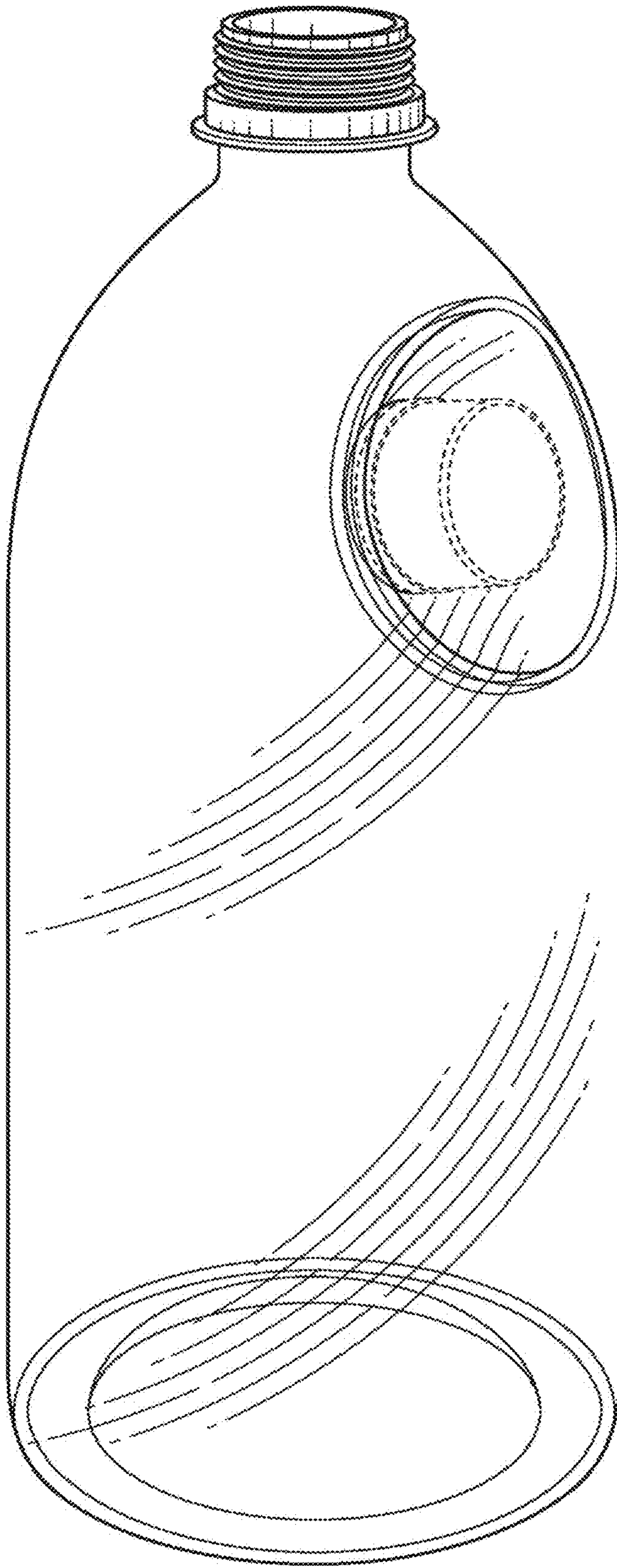


FIG. 2

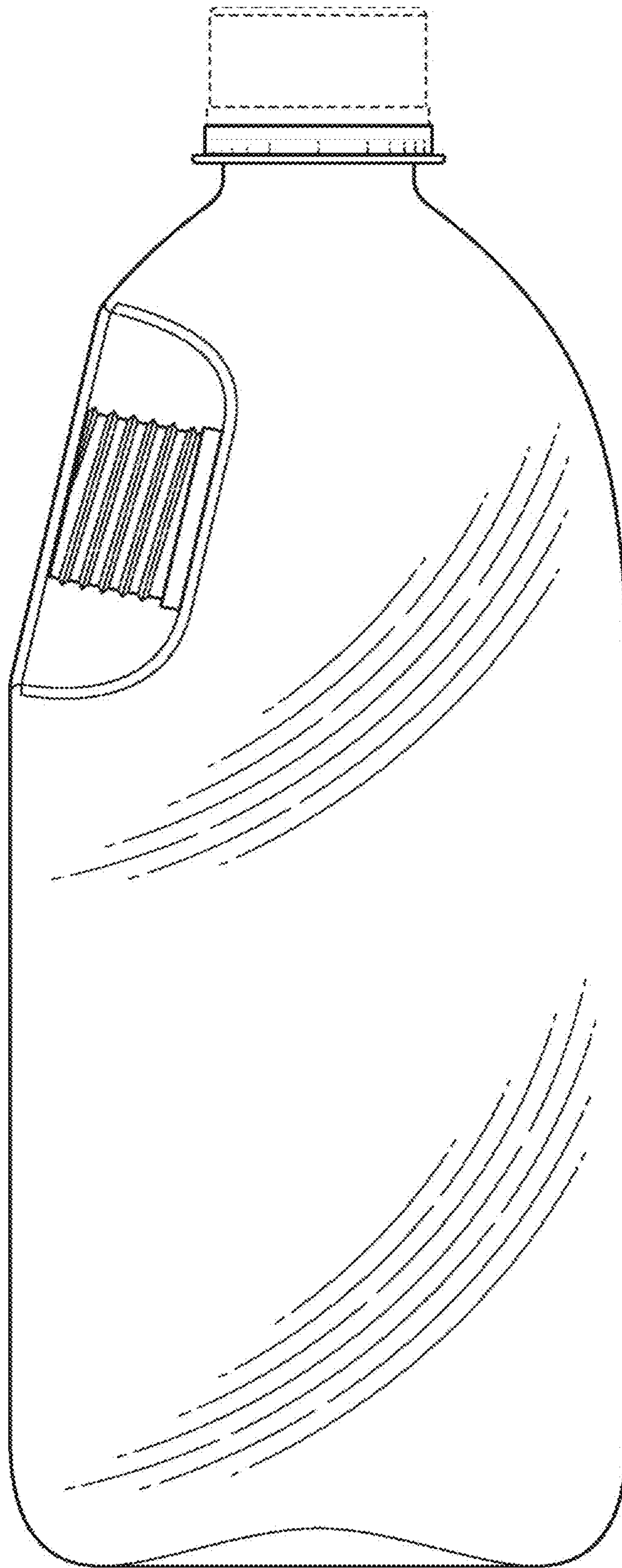


FIG. 3

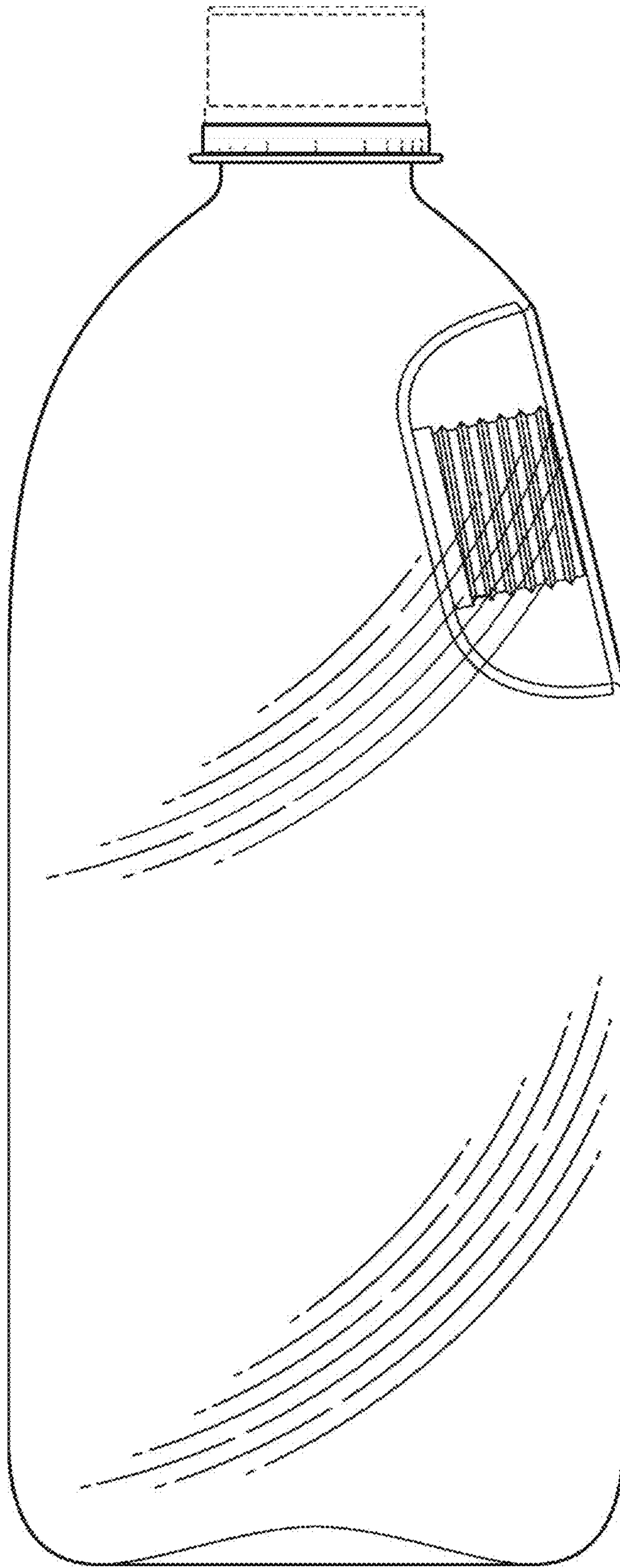


FIG. 4

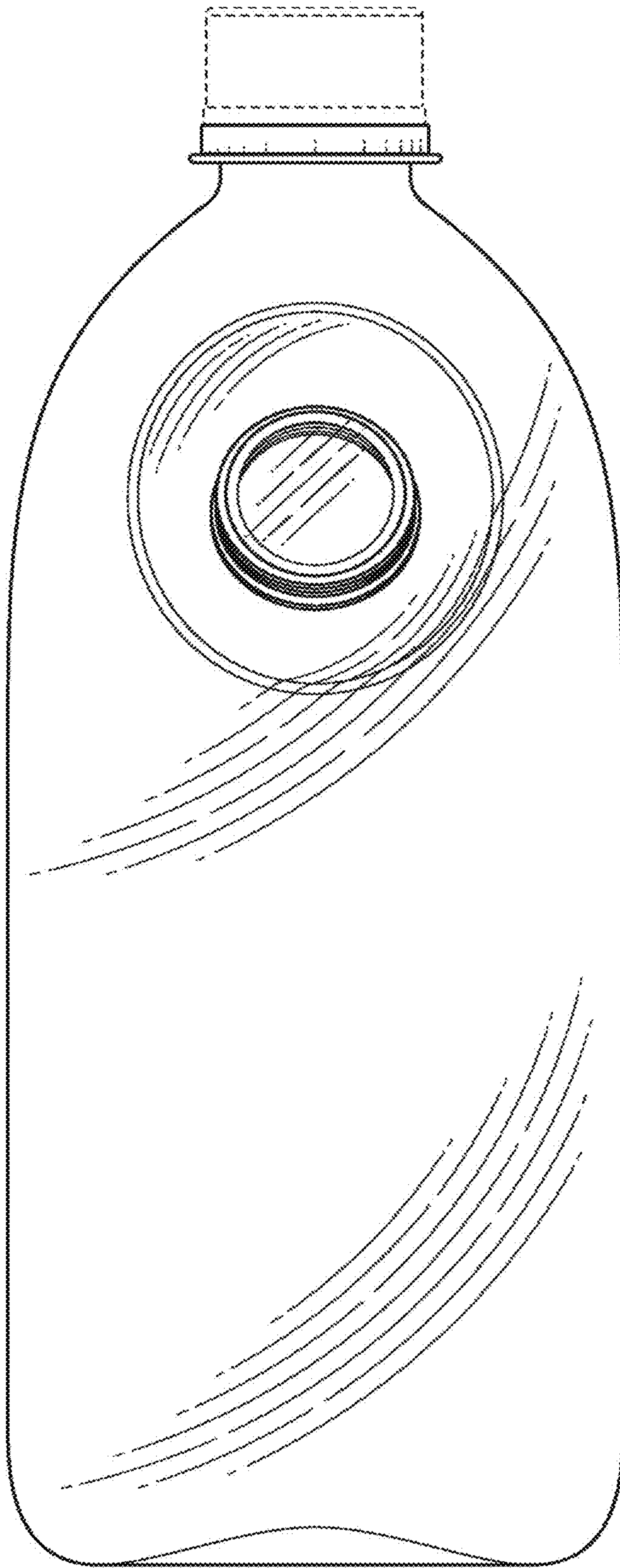


FIG. 5

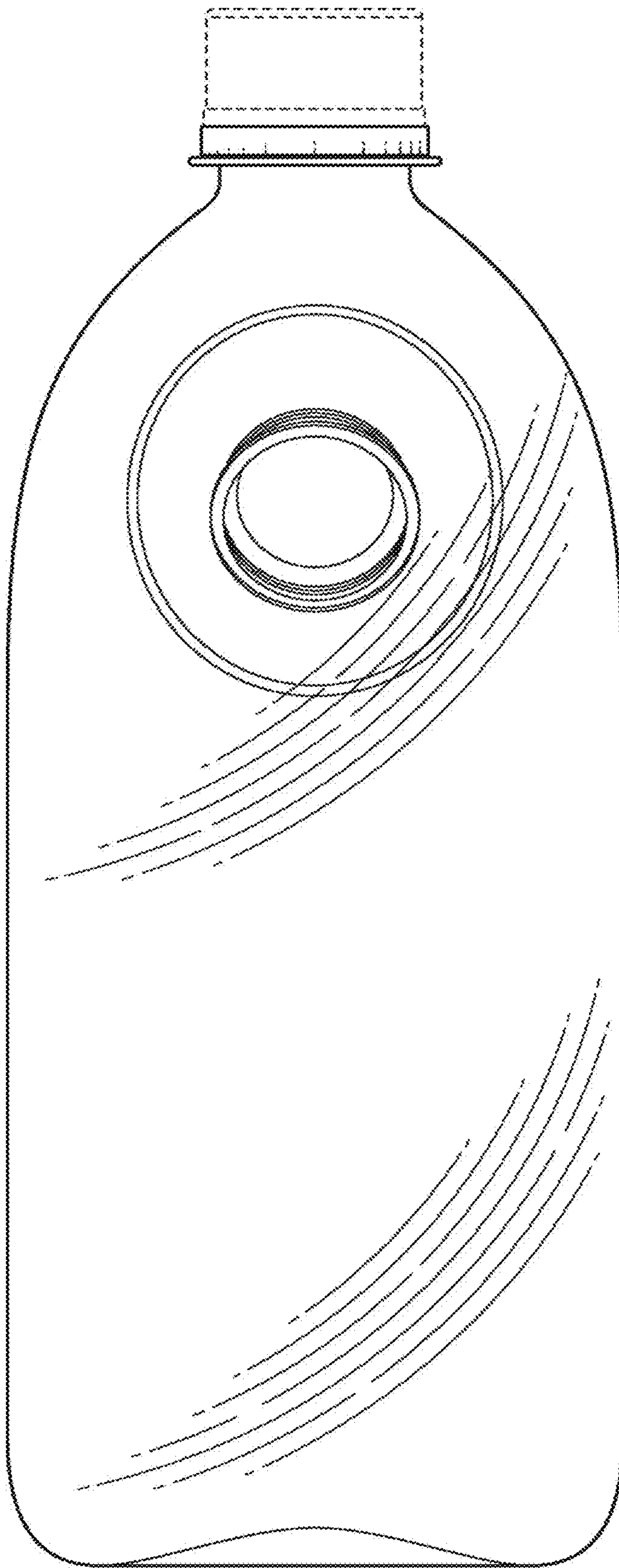


FIG. 6

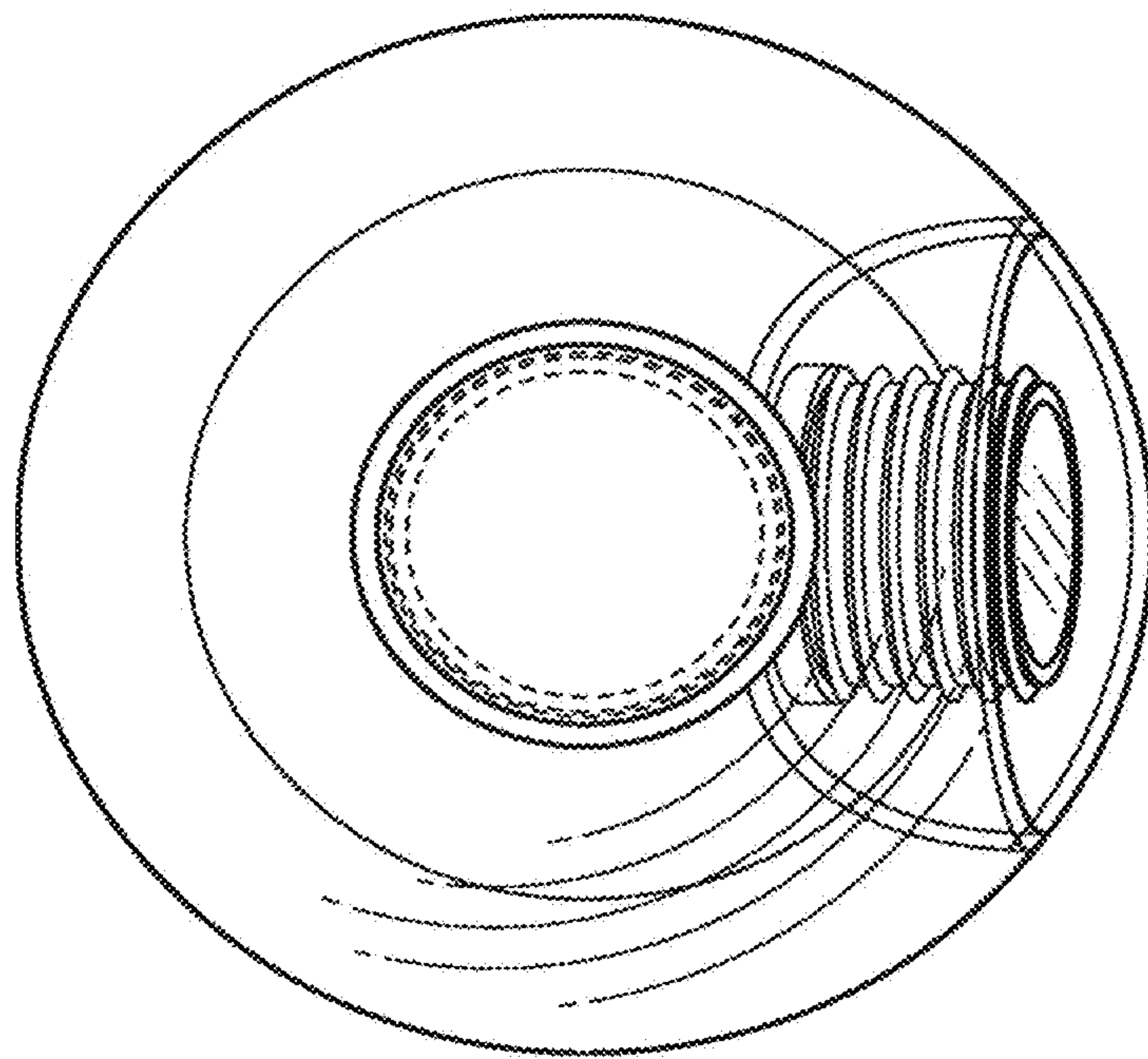


FIG. 7

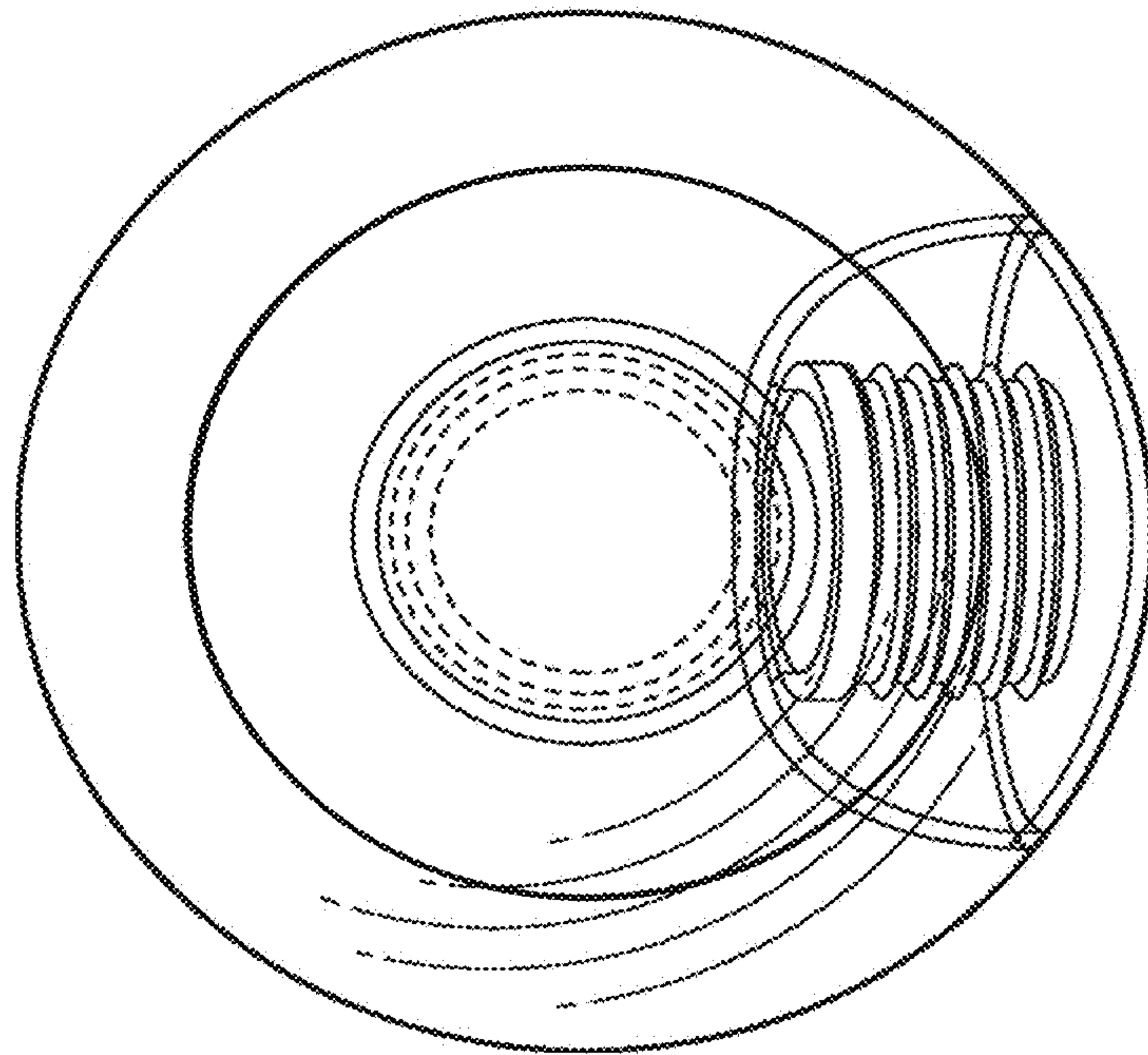


FIG. 8