



US00D936479S

(12) **United States Design Patent**
Fujita et al.

(10) **Patent No.:** **US D936,479 S**
(45) **Date of Patent:** **** Nov. 23, 2021**

(54) **PACKAGING CONTAINER**

(71) Applicant: **AMATERA, INC.**, Aichi (JP)

(72) Inventors: **Hiromasa Fujita**, Aichi (JP); **Hiroshi Takatomi**, Aichi (JP)

(73) Assignee: **AMATERA, INC.**, Aichi (JP)

(**) Term: **15 Years**

(21) Appl. No.: **29/746,374**

(22) Filed: **Aug. 13, 2020**

(51) **LOC (13) Cl.** **09-01**

(52) **U.S. Cl.**

USPC **D9/500; D9/520**

(58) **Field of Classification Search**

USPC D9/434, 500-501, 503-504, 516, 520,
D9/530, 537, 540, 549, 558, 715, 719

(Continued)

(56) **References Cited**

U.S. PATENT DOCUMENTS

D294,224 S * 2/1988 Rogler D9/500
D295,376 S * 4/1988 Rogler D9/434

(Continued)

FOREIGN PATENT DOCUMENTS

JP 6656649 B1 3/2020

Primary Examiner — Dana Meyrow

(74) *Attorney, Agent, or Firm* — Studebaker & Brackett
PC

(57) **CLAIM**

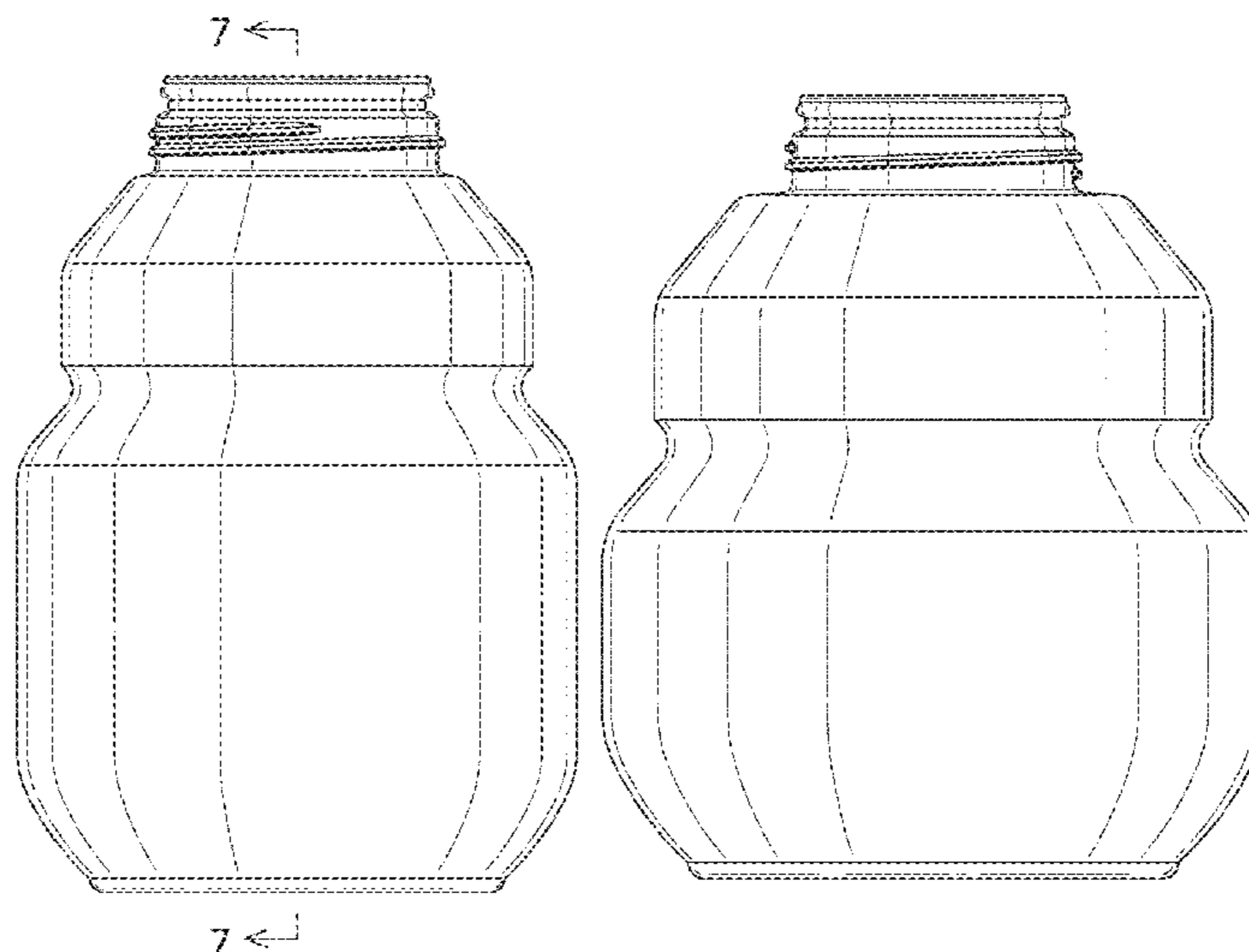
The ornamental design for a packaging container, as shown and described.

DESCRIPTION

FIG. 1 is a front view of the first embodiment of the packaging container;

FIG. 2 is a rear view thereof;
FIG. 3 is a right side view thereof;
FIG. 4 is a left side view thereof;
FIG. 5 is a top view thereof;
FIG. 6 is a perspective view thereof;
FIG. 7 is a cross-section view thereof, taken along line 7-7 in FIG. 1;
FIG. 8 is an environmental front view thereof, showing the packaging container in use;
FIG. 9 is a front view of the second embodiment of the packaging container;
FIG. 10 is a rear view thereof;
FIG. 11 is a right side view thereof;
FIG. 12 is a left side view thereof;
FIG. 13 is a top view thereof;
FIG. 14 is a perspective view thereof;
FIG. 15 is a cross-section view thereof, taken along line 15-15 in FIG. 9;
FIG. 16 is an environmental front view thereof, showing the packaging container in use;
FIG. 17 is a front view of the third embodiment of the packaging container;
FIG. 18 is a rear view thereof;
FIG. 19 is a right side view thereof;
FIG. 20 is a left side view thereof;
FIG. 21 is a top view thereof;
FIG. 22 is a perspective view thereof;
FIG. 23 is a cross-section view thereof, taken along line 23-23 in FIG. 17; and,
FIG. 24 is an environmental front view thereof, showing the packaging container in use.
The article of the present application relates to a packaging container. Chemicals substance is placed in the packaging container. As shown in a reference front view showing a usage state, the packaging container is placed in a main body portion of a vase, and the chemical substance evaporates from the packaging container and diffuse to the outside through a hole of a lid portion of the vase.
The broken lines illustrate environmental structure that form no part of the claimed design.

1 Claim, 14 Drawing Sheets



(58) **Field of Classification Search**

CPC B65D 1/00; B65D 1/02; B65D 1/0215;
B65D 1/0223; B65D 2501/00; B65D
2501/0009

See application file for complete search history.

(56) **References Cited**

U.S. PATENT DOCUMENTS

D295,377	S	*	4/1988	Rogler	D9/500
D316,966	S	*	5/1991	York	D9/434
D316,967	S	*	5/1991	York	D9/434
D318,799	S	*	8/1991	York	D9/500
D379,151	S	*	5/1997	Stevens	D9/503
D381,271	S	*	7/1997	Paoloski	D9/500
D417,844	S	*	12/1999	Lane	D9/434
D421,720	S	*	3/2000	Eberle	D9/434
D450,588	S	*	11/2001	Lane	D9/500
D545,198	S	*	6/2007	Hatcher	D9/516

* cited by examiner

FIG. 1

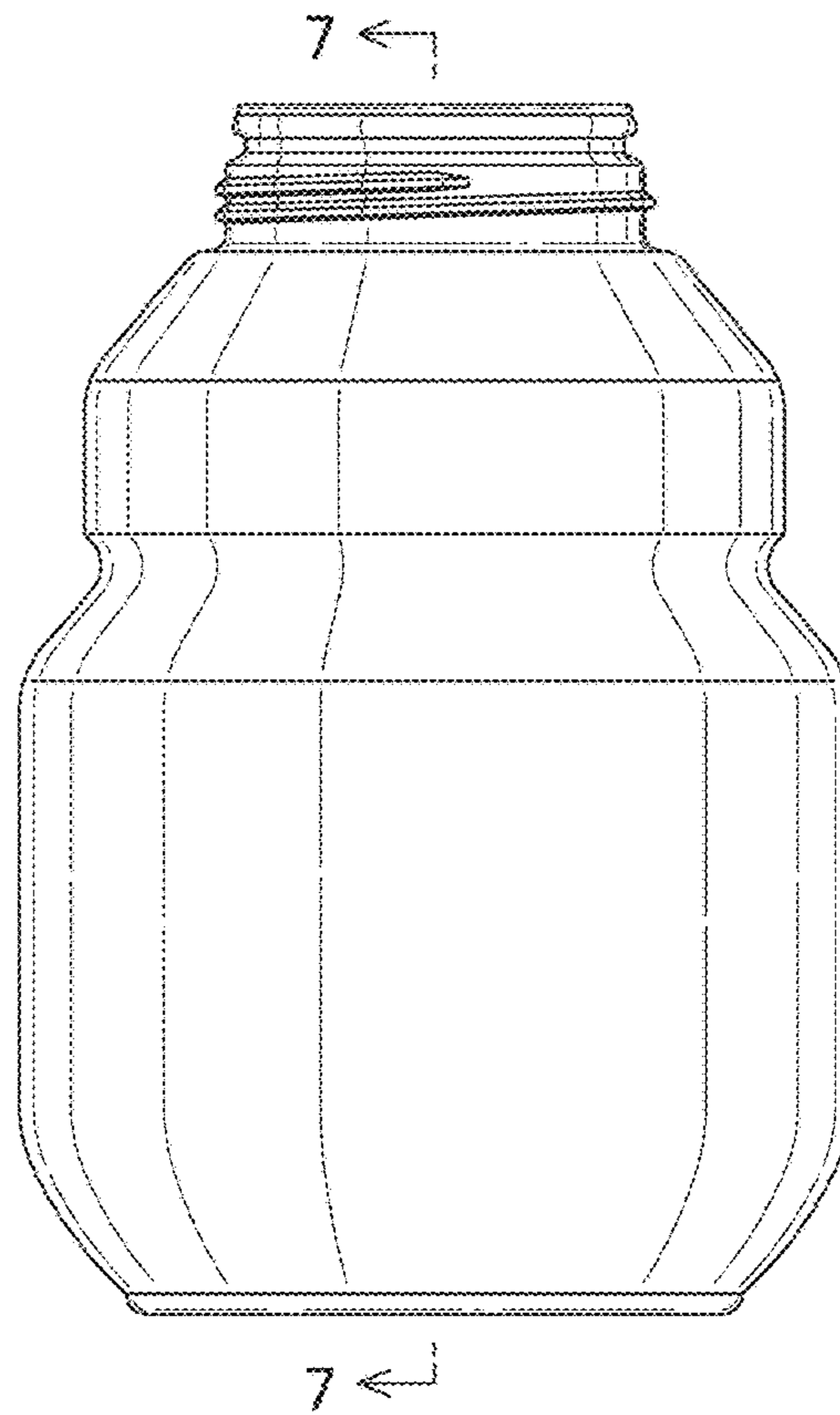


FIG. 2

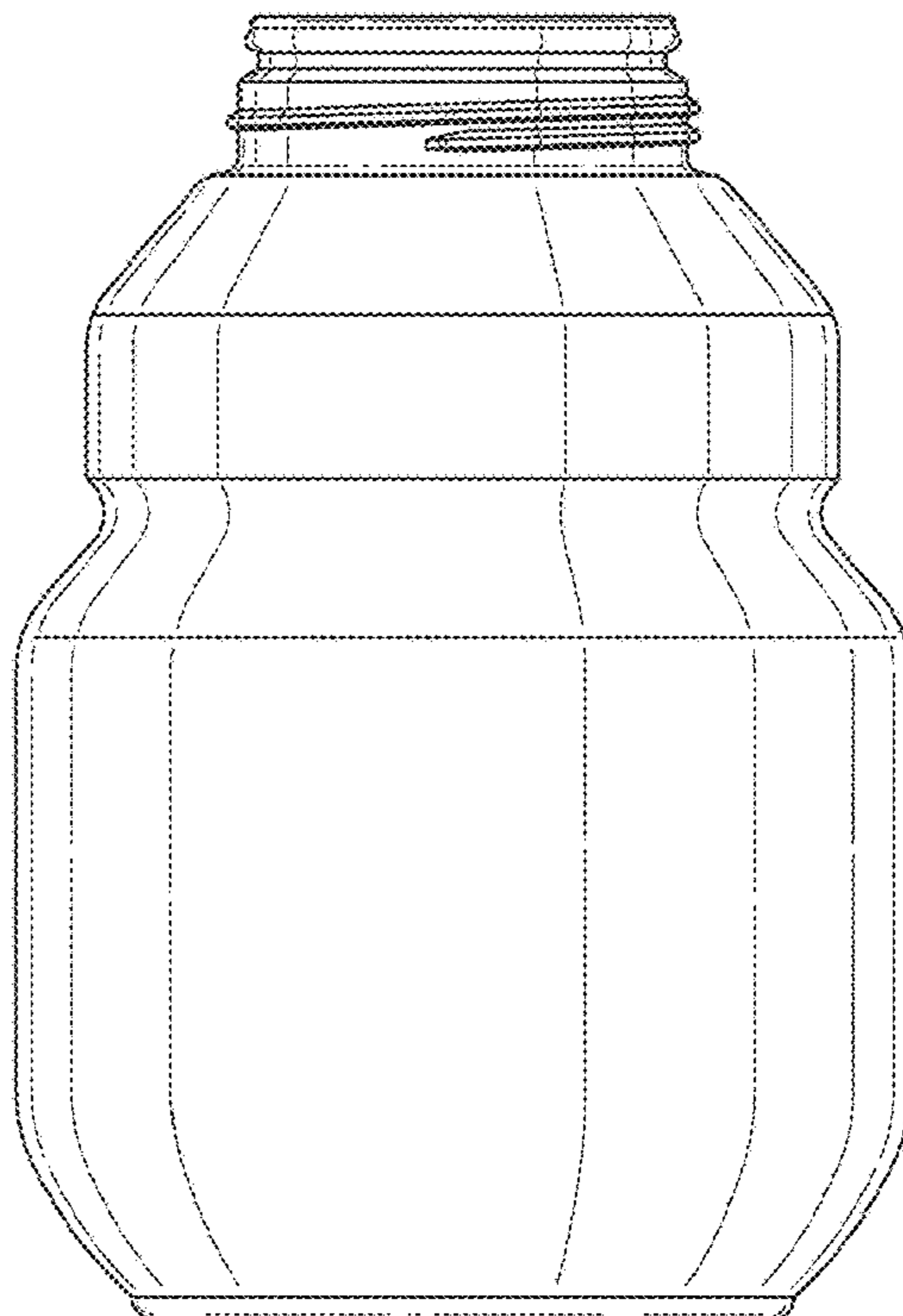


FIG. 3

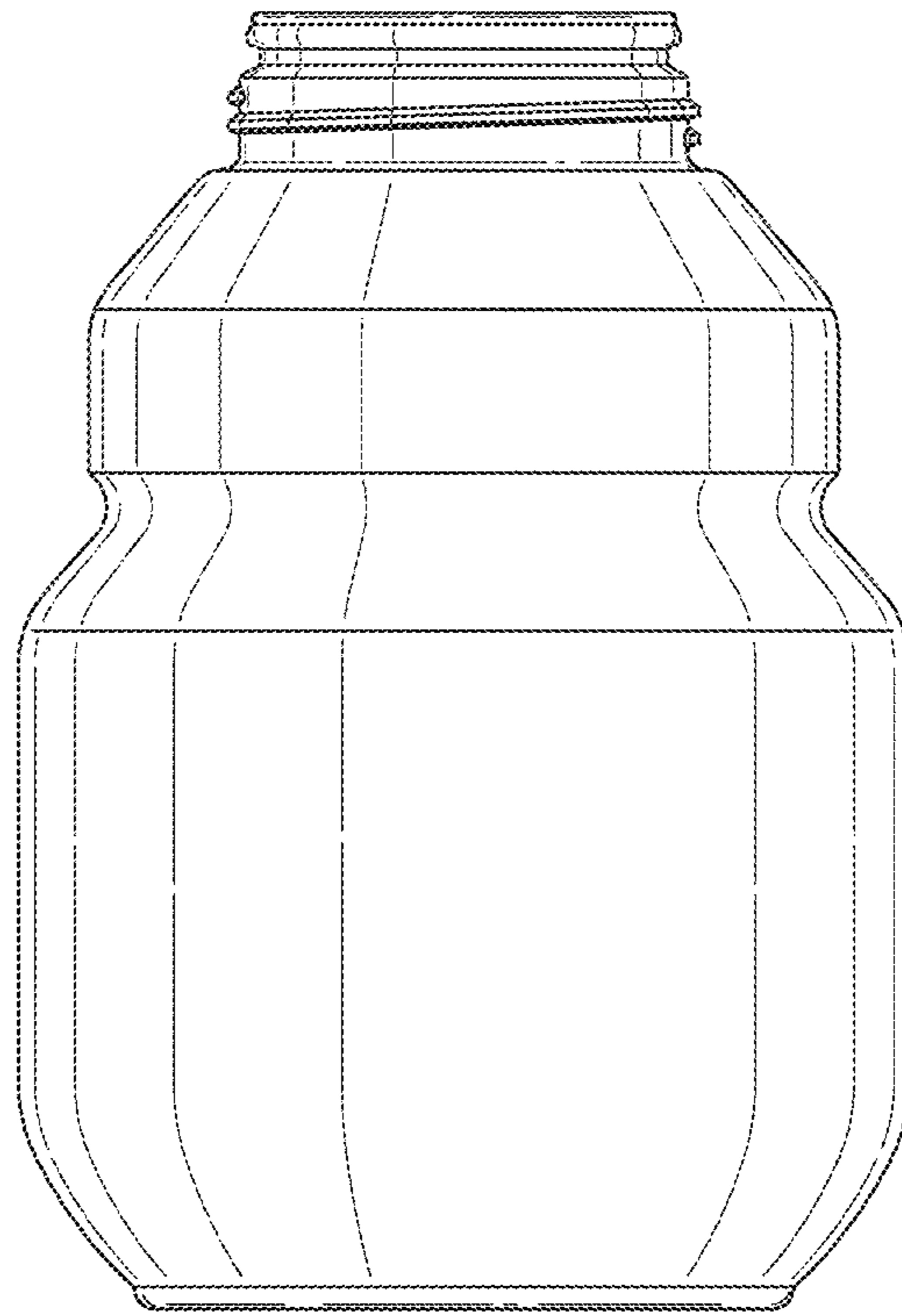
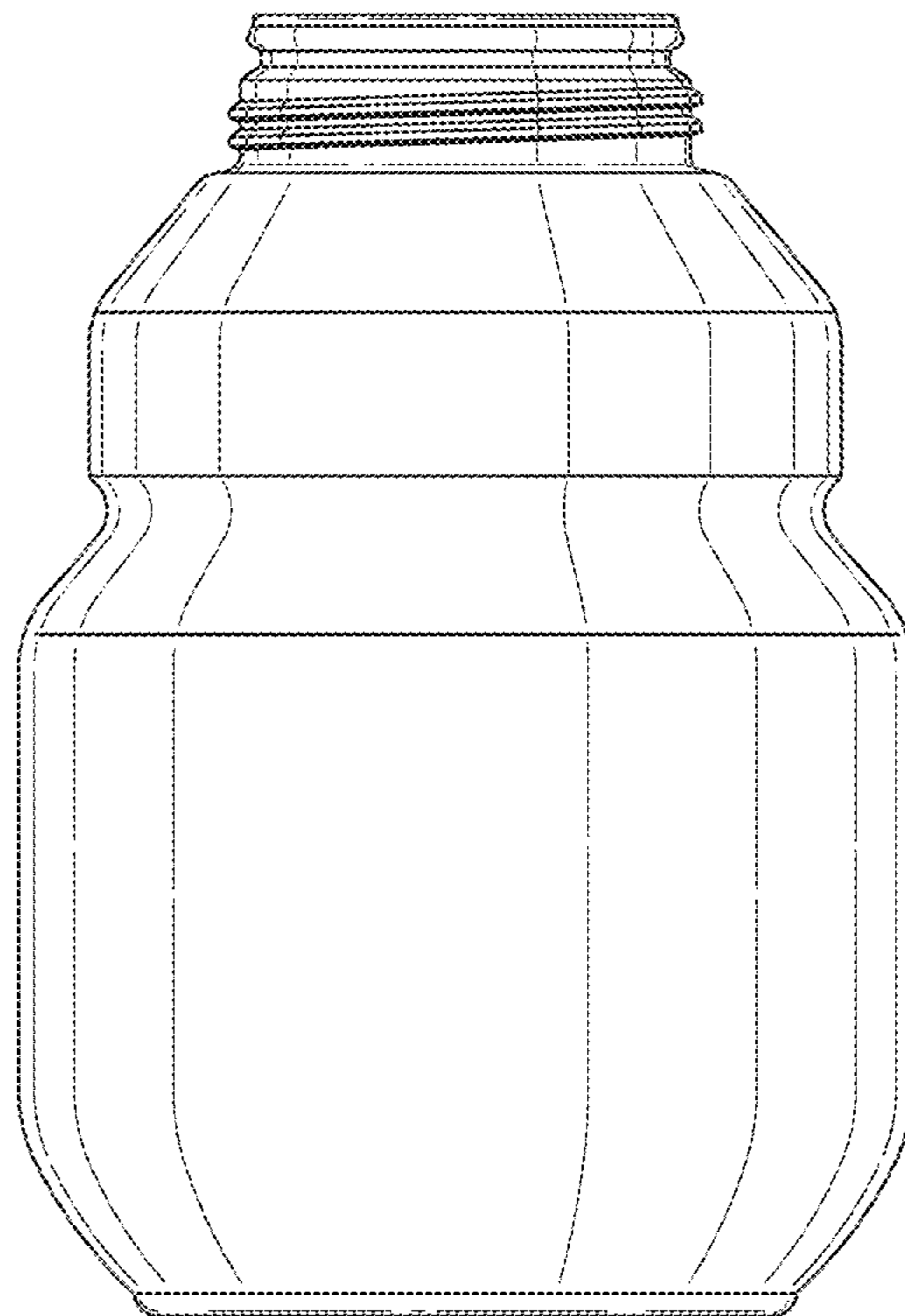


FIG. 4



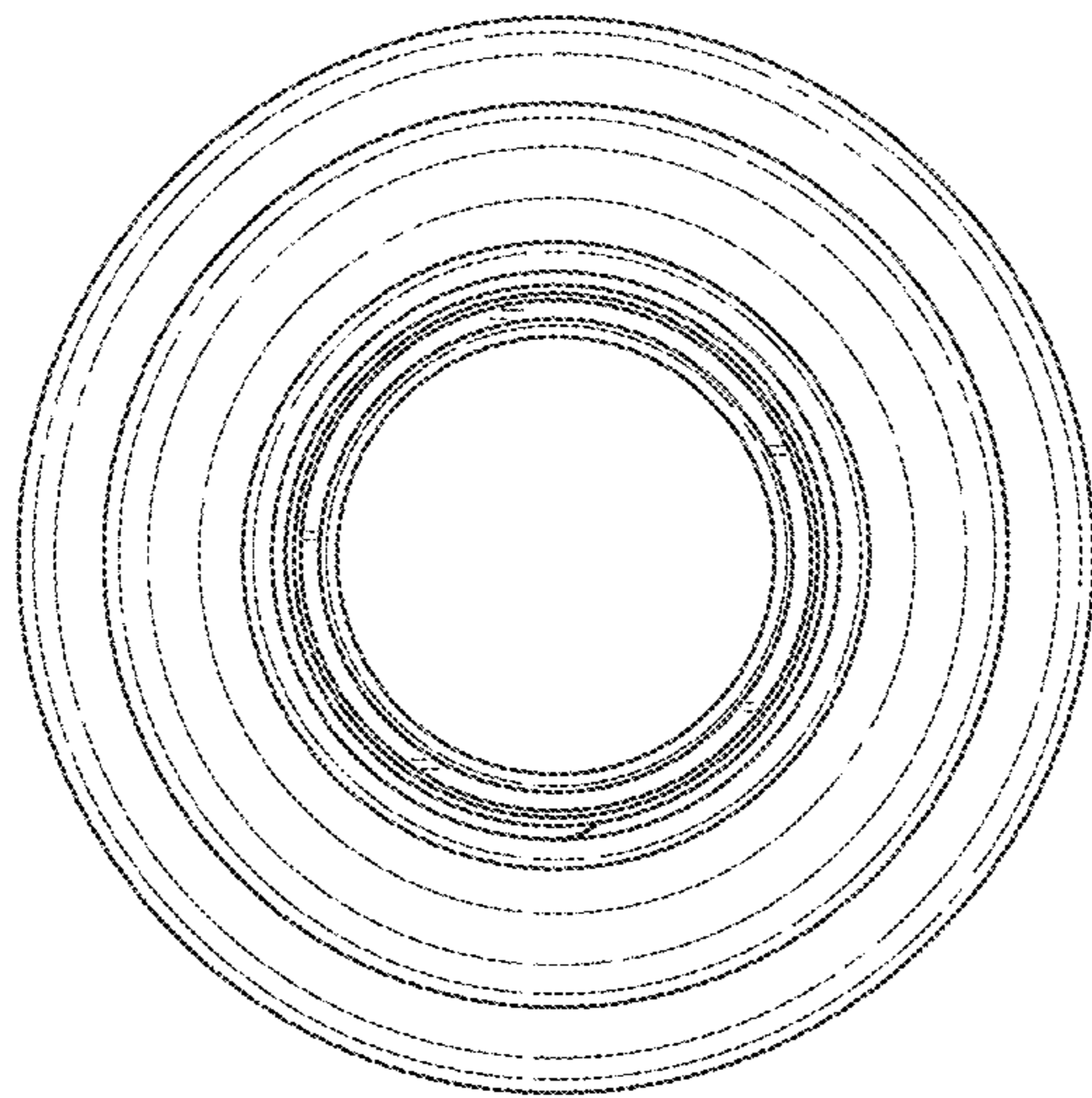


FIG. 5

FIG. 6

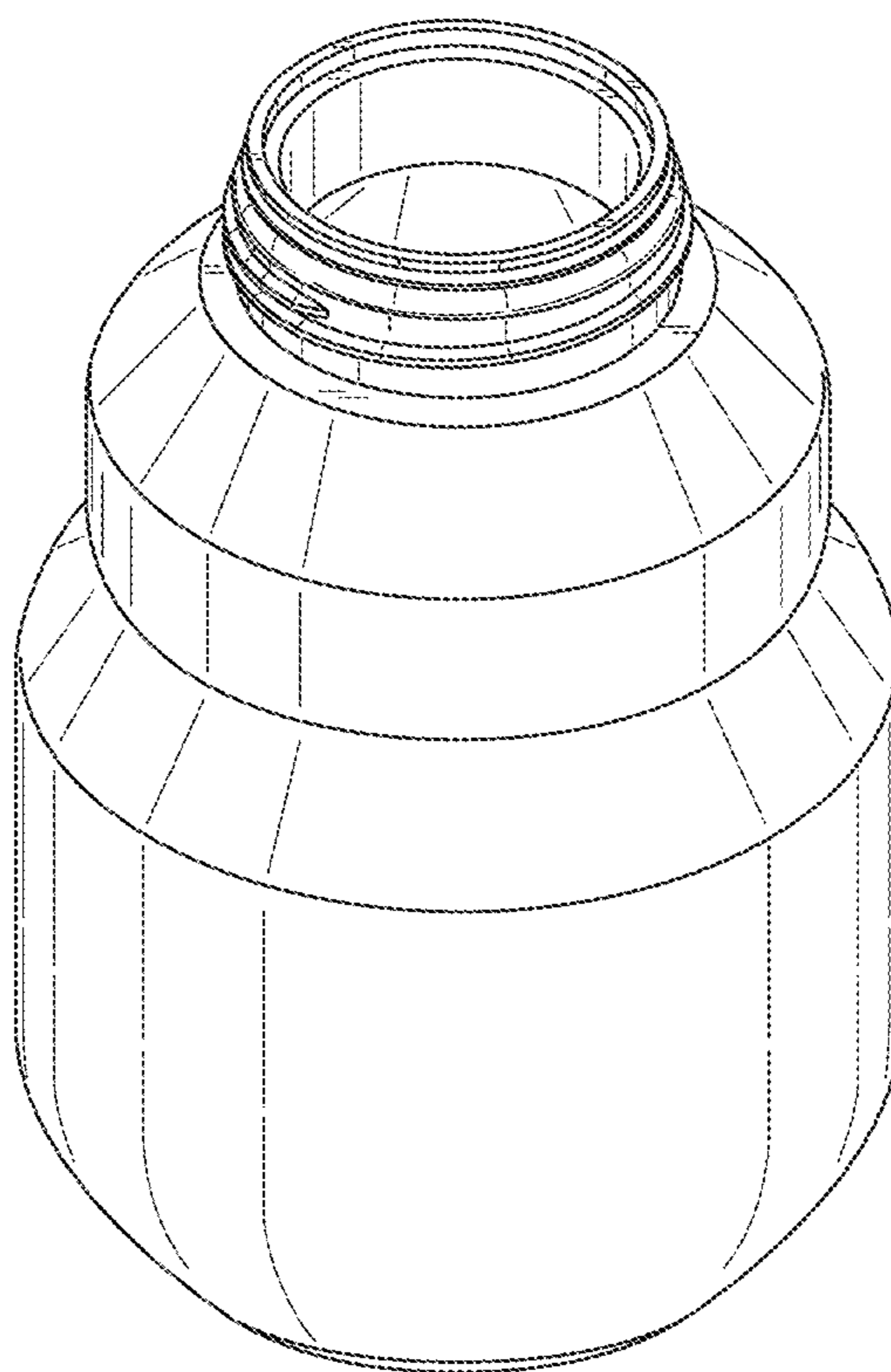


FIG. 7

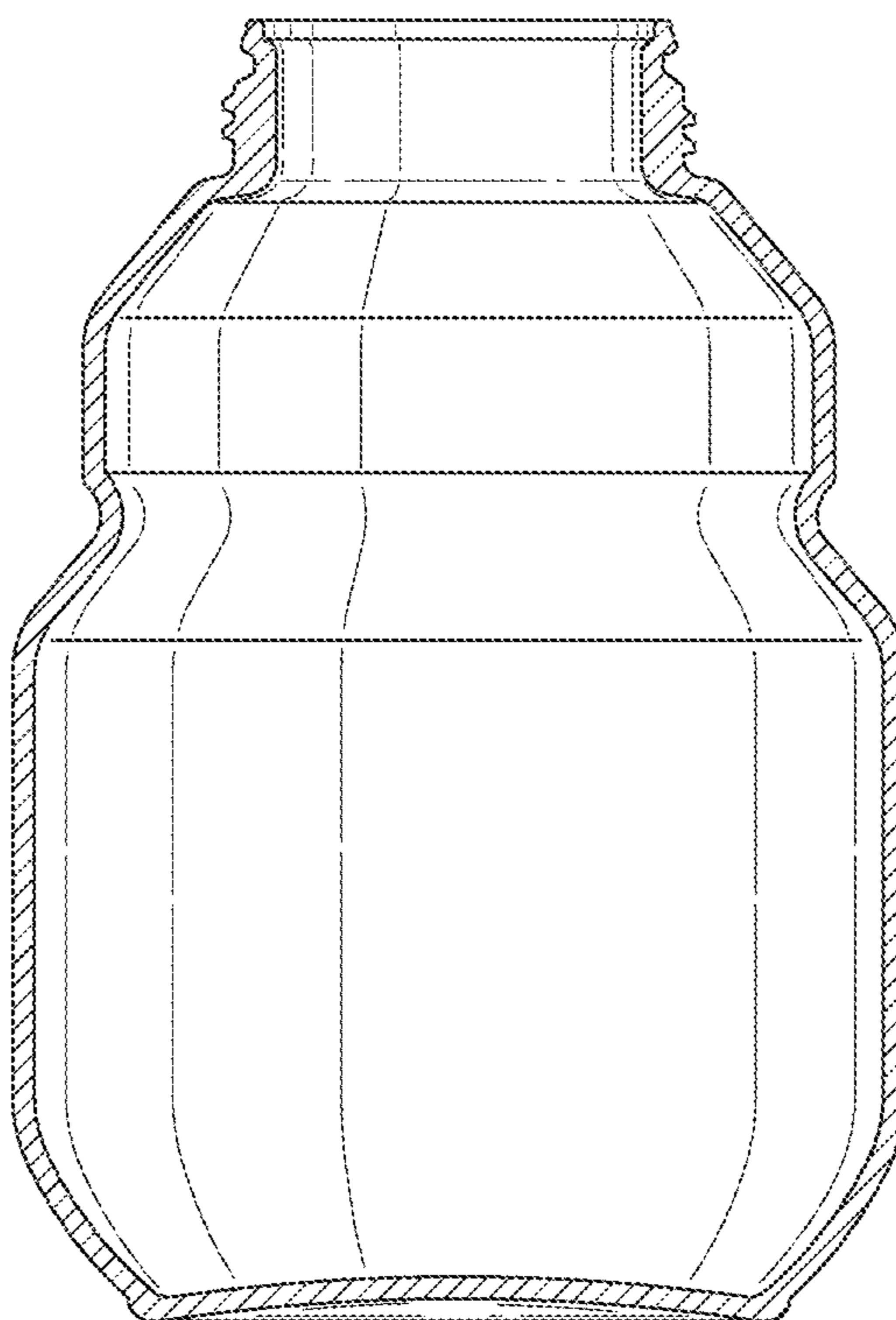


FIG. 8

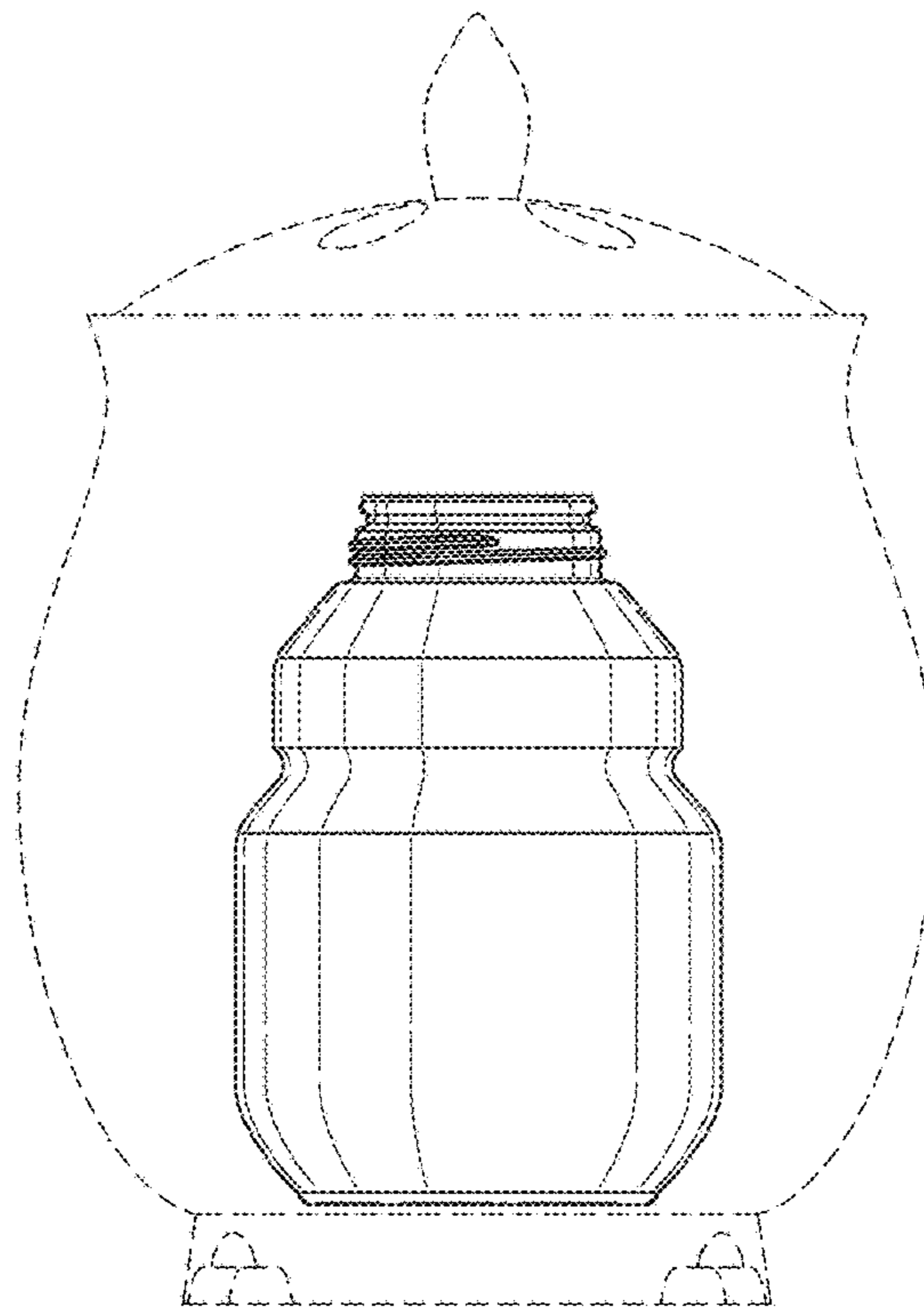


FIG. 9

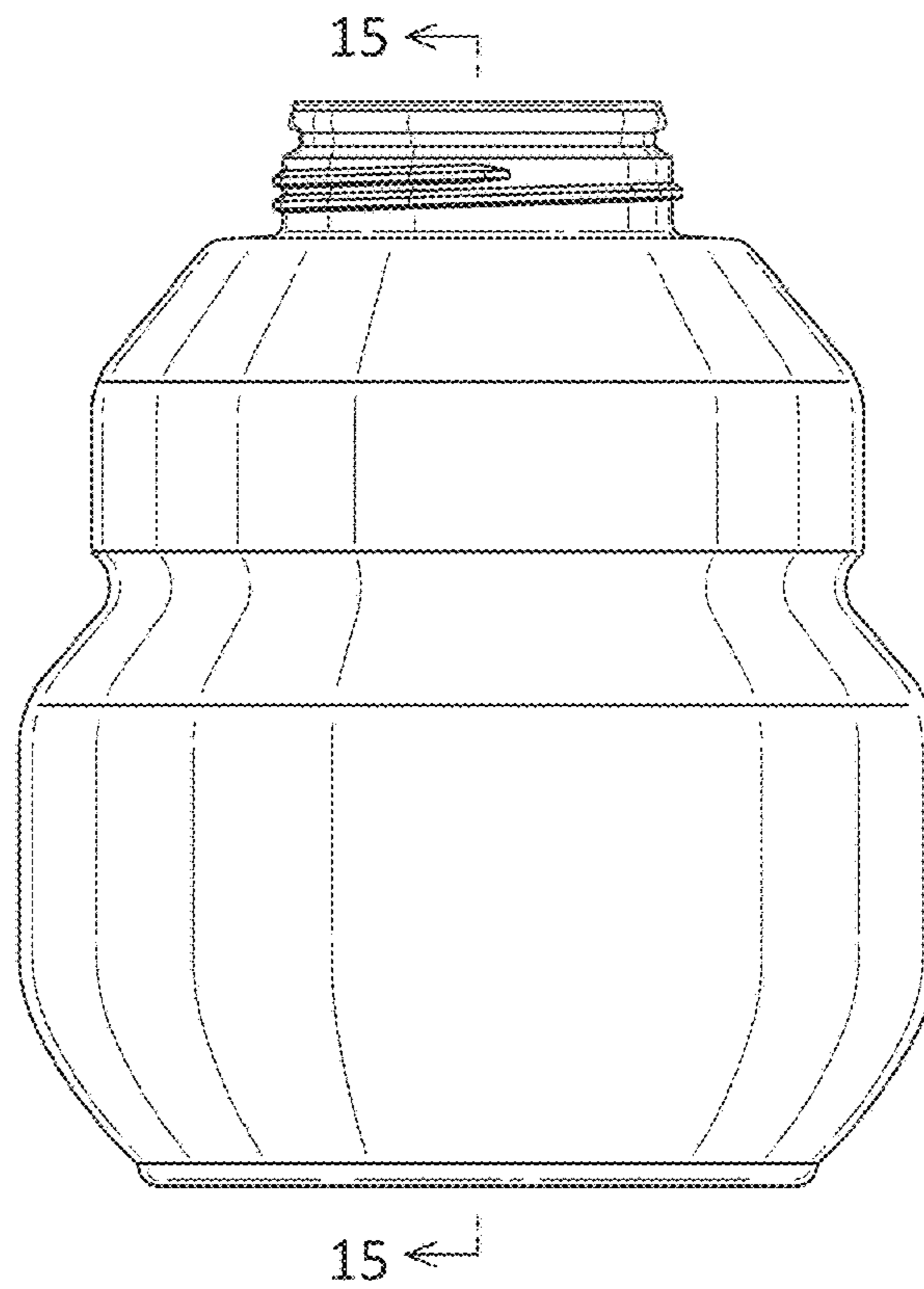


FIG. 10

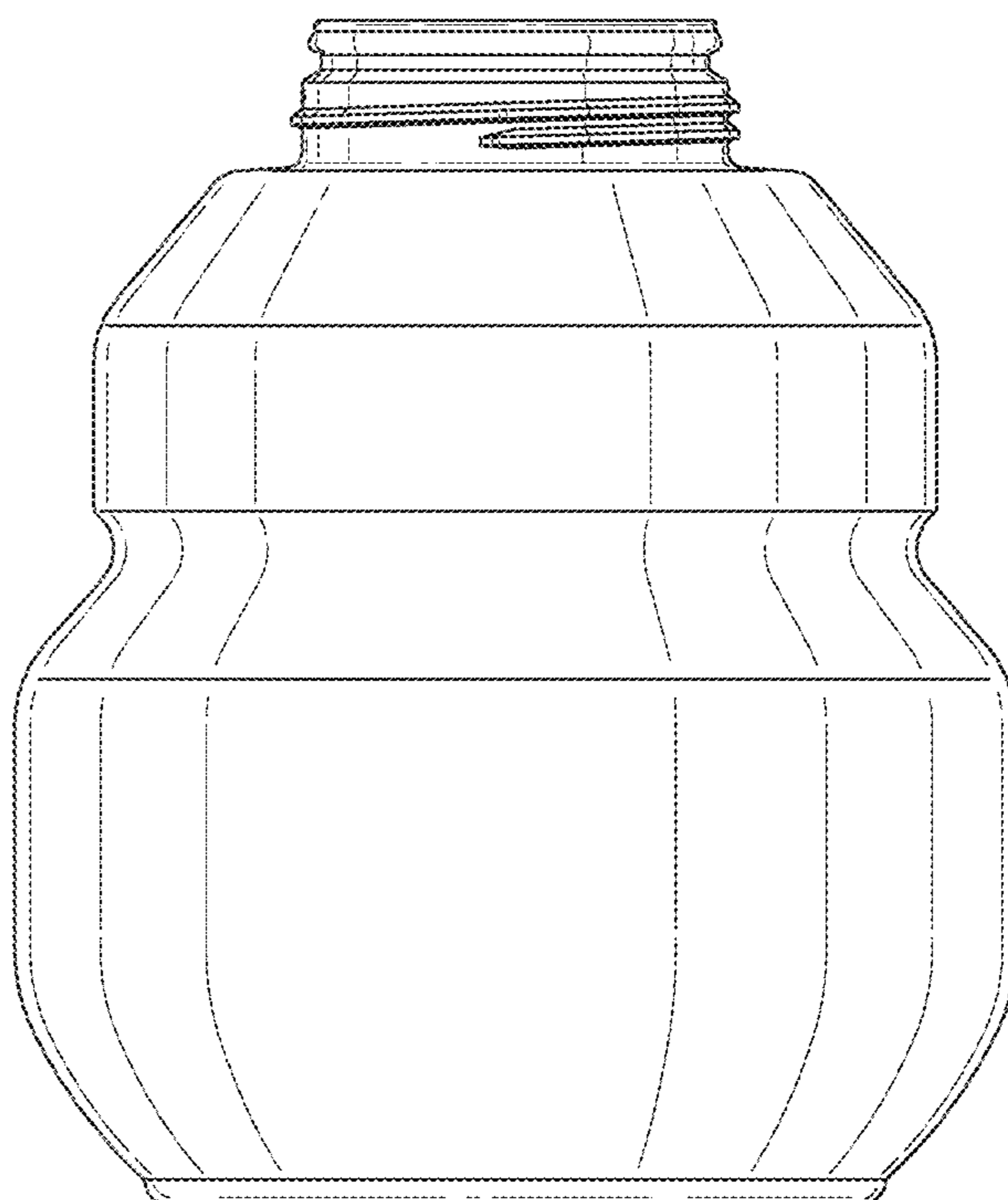


FIG. 11

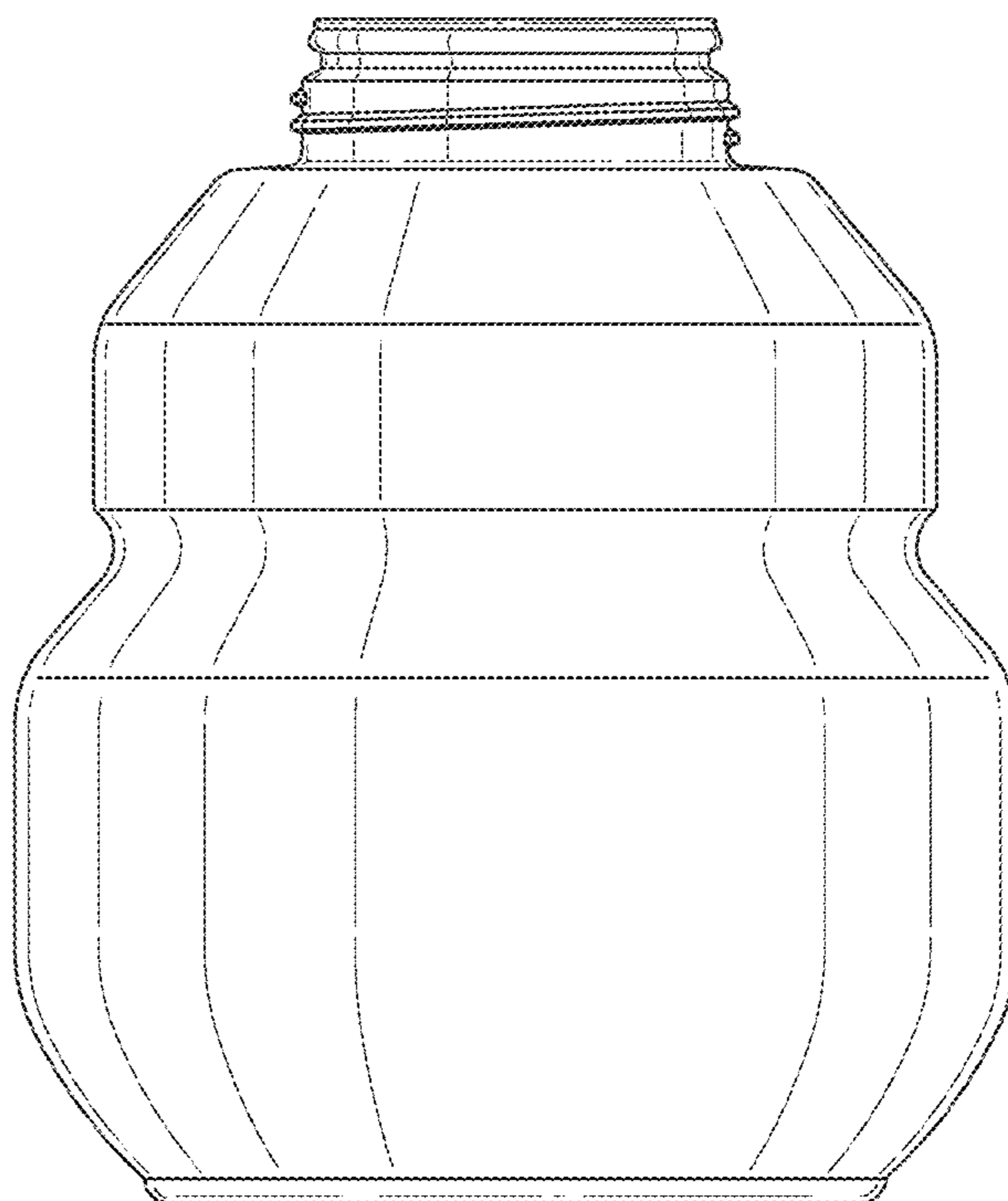


FIG. 12

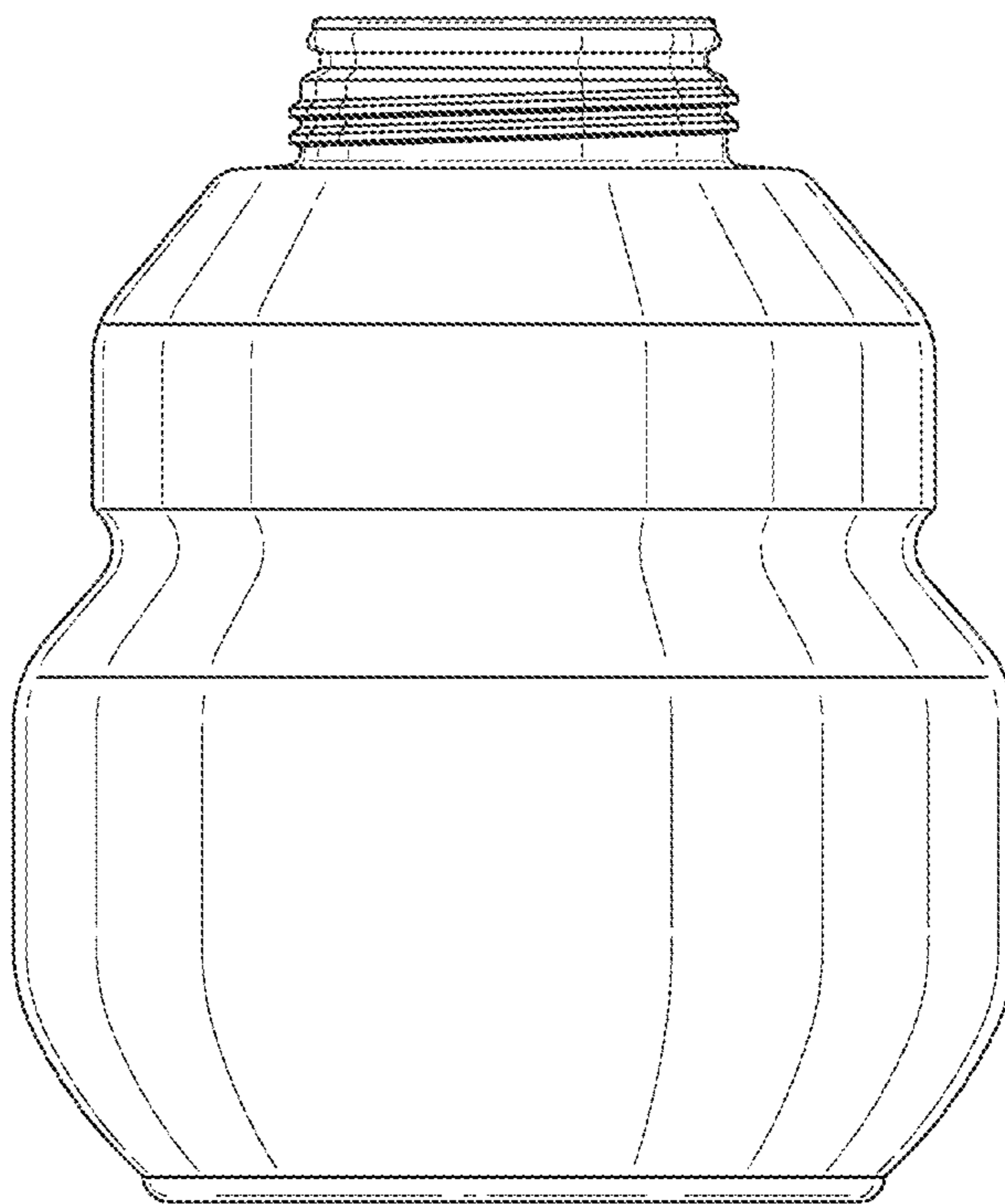
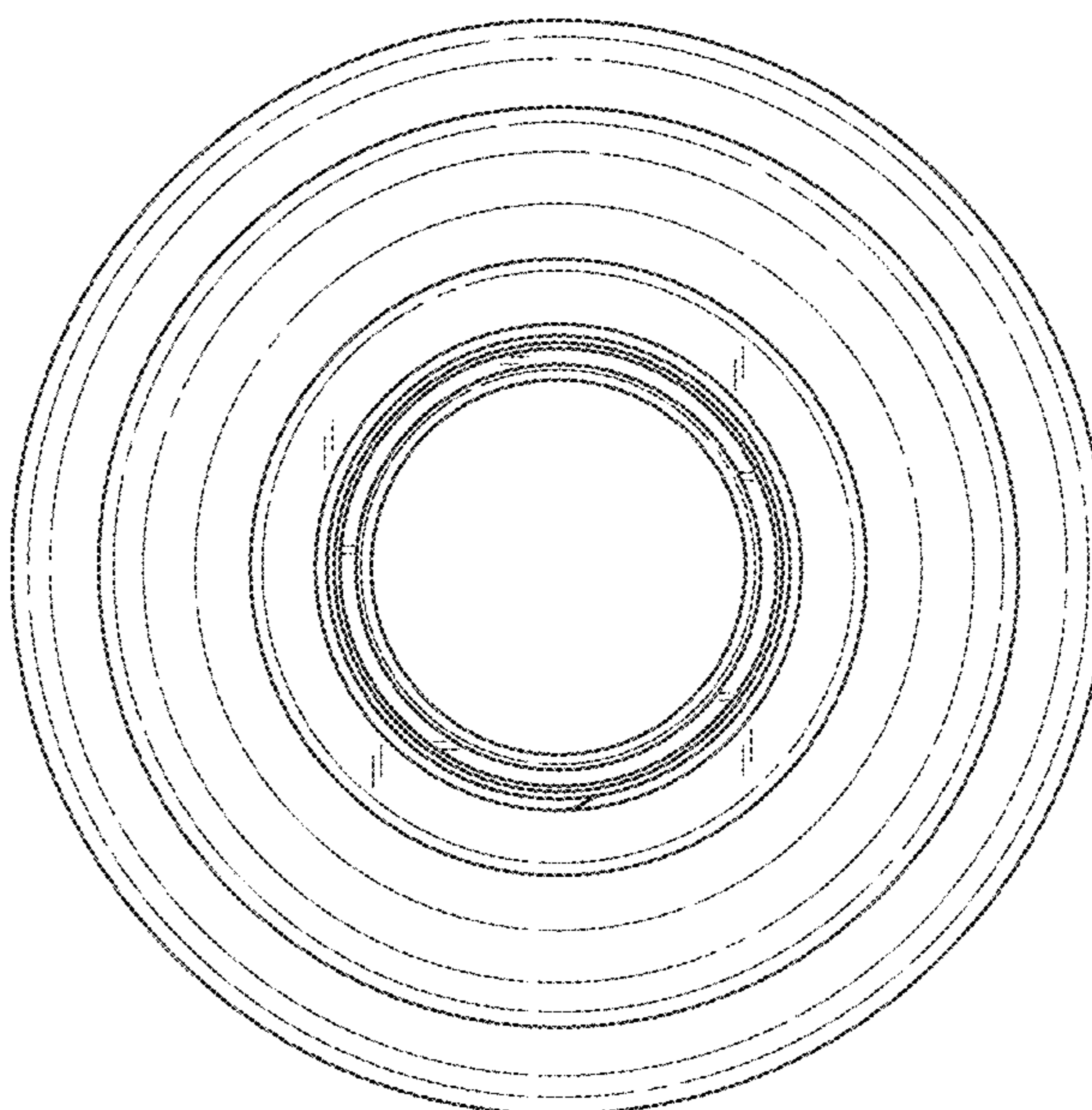


FIG. 13



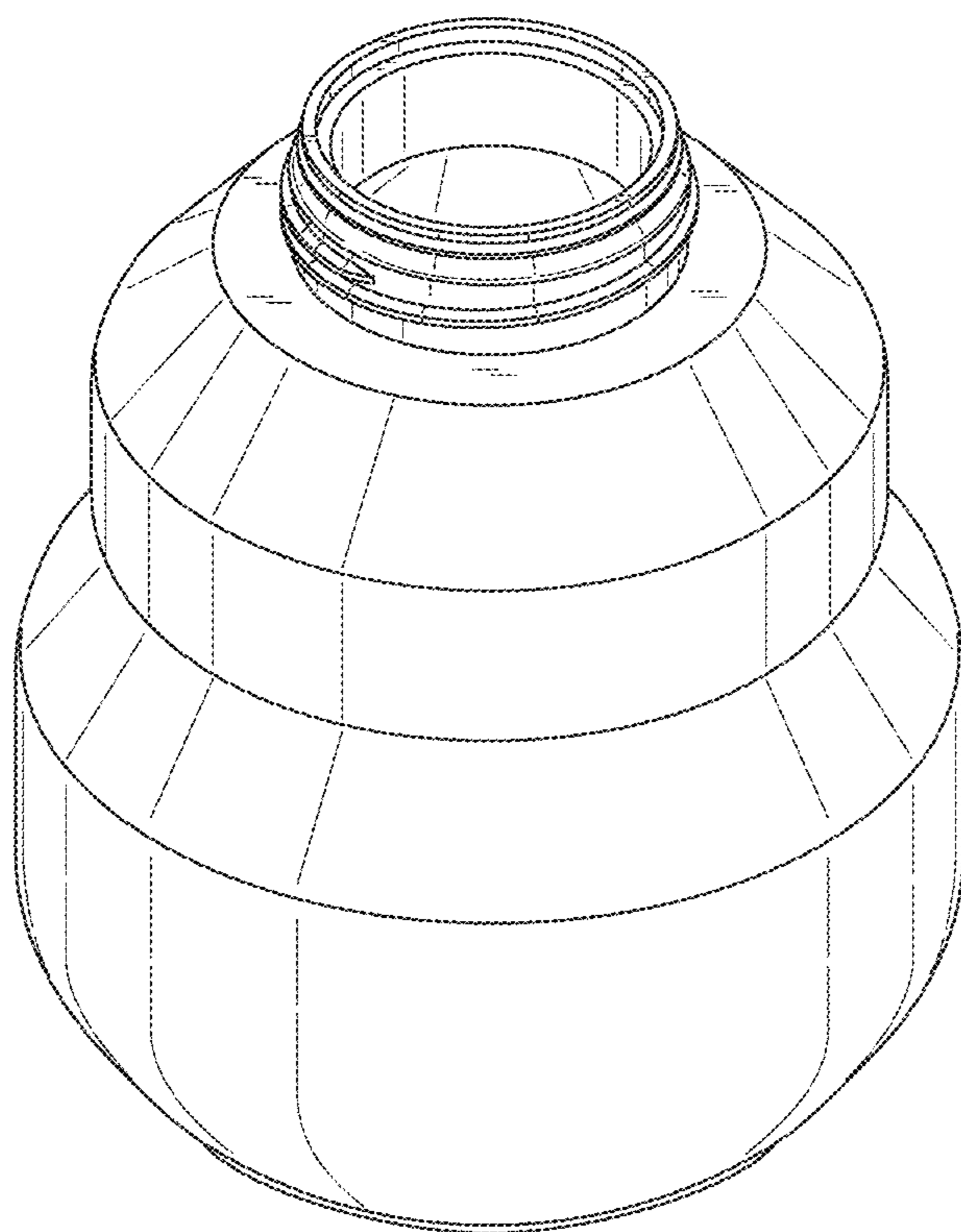


FIG. 14

FIG. 15

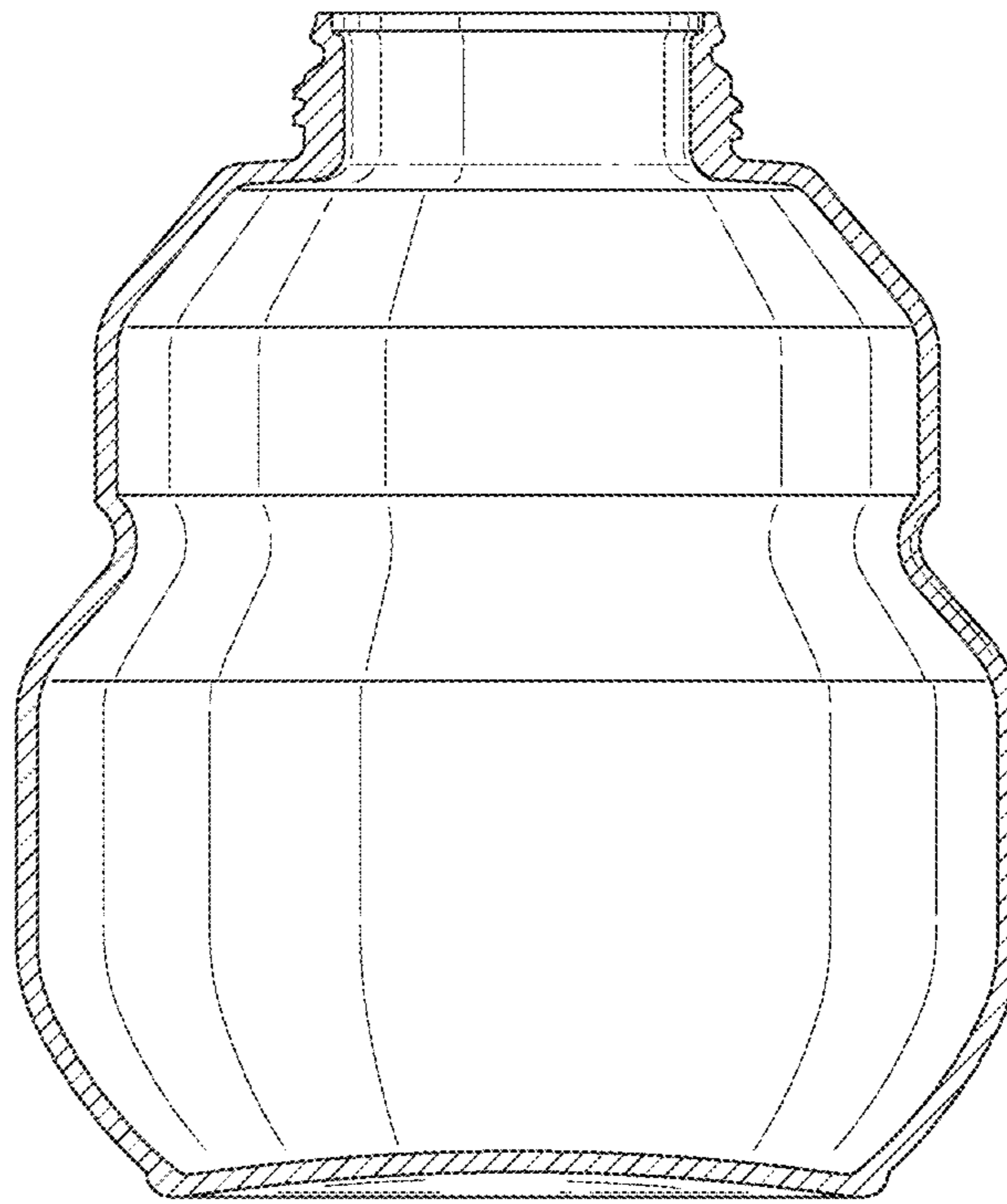


FIG. 16

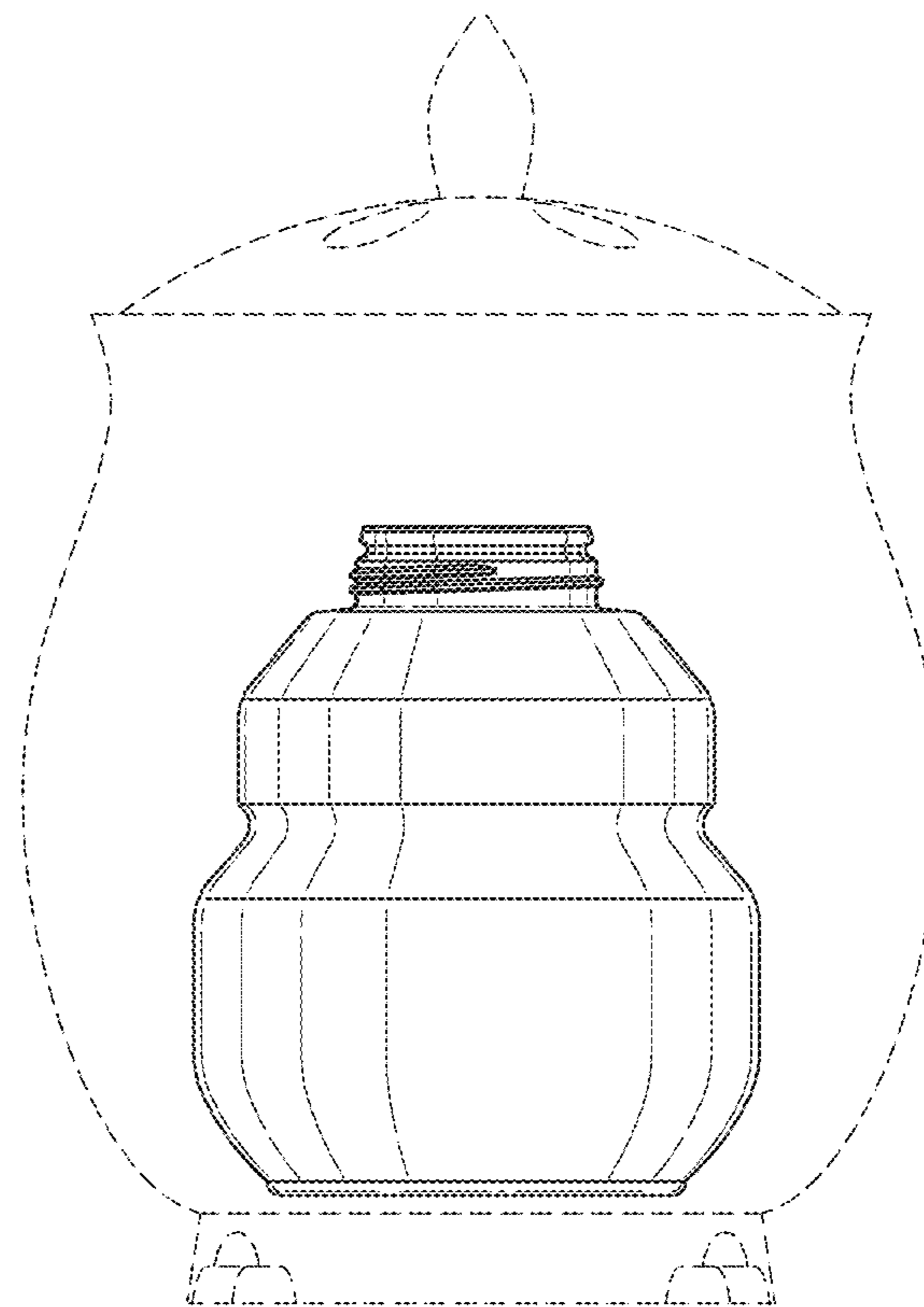


FIG. 17

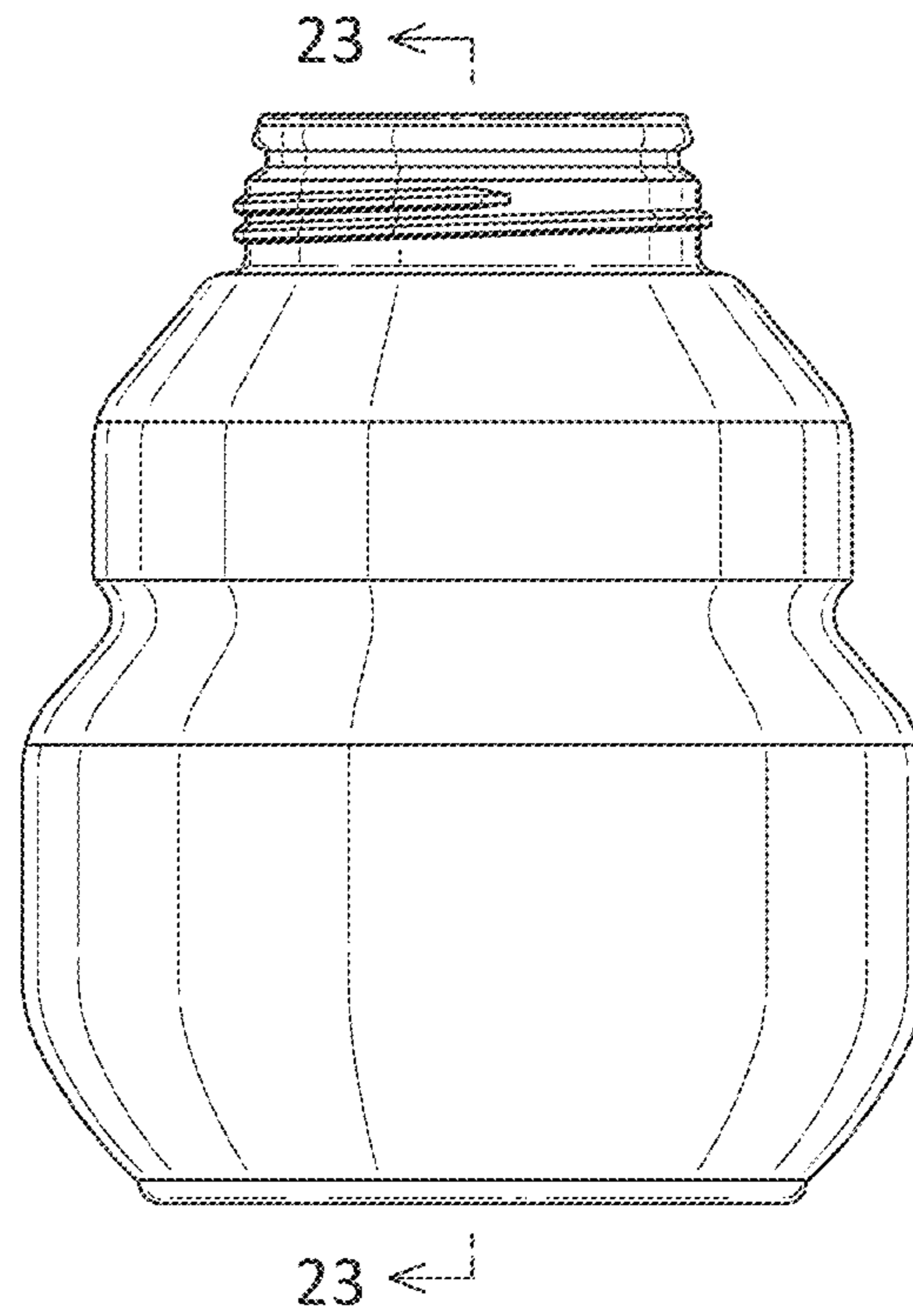


FIG. 18

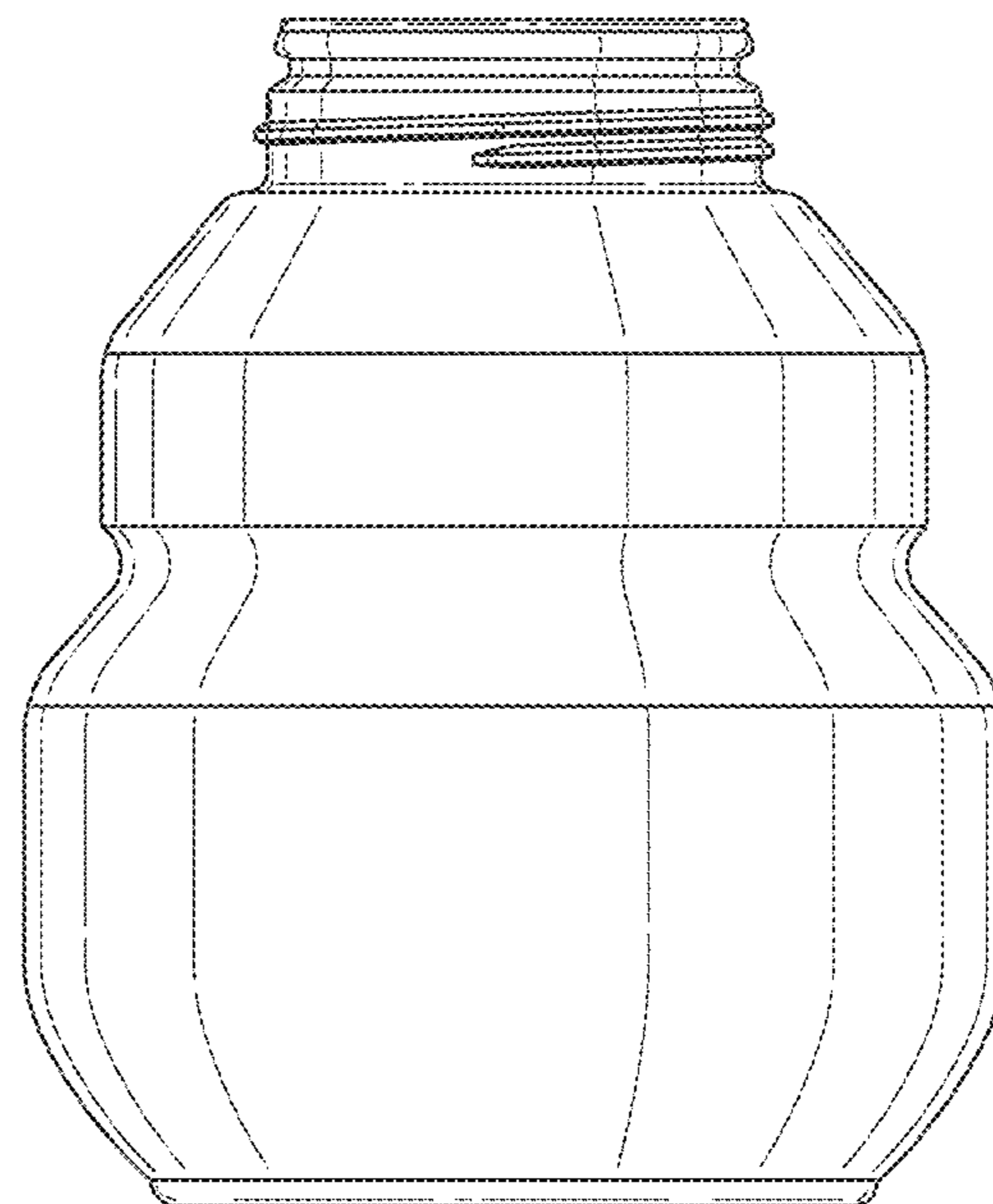


FIG. 19

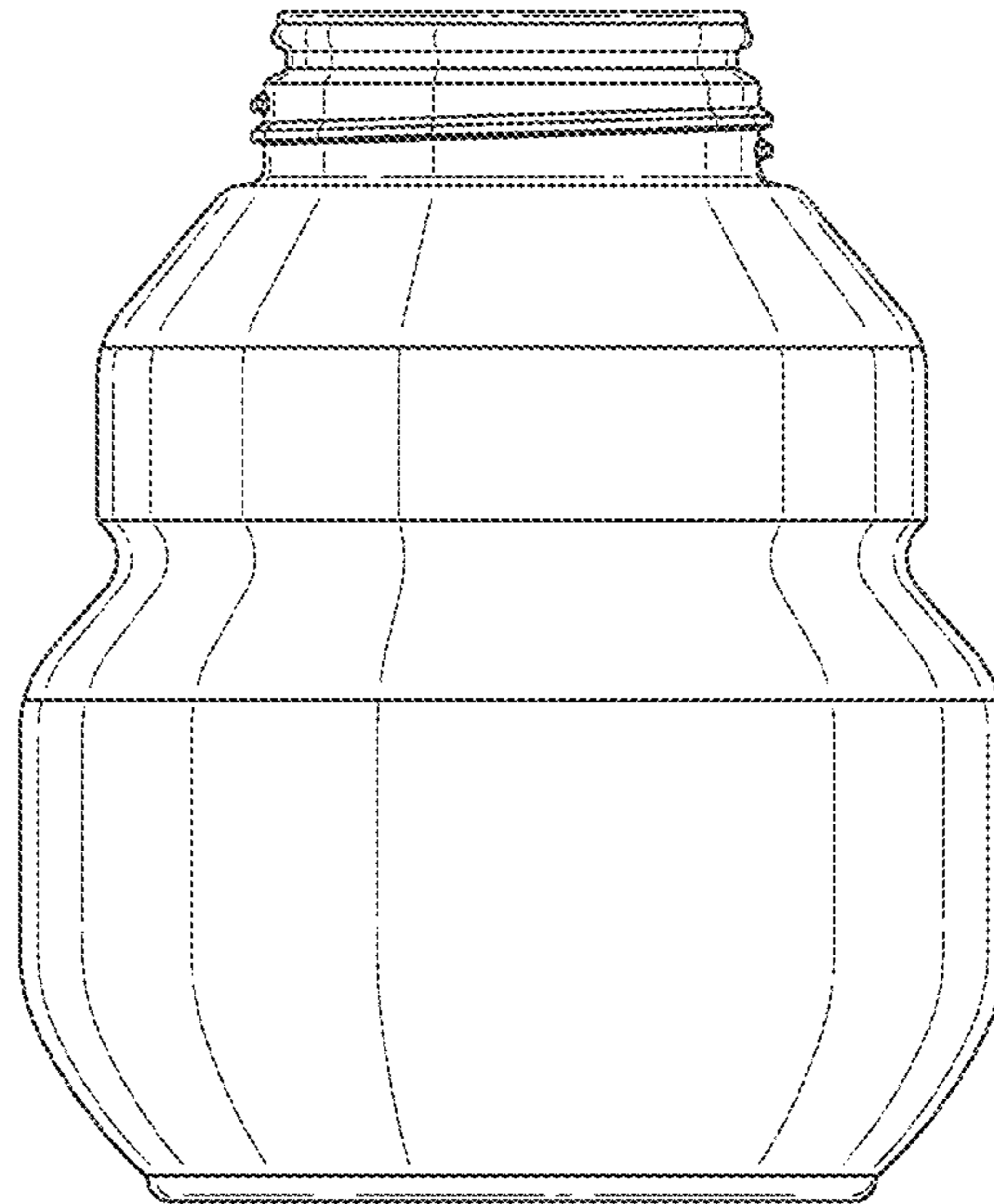
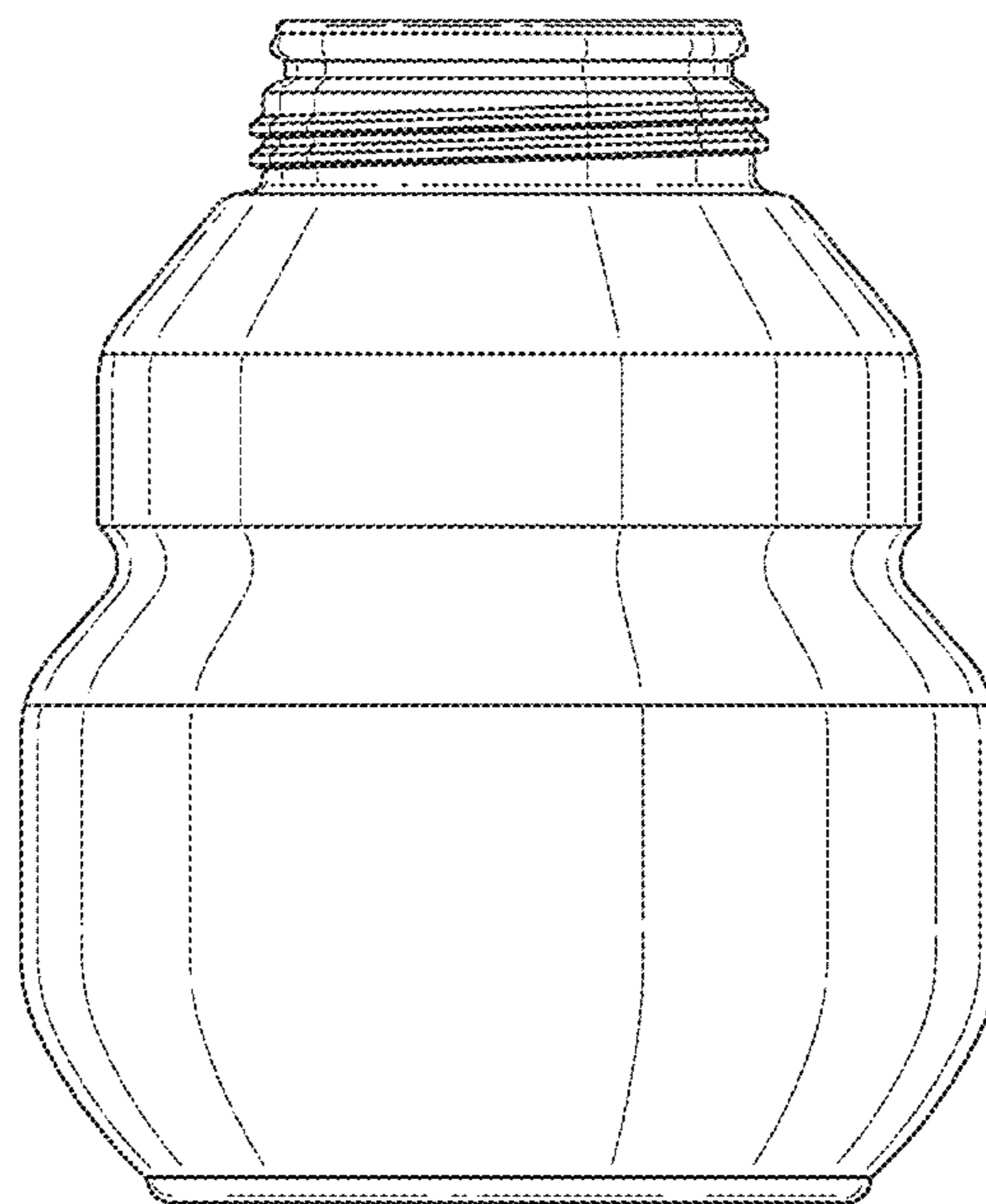


FIG. 20



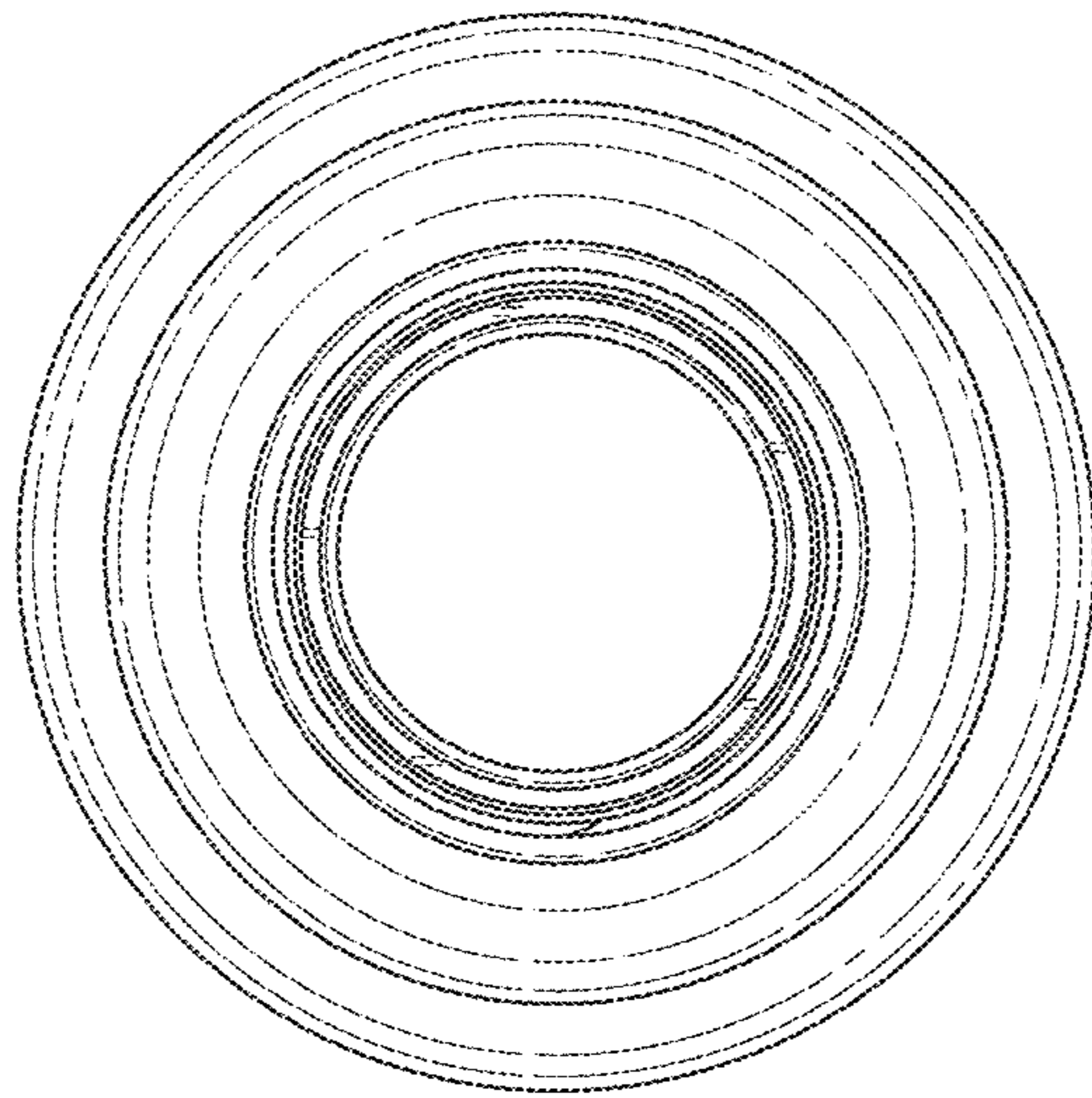


FIG. 21

FIG. 22

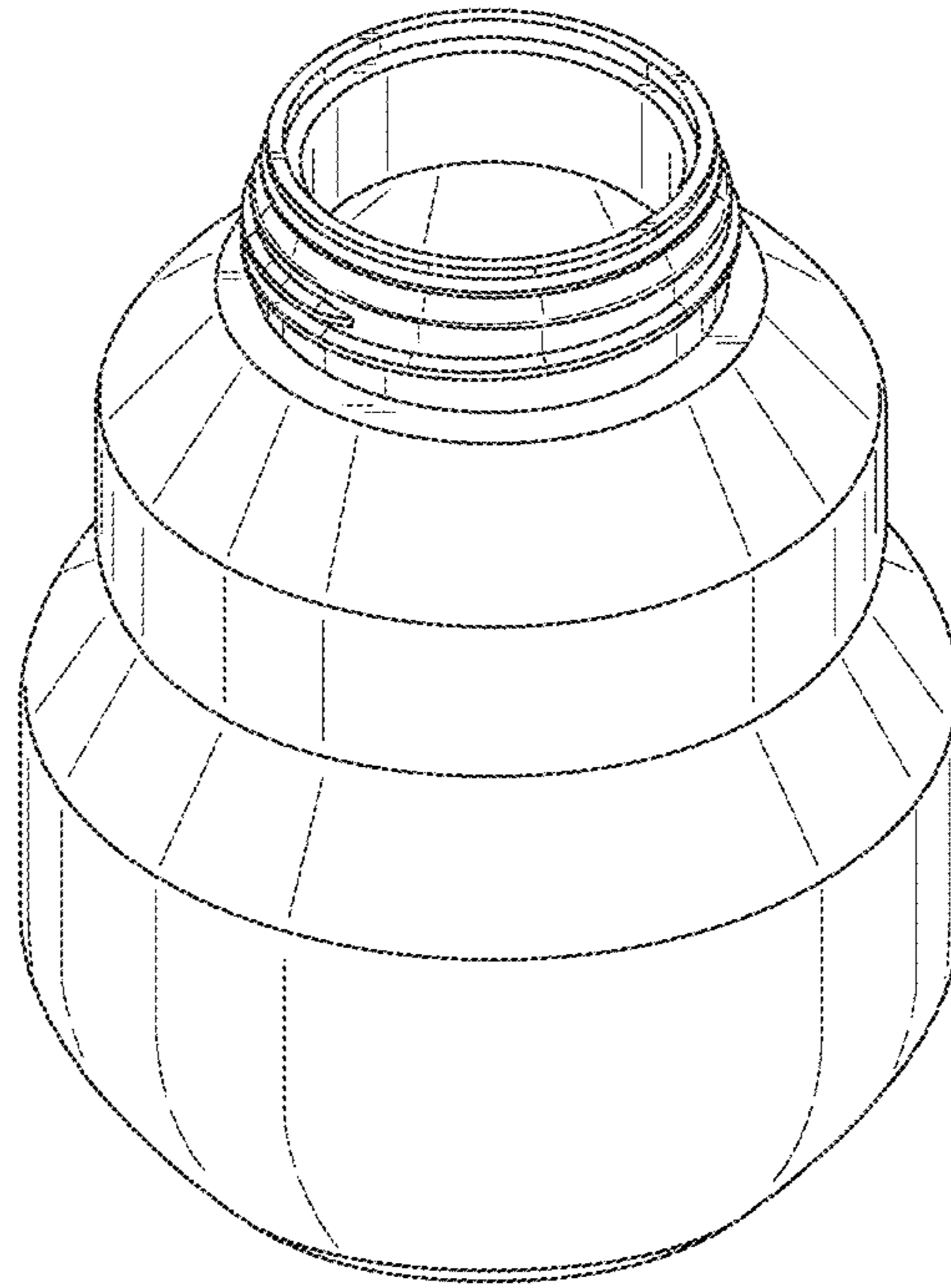
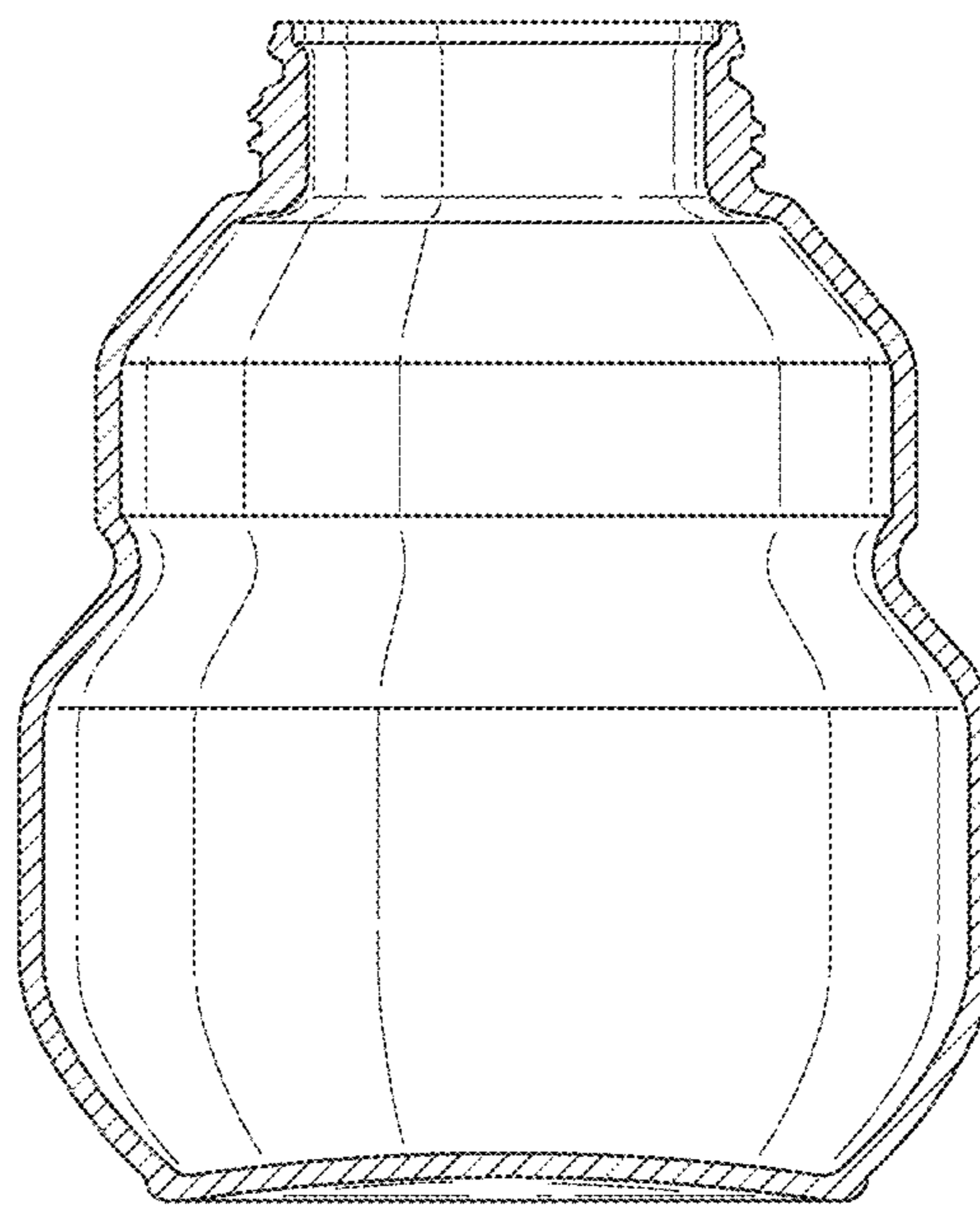


FIG. 23



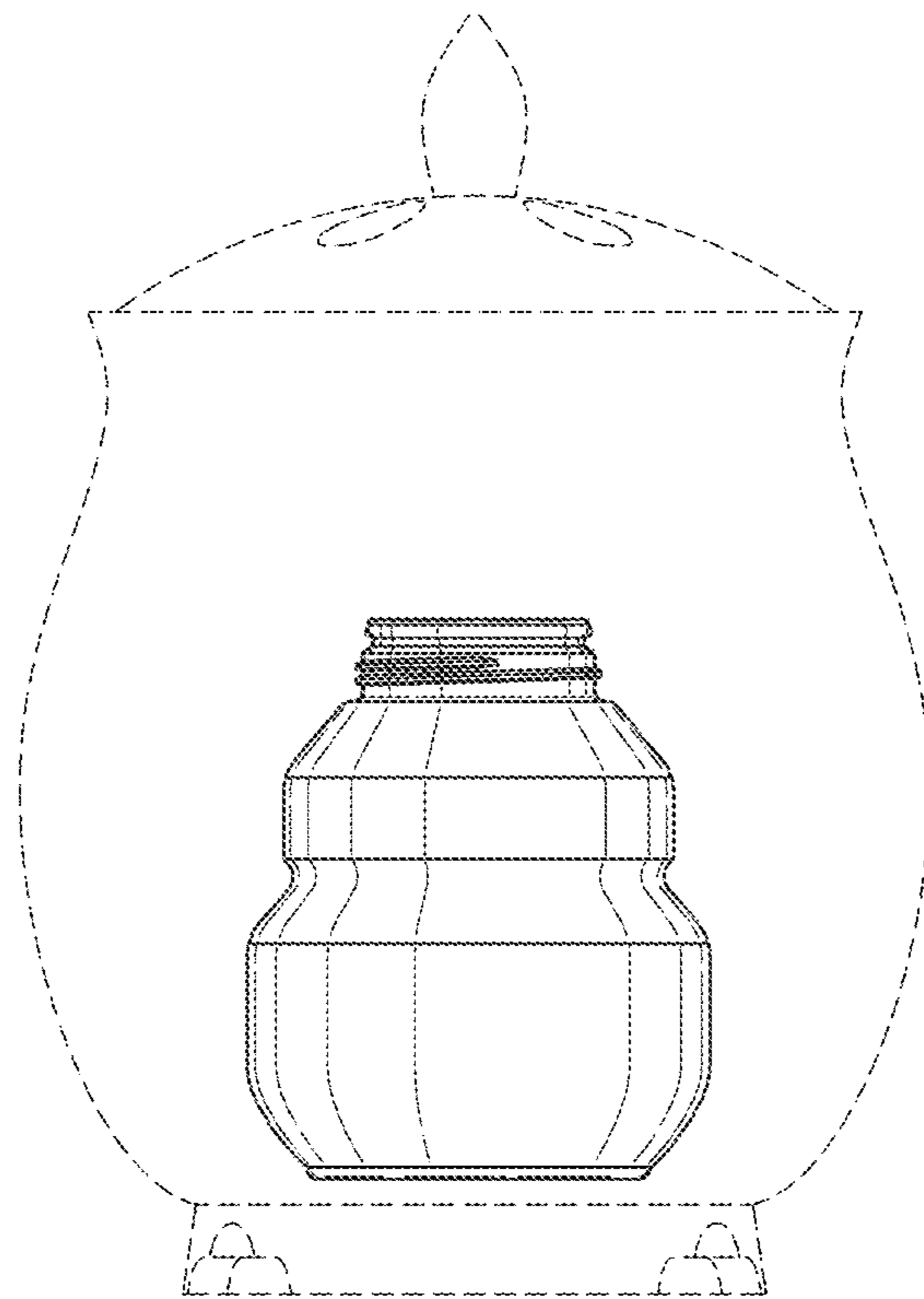


FIG. 24