

US00D936478S

(12) **United States Design Patent** (10) **Patent No.:** **US D936,478 S**  
**Cornehl et al.** (45) **Date of Patent:** **\*\* \*Nov. 23, 2021**

(54) **BOTTLE**  
(71) Applicant: **By Quest LLC**, Millburn, NJ (US)  
(72) Inventors: **Ingrid Cornehl**, Morristown, NJ (US);  
**Sallie Reynolds Allen**, Charleston, SC (US)  
(73) Assignee: **By Quest LLC**, Millburn, NJ (US)  
(\* ) Notice: This patent is subject to a terminal disclaimer.  
(\*\*) Term: **15 Years**

(21) Appl. No.: **29/716,761**  
(22) Filed: **Dec. 11, 2019**  
(51) **LOC (13) Cl.** ..... **09-01**  
(52) **U.S. Cl.**  
USPC ..... **D9/500**; D9/516  
(58) **Field of Classification Search**  
USPC ..... D9/428, 454, 500–505, 516, 529, 537,  
D9/545, 549, 551, 573–575, 688, 738,  
D9/767, 772, 538, 539, 540, 552, 560,  
D9/544, 553, 628; D28/4, 8, 76, 78, 79,  
D28/82, 91; D26/6, 22; D7/316, 598,  
D7/603, 629, 597, 608  
CPC ..... B65D 7/04; B65D 1/165; B65D 45/24;  
B65D 1/0246; B65D 1/0207; Y10S  
220/906; B21D 51/2615; A47G 19/2255  
See application file for complete search history.

(56) **References Cited**  
U.S. PATENT DOCUMENTS

D9,417 S	8/1876	Fetters
D19,726 S	3/1890	Stent
D21,509 S	4/1892	Oberfelder
D24,464 S	7/1895	De Witt
D25,048 S	1/1896	Sherwood
D25,402 S	4/1896	Nelson
D27,320 S	7/1897	Murphy
1,647,175 A	11/1927	Grunberg
D76,129 S	8/1928	Edwards

D80,709 S	3/1930	Teague	
D86,629 S	3/1932	Nitardy	
D86,680 S *	4/1932	Mas	D9/554
D95,260 S	4/1935	Key	
D96,267 S *	7/1935	Meyer	D9/550
D97,178 S	10/1935	Clevenger	
D99,434 S	4/1936	Furest	
D100,230 S	6/1936	Steelman	
D103,911 S	3/1937	Knox	
D105,540 S	8/1937	Smith	
D109,512 S	5/1938	Furest	
D158,365 S *	5/1950	Fantel	D9/544
D172,090 S *	5/1954	Du Pree	D9/544

(Continued)

FOREIGN PATENT DOCUMENTS

CN	3512063	*	3/2006
CN	3516409	*	4/2006

(Continued)

OTHER PUBLICATIONS

Notice of Allowance dated Mar. 18, 2021, issued in connection with U.S. Appl. No. 29/716,760 (5 pages).

(Continued)

*Primary Examiner* — Brett Miller  
*Assistant Examiner* — Rani J Abdallah  
(74) *Attorney, Agent, or Firm* — McCarter & English, LLP

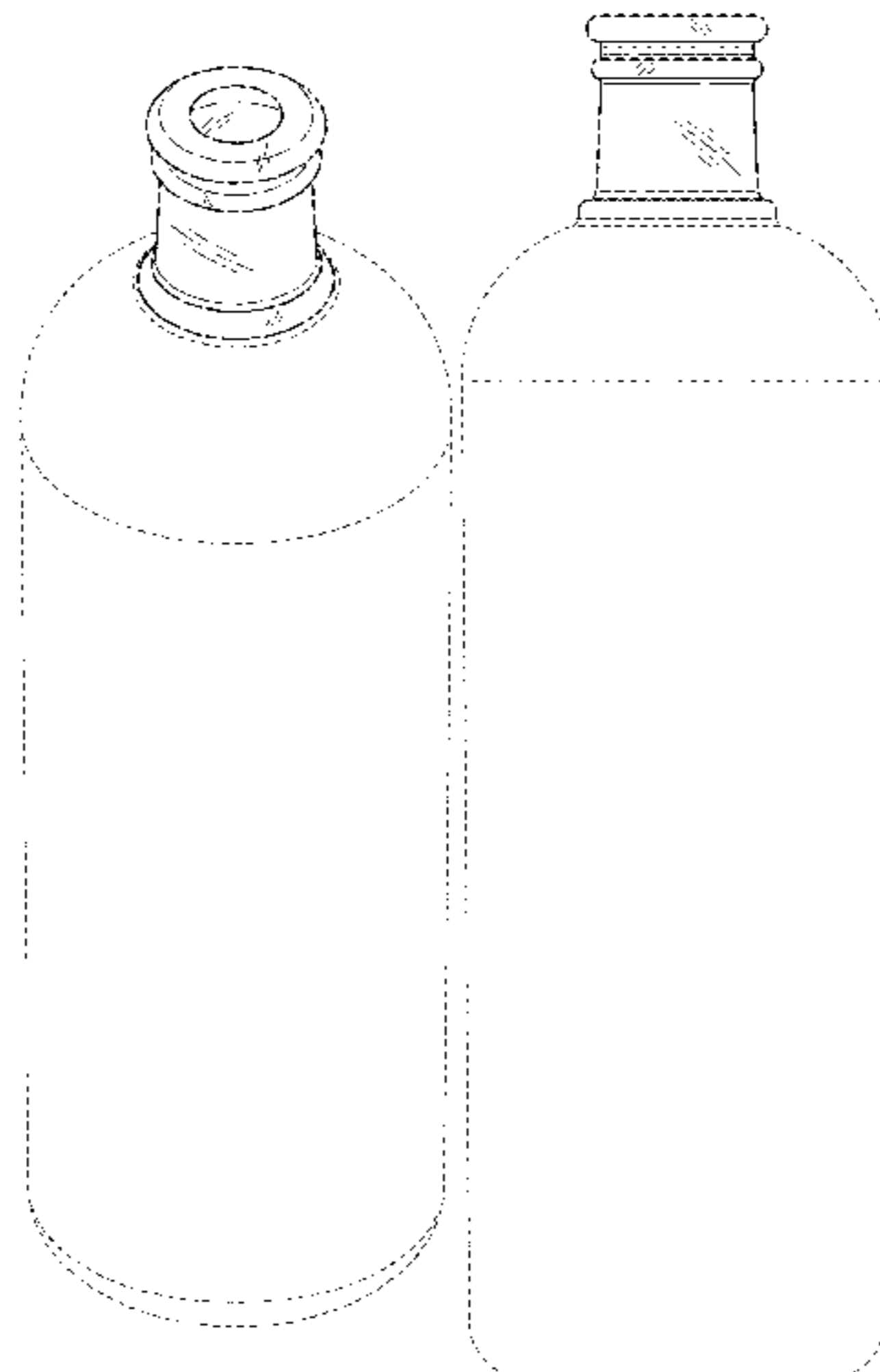
(57) **CLAIM**

The ornamental design for a bottle, as shown and described.

**DESCRIPTION**

FIG. 1 is a perspective view of the bottle;  
FIG. 2 is a front view thereof, the rear, right side and left side views being substantially identical;  
FIG. 3 is a top view thereof; and,  
FIG. 4 is a bottom view thereof.  
The broken lines in the drawings are for the purpose of illustrating environment and form no part of the claimed design.

**1 Claim, 3 Drawing Sheets**



(56)

References Cited

U.S. PATENT DOCUMENTS

D172,691 S 7/1954 Slavin  
 D225,973 S 1/1973 Seteraklan  
 D229,482 S 12/1973 Suhard  
 D233,982 S 12/1974 De Graw  
 D234,291 S 2/1975 Broadhead  
 D237,778 S 11/1975 Lorgues  
 D241,012 S 8/1976 Muller y de Abadal  
 D241,916 S 10/1976 Barcelo de Torres  
 D249,462 S 9/1978 Schwartz et al.  
 D253,038 S 10/1979 Plummer  
 D253,454 S 11/1979 Earle  
 D257,579 S 12/1980 Hayes  
 D260,611 S 9/1981 Balcells  
 D264,937 S 6/1982 Groark  
 D265,382 S 7/1982 Jonsson  
 D279,547 S 7/1985 Tobias  
 D326,812 S 6/1992 Noakes et al.  
 D330,861 S 11/1992 Lower  
 D339,517 S 9/1993 Jobit  
 D379,765 S 6/1997 Hencher  
 D384,887 S 10/1997 Rafflin  
 D414,238 S 9/1999 Kupperman  
 D434,661 S 12/2000 Zambrano  
 D434,662 S 12/2000 Colonna  
 D450,597 S 11/2001 Bobchenok et al.  
 D452,648 S 1/2002 Jakubiuk  
 D456,271 S 4/2002 Maloney  
 D476,571 S 7/2003 Lince  
 D477,533 S 7/2003 Kornick et al.  
 D477,534 S 7/2003 Kornick et al.  
 D483,264 S 12/2003 Canepa  
 D484,415 S 12/2003 Hadtke et al.  
 D497,310 S 10/2004 Kratko  
 D514,448 S 2/2006 Kuzma et al.  
 D526,569 S 8/2006 Wurster et al.  
 D530,207 S \* 10/2006 Brandt ..... D9/500  
 D546,183 S \* 7/2007 Clutter ..... D9/500  
 D584,634 S 1/2009 Perez et al.  
 D585,755 S 2/2009 Dodge et al.  
 D590,721 S 4/2009 Martinez De San Vicente  
 D591,159 S 4/2009 Pagliaro  
 D595,134 S 6/2009 Rica  
 D597,413 S 8/2009 Teuscher  
 D606,408 S 12/2009 Kulsveen  
 D622,600 S 8/2010 Bradfield et al.  
 D623,534 S 9/2010 Shearsby et al.  
 D626,419 S 11/2010 Adamson  
 D635,857 S \* 4/2011 Lauret ..... D9/500  
 D636,677 S 4/2011 Diez et al.  
 D652,301 S 1/2012 Pelkey  
 D653,117 S 1/2012 Murphy  
 D653,551 S 2/2012 Murphy  
 D653,558 S 2/2012 Kania  
 D654,794 S 2/2012 Morais et al.  
 D655,172 S \* 3/2012 Brooks ..... D9/575  
 D655,177 S 3/2012 Gonzalez Rodriguez  
 D657,245 S 4/2012 Delbon  
 D658,995 S 5/2012 Potts  
 D658,997 S \* 5/2012 Potts ..... D9/500  
 D661,587 S 6/2012 Rodriguez  
 D669,355 S 10/2012 Gonzalez Rodriguez  
 D669,356 S 10/2012 Jacober  
 D673,854 S 1/2013 James  
 D678,068 S \* 3/2013 Huang ..... D9/500  
 D679,600 S \* 4/2013 Gonzalez Rodriguez ..... D9/500  
 D687,312 S 8/2013 Biscardo  
 D688,948 S 9/2013 Gonzalez Rodriguez  
 D689,332 S \* 9/2013 Krasner ..... D9/503  
 D691,475 S \* 10/2013 Potts ..... D9/500  
 D696,116 S \* 12/2013 Jacober ..... D9/500  
 D696,945 S \* 1/2014 Newman ..... D9/500  
 D697,417 S 1/2014 Maczassek  
 D697,423 S 1/2014 Infahsaeng  
 D698,256 S 1/2014 Thompson  
 D698,647 S 2/2014 Maillet et al.

D698,648 S 2/2014 Letamendi  
 D705,073 S 5/2014 Pluta  
 D706,634 S 6/2014 Herman et al.  
 D707,126 S 6/2014 Pizzolo  
 D719,030 S 12/2014 Perez-Cabrera  
 D723,923 S 3/2015 Smith  
 D723,924 S 3/2015 Laib et al.  
 D725,471 S \* 3/2015 Jacober ..... D9/500  
 D725,472 S \* 3/2015 Jacober ..... D9/500  
 D731,318 S 6/2015 Monaghan et al.  
 D732,961 S 6/2015 Neave  
 D739,731 S \* 9/2015 Jones ..... D9/500  
 D739,732 S \* 9/2015 Jones ..... D9/500  
 D741,719 S 10/2015 Reynolds  
 D743,259 S \* 11/2015 Delacourt ..... D9/500  
 D752,447 S 3/2016 Reynolds  
 D761,655 S 7/2016 Chung  
 D765,509 S 9/2016 Laib et al.  
 D765,510 S 9/2016 Laib et al.  
 D766,092 S 9/2016 Maillet et al.  
 D782,321 S 3/2017 Ihorovych  
 D786,076 S 5/2017 Redondo  
 D786,687 S 5/2017 Cooper  
 D787,332 S 5/2017 Peneda  
 D790,279 S 6/2017 Izen et al.  
 D792,231 S 7/2017 Thompson  
 D799,323 S 10/2017 Verde  
 D799,968 S 10/2017 Harris  
 D799,969 S 10/2017 Harris  
 D800,559 S 10/2017 Gonzalez Rodriguez  
 D804,309 S \* 12/2017 Hines ..... D9/500  
 D807,177 S 1/2018 Belinsky et al.  
 D813,675 S 3/2018 Matauch  
 D813,677 S 3/2018 Pelkey  
 D815,527 S 4/2018 Harris  
 D815,530 S 4/2018 Paredes et al.  
 D815,541 S 4/2018 Harris et al.  
 D815,543 S 4/2018 Mazzer et al.  
 D815,946 S \* 4/2018 Thompson ..... D9/500  
 D824,764 S 8/2018 Miller  
 D829,101 S 9/2018 Spivey et al.  
 D830,826 S 10/2018 Bae  
 D837,657 S 1/2019 Jerez Quintana  
 D845,138 S 4/2019 Atkins  
 D847,636 S 5/2019 Harris et al.  
 D847,646 S 5/2019 Harris et al.  
 D847,648 S 5/2019 Birkhoff et al.  
 D847,649 S 5/2019 Harris et al.  
 D850,266 S 6/2019 Harris et al.  
 D873,665 S \* 1/2020 Yen ..... D9/500  
 D878,572 S 3/2020 Davis et al.  
 D882,406 S \* 4/2020 Bulfoni ..... D9/500  
 D883,089 S 5/2020 Welch  
 D883,090 S 5/2020 Feletto  
 D885,194 S \* 5/2020 Bottega ..... D9/503  
 D891,254 S \* 7/2020 Cornehl ..... D9/516  
 D892,618 S 8/2020 Feletto  
 D893,309 S 8/2020 Van Skaik et al.  
 D898,574 S \* 10/2020 Lauret ..... D9/500  
 D900,617 S 11/2020 Repellin  
 D903,497 S \* 12/2020 Cornehl ..... D9/516  
 D906,817 S 1/2021 Abercrombie et al.  
 D910,447 S 2/2021 Feletto  
 D912,519 S 3/2021 Cornehl et al.  
 D918,051 S 5/2021 Sanghavi  
 2016/0214764 A1 7/2016 Cukman et al.

FOREIGN PATENT DOCUMENTS

CN 3590291 \* 12/2006  
 CN 302708339 \* 1/2014  
 CN 304897463 \* 11/2018

OTHER PUBLICATIONS

Office Action dated Feb. 12, 2021, issued in connection with U.S.  
 Appl. No. 29/716,760 (10 pages).

(56)

**References Cited**

OTHER PUBLICATIONS

Notice of Allowance dated Apr. 9, 2020, issued in connection with U.S. Appl. No. 29/716,759 (11 pages).  
Office Action dated Jul. 9, 2020, issued in connection with U.S. Appl. No. 29/737,750 (6 pages).  
Notice of Allowance dated Jul. 28, 2020, issued in connection with U.S. Appl. No. 29/737,754 (9 pages).  
Notice of Allowance dated Nov. 25, 2020, issued in connection with U.S. Appl. No. 29/737,750 (8 pages).  
Notice of Allowance dated Mar. 19, 2021, issued in connection with U.S. Appl. No. 29/716,762 (5 pages).  
Office Action dated Feb. 12, 2021, issued in connection with U.S. Appl. No. 29/716,762 (9 pages).  
Office Action dated Jul. 2, 2021, issued in connection with U.S. Appl. No. 29/773,736 (10 pages).  
Office Action dated Jul. 2, 2021, issued in connection with U.S. Appl. No. 29/773,750 (8 pages).  
Office Action dated Jul. 2, 2021, issued in connection with U.S. Appl. No. 29/773,742 (10 pages).  
Office Action dated Jul. 2, 2021, issued in connection with U.S. Appl. No. 29/773,747 (9 pages).  
Office Action dated Jul. 2, 2021, issued in connection with U.S. Appl. No. 29/773,709 (10 pages).  
Office Action dated Jul. 2, 2021, issued in connection with U.S. Appl. No. 29/773,708 (10 pages).  
Notice of Allowance dated Jul. 9, 2021, issued in connection with U.S. Appl. No. 29/716,762 (5 pages).  
Notice of Allowance dated Jul. 8, 2021, issued in connection with U.S. Appl. No. 29/716,760 (5 pages).

\* cited by examiner

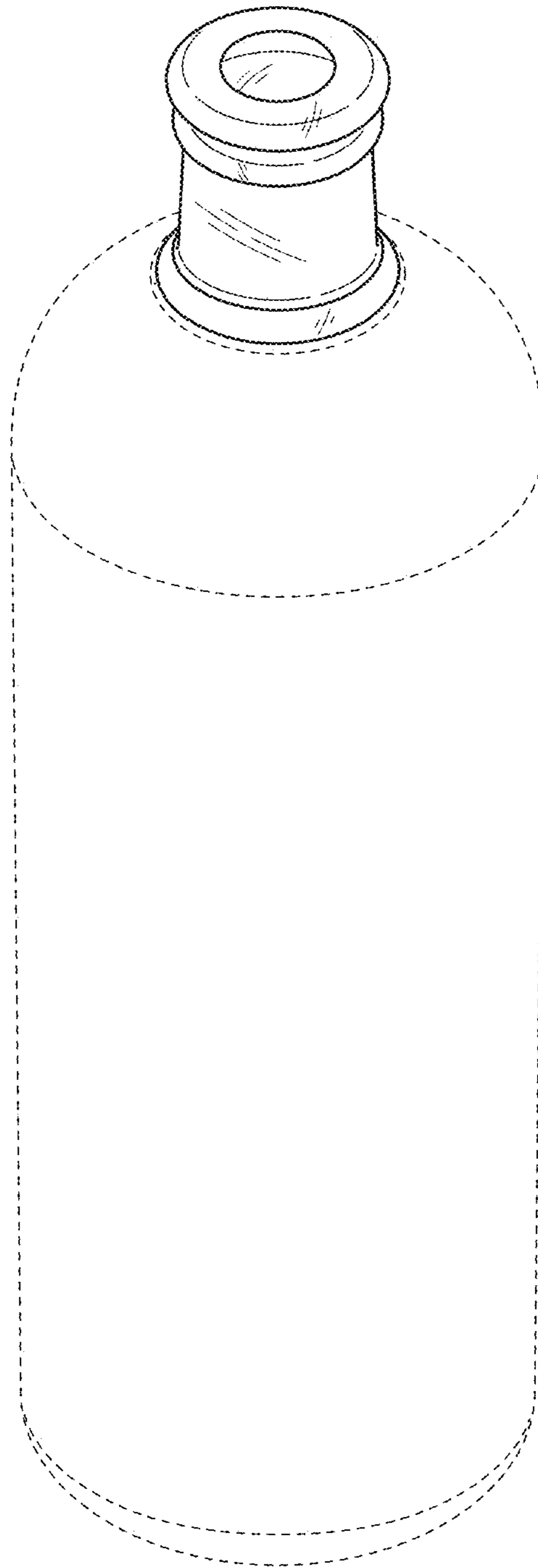


FIG. 1

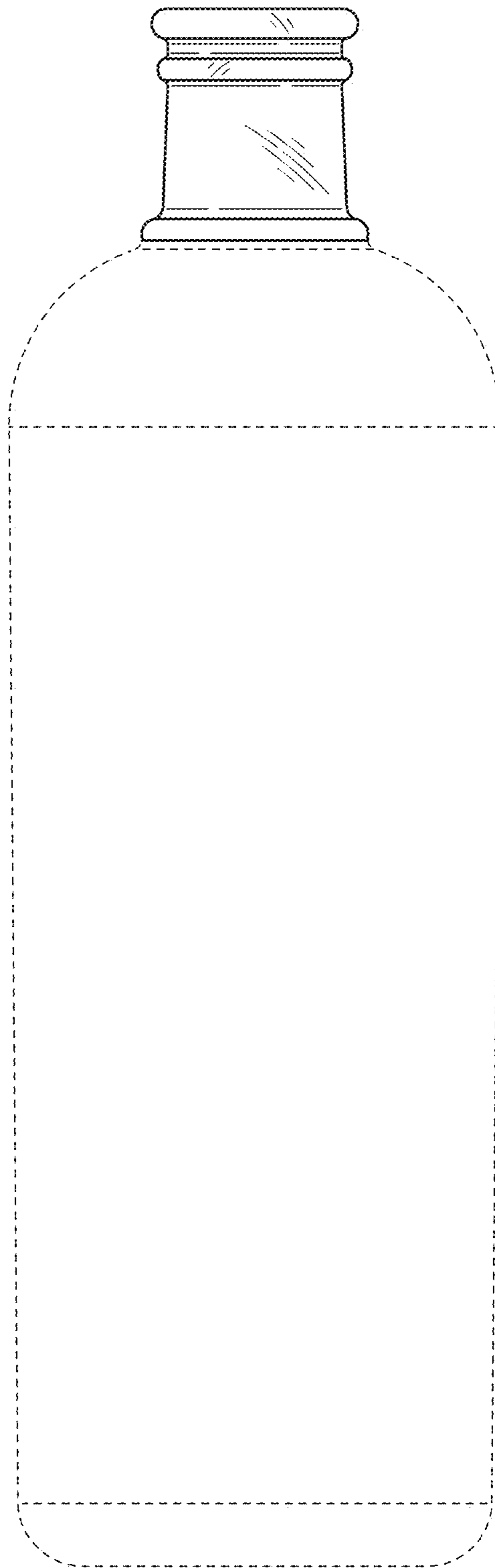
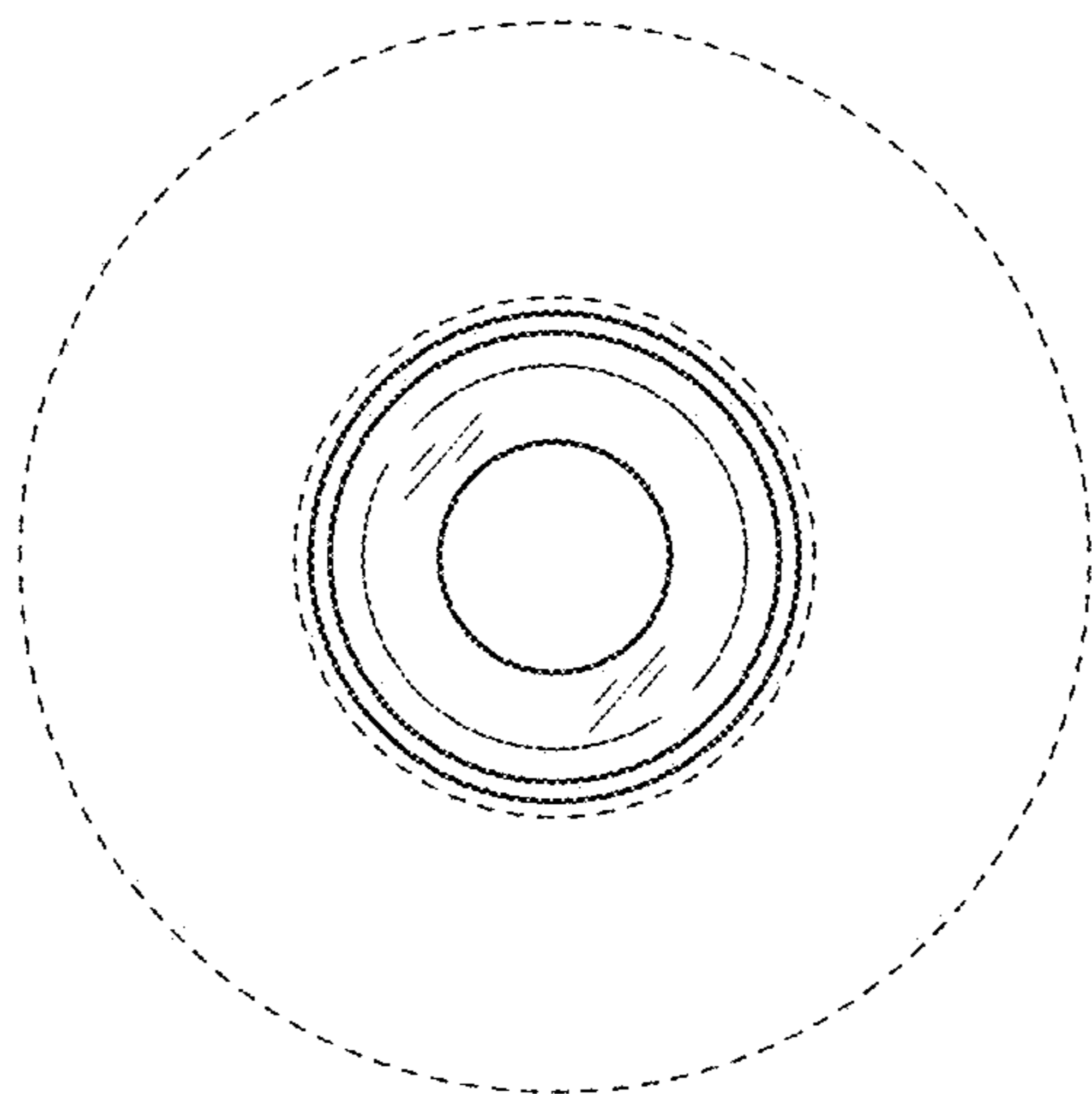
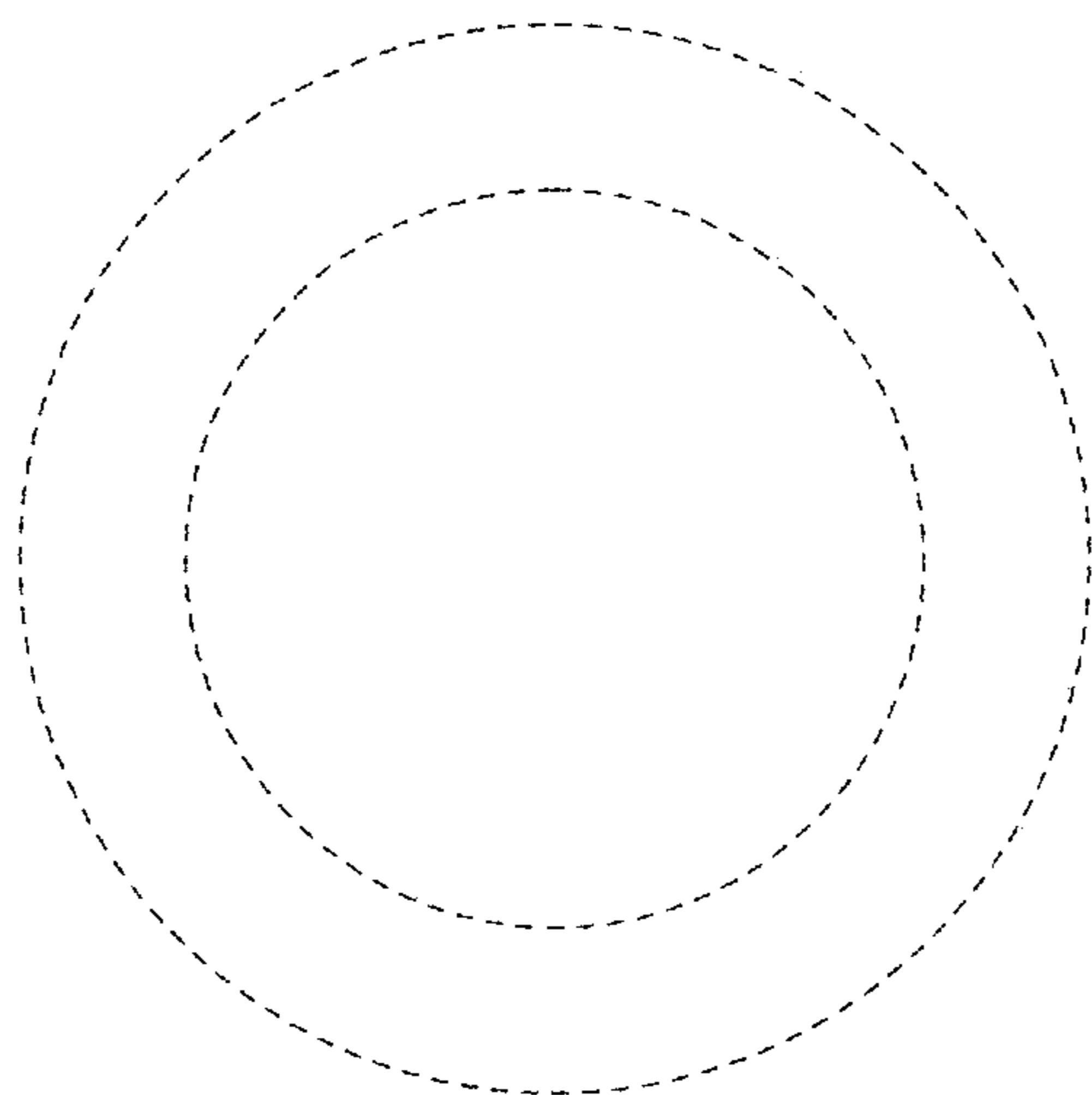


FIG. 2



**FIG. 3**



**FIG. 4**