



US00D936477S

(12) **United States Design Patent** (10) **Patent No.:** **US D936,477 S**
Kneepkens (45) **Date of Patent:** **** Nov. 23, 2021**

(54) **POURING SPOUT**
(71) Applicant: **Holding W.H.J. Kneepkens B.V.**,
Nederweert (NL)
(72) Inventor: **Mark Kneepkens**, Nederweert (NL)
(73) Assignee: **Holding W.H.J. Kneepkens B.V.**,
Nederweert (NL)

D623,943 S * 9/2010 Weld D9/454
D676,744 S * 2/2013 Nickel D9/435
D679,998 S * 4/2013 Kim D9/448
D681,457 S * 5/2013 Mannoia D9/448
D684,009 S * 6/2013 Bell D7/397
D710,695 S * 8/2014 Pritikin D9/435
D715,146 S * 10/2014 Holmes D9/447
D721,583 S * 1/2015 Son D9/448
D722,499 S * 2/2015 Son D9/448
D732,955 S * 6/2015 Peckels D9/440

(Continued)

(**) Term: **15 Years**

FOREIGN PATENT DOCUMENTS

(21) Appl. No.: **29/731,932**

KR 301104639.0000 * 4/2021

(22) Filed: **Apr. 20, 2020**

(51) **LOC (13) Cl.** **09-07**

(52) **U.S. Cl.**
USPC **D9/454; D9/447**

(58) **Field of Classification Search**
USPC D7/387, 391, 392, 392.1, 396.1, 396.2,
D7/397, 398, 401.1, 415; D9/434, 435,
D9/436, 439, 440, 447, 448, 453, 454,
D9/726, 695, 696, 707, 708, 712, 723,
D9/724, 727; D23/213, 226, 249, 255;
D24/111, 112, 119, 127, 130, 141, 169,
D24/193, 194, 196, 197, 199, 222, 224
CPC B65D 47/103; B65D 43/0222; B65D
2543/00046; B65D 2543/00092; B65D
25/48; B65D 83/206; B65D 83/22; B65D
83/48; A47G 19/2272; B65B 1/04

See application file for complete search history.

OTHER PUBLICATIONS

Flexible Closure for Spout Cap: Site Visited [May 13, 2021],
Available from Internet URL: https://www.silicone-cartridge.com/en/product/Flexible-Closures-capsFlexible-Caps-Spout-Caps-Spout-Cap-for-Oil-Tins/Flexible_Closures-42.html.*

(Continued)

Primary Examiner — Catherine S Posthauer
(74) *Attorney, Agent, or Firm* — Banner & Witcoff, Ltd.

(57) **CLAIM**

The ornamental design for a pouring spout, as shown and described.

DESCRIPTION

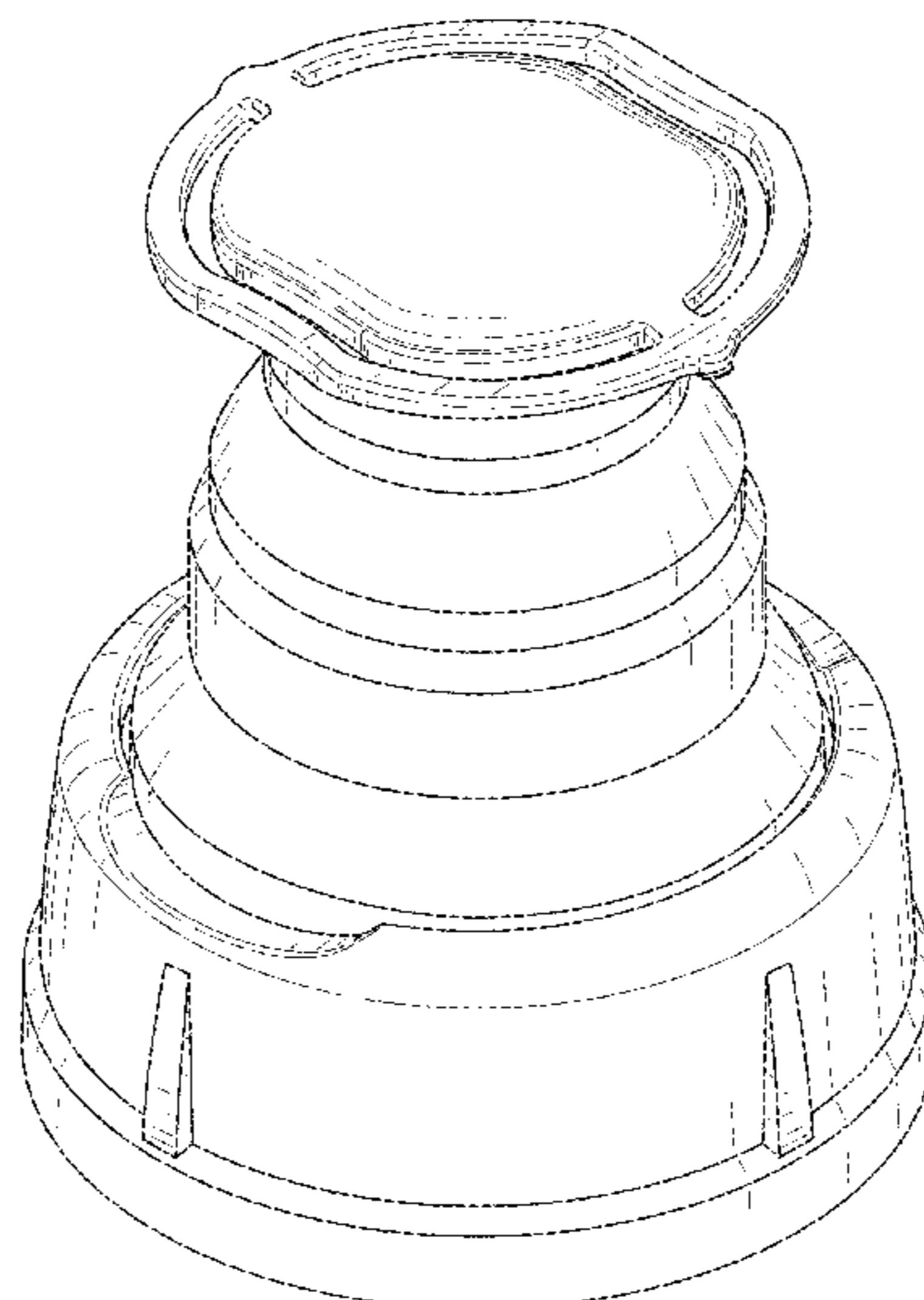
FIG. 1 is a top, front, right perspective view of the claimed design for a pouring spout;
FIG. 2 is a front view thereof;
FIG. 3 is a rear view thereof;
FIG. 4 is a left side view thereof;
FIG. 5 is a right side view thereof; and,
FIG. 6 is a top view thereof.
Portions of the pouring spout not shown in the drawing form no part of the claimed design.

1 Claim, 6 Drawing Sheets

(56) **References Cited**

U.S. PATENT DOCUMENTS

4,787,538 A * 11/1988 Fattori B65D 47/2025
222/511
D299,010 S * 12/1988 Wall D9/435
D377,145 S * 1/1997 Huser D9/447
D379,146 S * 5/1997 Zimmerhackel D9/448
D379,147 S * 5/1997 Zimmerhackel D9/448
D397,034 S * 8/1998 Zimmerhackel D9/448
D452,155 S * 12/2001 Stodd D9/434
D567,659 S * 4/2008 Gran D9/435



(56)

References Cited

U.S. PATENT DOCUMENTS

D733,490 S * 7/2015 Kent D7/392.1
D734,150 S * 7/2015 Rigel D9/440
D772,602 S * 11/2016 Indruk D6/542
D794,387 S * 8/2017 Sahleen D7/397
D830,122 S * 10/2018 Seiders D7/398
D872,528 S * 1/2020 Hsu D7/398
D899,851 S * 10/2020 Rittenburg D7/398
D904,113 S * 12/2020 Batie D7/396.2

OTHER PUBLICATIONS

Plastic Soupt Cap: Site Visited [May 13, 2021], Available from Internet URL: <https://uae.exportersindia.com/ank-gulf-packaging-materials-trading-llc/plastic-spout-caps-3668513.htm>.*

* cited by examiner

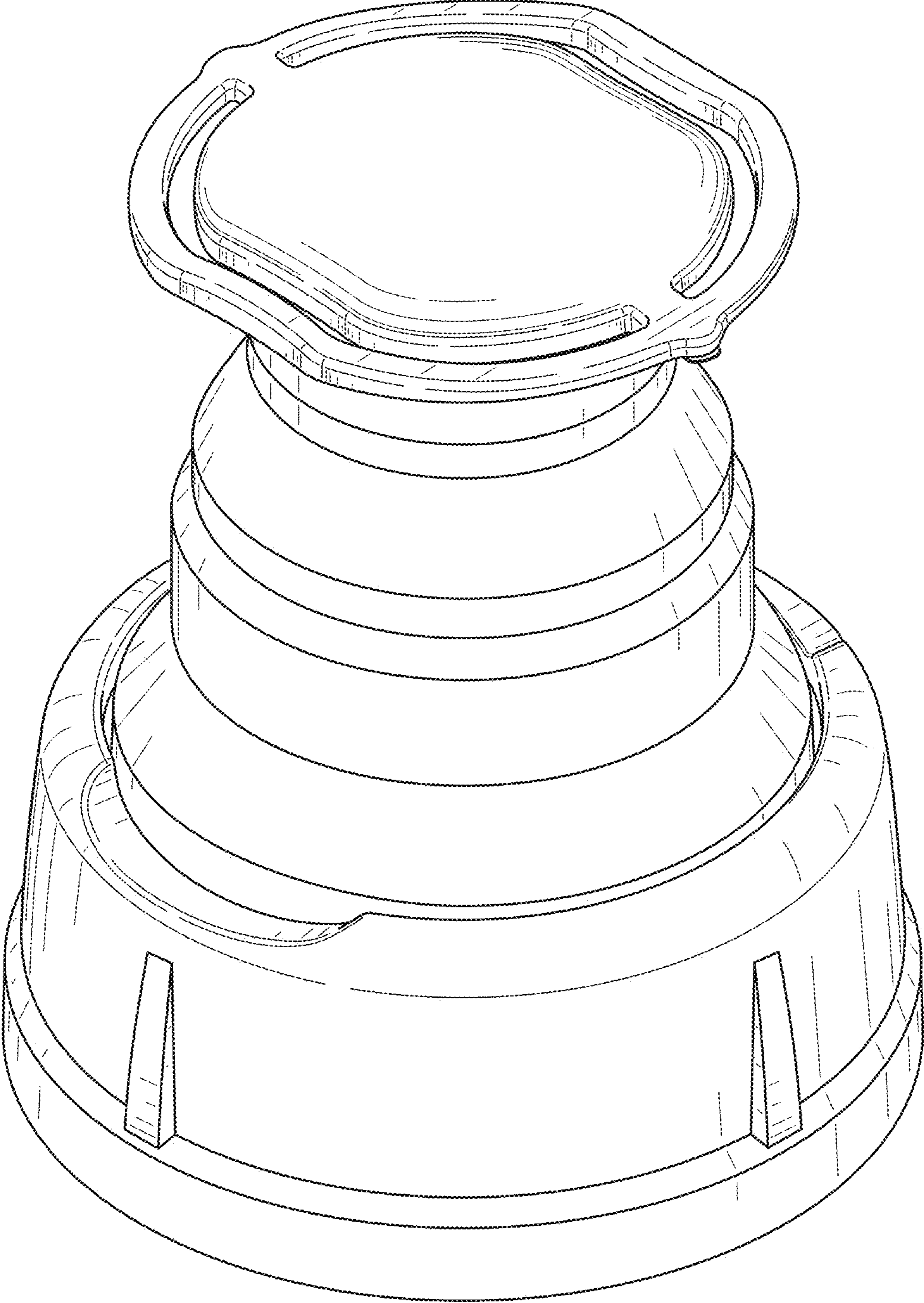


FIG. 1

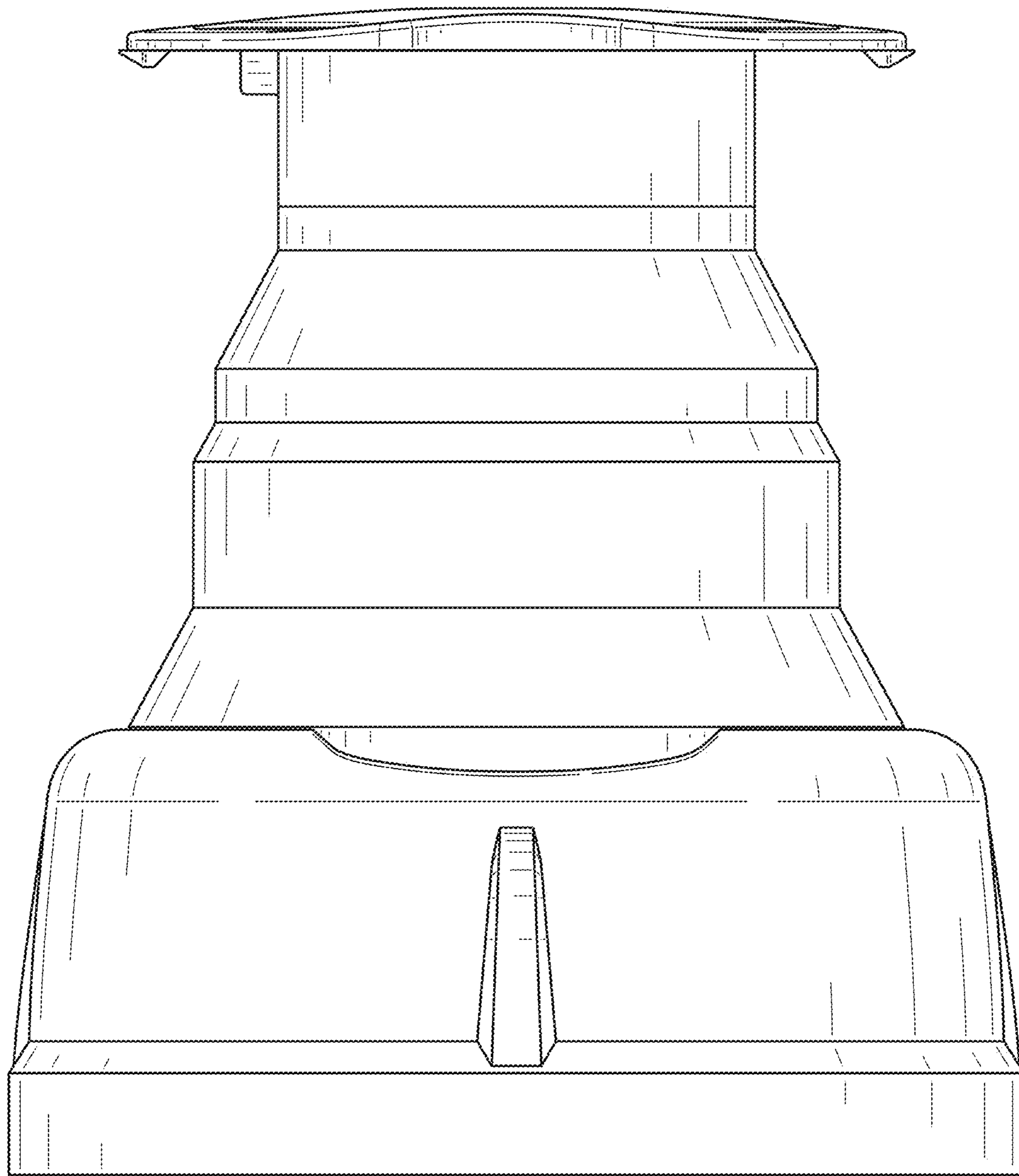


FIG. 2

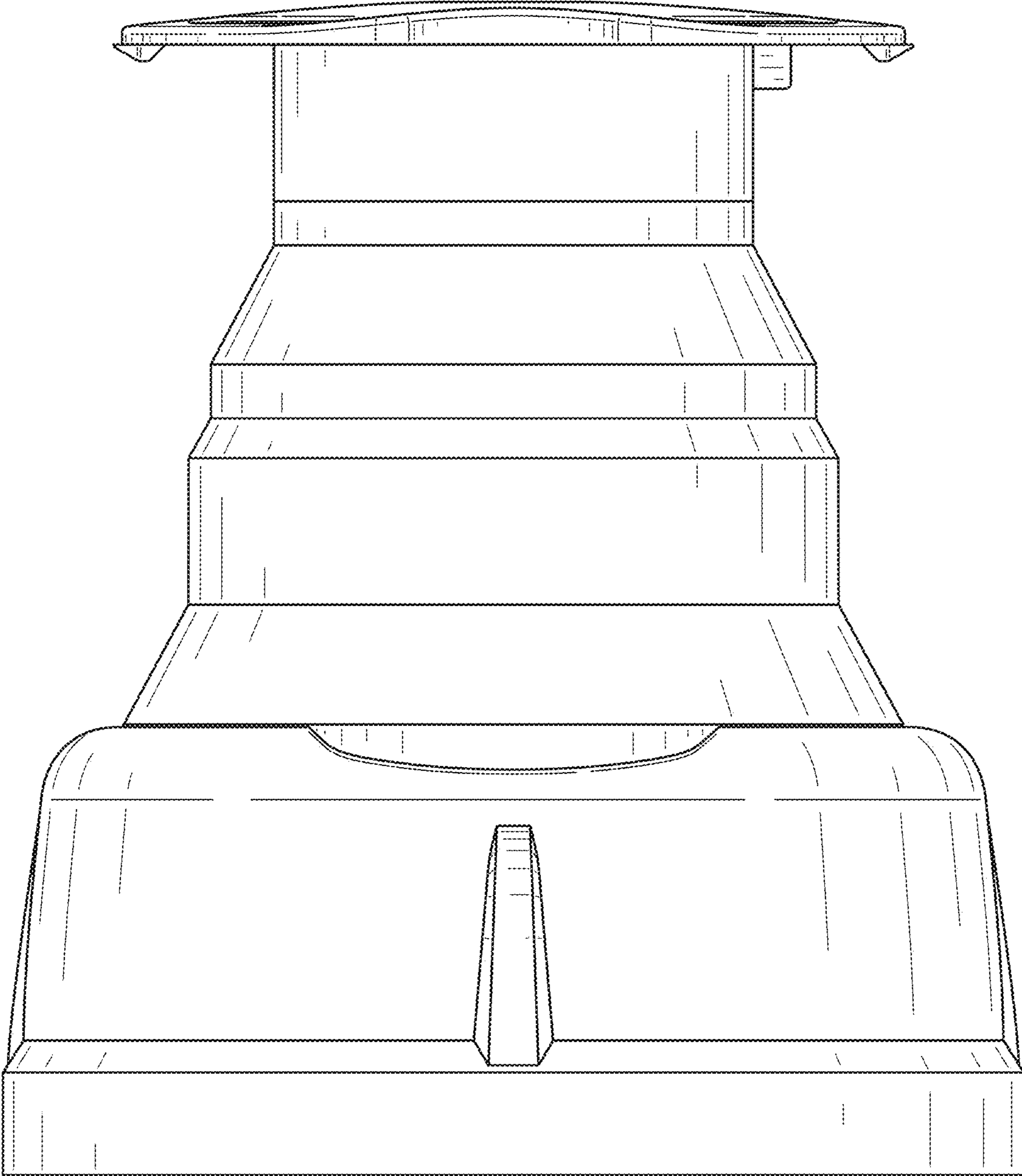


FIG. 3

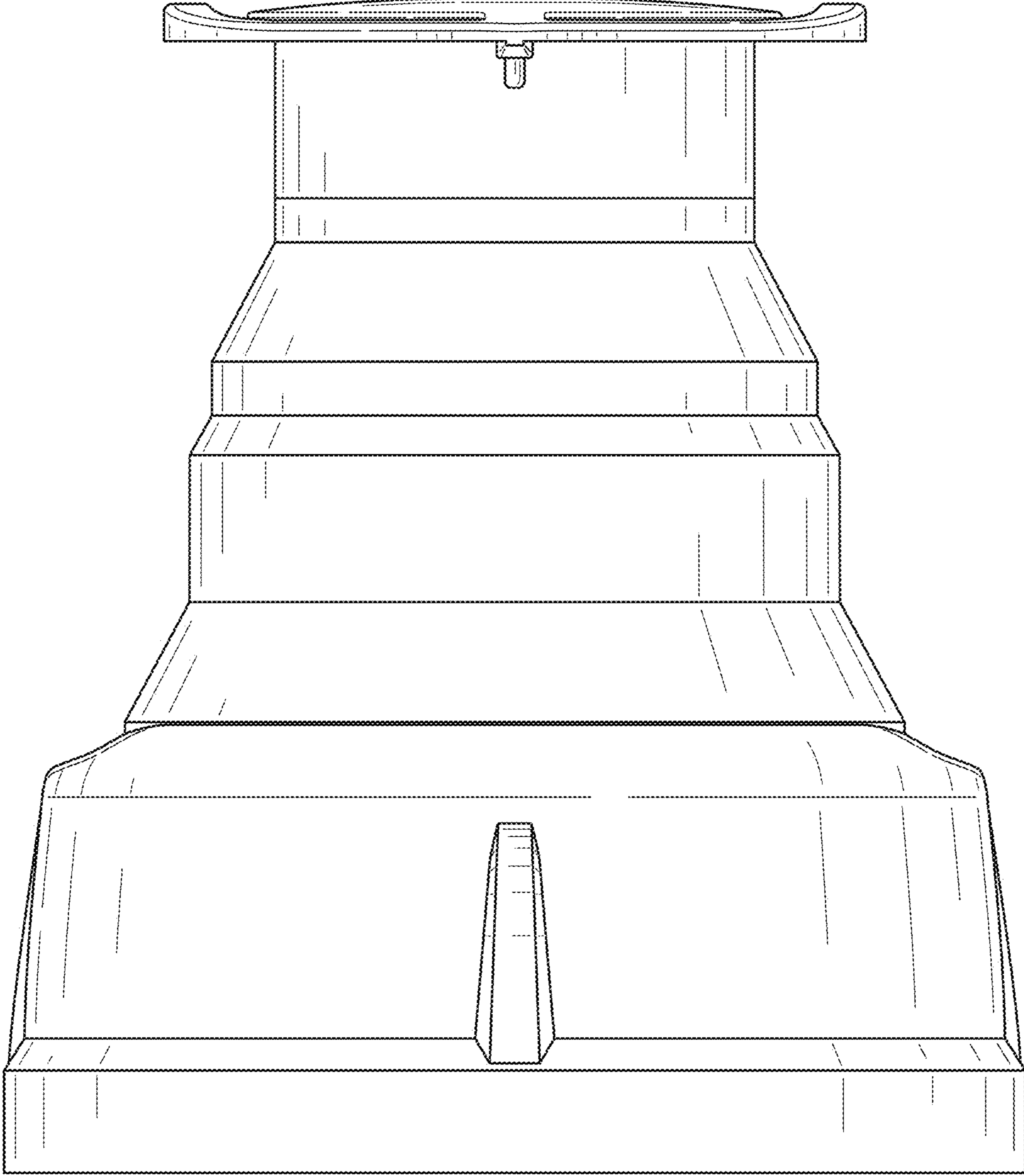


FIG. 4

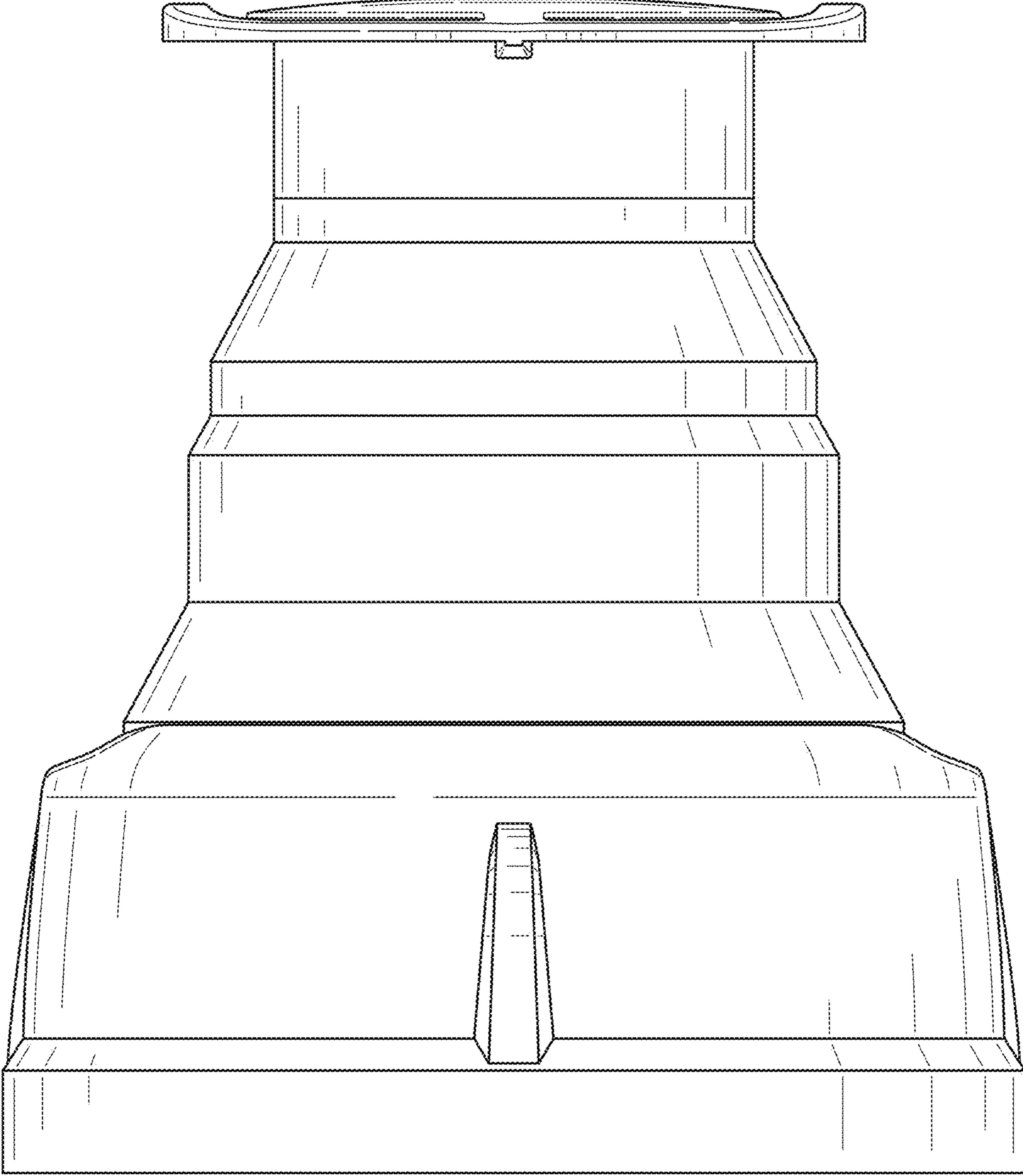


FIG. 5

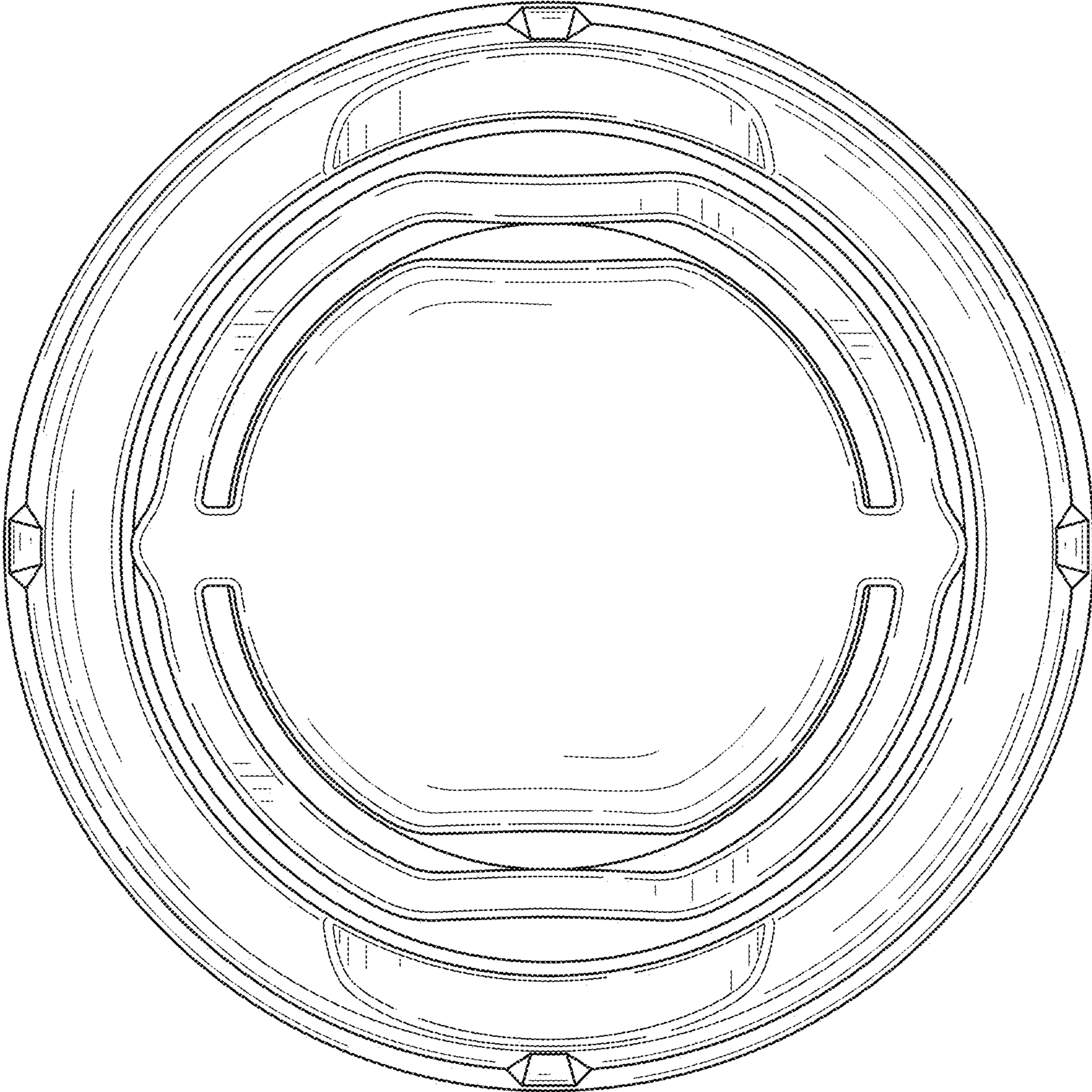


FIG. 6

UNITED STATES PATENT AND TRADEMARK OFFICE
CERTIFICATE OF CORRECTION

PATENT NO. : D936,477 S
APPLICATION NO. : 29/731932
DATED : November 23, 2021
INVENTOR(S) : Mark Kneepkens

Page 1 of 1

It is certified that error appears in the above-identified patent and that said Letters Patent is hereby corrected as shown below:

On the Title Page

The Foreign Application Priority Data, should be:

--(30) **Foreign Application Priority Data**

Oct. 25, 2019 (EM) 007121611-0004

Oct. 25, 2019 (EM) 007121611-0001

Oct. 25, 2019 (EM) 007121611-0002

Oct. 25, 2019 (EM) 007121611-0003--

Signed and Sealed this
Nineteenth Day of April, 2022
Katherine Kelly Vidal

Katherine Kelly Vidal
Director of the United States Patent and Trademark Office