

US00D936476S

(12) **United States Design Patent** (10) **Patent No.:** **US D936,476 S**
Sollie et al. (45) **Date of Patent:** **** Nov. 23, 2021**

(54) **BOX WITH FOLDABLE HANDLE**

FOREIGN PATENT DOCUMENTS

(71) Applicant: **Pratt Corrugated Holdings, Inc.**,
Conyers, GA (US)

EP 0053568 6/1982
JP H0538641 2/1993

(Continued)

(72) Inventors: **Greg Sollie**, Sharpsburg, GA (US);
Jamie Waltermire, Peachtree City, GA
(US); **Shifeng Chen**, Newport News,
VA (US)

OTHER PUBLICATIONS

Large BROWN Carrypack / Handled Food Box—Box Of 125.
Online, published date unknown. Retrieved on Feb. 12, 2021 from
URL: <https://www.cater4you.co.uk/acatalog/859-large-handled-food-box.html>.*

(Continued)

(73) Assignee: **Pratt Corrugated Holdings, Inc.**,
Conyers, GA (US)

Primary Examiner — Susan Bennett Hattan

Assistant Examiner — Omeed Agilee

(**) Term: **15 Years**

(74) *Attorney, Agent, or Firm* — Taylor English Duma
LLP

(21) Appl. No.: **29/699,253**

(22) Filed: **Jul. 24, 2019**

(51) **LOC (13) Cl.** **09-03**

(57) **CLAIM**

(52) **U.S. Cl.**

We claim the ornamental design for a box with foldable handle, as shown and described.

USPC **D9/433**; D9/432

(58) **Field of Classification Search**

DESCRIPTION

USPC D9/414–420, 421–433, 434, 442, 445,
D9/456, 542, 563, 600, 614–624, 707,
D9/708, 711, 754, 759; D3/273, 276,
D3/304, 309–313; D7/601, 602, 709

CPC B65D 5/00; B65D 5/001; B65D 5/0027;
B65D 5/0254; B65D 5/18; B65D 5/38;
B65D 5/40; B65D 5/2033; B65D

5/48024; B65D 5/6605; B65D 1/22;
B65D 1/24; B65D 1/34; B65D 5/46112;
B65B 5/06

See application file for complete search history.

FIG. 1 is a top plan view of a box with foldable handle in an unassembled configuration.

FIG. 2 is a front left perspective view of the box with foldable handle in an assembled configuration.

FIG. 3 is a front left perspective view thereof with a top end thereof open.

FIG. 4 is an enlarged detail thereof taken from area 4 of FIG. 1.

FIG. 5 is a right side elevation view of the box with foldable handle shown in FIG. 2, which is identical to a left side elevation view thereof.

FIG. 6 is a front elevation view thereof, which is identical to a rear elevation view thereof.

FIG. 7 is a top plan view thereof.

FIG. 8 is a bottom plan view thereof; and,

FIG. 9 is a front left perspective view thereof, wherein the handle is in a folded-down configuration.

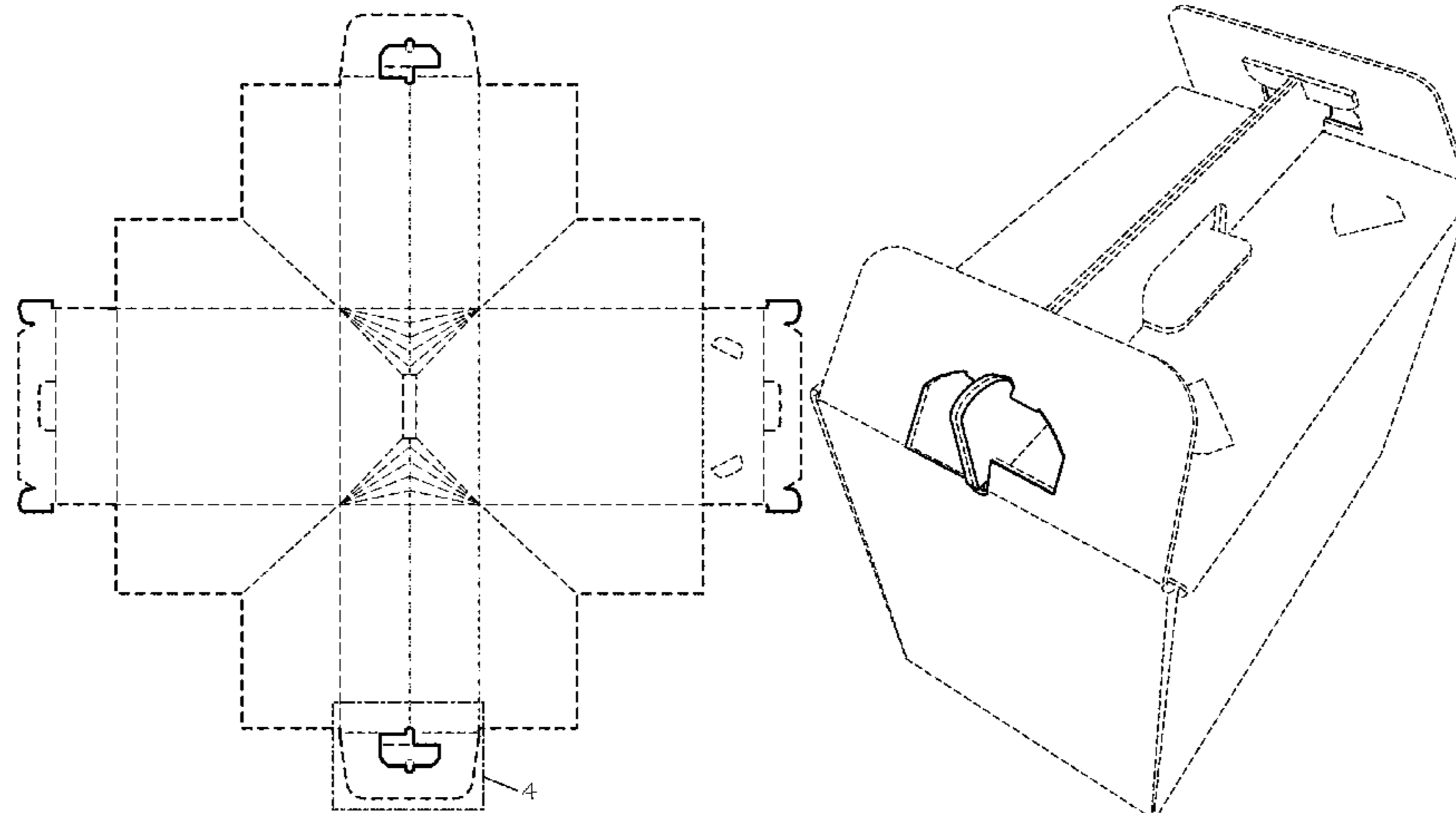
(Continued)

(56) **References Cited**

U.S. PATENT DOCUMENTS

2,007,810 A 7/1935 Oman et al.
2,008,443 A 7/1935 Froehlig

(Continued)



The broken lines, the areas within them, and the areas bounded by both broken lines and solid lines depict portions of the box with foldable handle that form no part of the claimed design.

1 Claim, 9 Drawing Sheets

(56)

References Cited

U.S. PATENT DOCUMENTS

| | | | | |
|-----------|-----|---------|--------------------|---------------------------|
| 2,147,503 | A | 2/1939 | Seifer et al. | |
| 2,151,472 | A * | 3/1939 | Hubbard | B65D 5/4608 229/120.36 |
| 2,269,013 | A | 1/1942 | Dorfman et al. | |
| 2,805,813 | A | 9/1957 | Rittmueller et al. | |
| 3,131,849 | A | 5/1964 | Paige | |
| 3,140,813 | A | 7/1964 | Hall et al. | |
| 3,193,176 | A | 7/1965 | Gullickson et al. | |
| 3,194,480 | A | 7/1965 | Maindron et al. | |
| 3,246,829 | A | 4/1966 | Sexton et al. | |
| 3,254,827 | A | 6/1966 | Chapman | |
| 3,465,948 | A | 9/1969 | Boyer | |
| 3,780,934 | A | 12/1973 | Gardner | |
| 4,119,265 | A | 10/1978 | Dlugopolski | |
| 4,171,763 | A | 10/1979 | Card | |
| 4,176,423 | A | 12/1979 | Wigemark | |
| 4,238,069 | A | 12/1980 | Morris, Jr. | |
| 4,328,923 | A | 5/1982 | Graser | |
| 4,403,728 | A | 9/1983 | Koltz | |
| 4,465,227 | A | 8/1984 | Hood et al. | |
| 4,678,079 | A * | 7/1987 | Henning | B65D 85/18 206/279 |
| 4,687,130 | A | 8/1987 | Beeler | |
| 4,784,497 | A | 11/1988 | Dutton | |
| 5,018,663 | A | 5/1991 | Corso | |
| 5,020,337 | A | 6/1991 | Kreig | |
| 5,042,715 | A | 8/1991 | McNeil | |
| 5,050,766 | A | 9/1991 | Groh | |
| 5,062,527 | A | 11/1991 | Westerman | |
| 5,074,460 | A | 12/1991 | Hanekamp | |
| 5,094,359 | A | 3/1992 | Demars et al. | |
| 5,263,339 | A | 11/1993 | Evans | |
| 5,284,294 | A | 2/1994 | Floyd | |
| 5,303,863 | A | 4/1994 | Arasim | |
| 5,307,986 | A | 5/1994 | Schuster | |
| 5,392,984 | A | 2/1995 | Yocum | |
| 2,714,982 | A | 8/1995 | Strauss et al. | |
| 5,562,228 | A | 10/1996 | Ericson | |
| 5,853,121 | A | 12/1998 | Francisco | |
| 6,164,526 | A | 12/2000 | Dalvey | |
| 6,253,993 | B1 | 7/2001 | Lloyd et al. | |
| 6,736,309 | B1 | 5/2004 | Westerman et al. | |

| | | | | |
|--------------|------|---------|-------------------|---------------------------|
| 6,837,420 | B2 | 1/2005 | Westerman et al. | |
| D674,690 | S * | 1/2013 | Sill | D9/431 |
| D675,520 | S * | 2/2013 | Sill | D9/431 |
| D688,939 | S * | 9/2013 | Pearson | D9/431 |
| D693,676 | S * | 11/2013 | Pearson | D9/431 |
| D693,677 | S * | 11/2013 | Pearson | D9/431 |
| 8,627,999 | B2 | 1/2014 | Wolf et al. | |
| D720,989 | S * | 1/2015 | Genender | D9/433 |
| D736,619 | S * | 8/2015 | Parkes | D9/433 |
| D742,738 | S * | 11/2015 | Kim | D9/433 |
| D742,739 | S * | 11/2015 | Kim | D9/433 |
| D760,446 | S * | 6/2016 | Katers | D30/109 |
| D773,294 | S * | 12/2016 | Choi | D9/433 |
| D834,411 | S * | 11/2018 | Vanderhulst | D9/432 |
| D845,760 | S * | 4/2019 | Oliveira | D9/432 |
| 11,053,048 | B2 | 7/2021 | Sollie et al. | |
| 2004/0031842 | A1 | 2/2004 | Westerman et al. | |
| 2011/0253774 | A1 * | 10/2011 | Hill | B65D 5/46112 229/117.3 |
| 2016/0039559 | A1 | 2/2016 | Williams | |
| 2016/0264340 | A1 * | 9/2016 | Tu | B65D 5/5038 |
| 2019/0016500 | A1 * | 1/2019 | Oliveira | B65D 5/0015 |
| 2019/0185247 | A1 | 6/2019 | Sollie et al. | |
| 2020/0115131 | A1 * | 4/2020 | Adams | B65D 77/067 |
| 2021/0024247 | A1 | 1/2021 | Sollie et al. | |
| 2021/0292042 | A1 | 9/2021 | Sollie et al. | |

FOREIGN PATENT DOCUMENTS

| | | |
|----|-------------|---------|
| JP | H05338641 | 12/1993 |
| KR | 100408200 | 12/2003 |
| KR | 20110093662 | 8/2011 |
| KR | 20140001976 | 4/2014 |
| KR | 20180041020 | 4/2018 |
| WO | 8103478 | 12/1981 |

OTHER PUBLICATIONS

Westerman, Frank E.; Notice of Allowance for U.S. Appl. No. 10/295,171, filed Nov. 15, 2002, dated Mar. 8, 2004, 4 pgs.

Westerman, Frank E.; Notice of Allowance for U.S. Appl. No. 10/642,536, filed Aug. 18, 2003, dated Oct. 4, 2004, 9 pgs.

Westerman, Frank E.; Non-Final Office Action for U.S. Appl. No. 10/295,171, filed Nov. 15, 2002, dated Oct. 7, 2003, 7 pgs.

Sollie, Greg; Non-Final Office Action for U.S. Appl. No. 16/520,548, filed Jul. 24, 2019, dated Nov. 13, 2020, 17 pgs.

Sollie, Greg; Corrected Notice of Allowance for U.S. Appl. No. 16/520,548, filed Jul. 24, 2019, dated Apr. 13, 2021, 2 pgs.

Sollie, Greg; Corrected Notice of Allowance for U.S. Appl. No. 16/520,548, filed Jul. 24, 2019, dated Jun. 8, 2021, 8 pgs.

Sollie, Greg; Notice of Allowance for U.S. Appl. No. 16/520,548, filed Jul. 24, 2019, dated Mar. 31, 2021, 5 pgs.

* cited by examiner

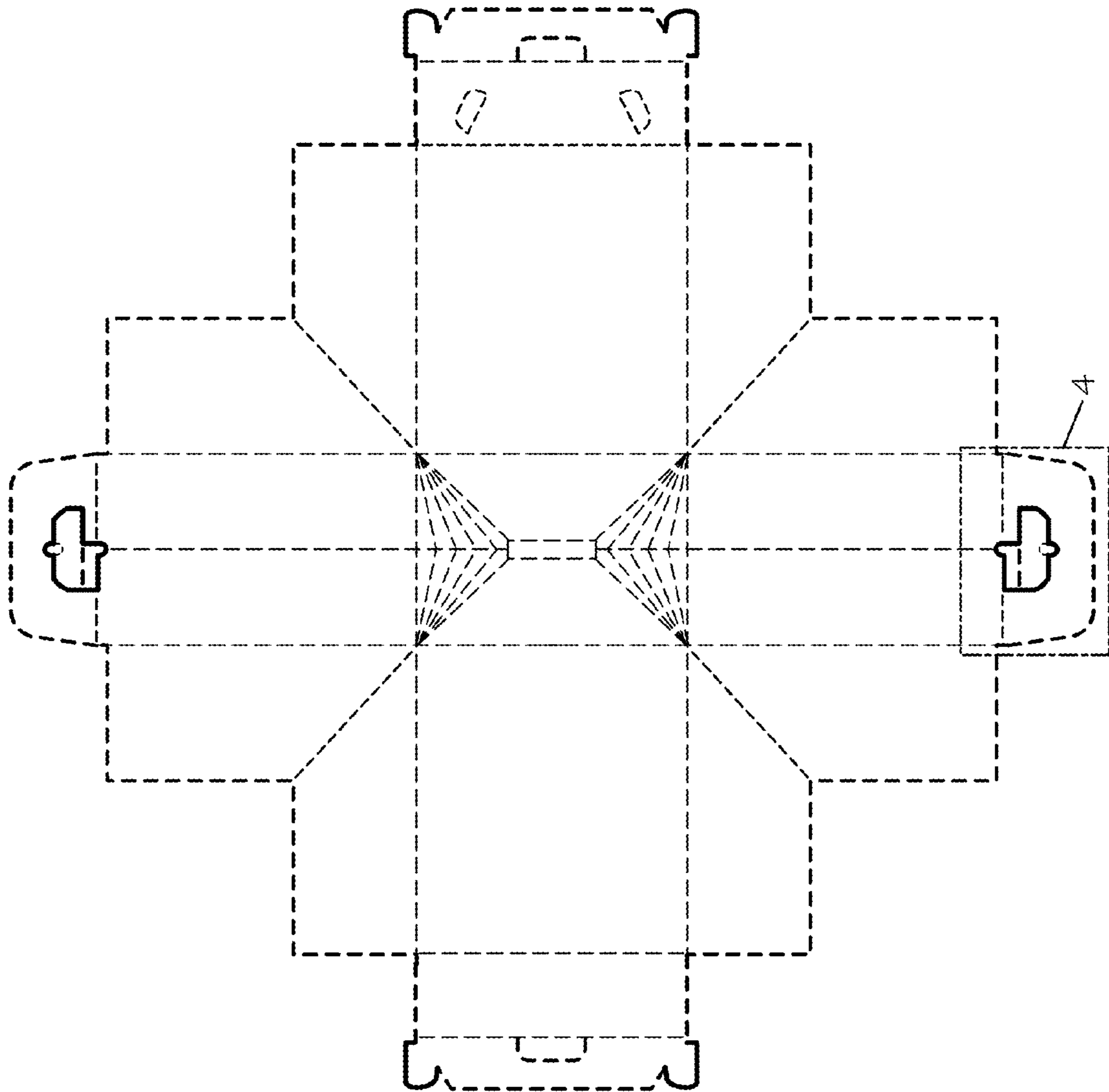


FIG. 1

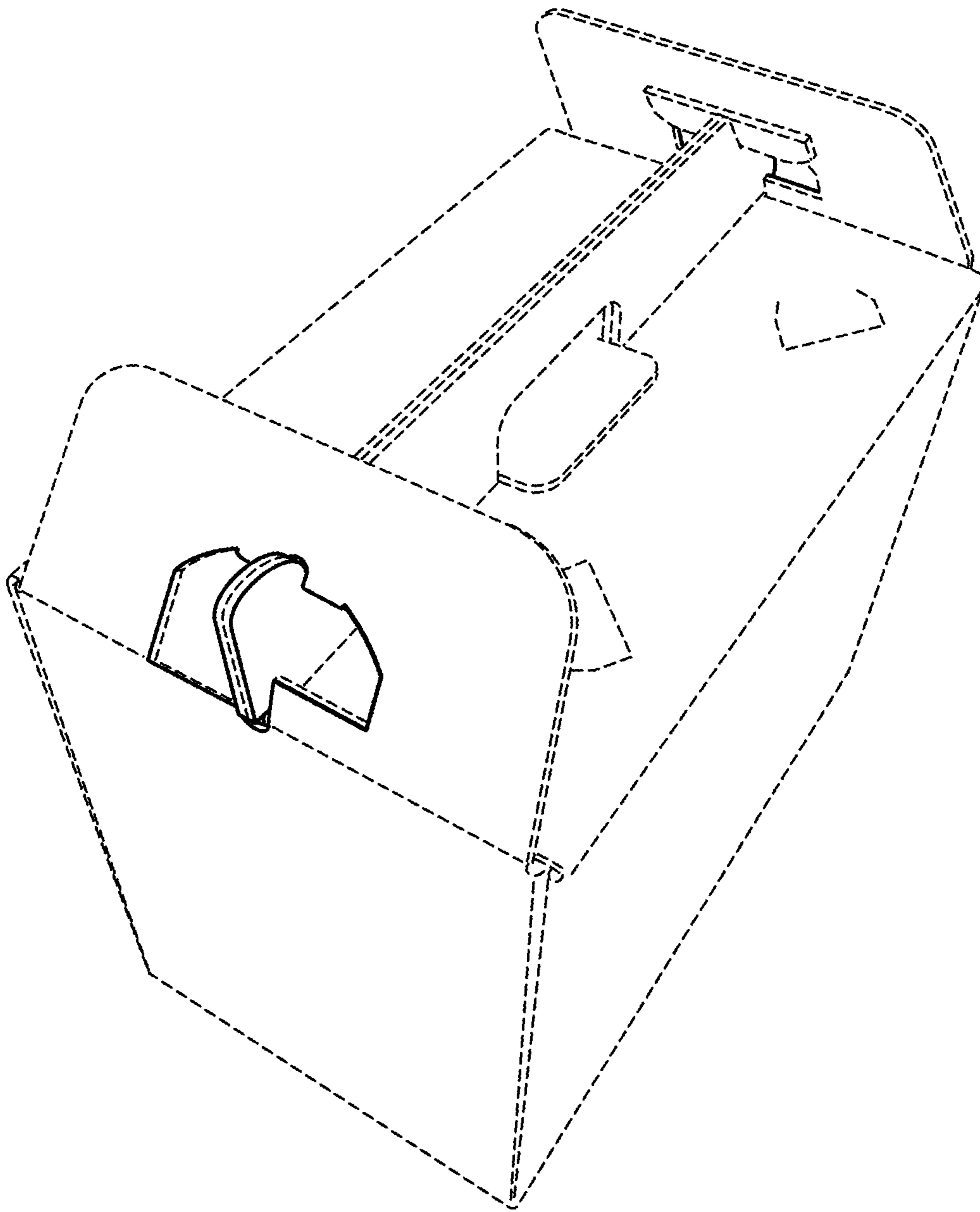


FIG. 2

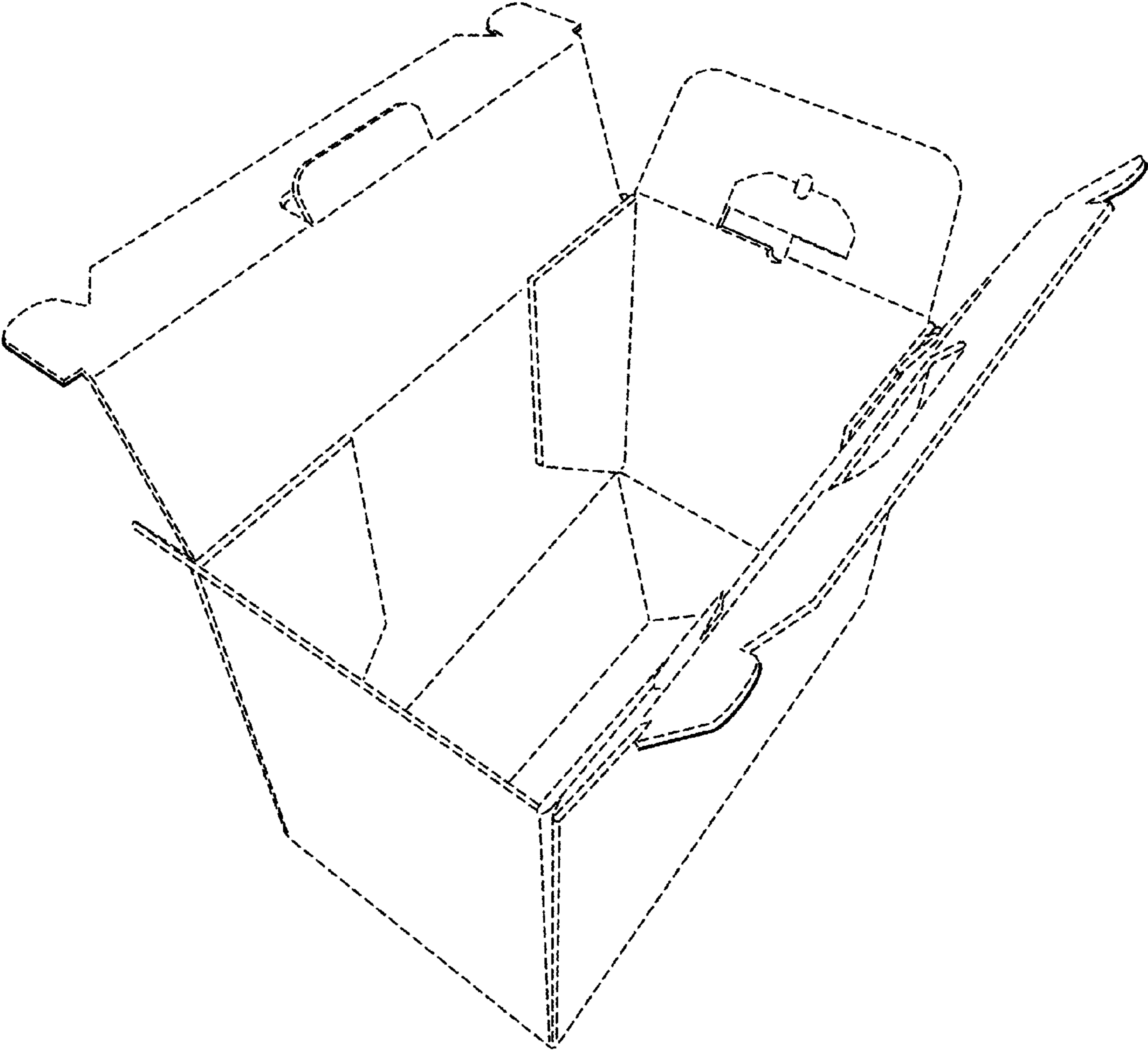


FIG. 3

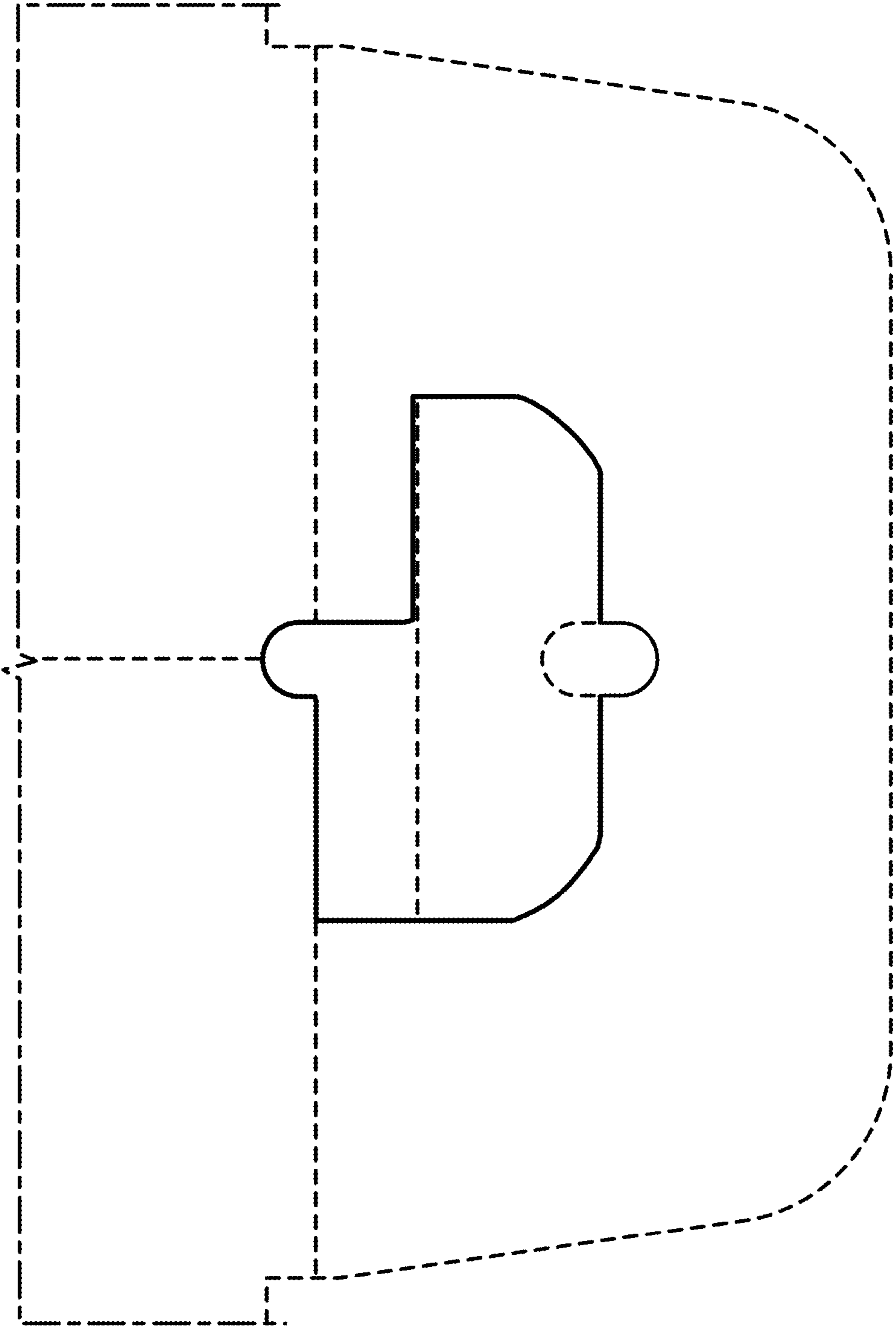


FIG. 4

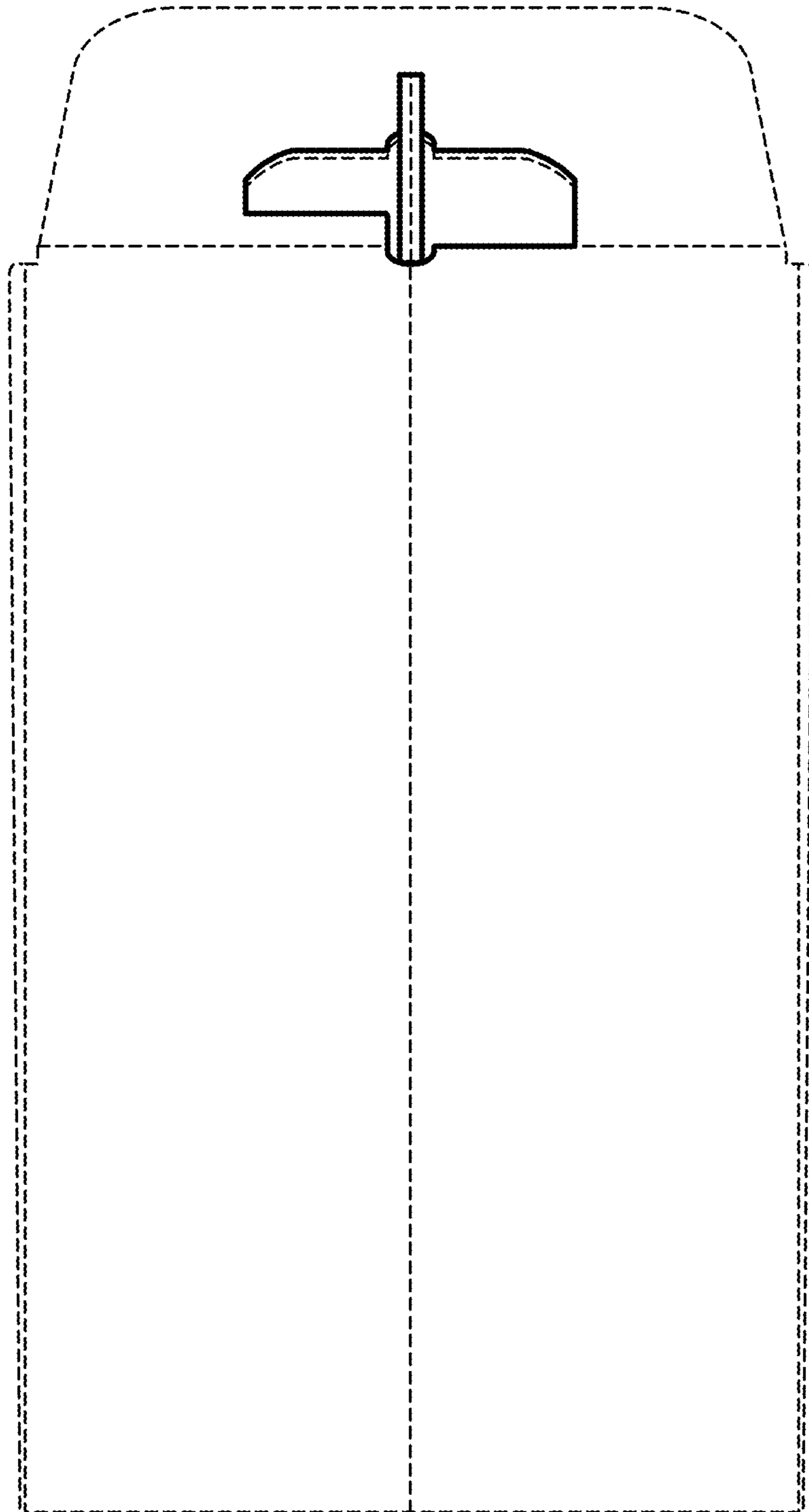


FIG. 5

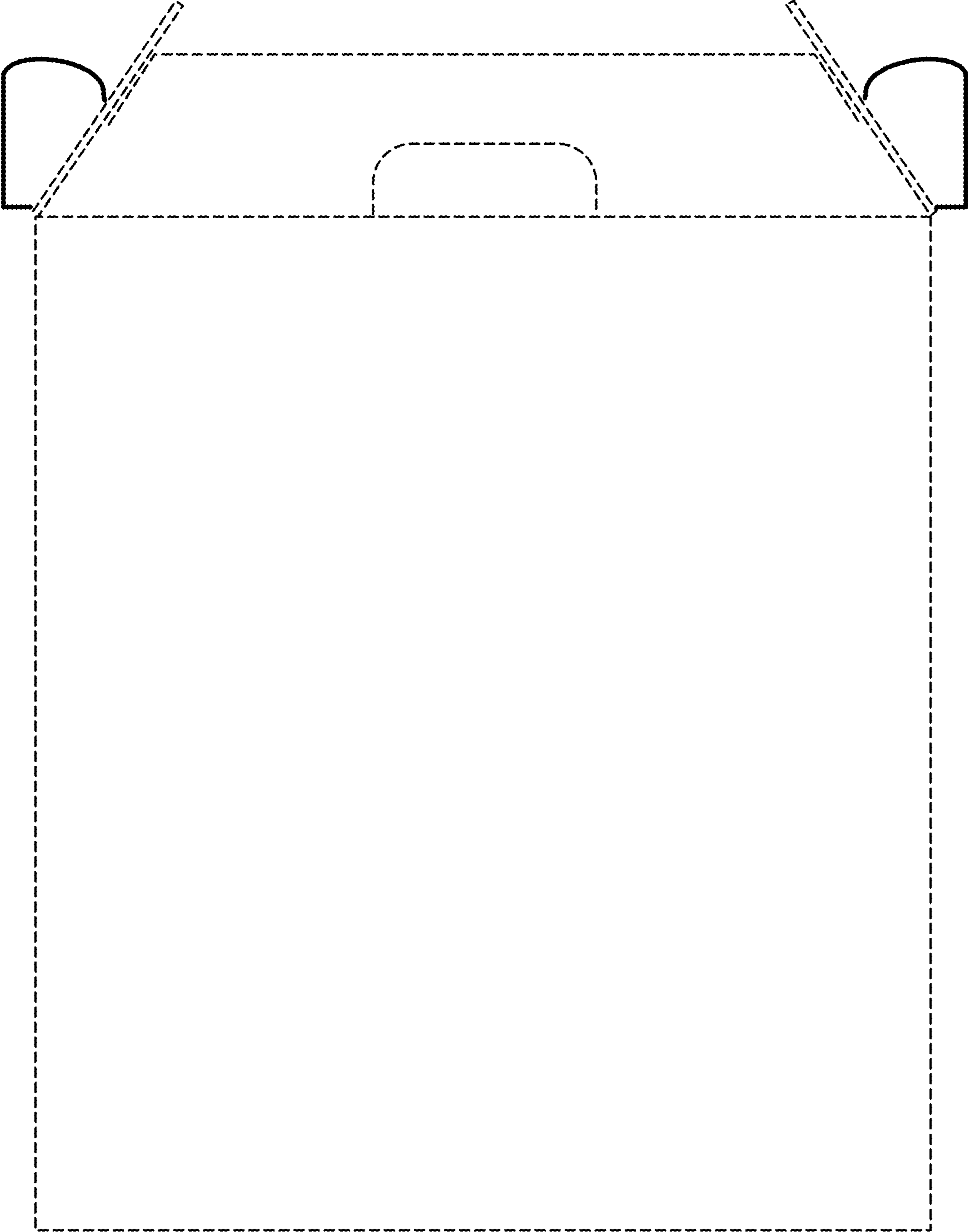


FIG. 6

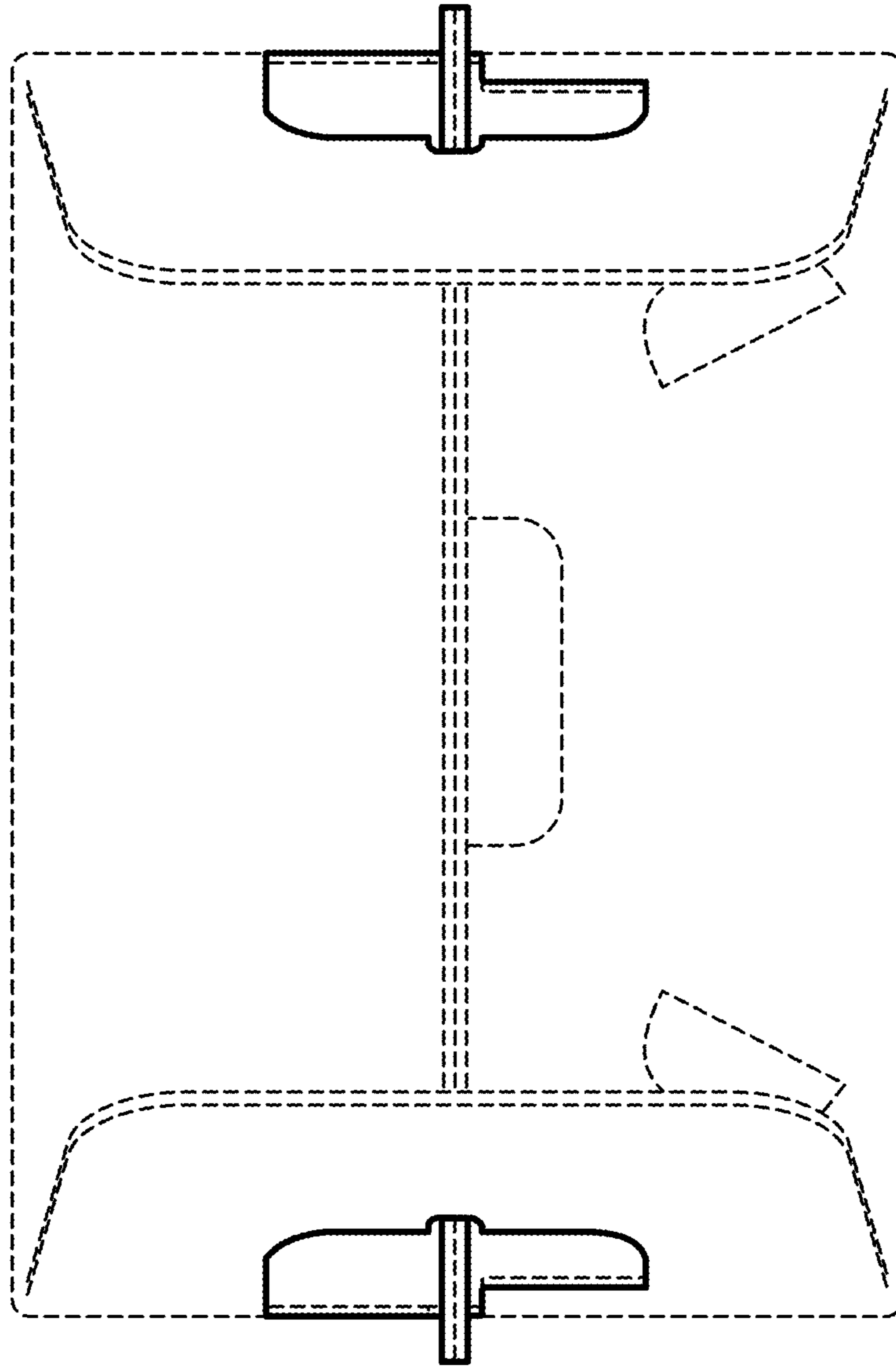


FIG. 7

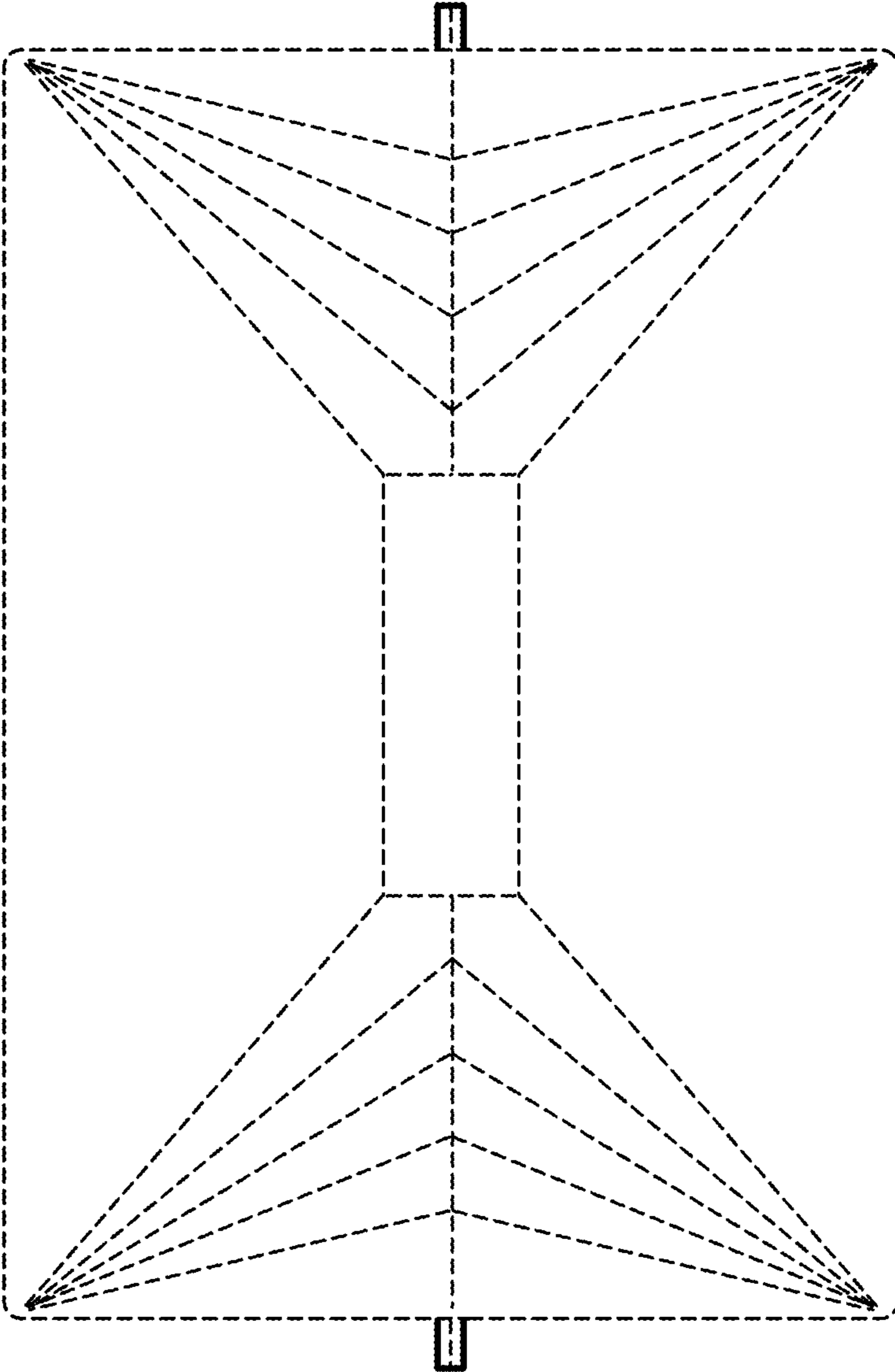


FIG. 8

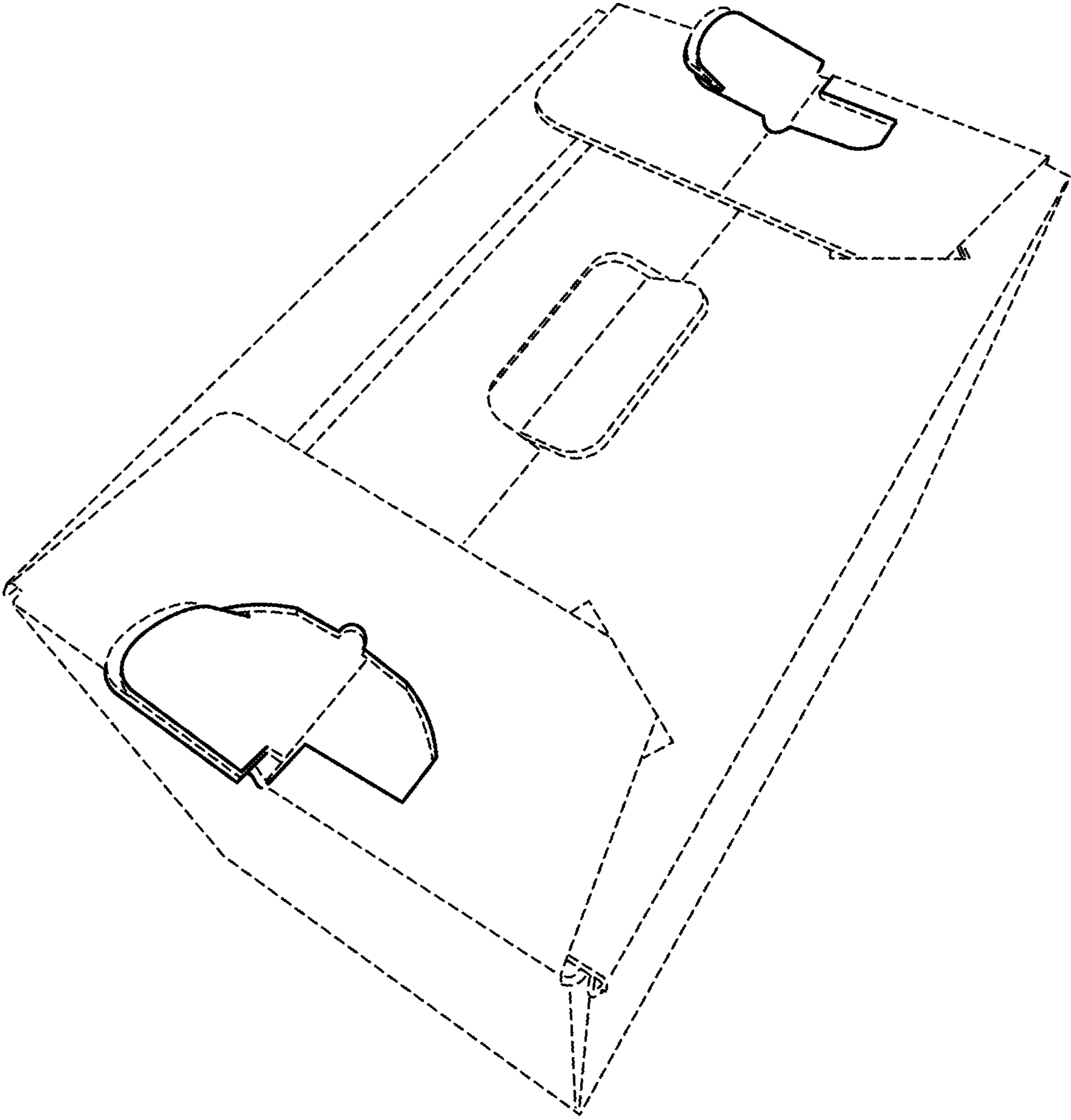


FIG. 9