

US00D936475S

(12) **United States Design Patent** (10) **Patent No.:** **US D936,475 S**
Kahawaiolaa (45) **Date of Patent:** **** Nov. 23, 2021**

(54) **CIGARETTE PACKAGE**
(71) Applicant: **Maui Kahawaiolaa**, Kaneohe, HI (US)
(72) Inventor: **Maui Kahawaiolaa**, Kaneohe, HI (US)
(**) Term: **15 Years**
(21) Appl. No.: **29/718,944**
(22) Filed: **Dec. 30, 2019**
(51) **LOC (13) Cl.** **09-03**
(52) **U.S. Cl.**
USPC **D9/420**
(58) **Field of Classification Search**
USPC D9/420, 432, 423, 414; D27/101, 189,
D27/186
CPC B65D 85/1048; B65D 75/5838; B65D
85/10484; B65D 85/1045; B65D 49/02;
B65D 5/662; B65D 5/5425
See application file for complete search history.

(56) **References Cited**

U.S. PATENT DOCUMENTS

4,300,676 A * 11/1981 Focke B65D 75/5838
206/264
D355,275 S * 2/1995 Focke D27/186
D393,924 S * 4/1998 Wright D27/189
D575,636 S * 8/2008 Krautter D9/420
D594,322 S * 6/2009 Blick D9/423
D594,596 S * 6/2009 Mitten D27/189
D618,544 S * 6/2010 Collins D9/420
D618,545 S * 6/2010 Toinet D9/423
D627,634 S * 11/2010 Chung D9/423
8,365,978 B2 2/2013 Yoshimura
D698,642 S * 2/2014 Tawada D9/423
D736,456 S * 8/2015 Liu D27/189
D748,466 S * 2/2016 Martin D9/420
D775,944 S * 1/2017 Marchitto B65D 85/1048
D9/414
D789,782 S * 6/2017 Kahawaiolaa D9/414
D821,866 S * 7/2018 Scotti D9/420
D863,953 S * 10/2019 Schnakenberg D9/423

D877,972 S * 3/2020 Kahawaiolaa D27/101
D882,394 S * 4/2020 Griffin D9/420
D909,865 S * 2/2021 Yeung D9/432
2006/0091026 A1 * 5/2006 Mitten B65D 85/1045
206/273
2011/0068155 A1 * 3/2011 Yoshimura B65D 5/5425
229/117.27
2014/0151251 A1 * 6/2014 Lena B65D 5/662
206/268
2016/0368645 A1 * 12/2016 Buse B65B 49/02
(Continued)

OTHER PUBLICATIONS

“Custom cigarette boxes” reference dated Sep. 27, 2021 found by RMS on the internet at: <https://www.urgentpackagings.com/cigarette-boxes>.*

(Continued)

Primary Examiner — Rhea Shields
(74) *Attorney, Agent, or Firm* — Ross Brandborg

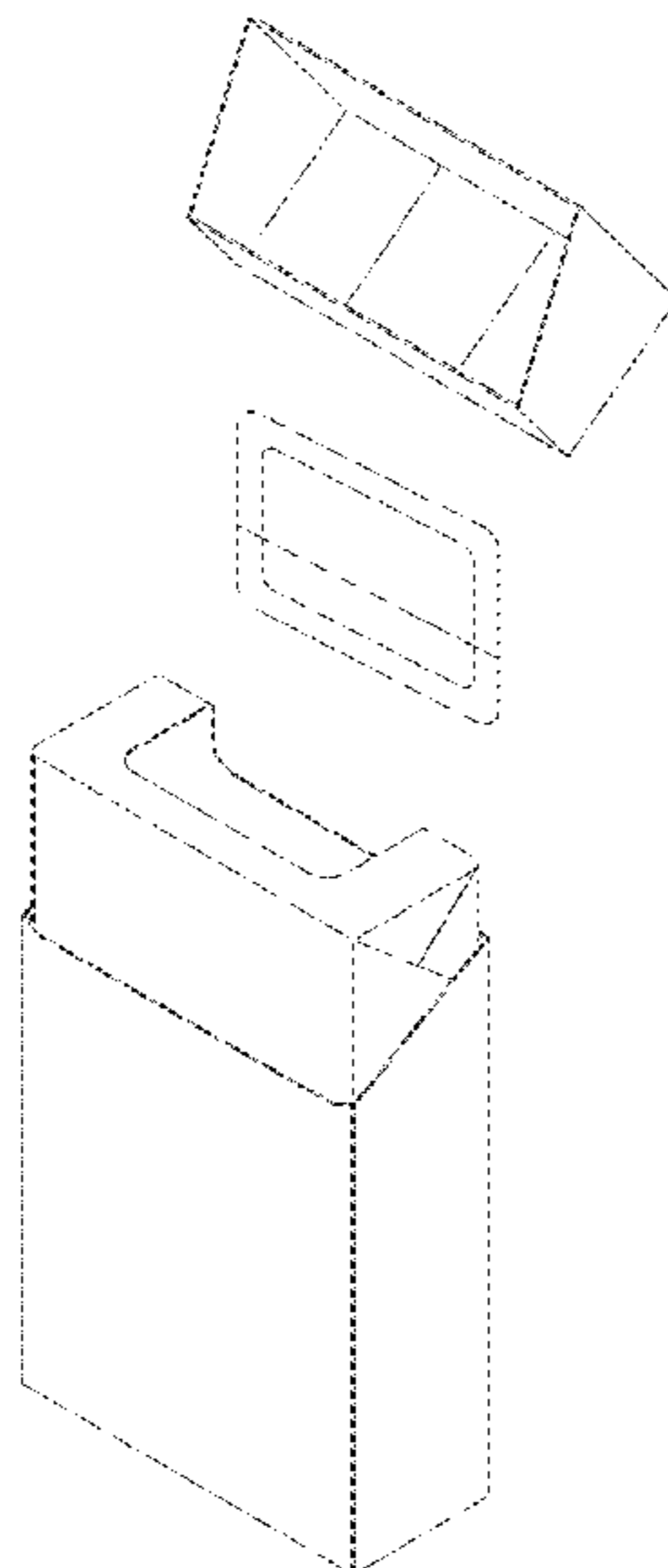
(57) **CLAIM**

I claim the ornamental design for a cigarette package, as shown and described.

DESCRIPTION

FIG. 1 shows a perspective view of the cigarette package, showing my new design;
FIG. 2 shows an expanded perspective view thereof;
FIG. 3 shows a left side view thereof;
FIG. 4 shows a top view thereof with the cover open;
FIG. 5 shows a front view thereof;
FIG. 6 shows a bottom view thereof;
FIG. 7 shows a right side view thereof; and,
FIG. 8 shows a back view thereof.
In the drawings the broken lines are for the purpose of illustrating portions of the cigarette package that form no part of the claimed design.

1 Claim, 8 Drawing Sheets



(56)

References Cited

U.S. PATENT DOCUMENTS

2017/0001790 A1 1/2017 Kahawaiolaa
2017/0088341 A1* 3/2017 Fallon B65D 85/1045
2017/0107047 A1* 4/2017 Ruthemeier B65D 85/10484

OTHER PUBLICATIONS

“Wholesale cigarette boxes” reference dated Sep. 27, 2021 found by RMS on the internet at: <https://www.pinterest.com/pin/87538786495106851/>.*

“Cassette tapes . . .” reference dated Sep. 27, 2021 found by RMS on the internet at: <https://www.bandcads.co.uk/cassettes/cassette-tapes-in-cigarette-style-cases/>.*

“Cigarette box template . . .” reference dated Sep. 27, 2021 found by RMS on the internet at: <https://www.etsy.com/listing/916633388/cigarette-box-template-cigarette-pack>.*

“Hard box full . . .” reference dated Sep. 27, 2021 found by RMS on the internet at: <https://www.amazon.com/Hard-Full-Cigarette-Assorted-Colors/dp/B00478LXUW>.*

* cited by examiner

Fig. 1

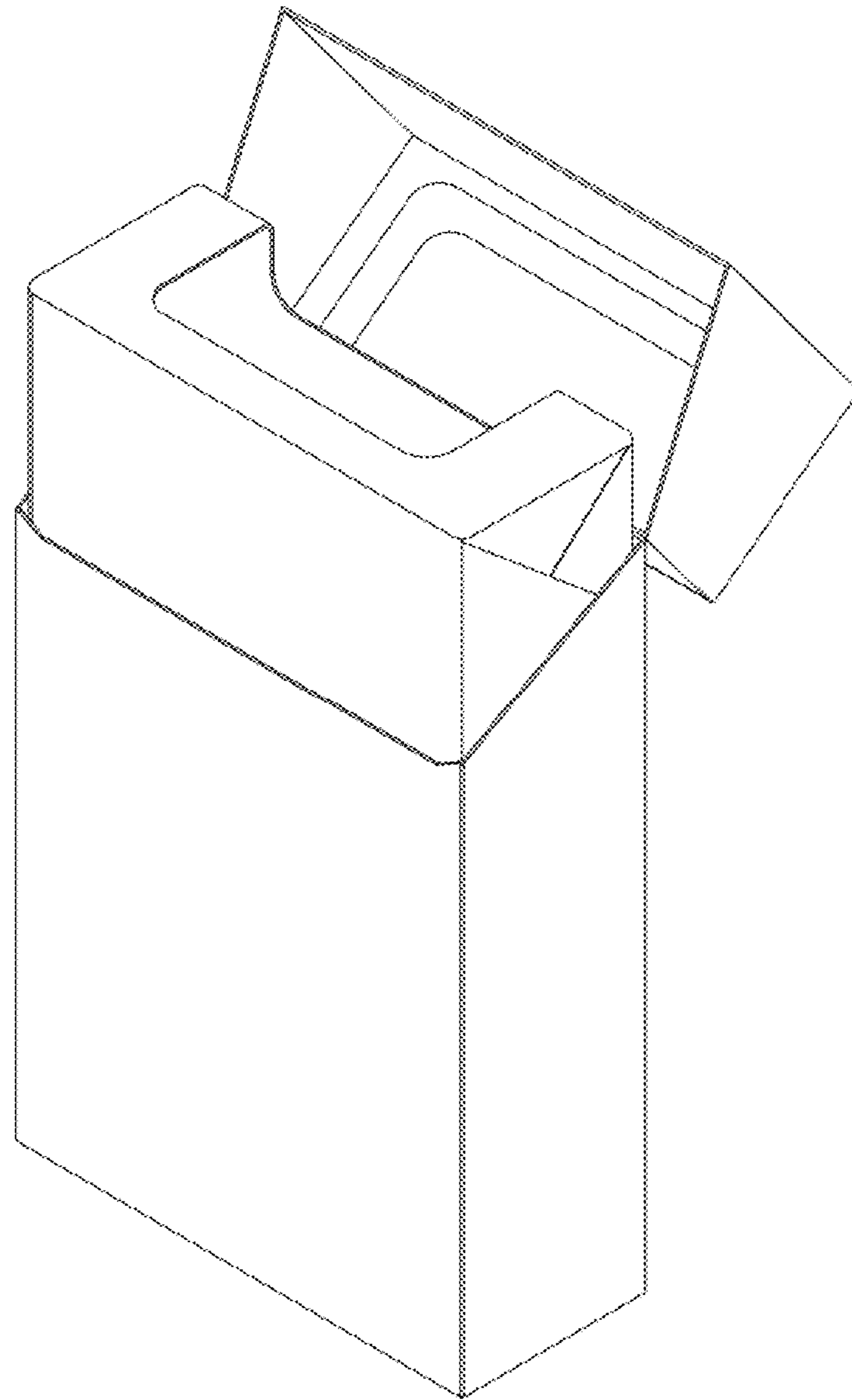


Fig. 2

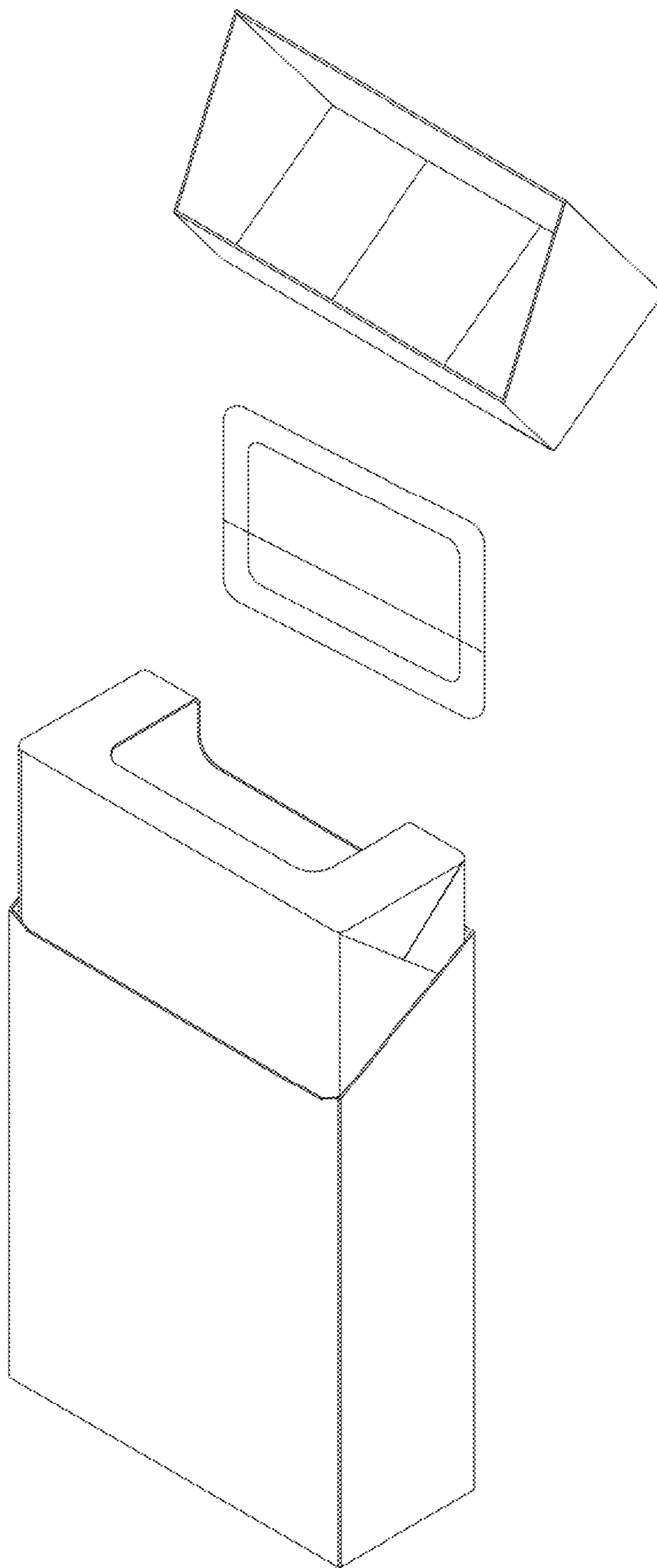


Fig. 3

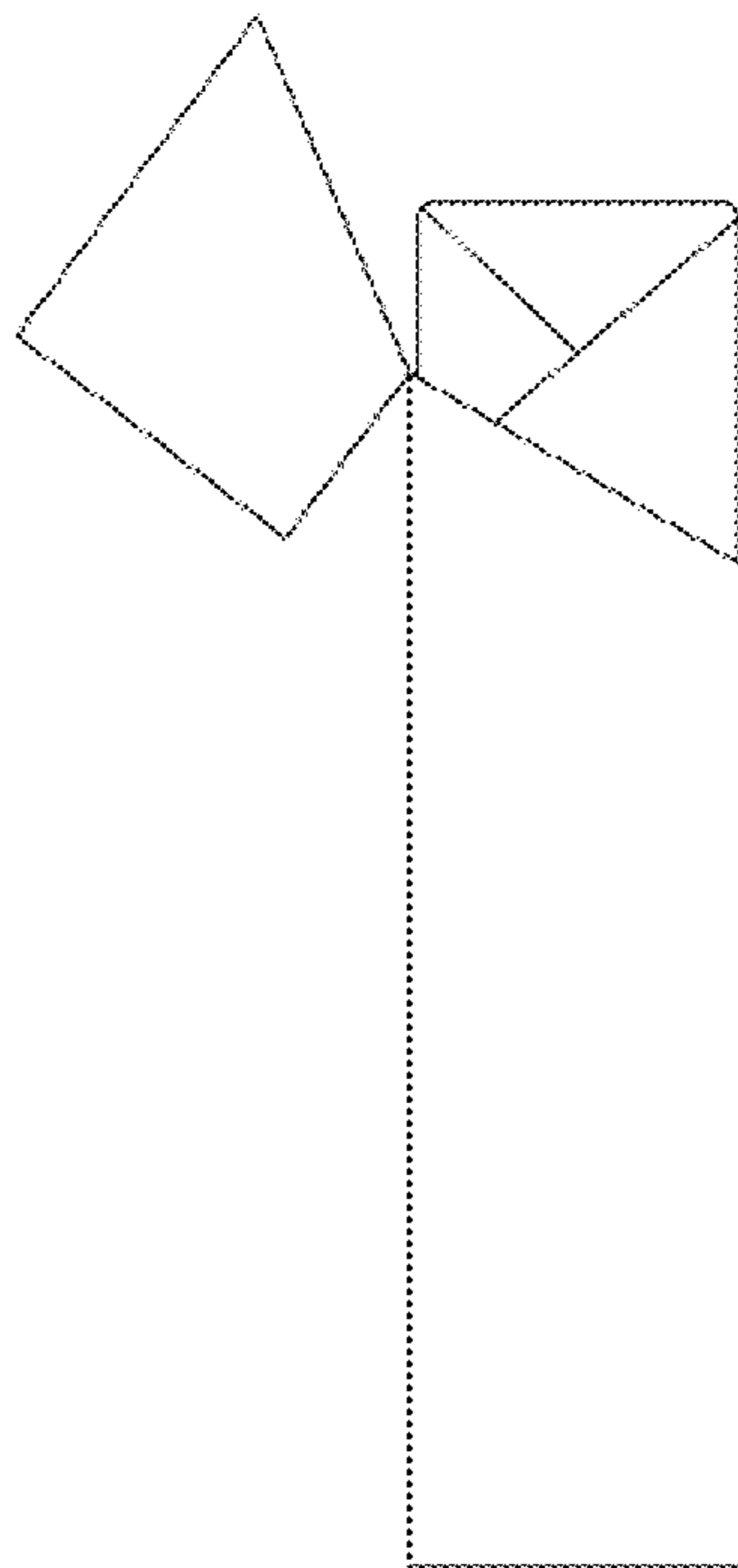


Fig. 4

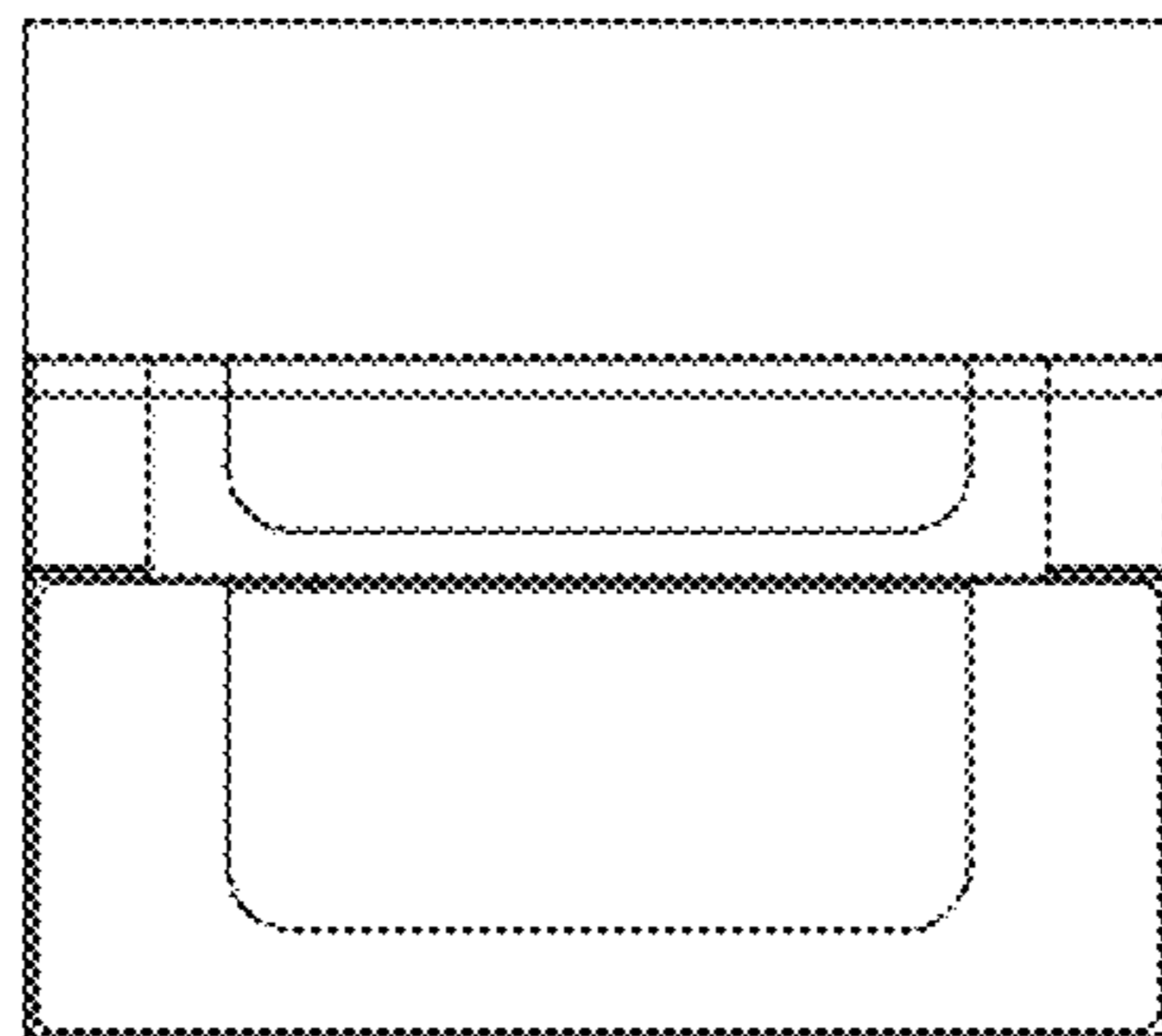


Fig. 5

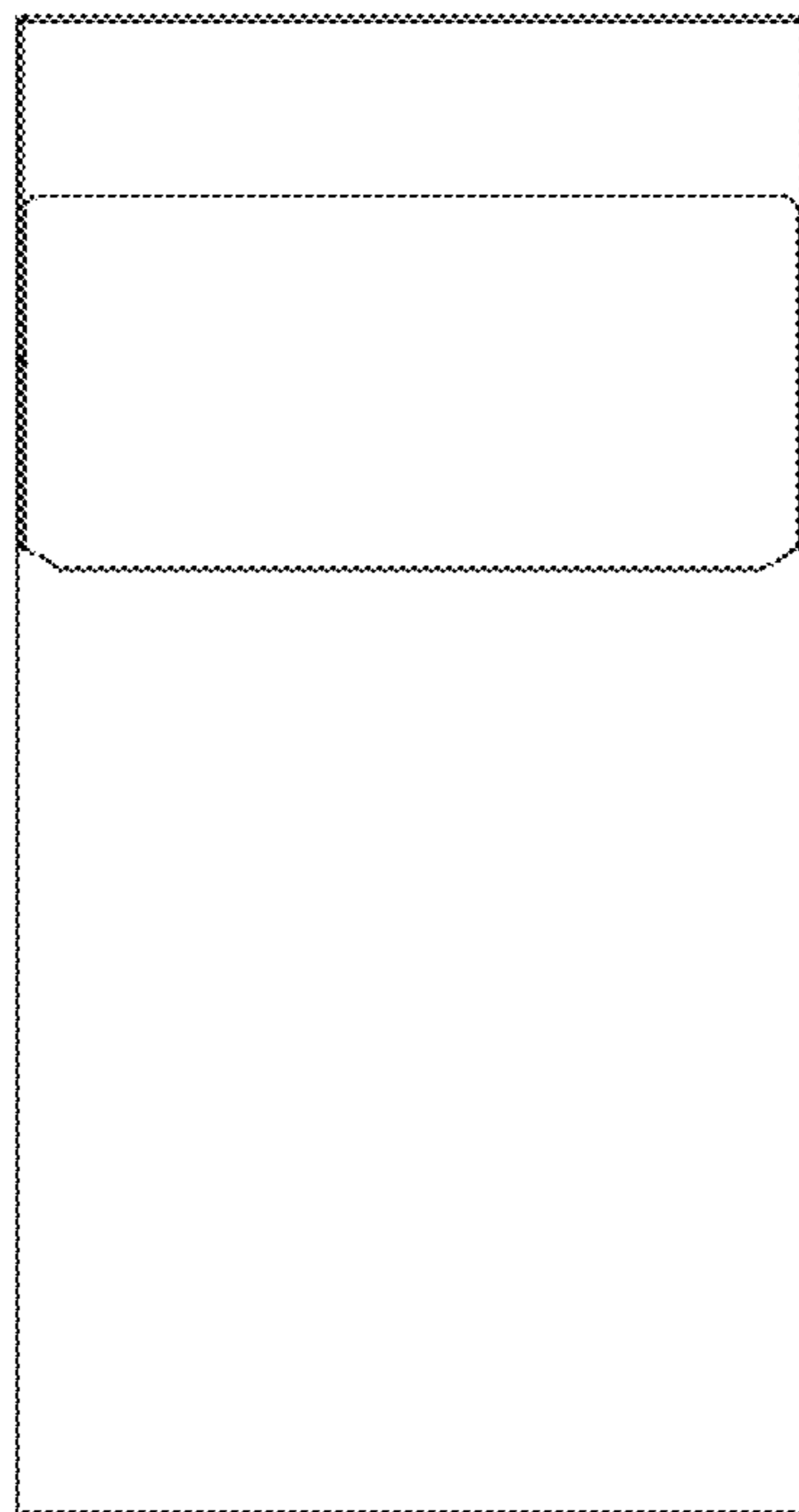


Fig. 6

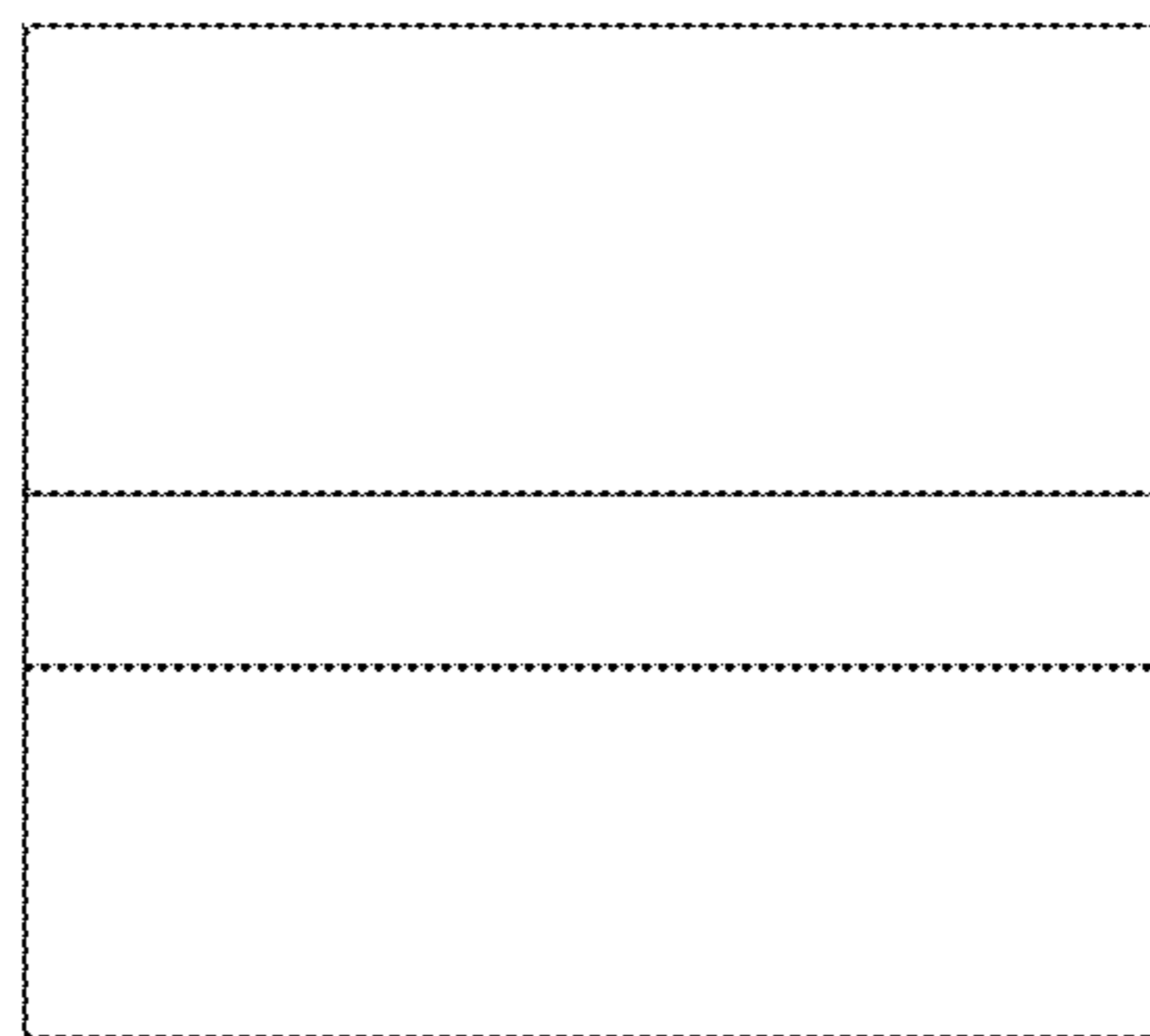


Fig. 7

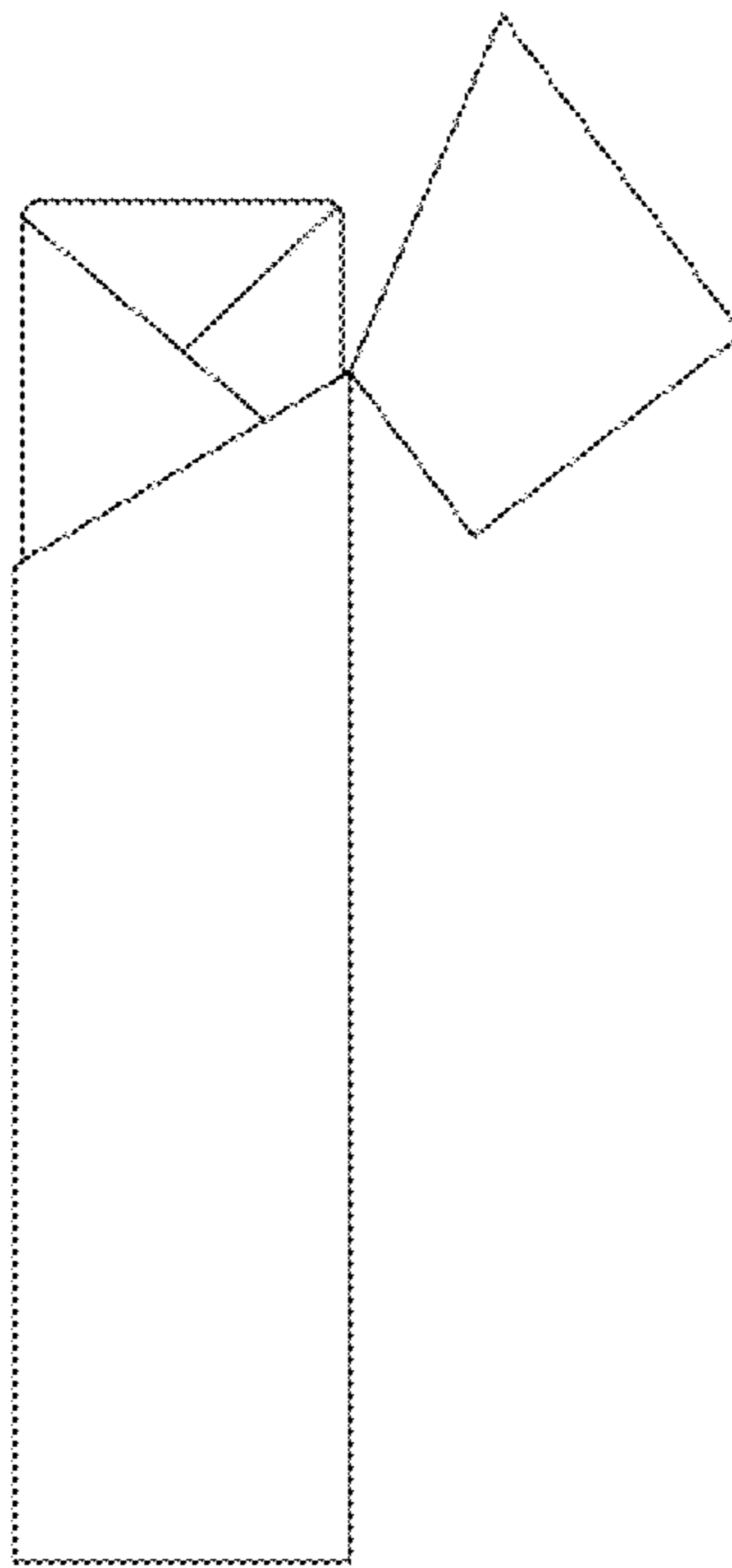


Fig. 8

