



US00D936470S

(12) **United States Design Patent** (10) **Patent No.:** **US D936,470 S**
Sillitoe et al. (45) **Date of Patent:** **** Nov. 23, 2021**

(54) **FASTENER**

F16B 2013/007; F16B 2015/0076; F16B 15/02; F16B 2/065; E04B 2001/405

See application file for complete search history.

(71) Applicants: **Gareth William Menzies as trustee for GM TRUST & SWM TRUST & RGM TRUST**, Maryborough (AU); **Timothy Menzies as trustee for TM TRUST**, Maryborough (AU)

(56)

References Cited

U.S. PATENT DOCUMENTS

D228,736	S	*	10/1973	Hall	D8/382
D258,418	S	*	3/1981	McDonald, Jr.	D8/382
4,305,505	A	*	12/1981	Hickey	B65D 19/38 108/54.1
D265,171	S	*	6/1982	Zukaitis	D8/349
4,571,912	A	*	2/1986	Fricker	E04B 1/4107 52/710
D352,656	S	*	11/1994	Rodman	D8/385
D401,211	S	*	11/1998	Simpson	D12/223
D435,433	S	*	12/2000	Miller	D8/354
D496,852	S	*	10/2004	Gass	D8/387
D660,140	S	*	5/2012	Pawluk	D8/387
D667,564	S	*	9/2012	Evans	70/258
D741,688	S	*	10/2015	James	D8/349
D757,900	S	*	5/2016	Yakushijin	D23/233
D854,403	S	*	7/2019	Guo	D8/382
D854,919	S	*	7/2019	Villanueva	D8/387

(Continued)

(72) Inventors: **Steven Sillitoe**, Red Hill (AU); **Michael Robertson**, Red Hill (AU); **Daniel Black**, Red Hill (AU); **Warwick Brown**, Red Hill (AU)

(73) Assignees: **Gareth William Menzies AS TRUSTEE FOR GM TRUST & SWM TRUST & RGM TRUST**, Maryborough (AU); **Timothy Menzies AS TRUSTEE FOR TM TRUST**, Maryborough (AU)

(**) Term: **15 Years**

Primary Examiner — Holly E Thurman

Assistant Examiner — Ieisha N Price

(21) Appl. No.: **29/715,112**

(74) *Attorney, Agent, or Firm* — Greer, Burns & Crain, Ltd.

(22) Filed: **Nov. 27, 2019**

(30) **Foreign Application Priority Data**

May 29, 2019 (AU) 201912922
Jun. 28, 2019 (AU) 2019204661

(51) **LOC (13) Cl.** **08-08**

(52) **U.S. Cl.**
USPC **D8/387**; D34/38

(58) **Field of Classification Search**
USPC D8/387, 349, 382, 384, 385, 398;
D34/38
CPC .. B65D 19/38; B65D 19/385; B65D 2313/02;
B65D 2519/00547; B65D 2519/00572;

(57)

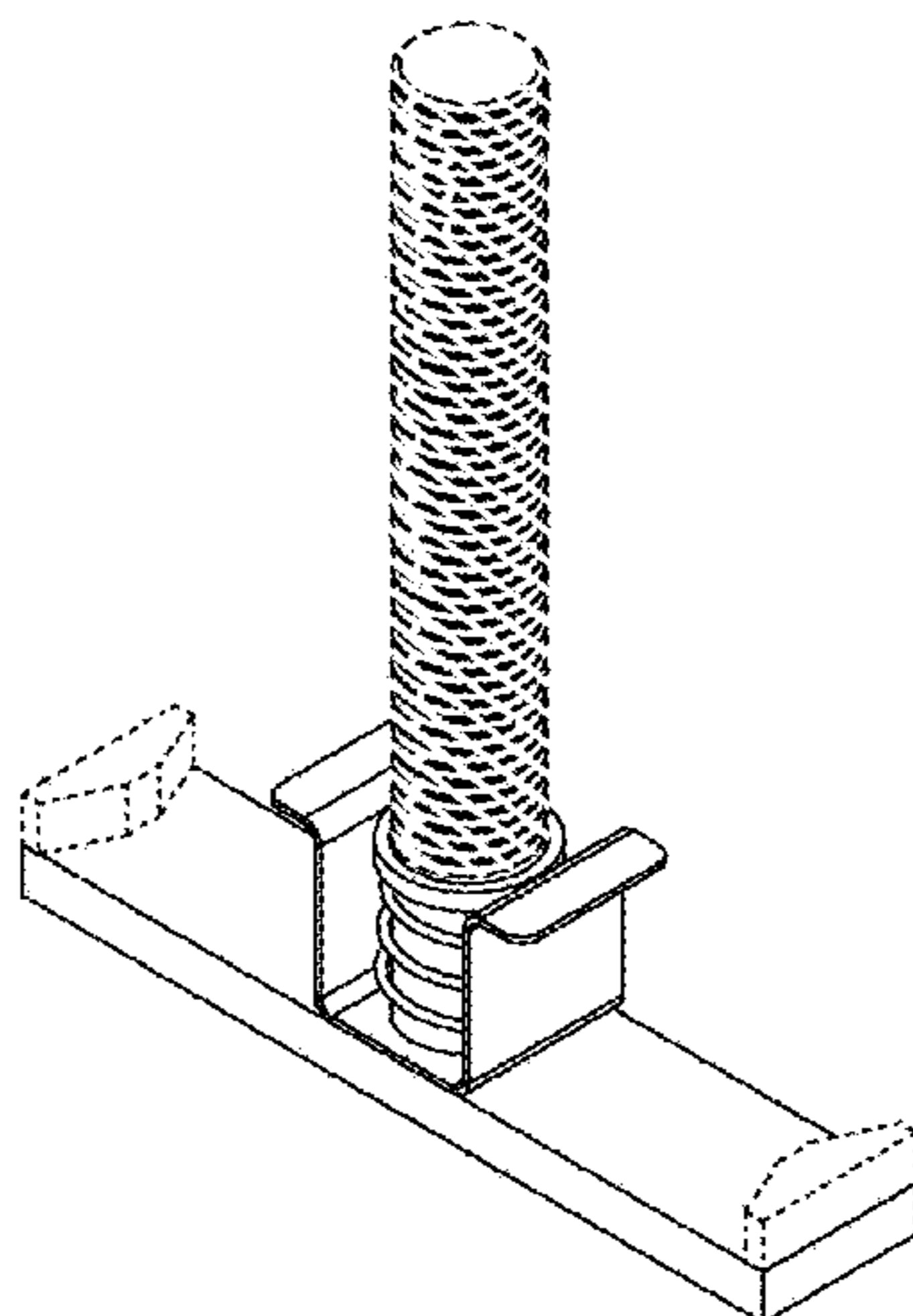
CLAIM

The ornamental design for a fastener, as shown and described.

DESCRIPTION

FIG. 1 is a top perspective view of the present fastener; FIG. 2 is a front view of the fastener of FIG. 1; FIG. 3 is a rear view of same; FIG. 4 is a side view of the fastener of FIG. 1; both sides being mirror images of each other; FIG. 5 is a top plan view of the fastener of FIG. 1; and, FIG. 6 is a bottom plan view of same.

(Continued)



The broken lines in the drawings illustrate portions of the fastener and form no part of the claimed design.

1 Claim, 5 Drawing Sheets

(56)

References Cited

U.S. PATENT DOCUMENTS

D857,487	S *	8/2019	Thompson	D8/390
D860,771	S *	9/2019	Feng	D8/387
D877,602	S *	3/2020	Nolfi	D8/382
D922,185	S *	6/2021	Liu	D8/387
2007/0212935	A1 *	9/2007	Lenox	H02S 20/23 439/567
2009/0205999	A1 *	8/2009	Smith	B65D 19/44 206/597
2012/0328392	A1 *	12/2012	Difante	F16B 13/0808 411/342
2013/0248668	A1 *	9/2013	Lu	H02S 20/00 248/222.14
2014/0010616	A1 *	1/2014	Meine	F16B 2/12 411/190
2015/0247326	A1 *	9/2015	Haddock	F24S 25/636 52/705
2016/0221716	A1 *	8/2016	Embleton	B65D 81/02
2017/0363138	A1 *	12/2017	Kilpatrick	F16B 45/00
2018/0003208	A1 *	1/2018	Kilgore	F16B 21/065
2018/0030734	A1 *	2/2018	Guo	E04H 17/1417
2019/0326847	A1 *	10/2019	Zuritis	F16B 43/00

* cited by examiner

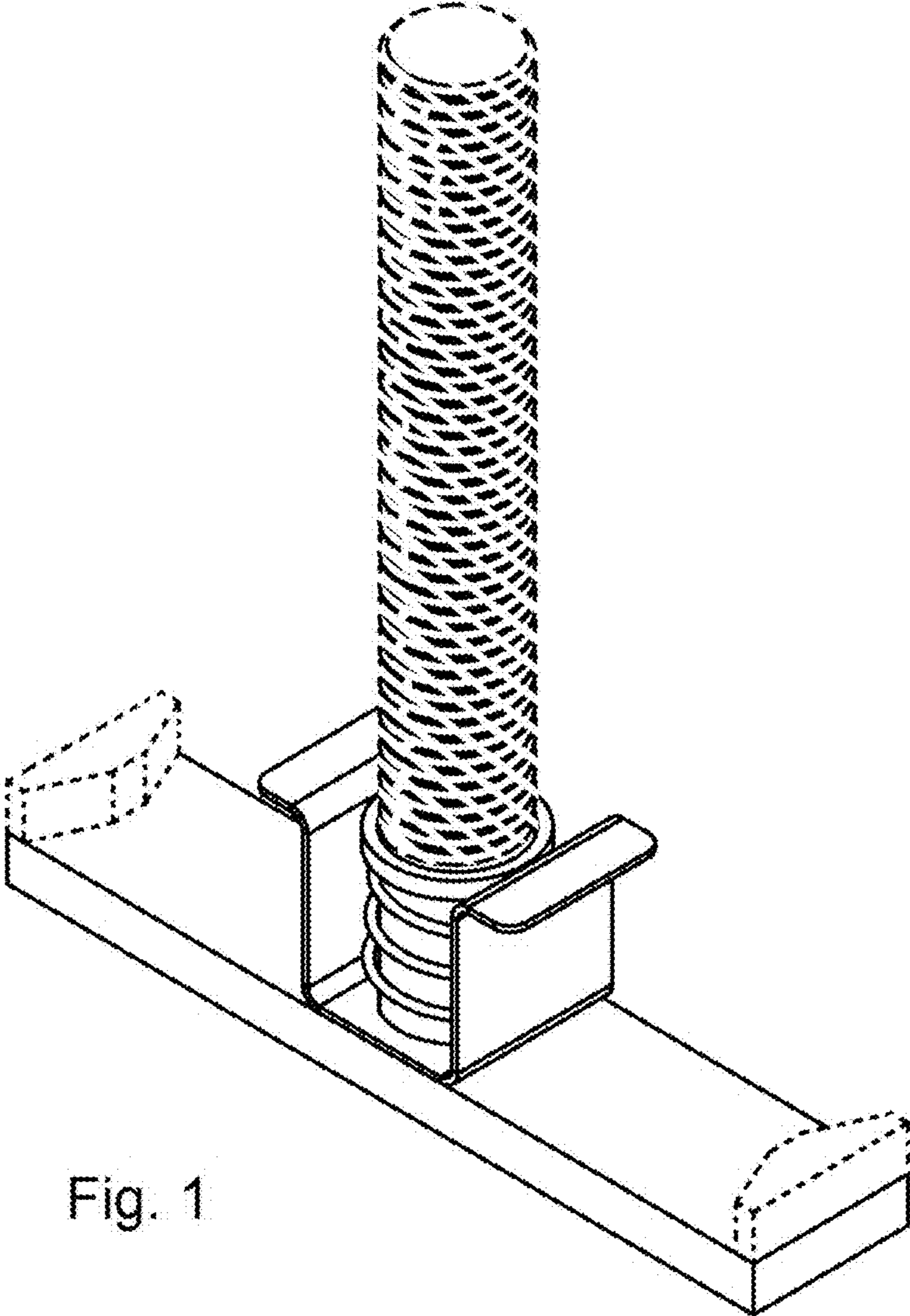


Fig. 1

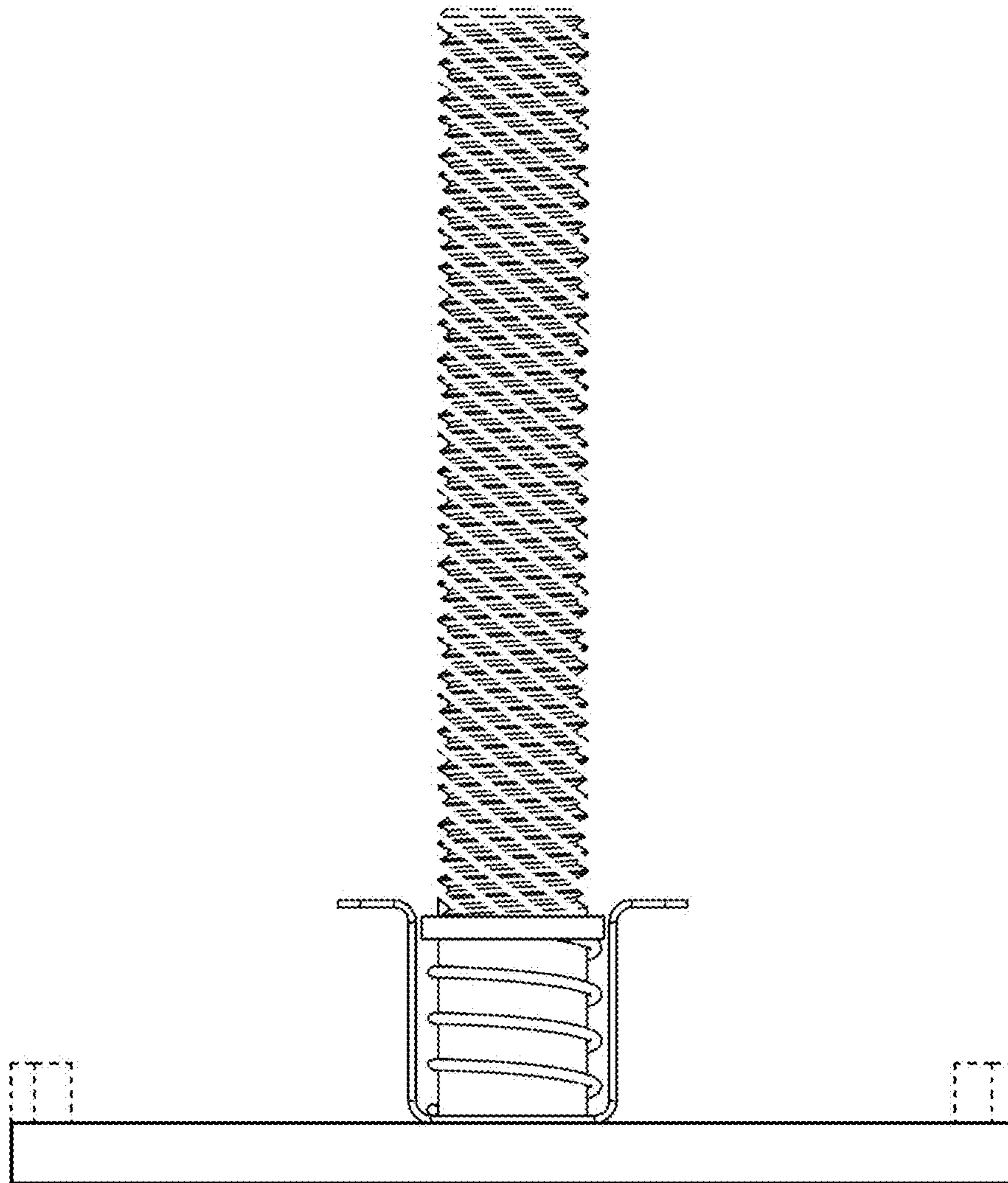


Fig. 2

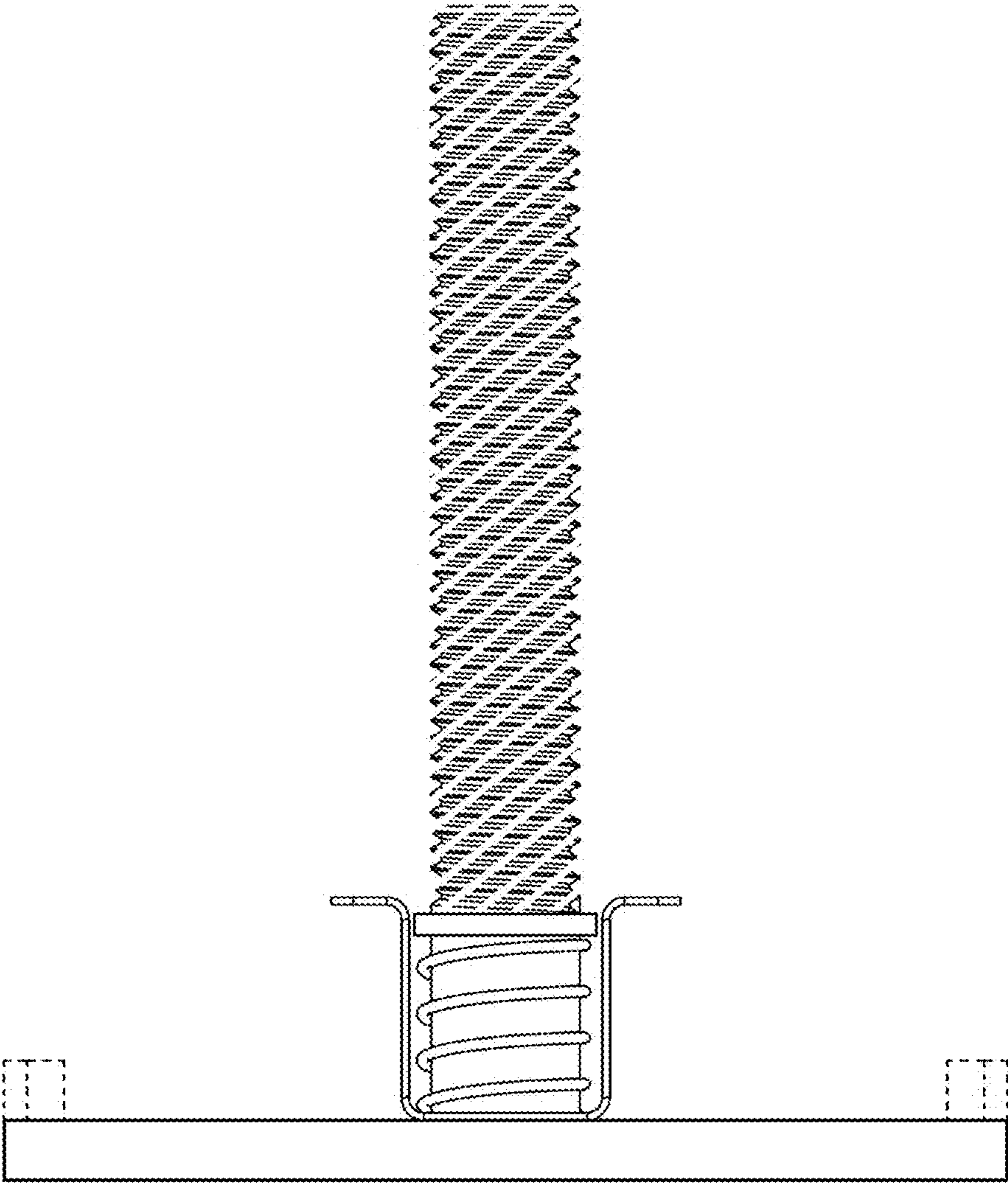


Fig. 3

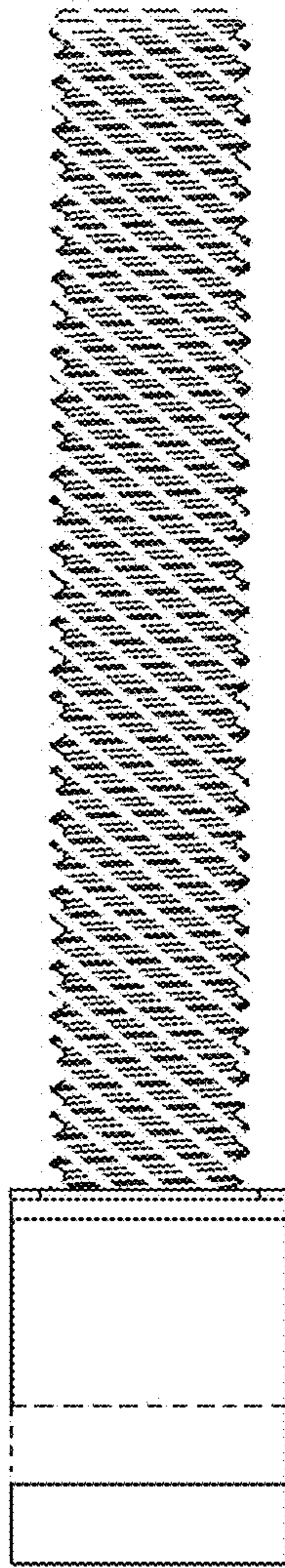


Fig. 4

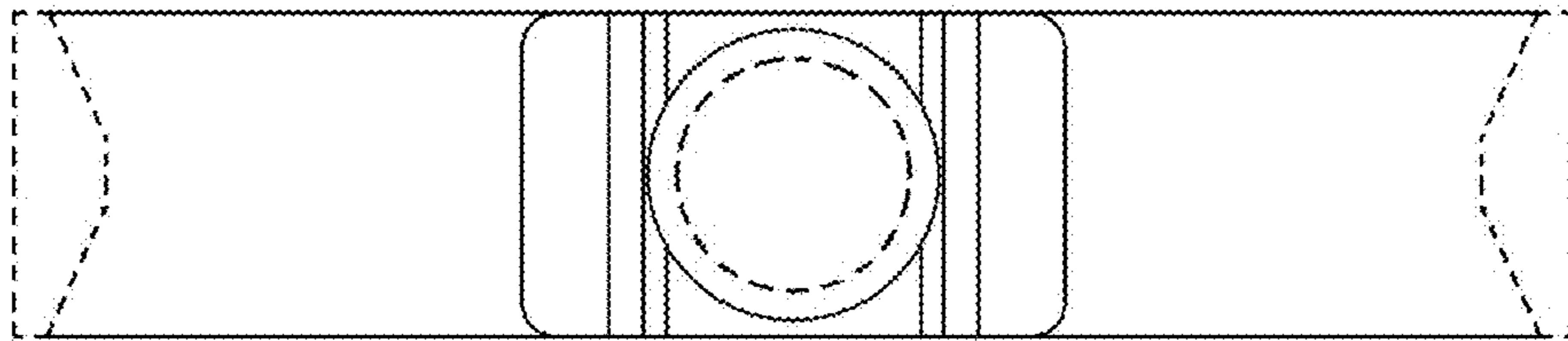


Fig. 5

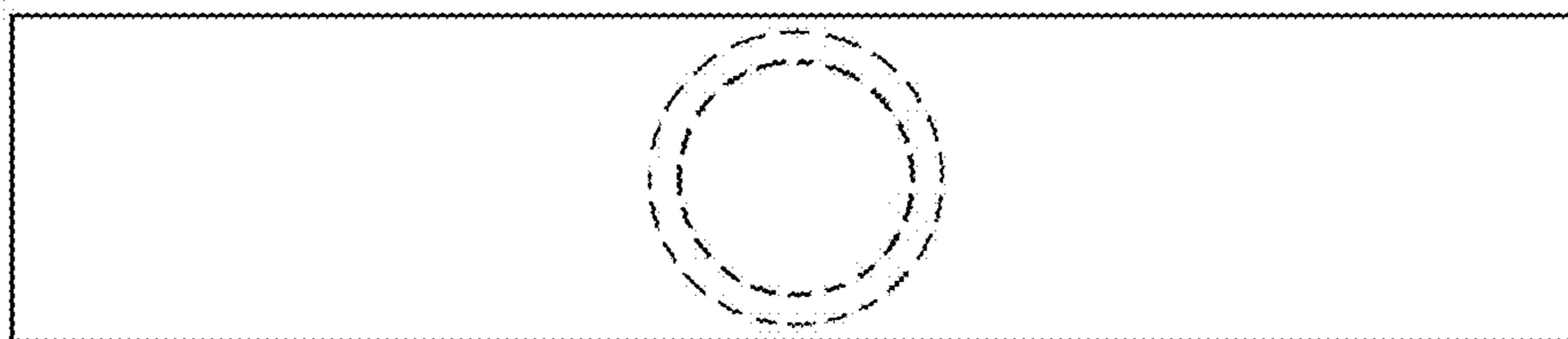


Fig. 6