



US00D936469S

(12) **United States Design Patent** (10) **Patent No.:** **US D936,469 S**  
**Zhu** (45) **Date of Patent:** **\*\* Nov. 23, 2021**

(54) **STRAPPING**  
(71) Applicant: **Liaolian Zhu**, Xianning (CN)  
(72) Inventor: **Liaolian Zhu**, Xianning (CN)  
(\*\*) Term: **15 Years**  
(21) Appl. No.: **29/763,530**  
(22) Filed: **Dec. 23, 2020**  
(51) **LOC (13) Cl.** ..... **08-08**  
(52) **U.S. Cl.**  
USPC ..... **D8/383**  
(58) **Field of Classification Search**  
USPC ..... D8/382, 394, 396, 356, 373  
CPC ..... B65D 63/00; B65D 63/1072;  
B65D 63/1063; B65D 63/1081; B65D  
63/1045; B65D 2563/103; B65D  
2563/107; F16L 3/2332; F16L 3/2334;  
F16L 3/2338; F16B 2/26; Y10T 24/1498;  
Y10T 24/14; Y10T 24/141; Y10T 24/15;  
Y10T 24/153  
See application file for complete search history.

(56) **References Cited**  
U.S. PATENT DOCUMENTS  
4,236,280 A \* 12/1980 Kreiseder ..... B65D 63/1072  
24/16 PB  
D368,853 S \* 4/1996 Liu ..... D8/394  
D422,487 S \* 4/2000 Khokhar ..... D8/396  
6,185,791 B1 \* 2/2001 Khokhar ..... B65D 63/1063  
24/16 PB  
D444,054 S \* 6/2001 Bernard ..... D8/394  
D698,631 S \* 2/2014 Wang ..... D8/383  
D698,632 S \* 2/2014 Wang ..... D8/383  
D857,608 S 8/2019 Tewani  
10,774,953 B1 \* 9/2020 Ku ..... F16L 3/2334  
2003/0229972 A1 \* 12/2003 Welch ..... B65D 63/1063  
24/16 PB  
2005/0262672 A1 \* 12/2005 Okamoto ..... B65D 63/1063  
24/716

2012/0017401 A1 \* 1/2012 Cheng ..... B65D 63/1072  
24/16 R  
2016/0355310 A1 \* 12/2016 Rogers ..... B65D 63/1072  
2016/0368680 A1 \* 12/2016 Winter ..... B65D 63/1081  
2019/0168937 A1 \* 6/2019 McDowell, III ... B65D 63/1072  
2021/0206553 A1 \* 7/2021 McDowell, III ... B65D 63/1045

**FOREIGN PATENT DOCUMENTS**

EP 2426062 A1 \* 3/2012 ..... B65D 63/1063

\* cited by examiner

*Primary Examiner* — Holly E Thurman  
*Assistant Examiner* — Ieisha N Price

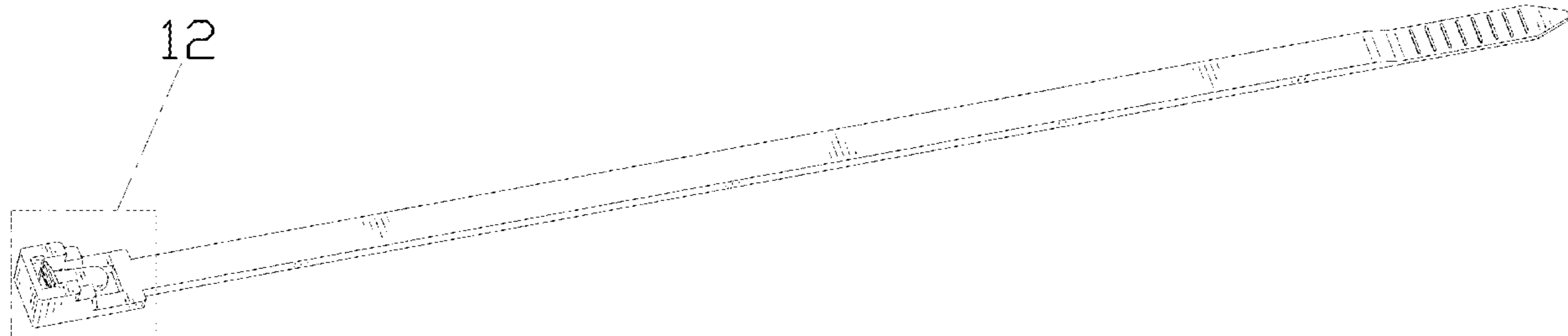
(57) **CLAIM**

The ornamental design for a strapping, as shown and described.

**DESCRIPTION**

FIG. 1 is a front perspective view of a strapping showing my new design;  
FIG. 2 is a rear perspective view thereof;  
FIG. 3 is a front elevational view thereof;  
FIG. 4 is a rear elevational view thereof;  
FIG. 5 is a left side elevational view thereof;  
FIG. 6 is a right side elevational view thereof;  
FIG. 7 is a top plan view thereof;  
FIG. 8 is a bottom plan view thereof;  
FIG. 9 is a perspective view of the strapping where the strapping is in a first configuration of use;  
FIG. 10 is a perspective view of the strapping where the strapping is in a second configuration of use;  
FIG. 11 is an enlarged view taken from portion 11 shown in FIG. 1;  
FIG. 12 is an enlarged view taken from portion 12 shown in FIG. 2; and,  
FIG. 13 is an enlarged right side elevational view of the strapping.

**1 Claim, 13 Drawing Sheets**



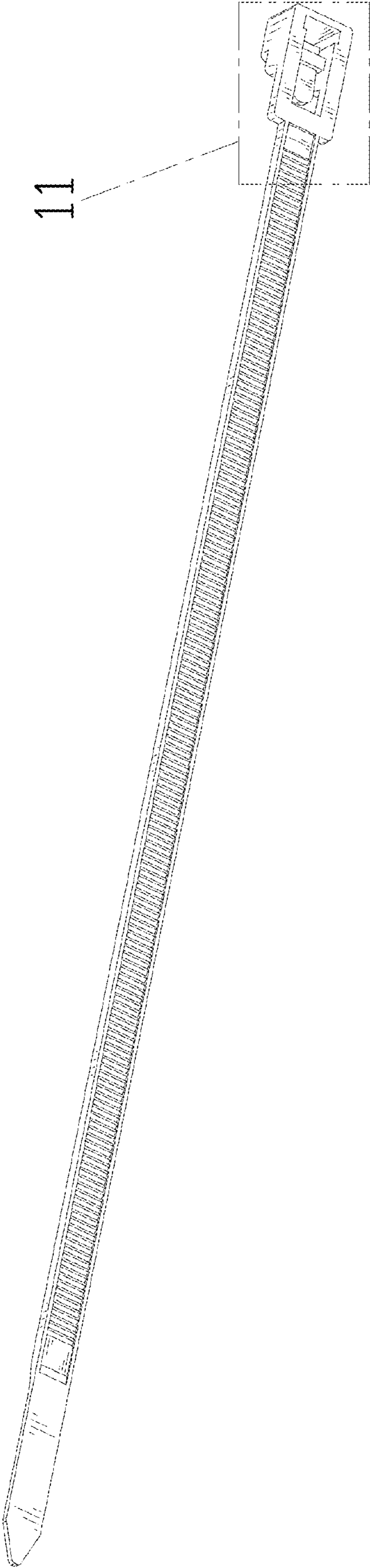


FIG. 1

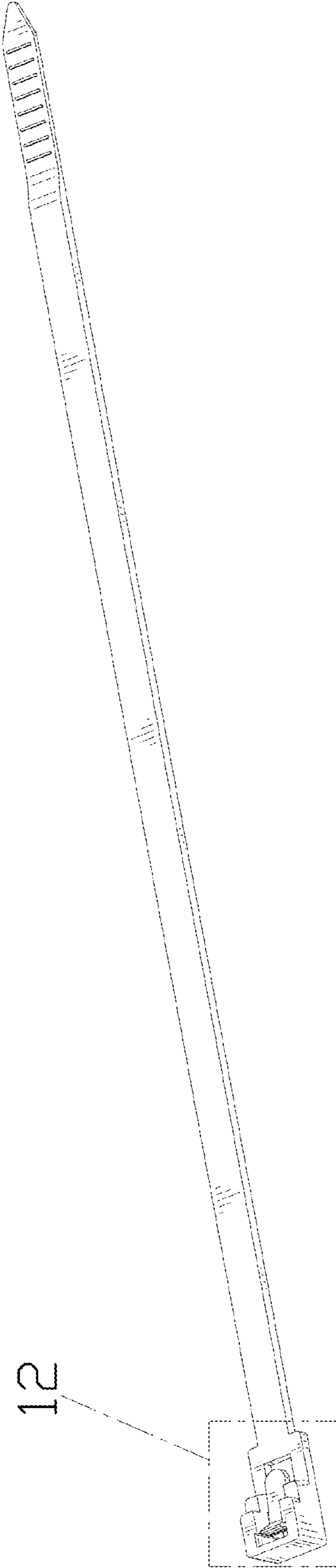


FIG. 2

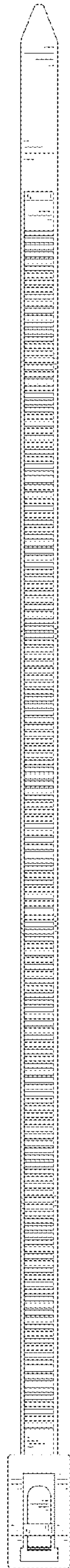


FIG. 3

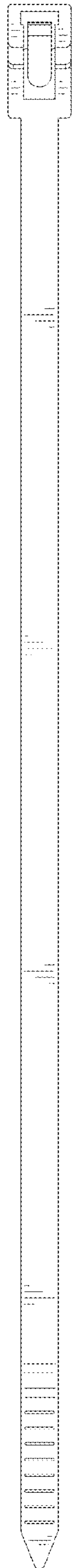


FIG. 4



FIG. 5

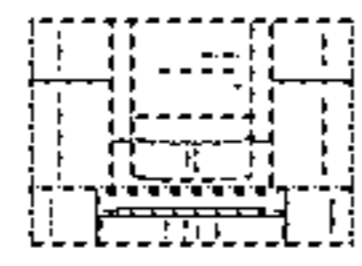


FIG. 6



FIG. 7





FIG. 8

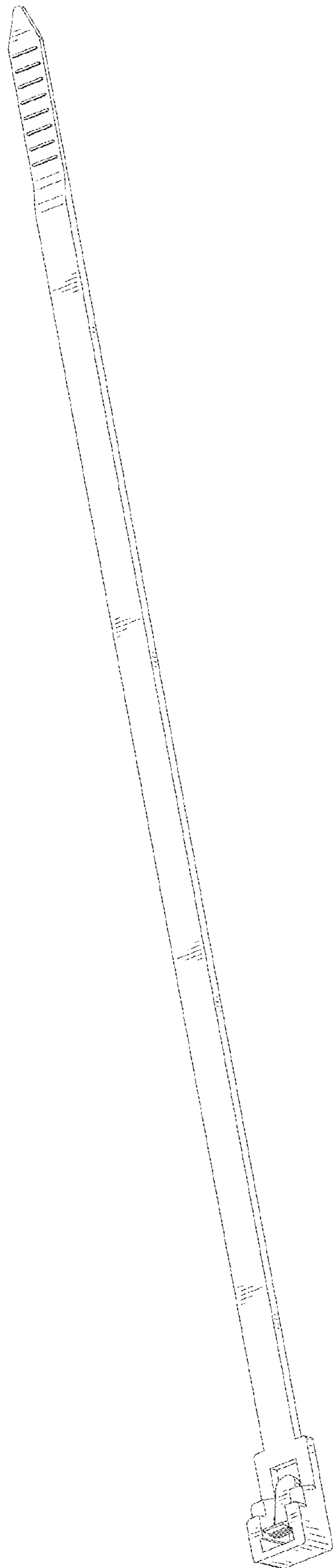


FIG. 9

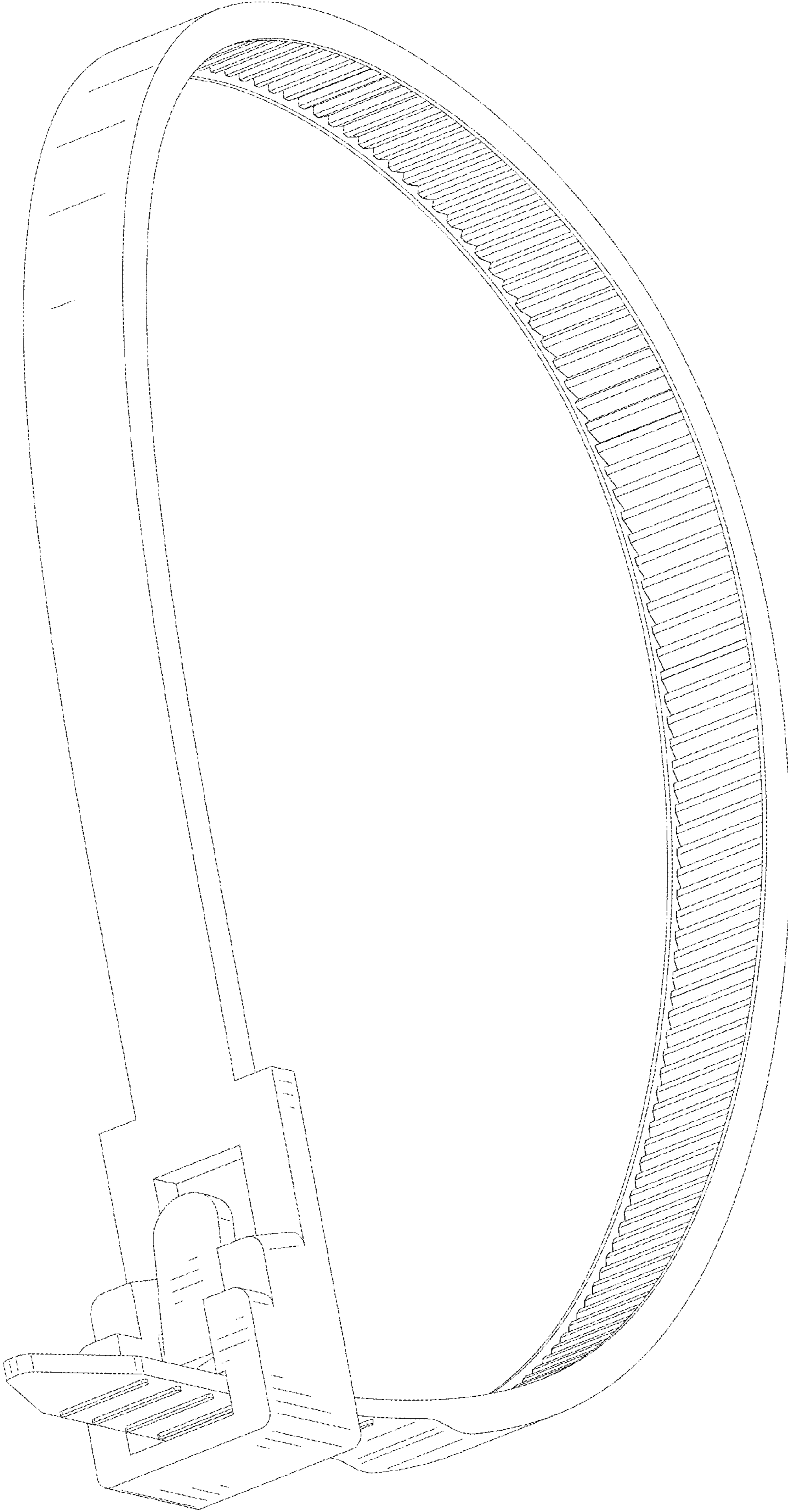


FIG. 10

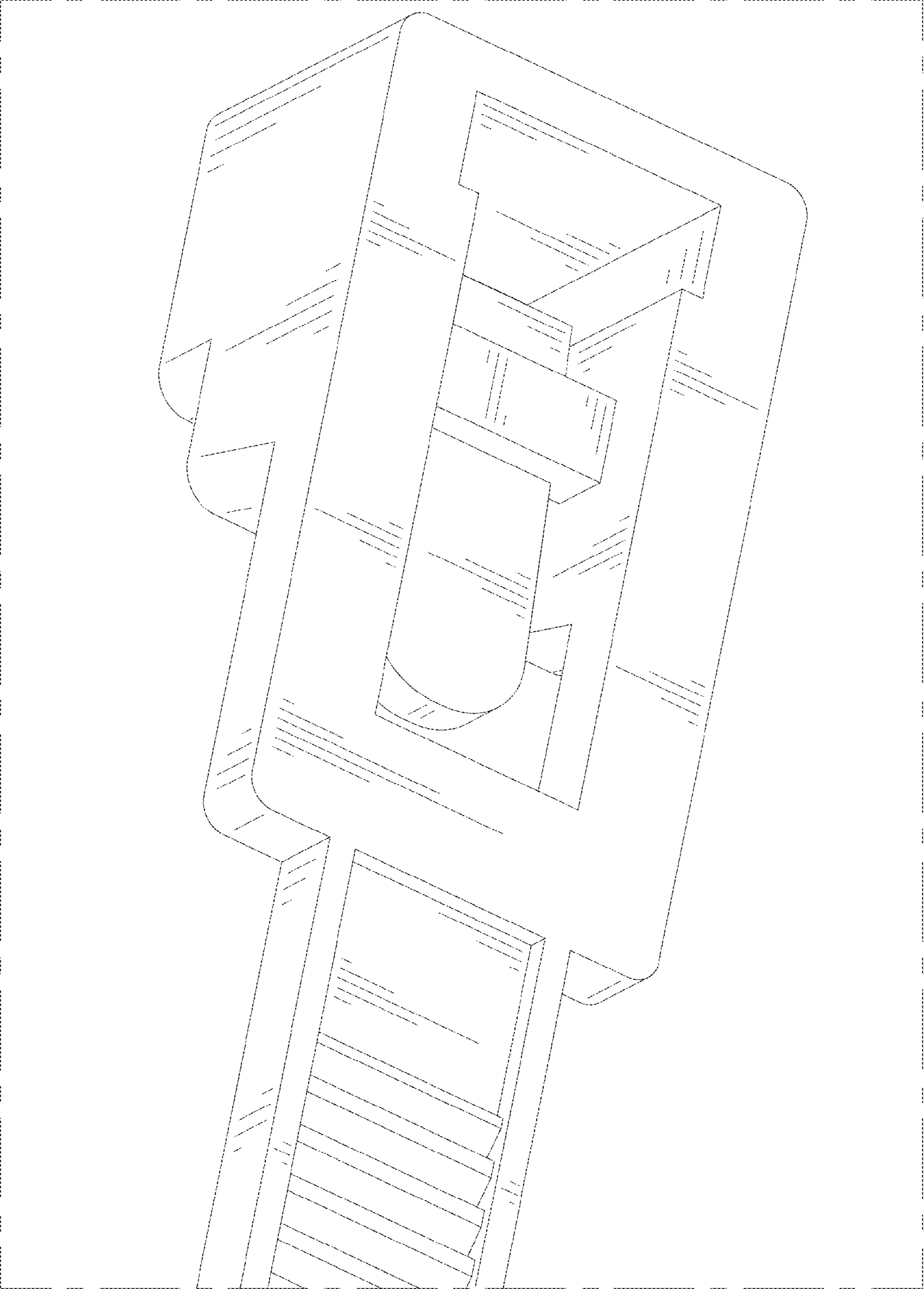


FIG. 11

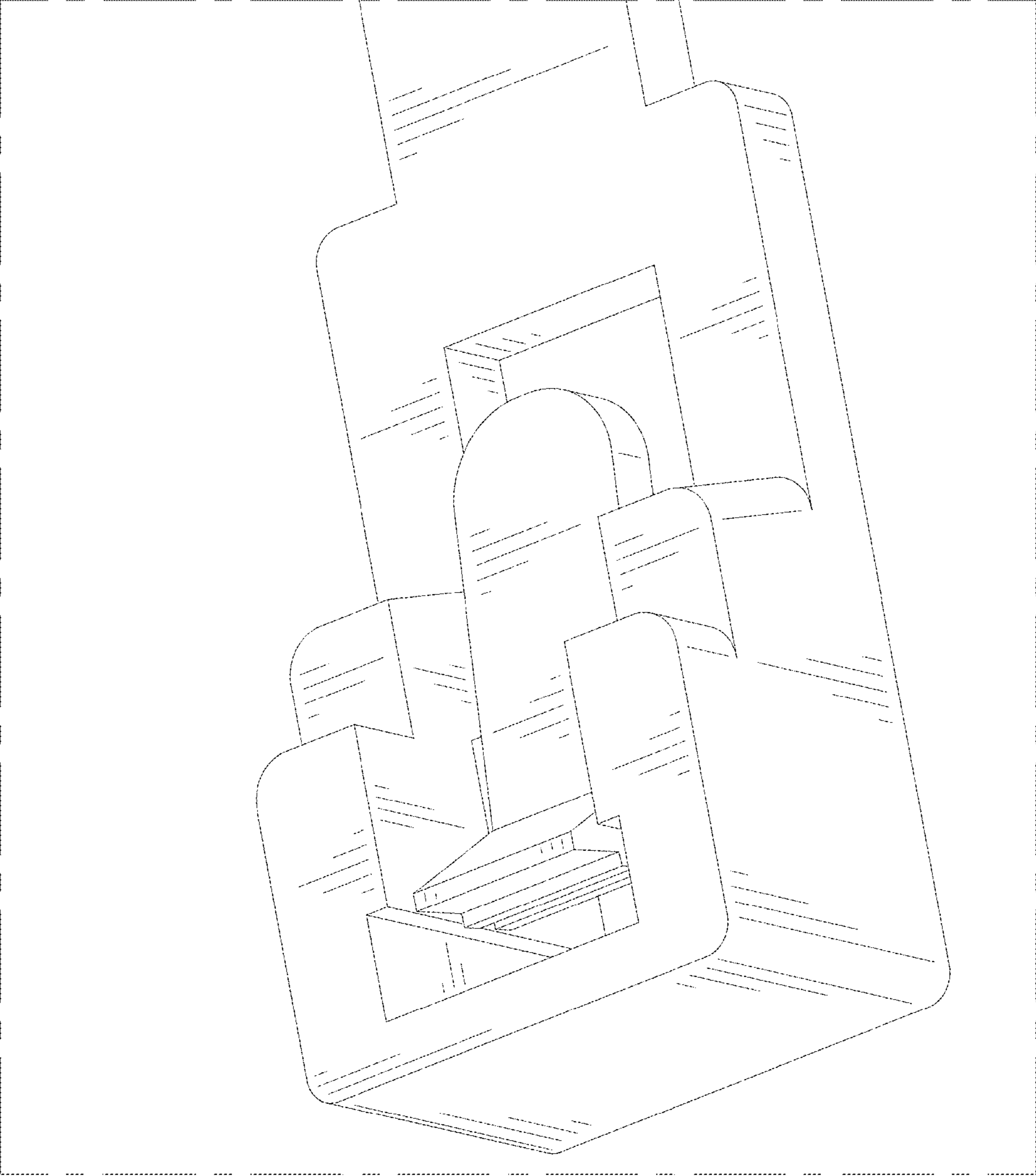


FIG. 12

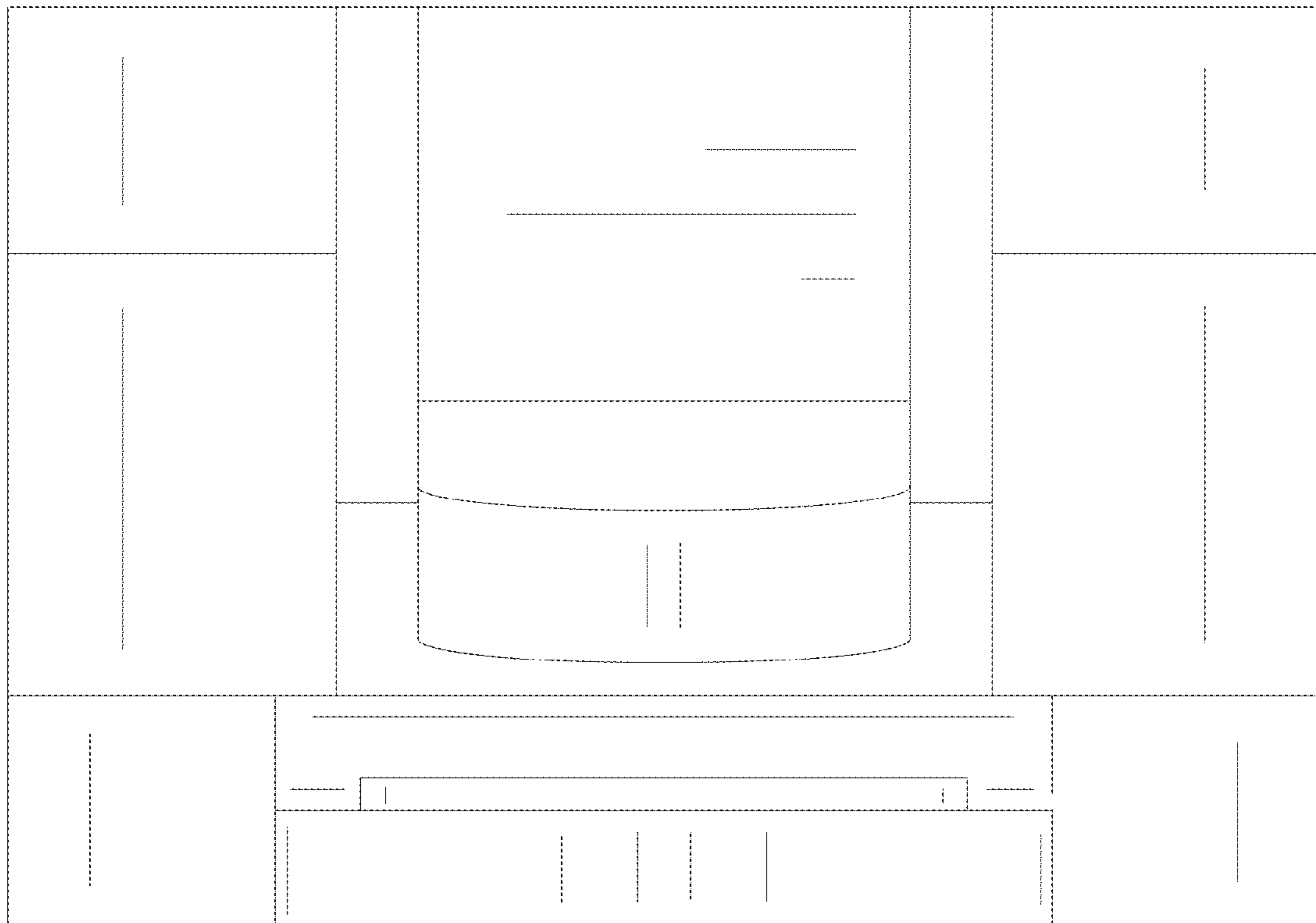


FIG. 13