

US00D936468S

(12) **United States Design Patent** (10) **Patent No.:** **US D936,468 S**
Bengtsson (45) **Date of Patent:** **** Nov. 23, 2021**

(54) **FASTENING DEVICE**
(71) Applicant: **Troax AB**, Hillerstorp (SE)
(72) Inventor: **Staffan Bengtsson**, Gnosjö (SE)
(73) Assignee: **TROAX AB**
(**) Term: **15 Years**
(21) Appl. No.: **35/509,653**
(22) Filed: **Dec. 19, 2019**

(80) **Hague Agreement Data**

Int. Filing Date: **Dec. 19, 2019**
Int. Reg. No.: **DM/206544**
Int. Reg. Date: **Dec. 19, 2019**
Int. Reg. Pub. Date: **Jun. 19, 2020**

(51) **LOC (13) Cl.** **08-08**
(52) **U.S. Cl.**
USPC **D8/382**

(58) **Field of Classification Search**
USPC D7/300, 301, 306, 309, 311, 312, 313,
D7/332, 337, 339, 347, 348, 352, 362,
D7/367, 368, 376, 377, 378, 379, 381,
D7/383, 396, 399, 407, 409, 510, 523,
D7/543, 532, 538, 665; D15/199
CPC .. A47J 31/44; A47J 31/52; A47J 43/04; A47J
43/044
See application file for complete search history.

(56) **References Cited**

U.S. PATENT DOCUMENTS

3,536,281 A * 10/1970 Attore F16L 3/243
248/73
3,722,928 A * 3/1973 Skubic F16B 5/0685
52/714
D257,950 S * 1/1981 Van Meter, Jr. D13/154
D269,589 S * 7/1983 Nakama D8/356
D443,196 S * 6/2001 Sosa D8/323
D443,815 S * 6/2001 Adriaenssens D4/199

D467,792 S * 12/2002 Zadak A47F 5/0823
D8/354
D547,168 S * 7/2007 Churchill D8/382
D549,089 S * 8/2007 Jun D8/394
D550,540 S * 9/2007 Nawrocki D8/354
D599,649 S * 9/2009 Wakasugi D8/382
D628,057 S * 11/2010 Benne D8/394
D628,539 S * 12/2010 Tezak A47F 5/0823
D13/152
D633,368 S * 3/2011 Taylor E04F 15/02044
D8/331
D659,522 S * 5/2012 Noturno F16B 5/0028
D8/382
D664,421 S * 7/2012 Bishir D8/331
D672,633 S * 12/2012 Aspestequia Martinez ... D8/354
8,544,229 B2 * 10/2013 Kilgore E04F 15/02044
52/489.2

(Continued)

FOREIGN PATENT DOCUMENTS

WO D210832-007 * 10/2020

Primary Examiner — Karen S Acker
(74) *Attorney, Agent, or Firm* — Tucker Ellis LLP

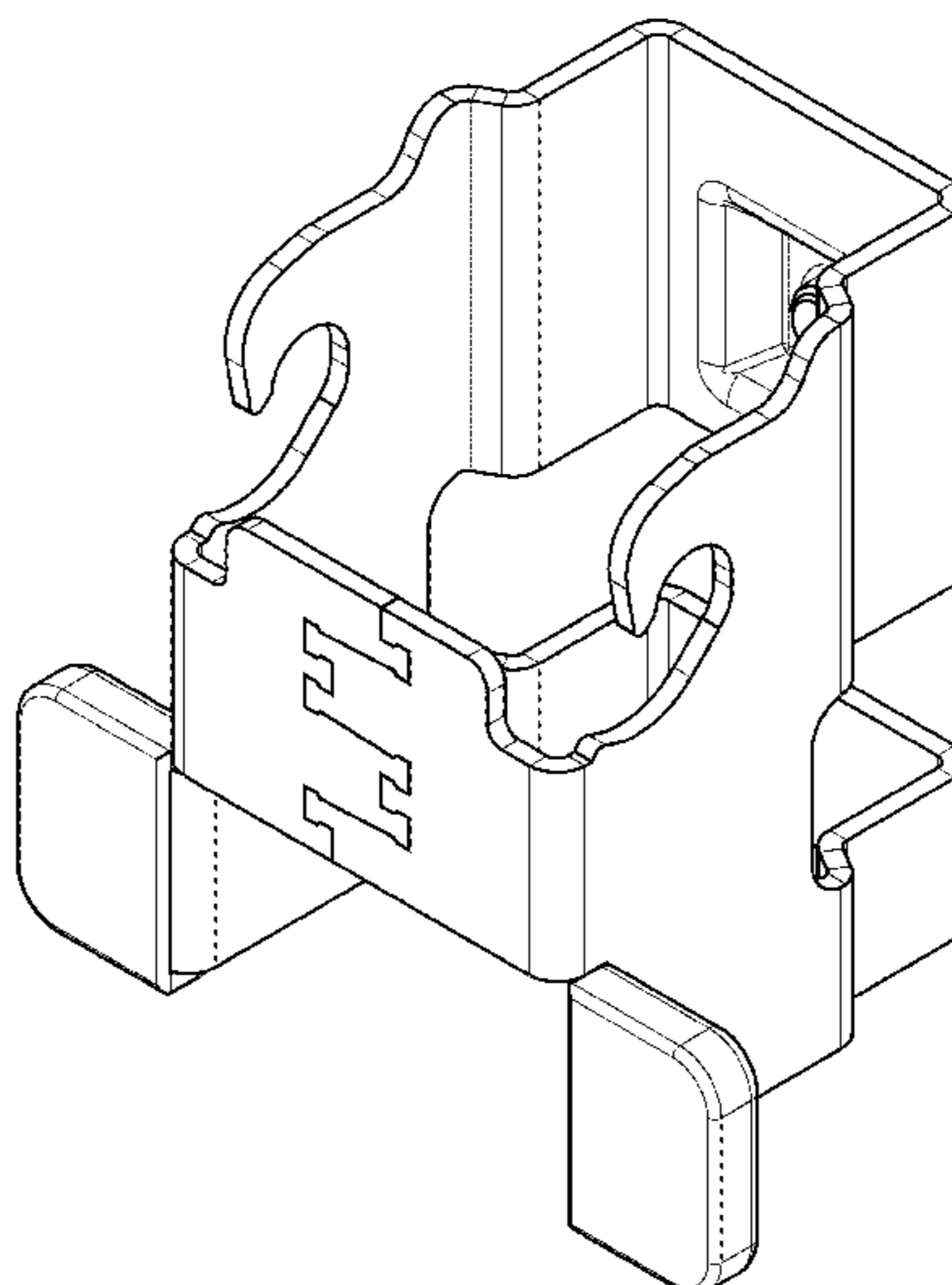
(57) **CLAIM**

The ornamental design for a fastening device, as shown and described.

DESCRIPTION

1.-5. Fastening device
6.-7. Fastening device (part of -)
1.1 is a front, left and top perspective view of a fastening device embodying my new design;
1.2 is a rear, right and top perspective view thereof;
1.3 is a left side view thereof;
1.4 is a front view thereof;
1.5 is a right side view thereof;
1.6 is a rear view thereof; and
1.7 is a top view thereof.
The broken lines depict portions of the fastening device that form no part of the claimed design.

1 Claim, 7 Drawing Sheets



(56)

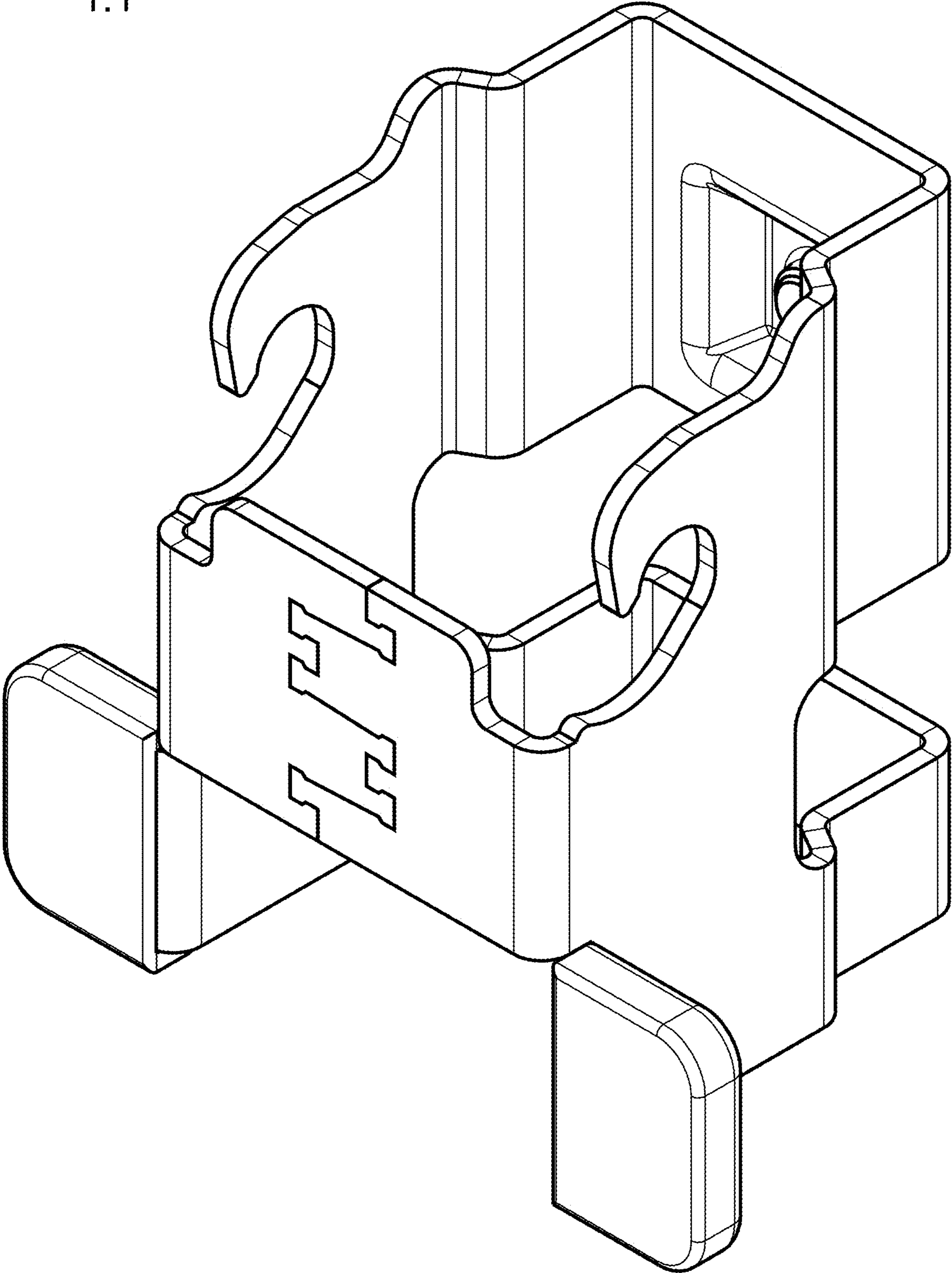
References Cited

U.S. PATENT DOCUMENTS

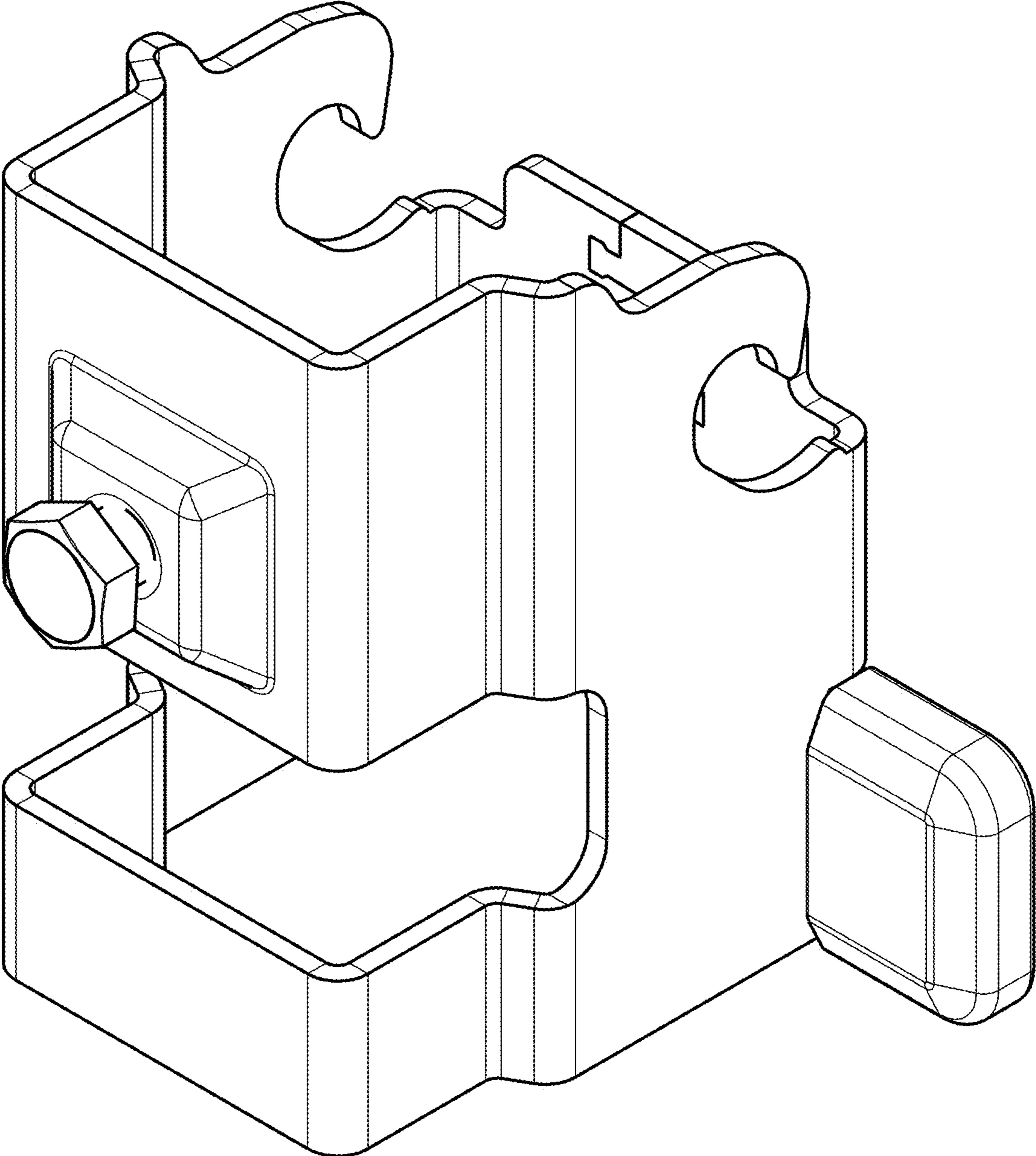
D729,611	S *	5/2015	Schmidt	H01R 13/62955
					D8/349
D738,325	S *	9/2015	Bulla	H01R 13/639
					D13/173
D739,224	S *	9/2015	Hayman	D8/396
9,371,642	B2 *	6/2016	Herbertsson	E04H 17/163
D761,100	S *	7/2016	Divers	D8/396
D764,649	S *	8/2016	Ko	D23/364
D767,370	S *	9/2016	Yato	D8/354
9,601,871	B2 *	3/2017	Schmidt	H01R 13/639
D786,661	S *	5/2017	Wright	D8/396
D793,216	S *	8/2017	Divers	D8/396
D844,423	S *	4/2019	Gerber	D8/396
D849,522	S *	5/2019	Kondo	D8/396
D856,124	S *	8/2019	Jefferson	B25B 13/481
					D8/396
D868,574	S *	12/2019	Pittman	D8/396
10,601,178	B2 *	3/2020	Spilker	H01R 13/62955
D887,259	S *	6/2020	Schwarzmann	D8/387
D889,931	S *	7/2020	Monroe	F16B 5/065
					D8/331
D915,876	S *	4/2021	Schwarzmann	D8/387
D916,581	S *	4/2021	Axelsson	D8/349
2014/0356063	A1 *	12/2014	Tung	F16B 5/065
					403/374.4

* cited by examiner

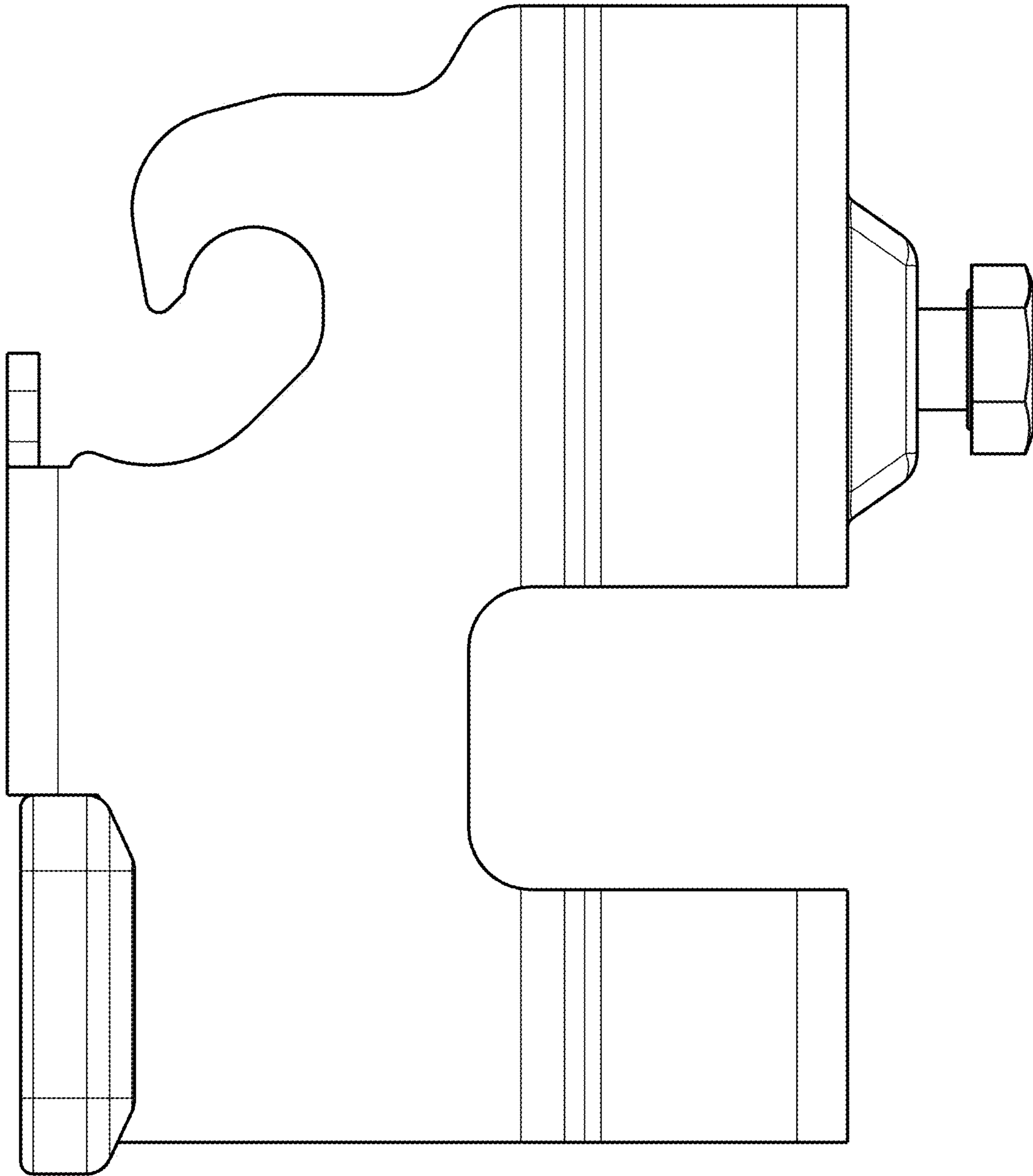
1.1



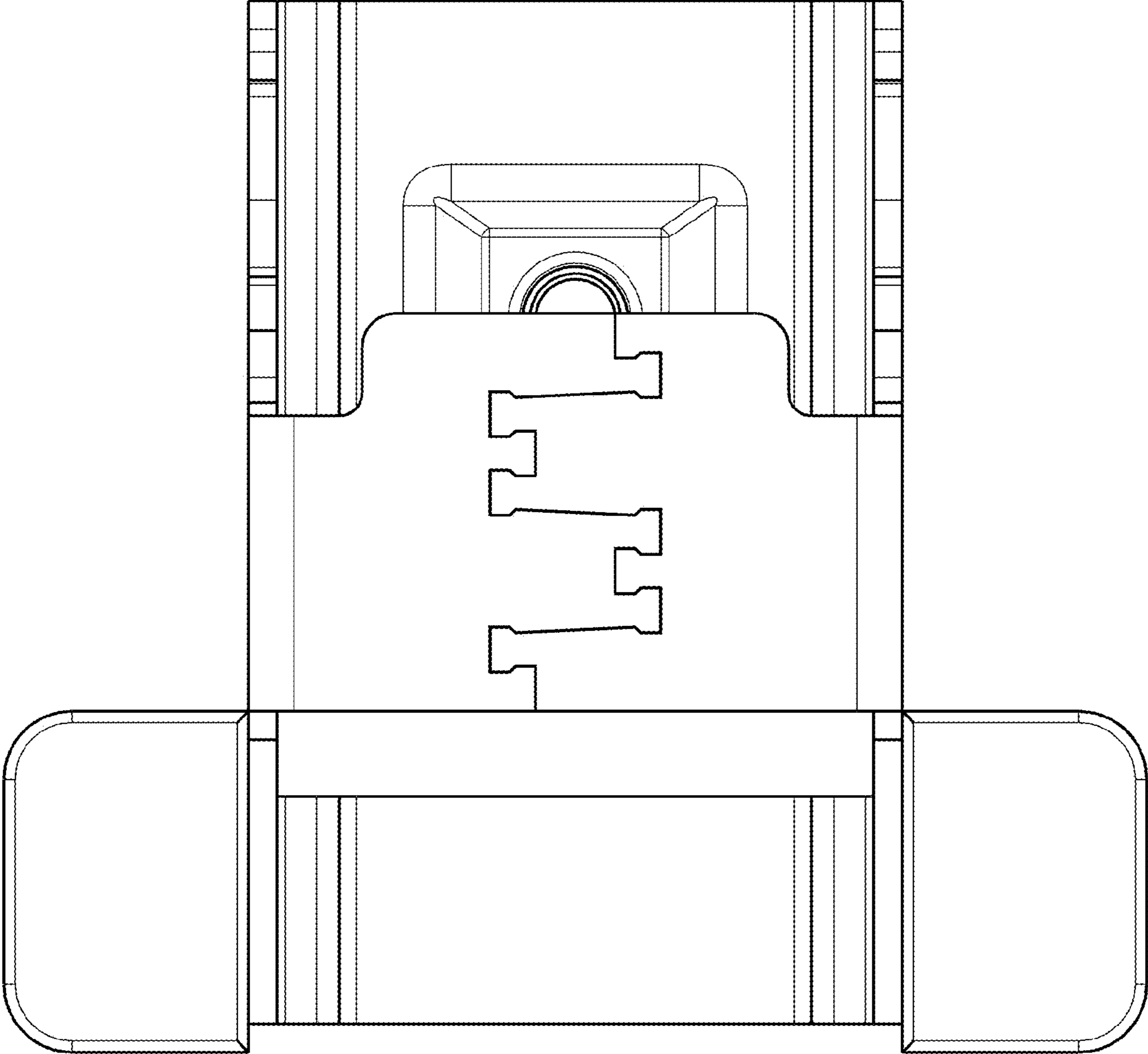
1.2



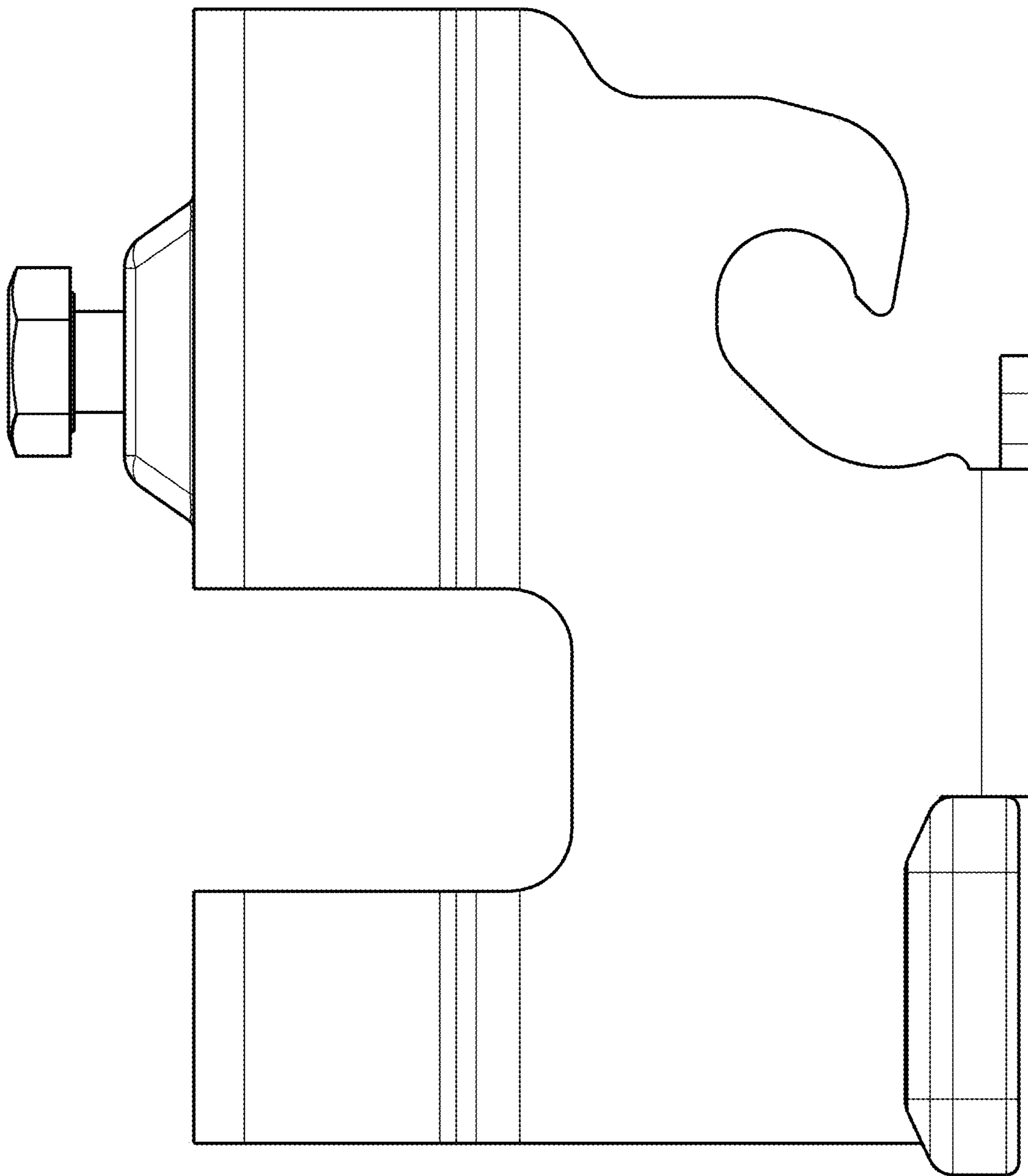
1.3



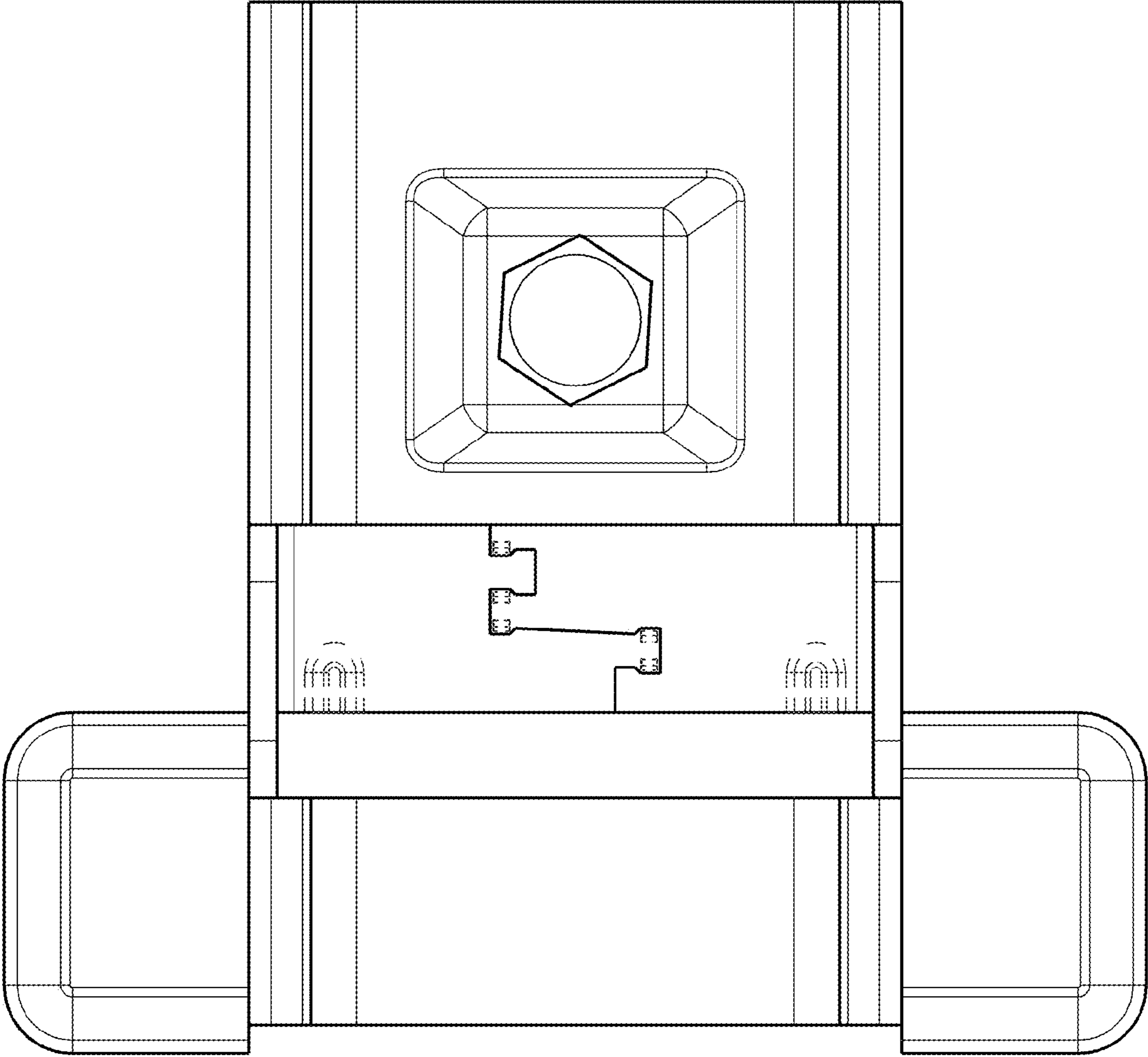
1.4



1.5



1.6



1.7

