

US00D936467S

(12) **United States Design Patent** (10) **Patent No.:** **US D936,467 S**  
**Uschold** (45) **Date of Patent:** **\*\* \*Nov. 23, 2021**

(54) **FASTENER SET**

D200,198 S \* 2/1965 Vilcins et al. .... D8/383  
3,282,657 A \* 11/1966 Bright ..... B60J 10/18  
428/575  
3,338,689 A \* 8/1967 Cervenka ..... B21D 53/00  
428/571

(71) Applicant: **Avery Dennison Corporation**,  
Glendale, CA (US)

(Continued)

(72) Inventor: **Robert Charles Uschold**, Leominster,  
MA (US)

**FOREIGN PATENT DOCUMENTS**

(73) Assignee: **Avery Dennison Corporation**,  
Glendale, CA (US)

CA 33943 5/1971  
CN 301364410 \* 4/2010

(Continued)

(\* ) Notice: This patent is subject to a terminal dis-  
claimer.

**OTHER PUBLICATIONS**

(\*\*) Term: **15 Years**

Keadic, 30Pcs M32 Two Hole Strap U Bracket Tube Strap Tension  
Clips Stainless Steel Heavy Duty Rigid Pipe Strap Clamp, Date first  
available Sep. 2, 2018, [online]retrieved Dec. 28, 2020, available  
from internet, <https://www.amazon.com/Keadic-Bracket-Stainless-Surfaces-Structures/dp/B07H25JPZN/ref=s> (Year: 2018).\*

(Continued)

(21) Appl. No.: **29/714,625**

(22) Filed: **Nov. 25, 2019**

(51) **LOC (13) Cl.** ..... **08-08**

(52) **U.S. Cl.**  
USPC ..... **D8/382**; D8/394

(58) **Field of Classification Search**  
USPC ..... D8/349, 382-399; 24/710.5, 711, 336,  
24/338; 227/67, 68  
CPC .... A41H 37/008; A43D 100/08; A44B 1/185;  
A44B 9/02; Y10T 24/4689; Y10T 24/24;  
A45D 8/16; A45D 8/22; A45D 8/26;  
A41D 13/0562; A41D 27/202; A45C  
7/0027; B21D 53/52; B21F 45/18; B65H  
2405/1414; B65D 33/2525; B65D  
33/25865

See application file for complete search history.

*Primary Examiner* — Keli L Hill  
*Assistant Examiner* — Sara S Sahneh

(57) **CLAIM**

The ornamental design for fastener set, as shown and  
described.

**DESCRIPTION**

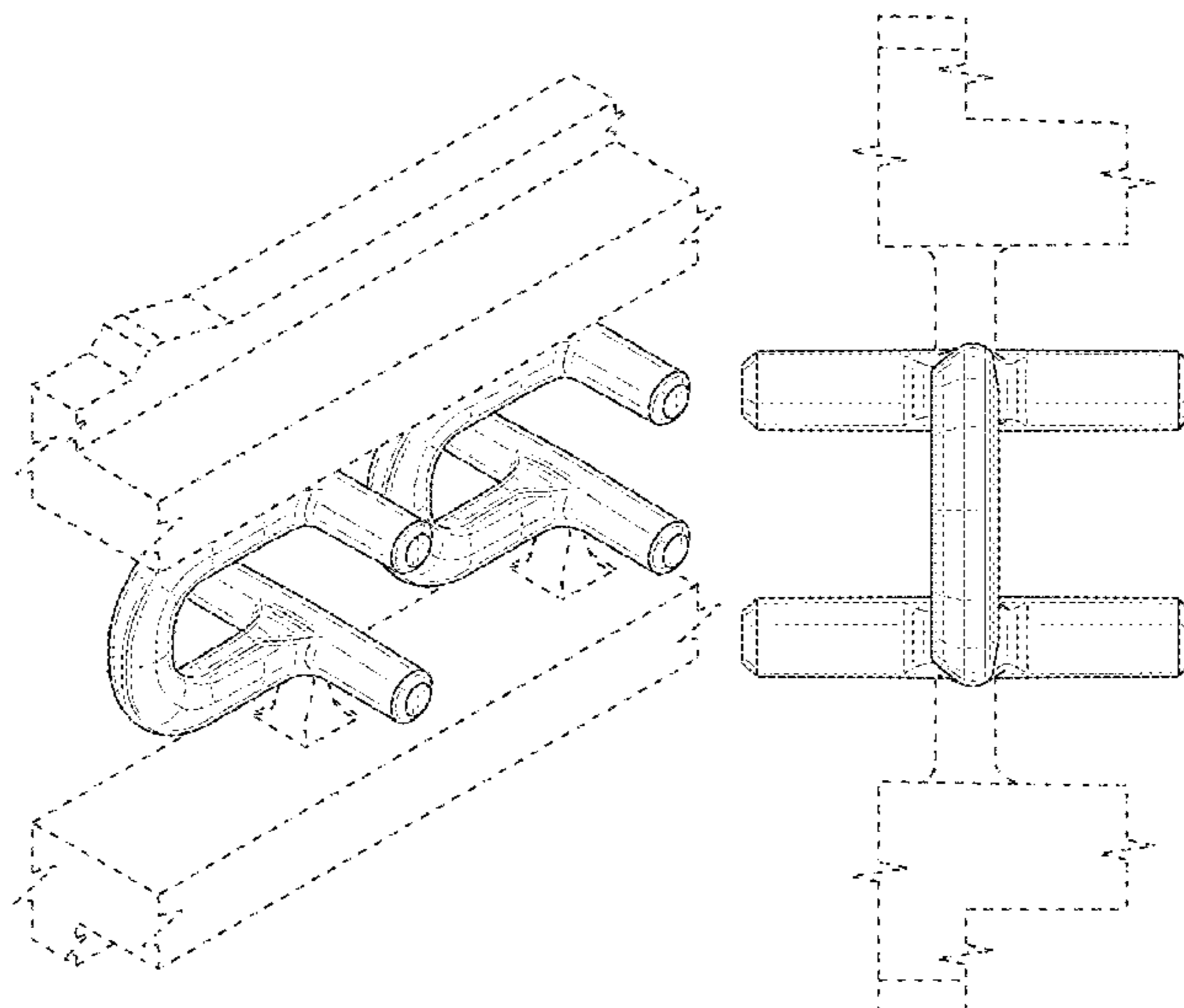
FIG. 1 is a front, top, left perspective view of a fastener set  
showing my new design;  
FIG. 2 is a left side view of the fastener set of FIG. 1;  
FIG. 3 is a right side view of the fastener set of FIG. 1;  
FIG. 4 is a front view of the fastener set of FIG. 1;  
FIG. 5 is a rear view of the fastener set of FIG. 1;  
FIG. 6 is a top view of the fastener set of FIG. 1; and,  
FIG. 7 is a bottom view of the fastener set of FIG. 1.  
The broken line showing of fastener set is included for the  
purpose of illustrating environmental structure while all  
other lines illustrate portions of the fastener set; the broken  
lines form no part of the claimed design.

(56) **References Cited**

**U.S. PATENT DOCUMENTS**

2,257,954 A \* 10/1941 Henkels ..... B21D 53/52  
24/411  
2,947,047 A \* 8/1960 Guzell ..... B42F 1/08  
24/67.9

**1 Claim, 7 Drawing Sheets**



(56)

References Cited

U.S. PATENT DOCUMENTS

3,399,432 A 9/1968 Merser  
 3,470,834 A 10/1969 Bone  
 3,494,004 A 2/1970 Bone  
 3,547,122 A 12/1970 Rinser  
 D223,138 S 3/1972 Mulholland  
 3,750,605 A \* 8/1973 Warburton ..... A44B 19/406  
 29/410  
 D230,115 S \* 1/1974 Beams ..... D8/394  
 3,815,798 A 6/1974 Lavitch et al.  
 3,875,648 A 4/1975 Bone  
 3,893,612 A 7/1975 Bone  
 3,895,753 A 7/1975 Bone  
 3,900,925 A 8/1975 LaTorraca  
 3,990,619 A 11/1976 Russell  
 D243,365 S \* 2/1977 Cross ..... D24/135  
 D251,771 S \* 5/1979 Tritton ..... D8/382  
 4,187,970 A 2/1980 Furutu  
 4,296,698 A 10/1981 Davidson et al.  
 4,333,596 A 6/1982 Kunreuther  
 4,417,682 A 11/1983 Furutsu  
 4,423,837 A 1/1984 Clements  
 D273,171 S 3/1984 Bone  
 4,455,858 A 6/1984 Hettich  
 4,456,162 A 6/1984 Furutsu  
 4,482,088 A 11/1984 Hyun  
 4,492,330 A 1/1985 Furutsu  
 4,664,306 A 5/1987 Levy  
 4,693,248 A \* 9/1987 Failla ..... A61B 17/0643  
 411/339  
 4,838,469 A 6/1989 Strausburg  
 4,923,106 A 5/1990 Furutsu  
 5,020,713 A 6/1991 Kunreuther  
 5,074,452 A 12/1991 Bone  
 D327,398 S 6/1992 Meyers  
 D333,415 S 2/1993 Furutsu  
 5,188,912 A 2/1993 Katoh  
 5,205,458 A 4/1993 Kunreuther  
 D340,850 S 11/1993 Tang  
 5,305,939 A 4/1994 Deschenes et al.  
 5,307,975 A 5/1994 Deschenes et al.  
 5,383,260 A 1/1995 Deschenes et al.  
 RE34,857 E 2/1995 Kunreuther  
 D362,606 S 9/1995 Deschenes et al.  
 5,447,263 A 9/1995 Tropper et al.  
 D364,337 S 11/1995 Deschenes et al.  
 D365,003 S 12/1995 Davignon et al.  
 D366,608 S 1/1996 Deschenes et al.  
 5,495,974 A 3/1996 Deschenes et al.  
 5,518,162 A 5/1996 Deschenes et al.  
 5,622,257 A 4/1997 Deschenes et al.  
 5,671,507 A \* 9/1997 Deschenes ..... A44B 1/185  
 24/114.7  
 5,678,747 A 10/1997 Kunreuther et al.  
 5,715,984 A 2/1998 Deschenes  
 5,810,238 A 9/1998 Kunreuther  
 5,813,589 A 9/1998 Kim  
 5,826,775 A 10/1998 Mooney et al.  
 D402,540 S \* 12/1998 Stridh ..... D8/390  
 5,938,024 A 8/1999 Deschenes et al.  
 5,954,242 A 9/1999 Deschenes et al.  
 D415,953 S \* 11/1999 Huang ..... D8/382  
 5,975,398 A 11/1999 Evans  
 6,055,716 A \* 5/2000 Ayres ..... A47C 31/06  
 227/136  
 6,126,056 A 10/2000 Ueno et al.  
 D434,630 S 12/2000 Oliver et al.  
 6,267,285 B1 7/2001 Raymond et al.  
 6,267,286 B1 7/2001 Deschenes et al.  
 6,418,597 B1 7/2002 Deschenes et al.  
 6,427,895 B1 8/2002 Deschenes

6,638,297 B1 \* 10/2003 Huitema ..... A61B 17/0644  
 606/213  
 6,685,077 B1 2/2004 Davignon et al.  
 D522,330 S 6/2006 Arnold et al.  
 D590,685 S 4/2009 Sterling  
 D596,007 S 7/2009 Price et al.  
 8,316,529 B2 1/2012 Davis et al.  
 8,381,958 B2 2/2013 Lussier et al.  
 D696,576 S \* 12/2013 Ng ..... D8/394  
 9,271,726 B2 \* 3/2016 Euteneuer ..... A61B 17/0642  
 D808,253 S \* 1/2018 Daniels ..... D8/382  
 D895,113 S \* 9/2020 Blair ..... D24/145  
 D914,491 S \* 3/2021 Daniels ..... D8/382  
 2005/0125958 A1 6/2005 Deschenes et al.  
 2013/0167356 A1 \* 7/2013 Hagie ..... F16G 3/003  
 29/432  
 2016/0135808 A1 \* 5/2016 Anderson ..... A61B 17/0644  
 606/219

FOREIGN PATENT DOCUMENTS

CN 301719092 \* 4/2011  
 CN 203158329 8/2013  
 DE 3625481 2/1988  
 GB 4006092 \* 2/2008  
 GB 6014567 \* 6/2017  
 JP 06171632 6/1994  
 JP D1380076 \* 1/2010  
 JP D1455928 \* 10/2012  
 WO 98/21990 5/1998

OTHER PUBLICATIONS

SeeRaphee, 304 Stainless Steel U Bolt Set Marine Boat Deck Hardware M8x100, Date first available May 23, 2018, [online] retrieved Dec. 28, 2020, available from internet, [https://www.amazon.com/Stainless-Steel-Marine-Hardware-M8x100/dp/B07D7TYRGX/ref=sr\\_1\\_20\\_sspa?dchild=1&keywords=u+shaped+fasteners&qid=2018](https://www.amazon.com/Stainless-Steel-Marine-Hardware-M8x100/dp/B07D7TYRGX/ref=sr_1_20_sspa?dchild=1&keywords=u+shaped+fasteners&qid=2018).\*  
 Unistrut, Genuine Unistrut Brand P1047-EG 5 Hole“U” Shaped Connector Bracket, Date first available Feb. 7, 2014, [online]retrieved Dec. 28, 2020, available from internet, [https://www.amazon.com/Genuine-Unistrut-P1047-EG-Connector-Bracket/dp/B00IASG7BA/ref=sr\\_1\\_45?dchild=1&keywords=u+shaped+fasteners&\(Year:2014\).](https://www.amazon.com/Genuine-Unistrut-P1047-EG-Connector-Bracket/dp/B00IASG7BA/ref=sr_1_45?dchild=1&keywords=u+shaped+fasteners&(Year:2014).)\*  
 Prime-Line Store, MP7018 Wire Shelf Loop Clip, Date first available Nov. 9, 2017, [online]retrieved Dec. 28, 2020, available from internet, [https://www.amazon.com/Prime-Line-MP7018-Wire-Shelf-Piece/dp/B07793L26V/ref=sr\\_1\\_175?dchild=1&keywords=u+shaped+fasteners&qid=1609280165&sr=8-175](https://www.amazon.com/Prime-Line-MP7018-Wire-Shelf-Piece/dp/B07793L26V/ref=sr_1_175?dchild=1&keywords=u+shaped+fasteners&qid=1609280165&sr=8-175) (Year: 2017).\*  
 Bulk Hardware, BH03720 Galvanised Netting Staple, Date first available Jan. 20, 2017, [online]retrieved Apr. 9, 2021,available from [https://www.amazon.com/Bulk-Hardware-BH03720-Galvanised-Netting/dp/B01BHQPKA/ref=sr\\_1\\_45?dchild=1&keywords=u+shaped+fasteners&qid=1617974810&sr=8-45](https://www.amazon.com/Bulk-Hardware-BH03720-Galvanised-Netting/dp/B01BHQPKA/ref=sr_1_45?dchild=1&keywords=u+shaped+fasteners&qid=1617974810&sr=8-45) (Year: 2017).\*  
 Harris Hardware, TP1756 2 Ear Wall Bracket, Date first available Oct. 18, 2019, [online]retrieved Apr. 9, 2021,available from [https://www.amazon.com/Harris-Hardware-TP1756-Bracket-Chrome/dp/B07MFW7ZZZ/ref=pd\\_sbs\\_9?pd\\_rd\\_w=DKGPr&pf\\_rd\\_p=2419a049-62bf-452e-b0d0-ca5b7e35a7b4&pf\\_rd\\_r=3ESC62KWG8PNKFVPMRD&](https://www.amazon.com/Harris-Hardware-TP1756-Bracket-Chrome/dp/B07MFW7ZZZ/ref=pd_sbs_9?pd_rd_w=DKGPr&pf_rd_p=2419a049-62bf-452e-b0d0-ca5b7e35a7b4&pf_rd_r=3ESC62KWG8PNKFVPMRD&) (Year: 2019).\*  
 Unistrut, P1047-EG 5 Hole“U” Shaped Connector Bracket, Date first available Feb. 7, 2014, [online]retrieved Apr. 9, 2021, available from [https://www.amazon.com/Genuine-Unistrut-P1047-EG-Connector-Bracket/dp/B00IASG7BA/ref=sr\\_1\\_56?dchild=1&keywords=u+shaped+CLAMP&qid=1617981030&sr=8-56](https://www.amazon.com/Genuine-Unistrut-P1047-EG-Connector-Bracket/dp/B00IASG7BA/ref=sr_1_56?dchild=1&keywords=u+shaped+CLAMP&qid=1617981030&sr=8-56) (Year: 2014).\*  
 International Search Report and Written Opinion dated Aug. 3, 2020 issued in corresponding IA No. PCT/US2020/027185 filed Apr. 8, 2020.

\* cited by examiner

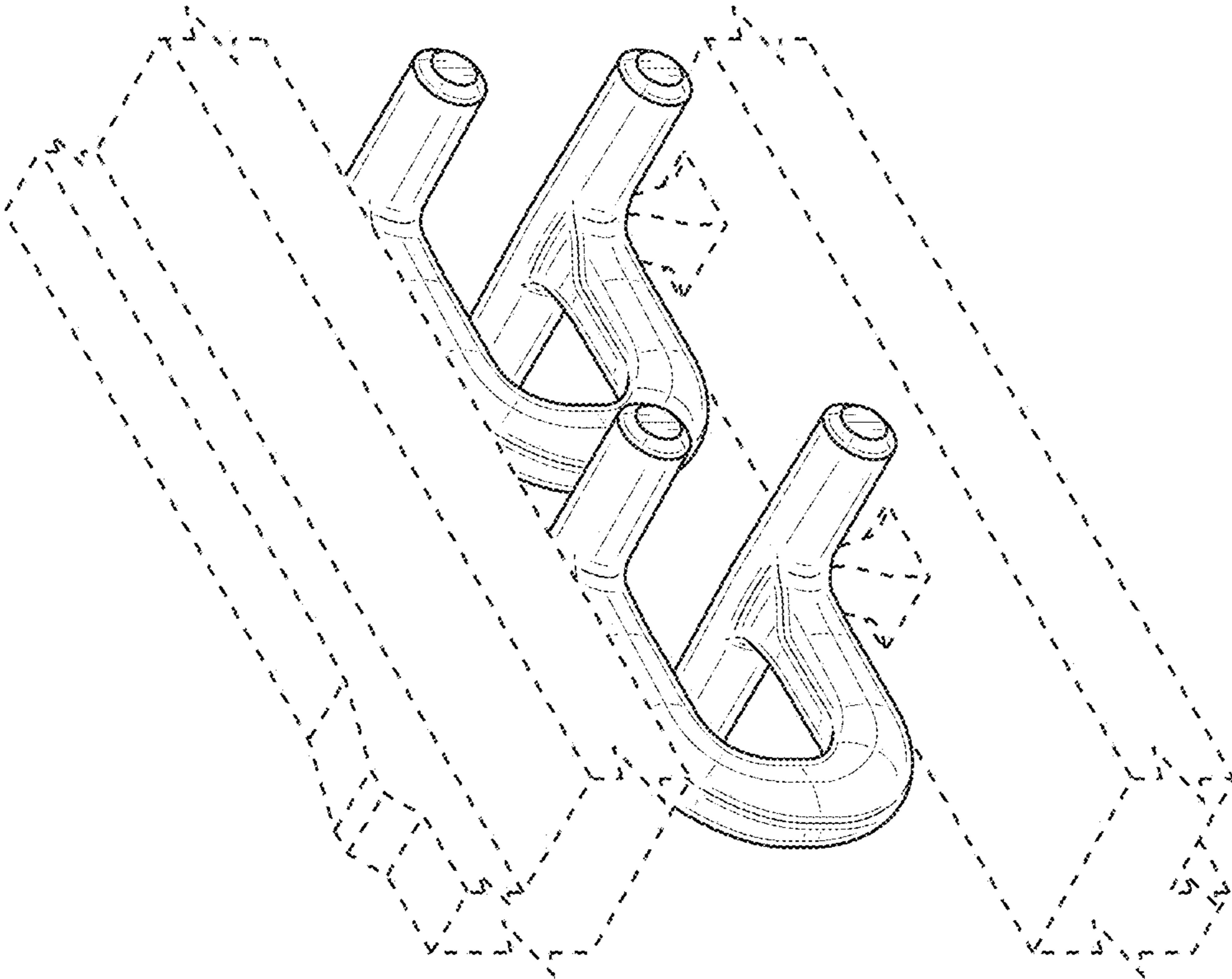


FIG. 1

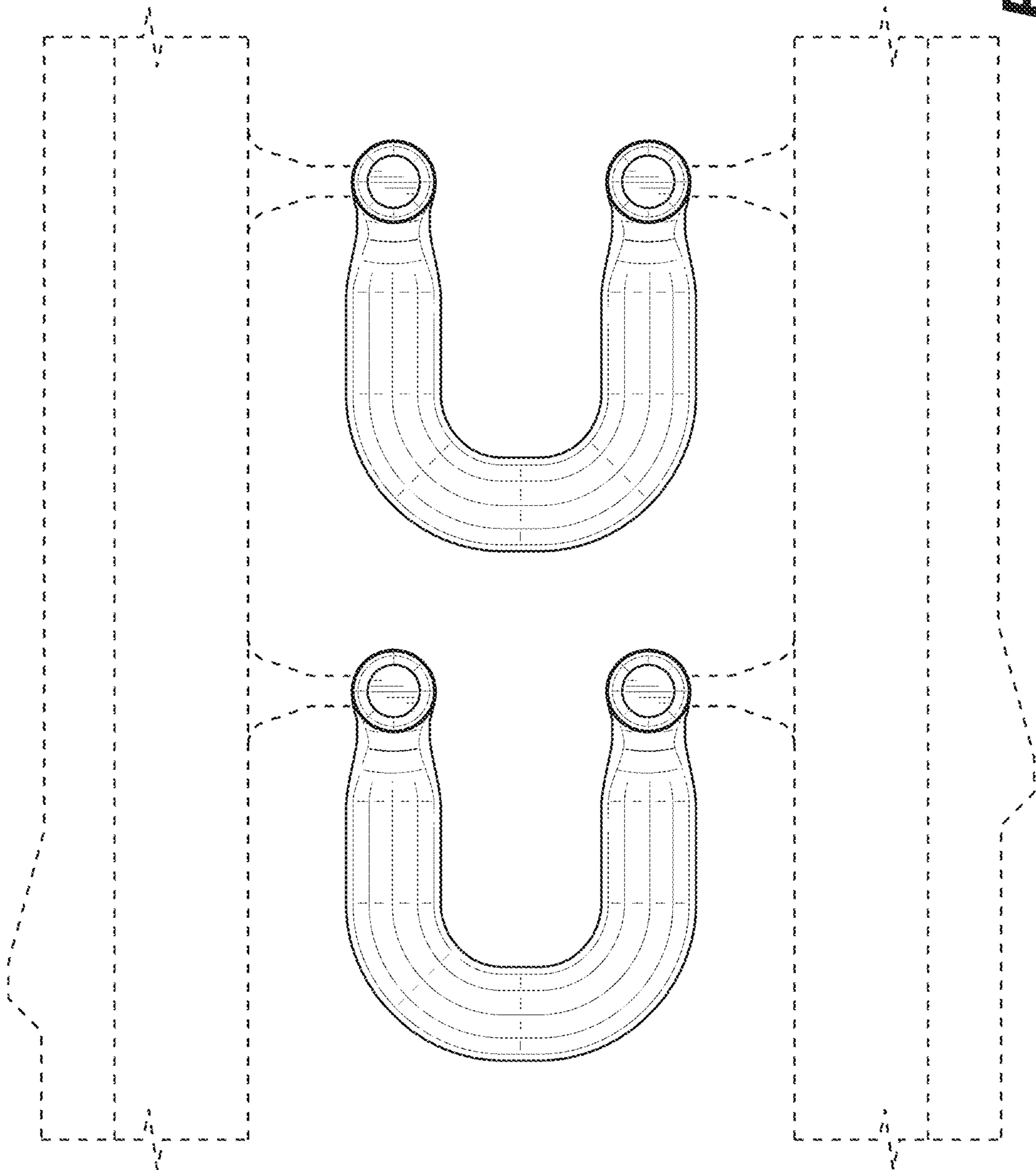


FIG. 2

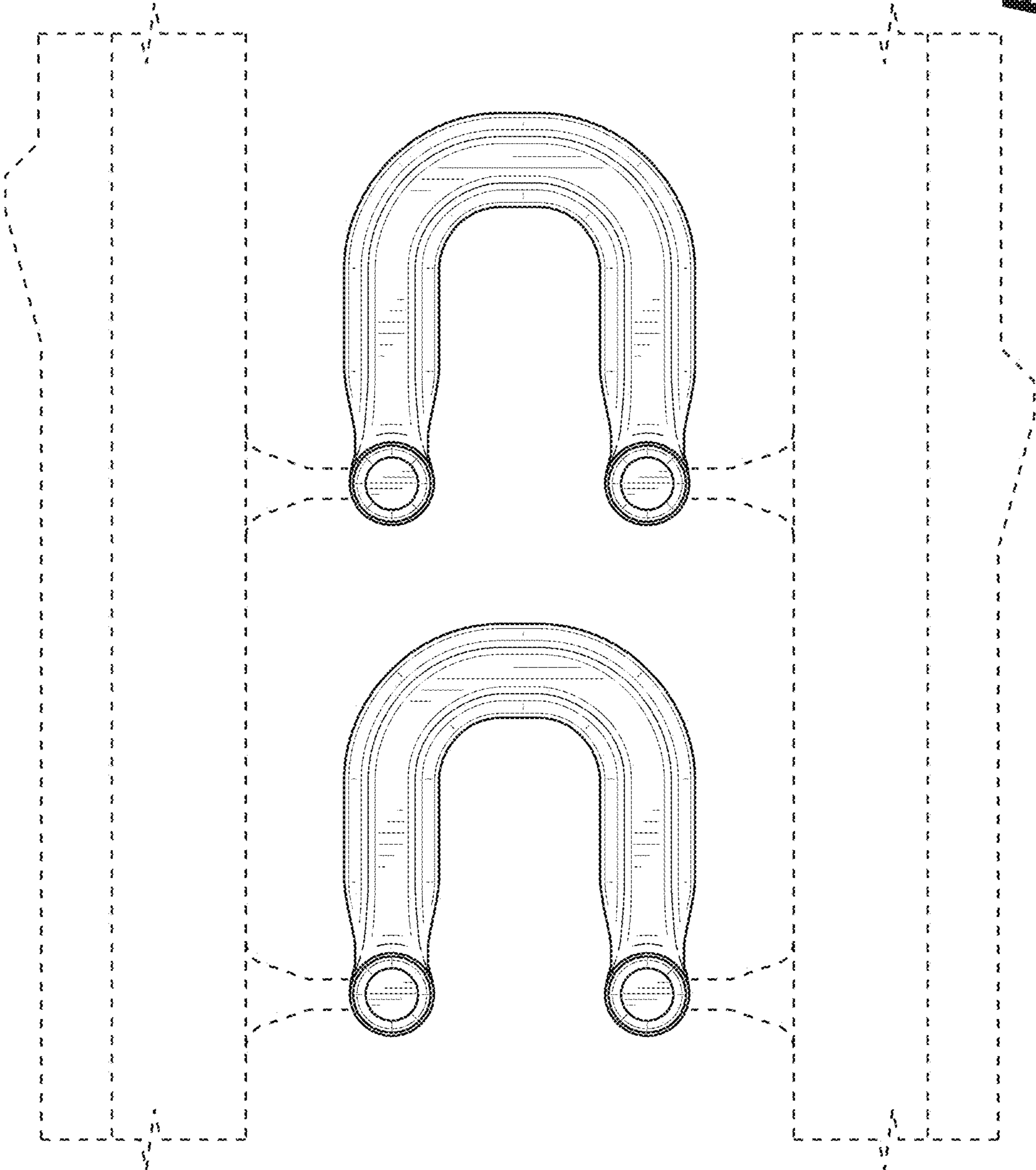
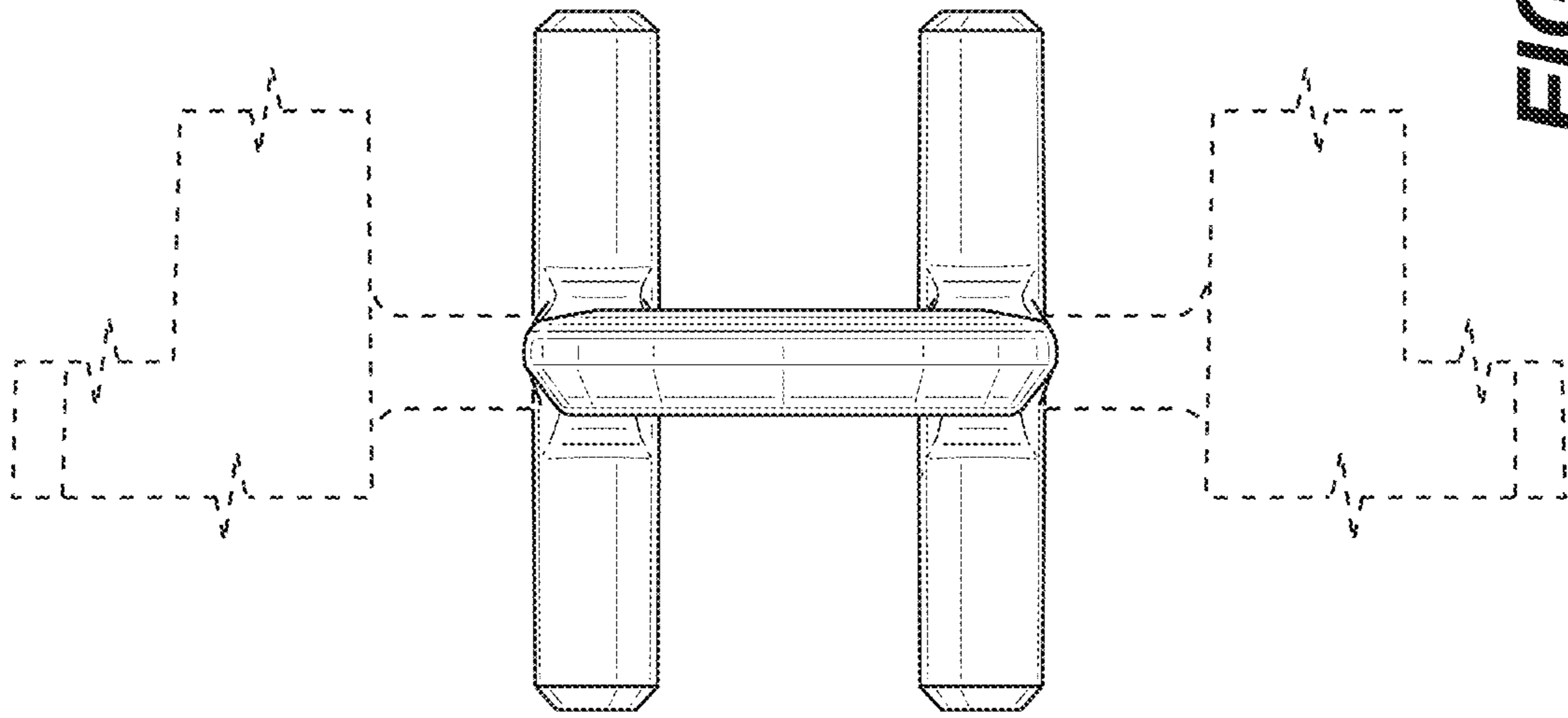
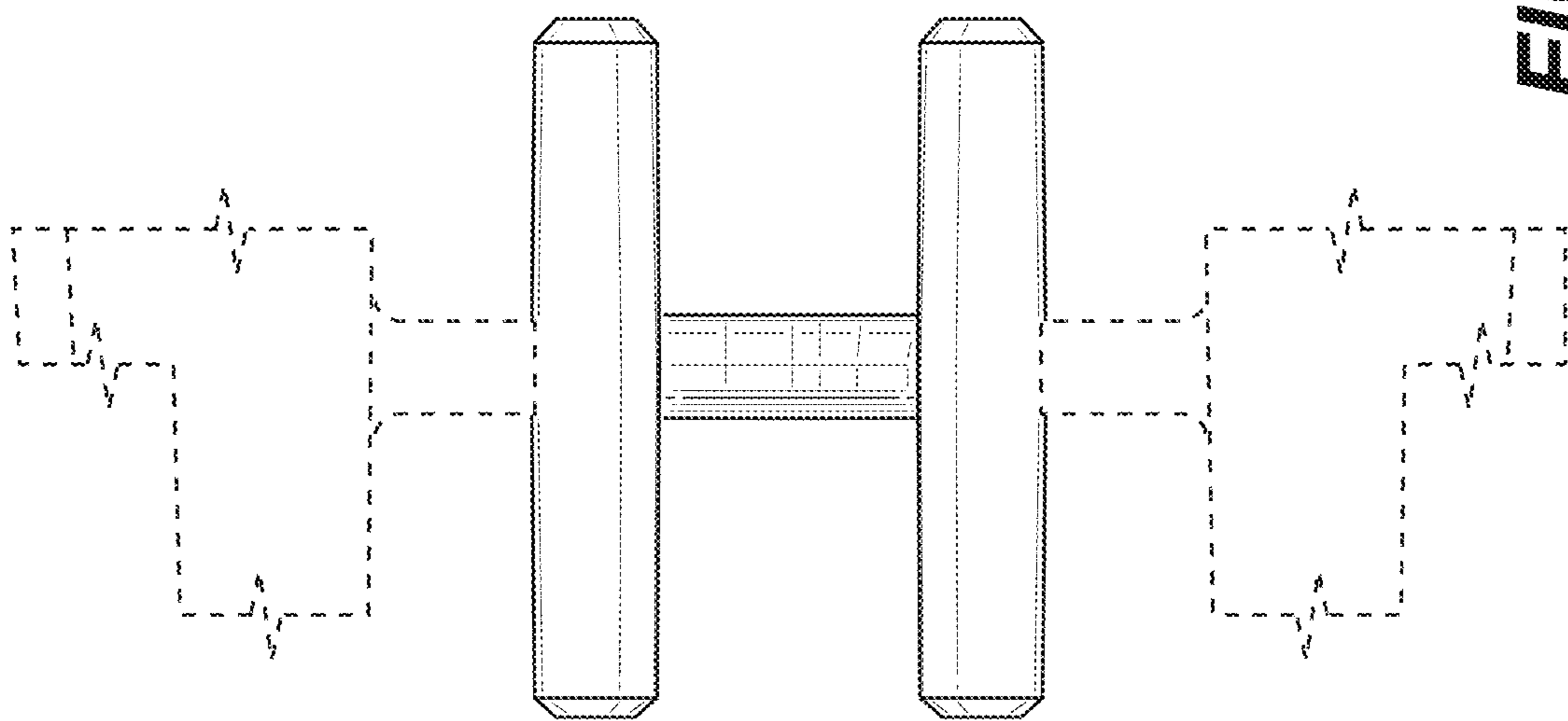


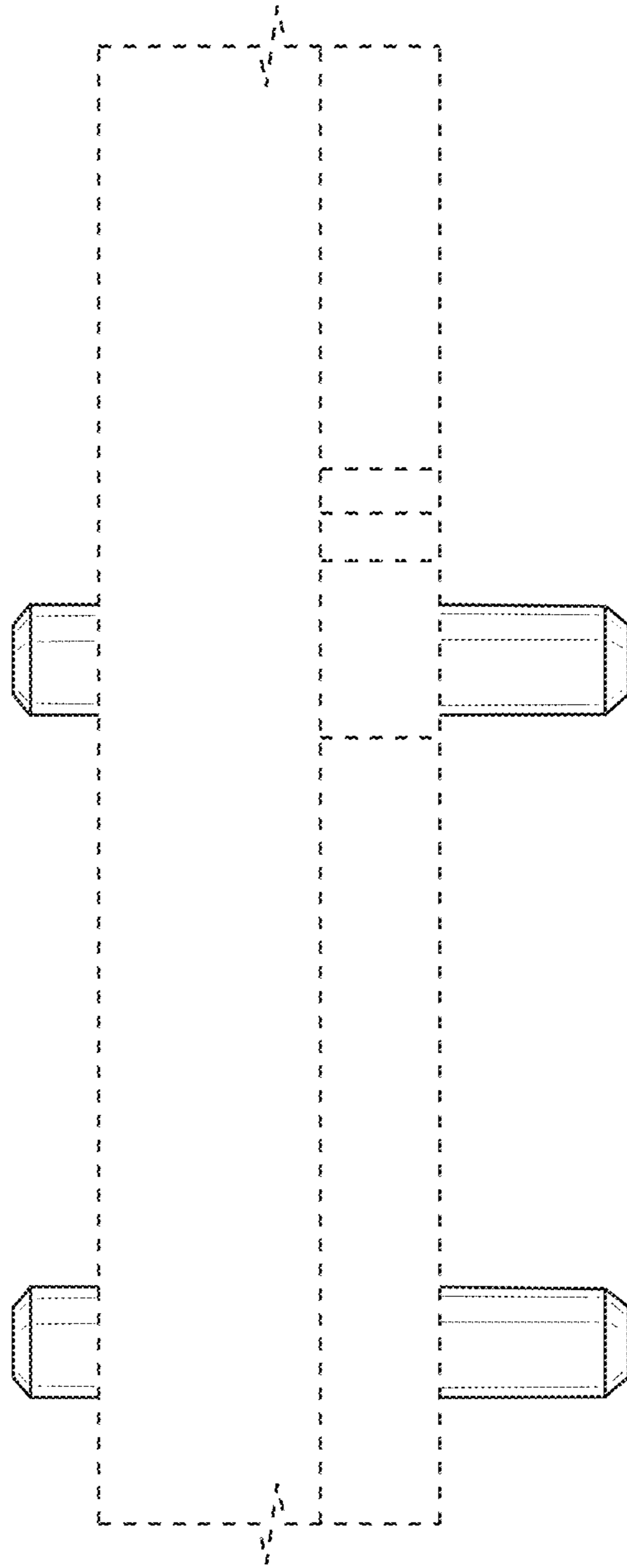
FIG. 3



**FIG. 4**

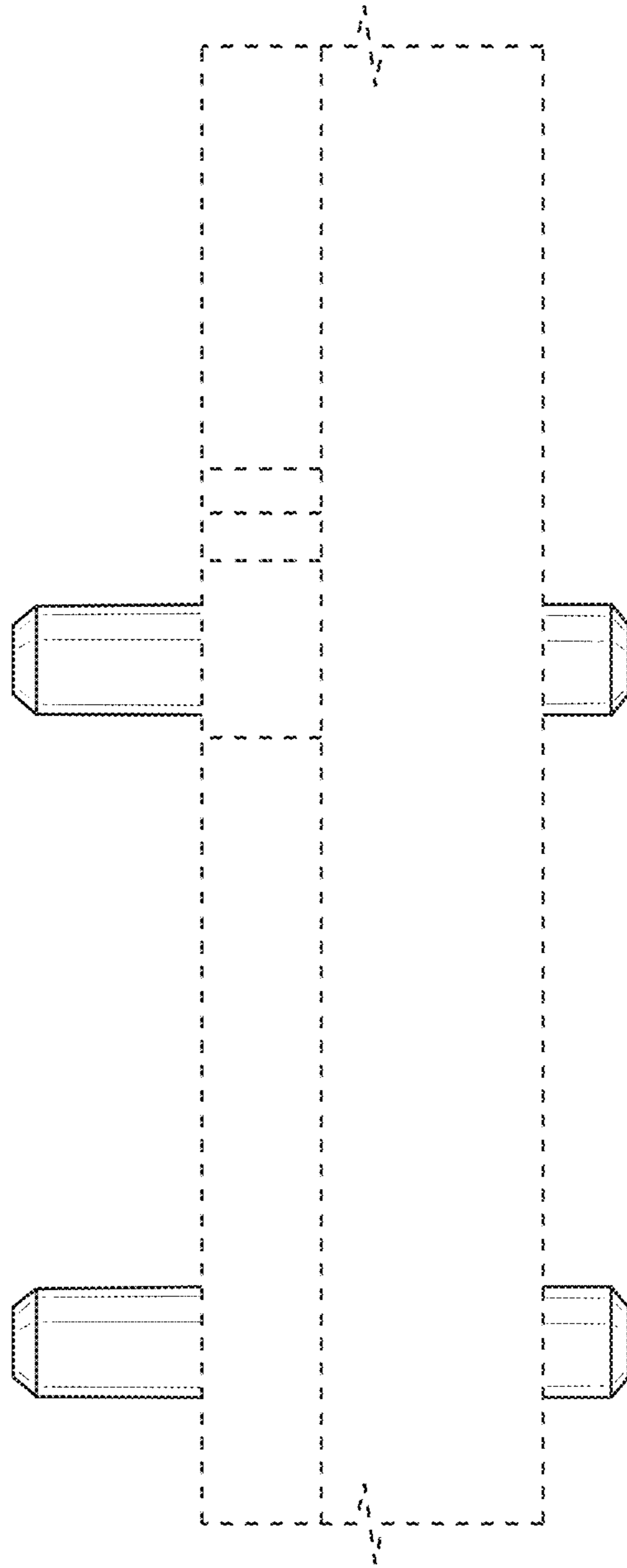


**FIG. 5**



**FIG. 6**





**FIG. 7**