



US00D936466S

(12) **United States Design Patent**
Hozumi et al.

(10) **Patent No.:** **US D936,466 S**

(45) **Date of Patent:** **** Nov. 23, 2021**

(54) **CASTER**

(71) Applicant: **HAMMER CASTER Co., Ltd.**, Osaka (JP)

(72) Inventors: **Mitsunobu Hozumi**, Kobe (JP); **Ryo Shimizu**, Suita (JP)

(73) Assignee: **HAMMER CASTER CO., LTD.**, Osaka (JP)

(**) Term: **15 Years**

(21) Appl. No.: **29/665,578**

(22) Filed: **Oct. 4, 2018**

(30) **Foreign Application Priority Data**

Apr. 9, 2018 (JP) 2018-007758
Apr. 9, 2018 (JP) 2018-007759

(51) **LOC (13) Cl.** **08-05**

(52) **U.S. Cl.**
USPC **D8/375**

(58) **Field of Classification Search**
USPC D8/354, 366, 371, 372, 367, 374, 373, D8/376, 375
CPC B60B 33/0028; B60B 33/001; B60B 33/0073; B60B 33/0049; B60B 33/0057; B60B 33/0002; B60B 33/0068; B60B 33/0039; B60B 33/0021; A47C 7/006
See application file for complete search history.

(56) **References Cited**

U.S. PATENT DOCUMENTS

D239,433 S * 4/1976 Sugawara D8/375
7,647,673 B2 * 1/2010 Melara B60B 33/001
16/35 R
D766,073 S * 9/2016 Hozumi D8/375
9,630,450 B1 * 4/2017 Chang B60B 33/0039
D804,939 S * 12/2017 Starck D8/375
10,059,148 B2 * 8/2018 Lai B60B 33/0047

(Continued)

OTHER PUBLICATIONS

U.S. Appl. No. 29/665,577, filed Oct. 4, 2018, Hozumi et al.
U.S. Appl. No. 29/665,583, filed Oct. 4, 2018, Hozumi et al.

Primary Examiner — Eliza Z Bennett-Hattan
(74) *Attorney, Agent, or Firm* — Nixon & Vanderhye P.C.

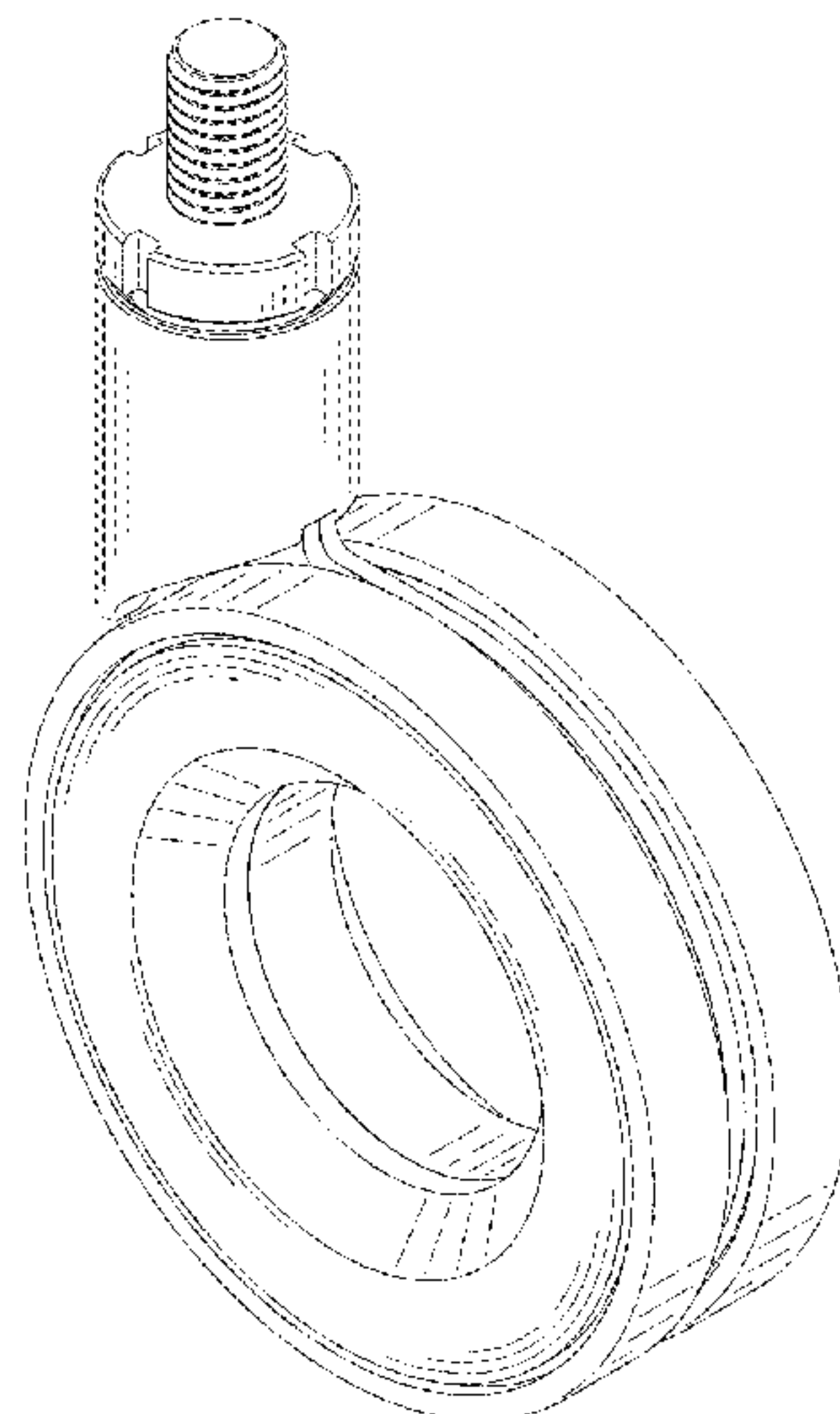
(57) **CLAIM**

The ornamental design for a caster, as shown and described.

DESCRIPTION

FIG. 1 is a perspective view 1 of a first embodiment of a caster showing our new design;
FIG. 2 is a perspective view 2 thereof;
FIG. 3 is a front view thereof;
FIG. 4 is a back view thereof;
FIG. 5 is a top view thereof;
FIG. 6 is a bottom view thereof;
FIG. 7 is a right view thereof;
FIG. 8 is a left view thereof;
FIG. 9 is an enlarged sectional view thereof indicated in FIG. 3;
FIG. 10 is an enlarged sectional view thereof indicated in FIG. 5;
FIG. 11 is a perspective view 1 of a second embodiment of a caster showing our new design;
FIG. 12 is a perspective view 2 thereof;
FIG. 13 is a front view thereof;
FIG. 14 is a back view thereof;
FIG. 15 is a top view thereof;
FIG. 16 is a bottom view thereof;
FIG. 17 is a right view thereof;
FIG. 18 is a left view thereof;
FIG. 19 is an enlarged sectional view thereof indicated in FIG. 13; and,
FIG. 20 is an enlarged sectional view thereof indicated in FIG. 15.

1 Claim, 20 Drawing Sheets



(56)

References Cited

U.S. PATENT DOCUMENTS

2002/0178539 A1* 12/2002 Donakowski B60B 33/0057
16/18 R
2009/0193621 A1* 8/2009 Melara B60B 33/0028
16/35 R
2011/0296649 A1* 12/2011 Hozumi F16C 13/006
16/48

* cited by examiner

Fig.1

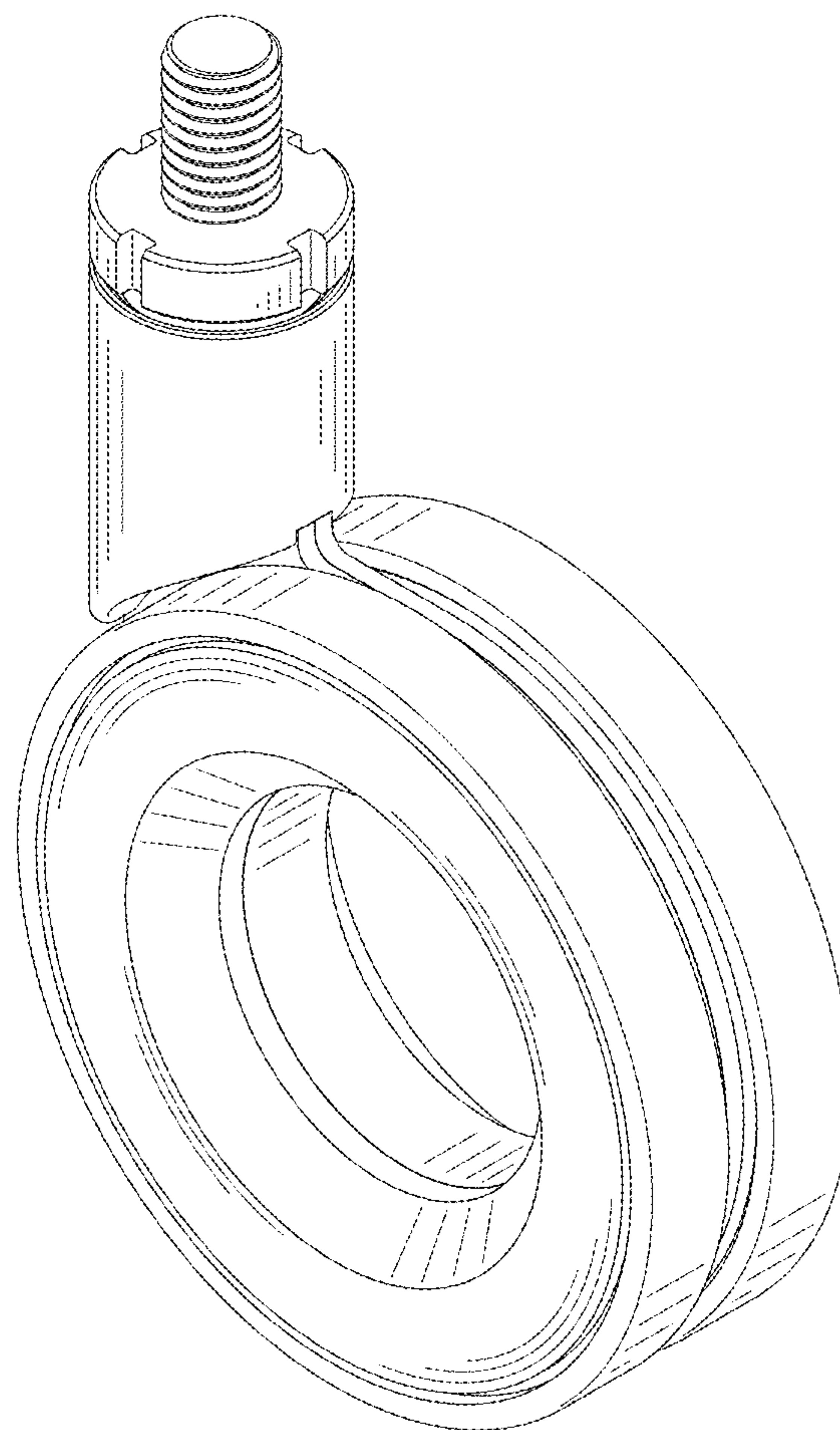


Fig. 2

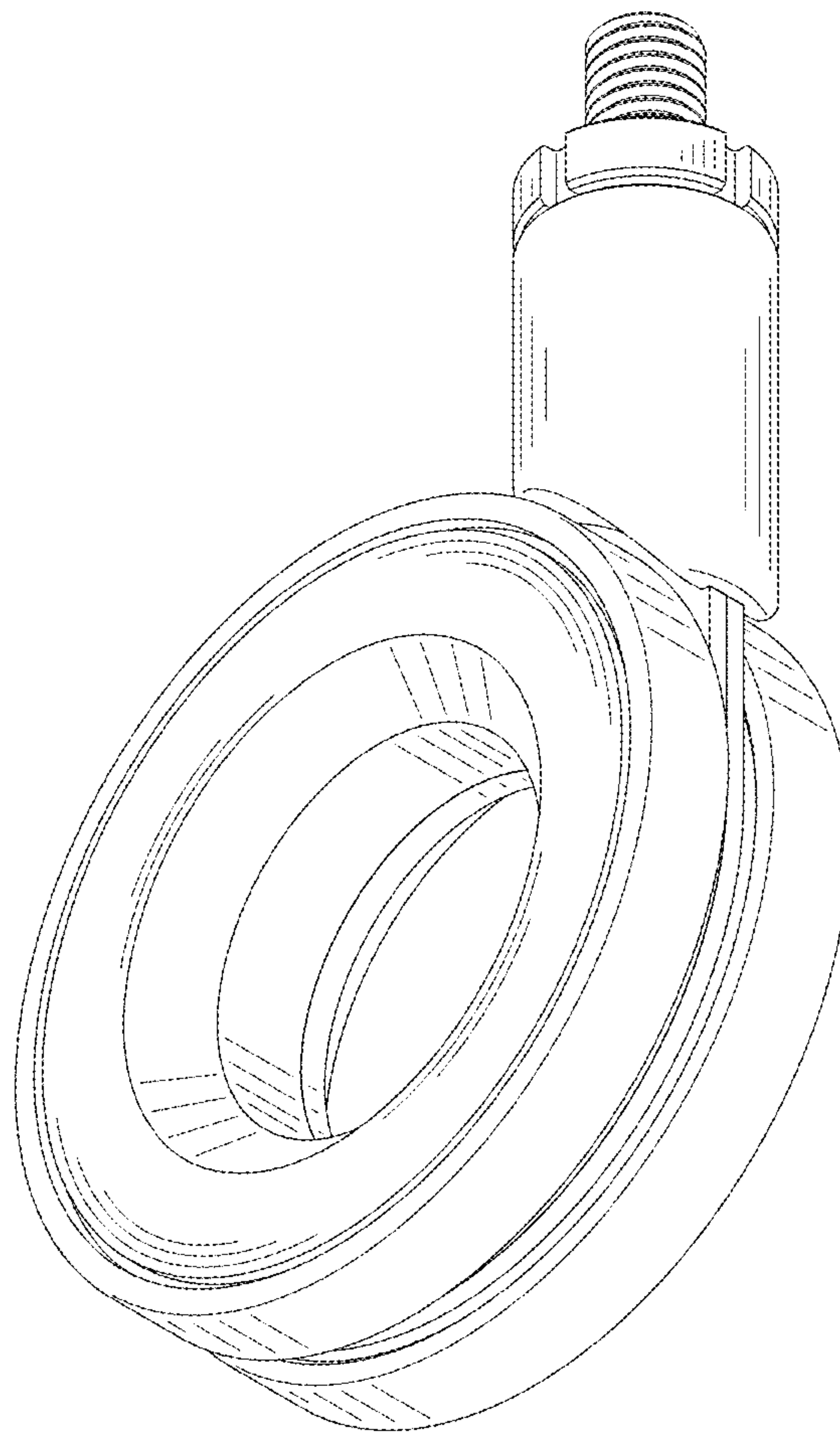


Fig. 3

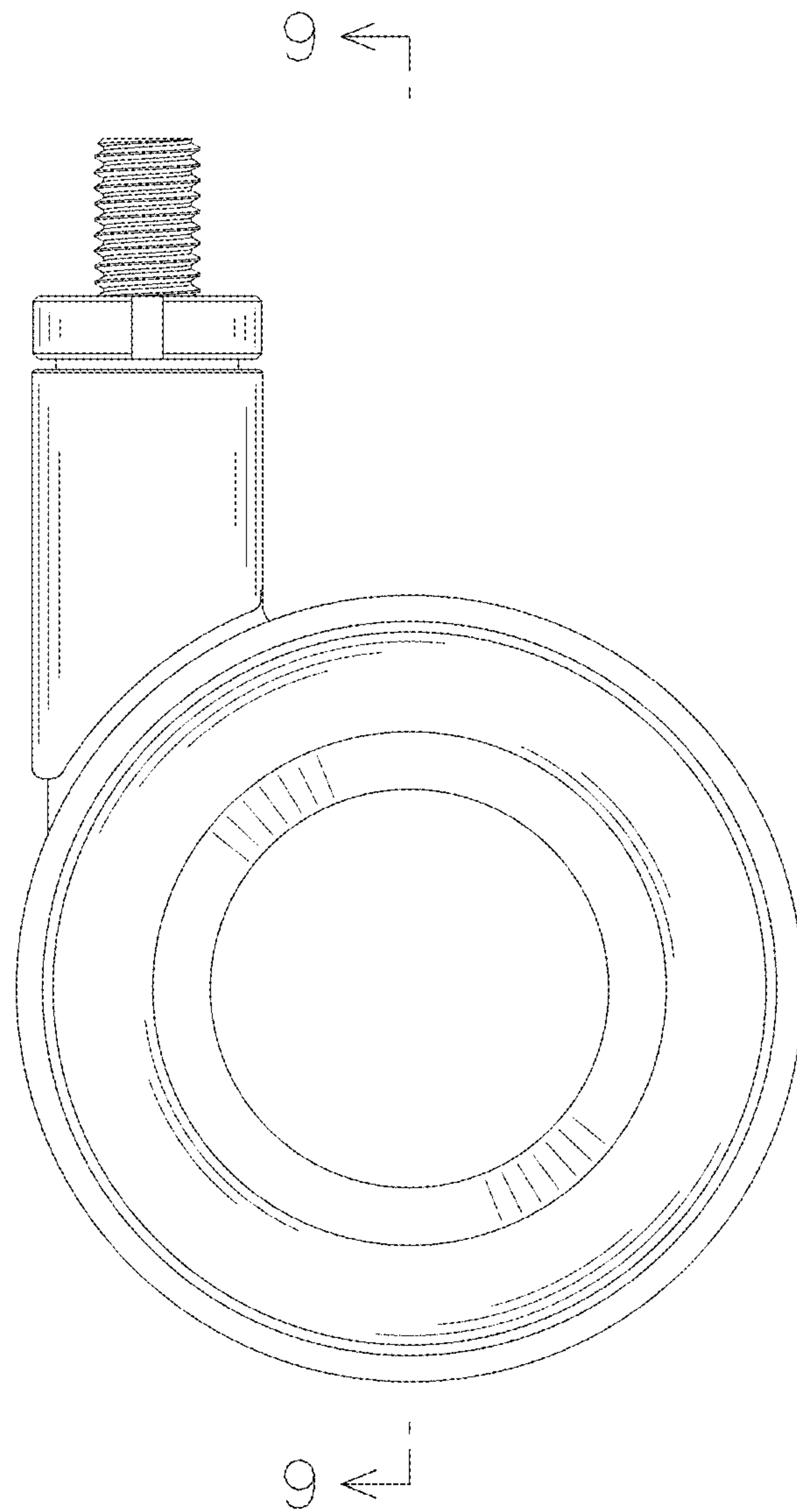


Fig. 4

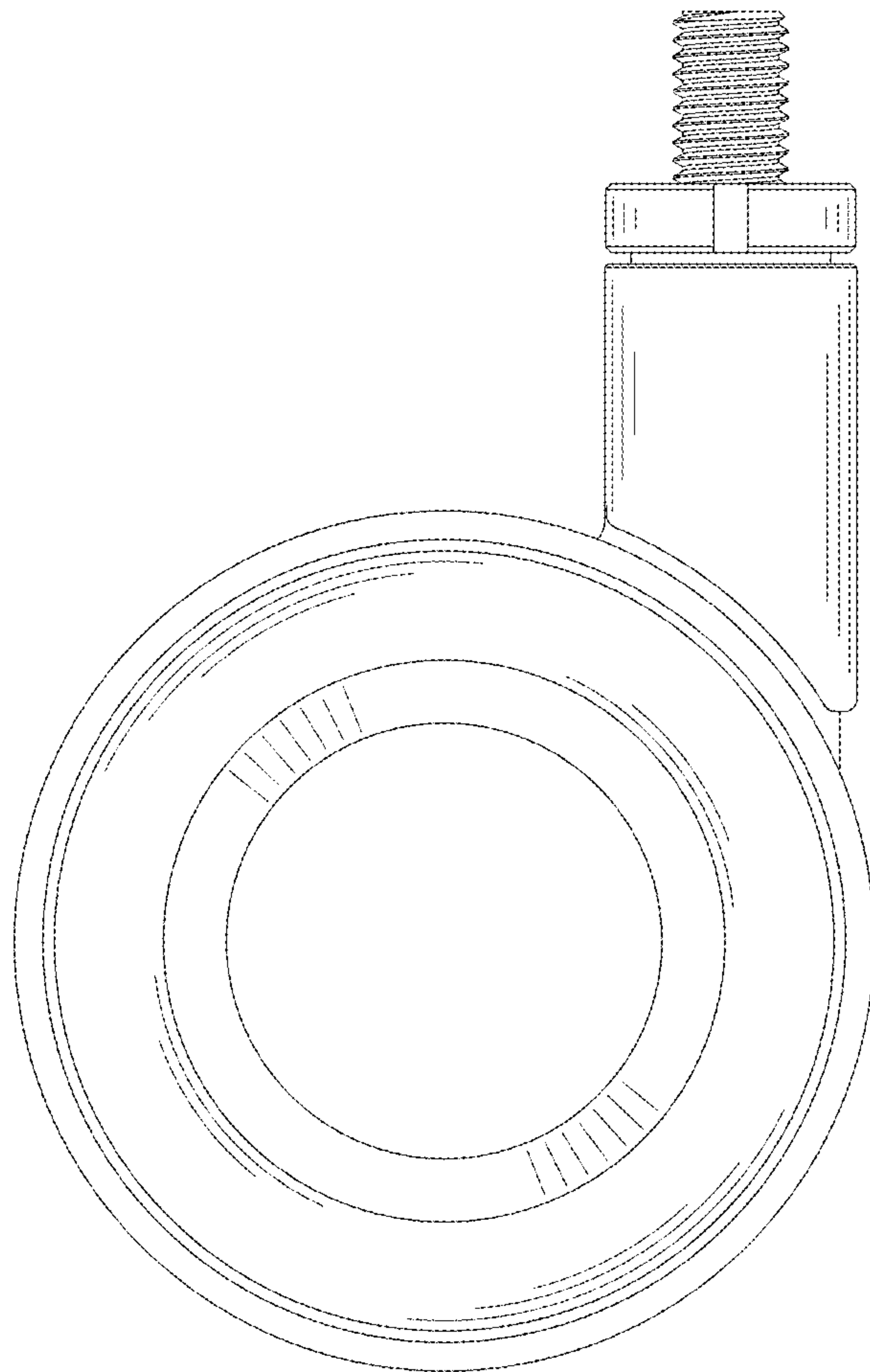


Fig. 5

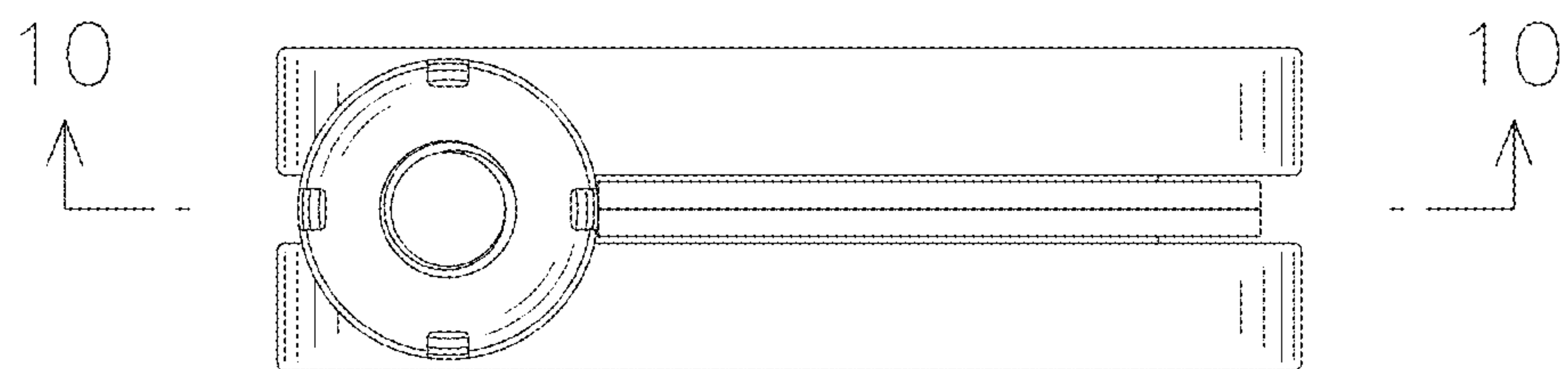


Fig. 6

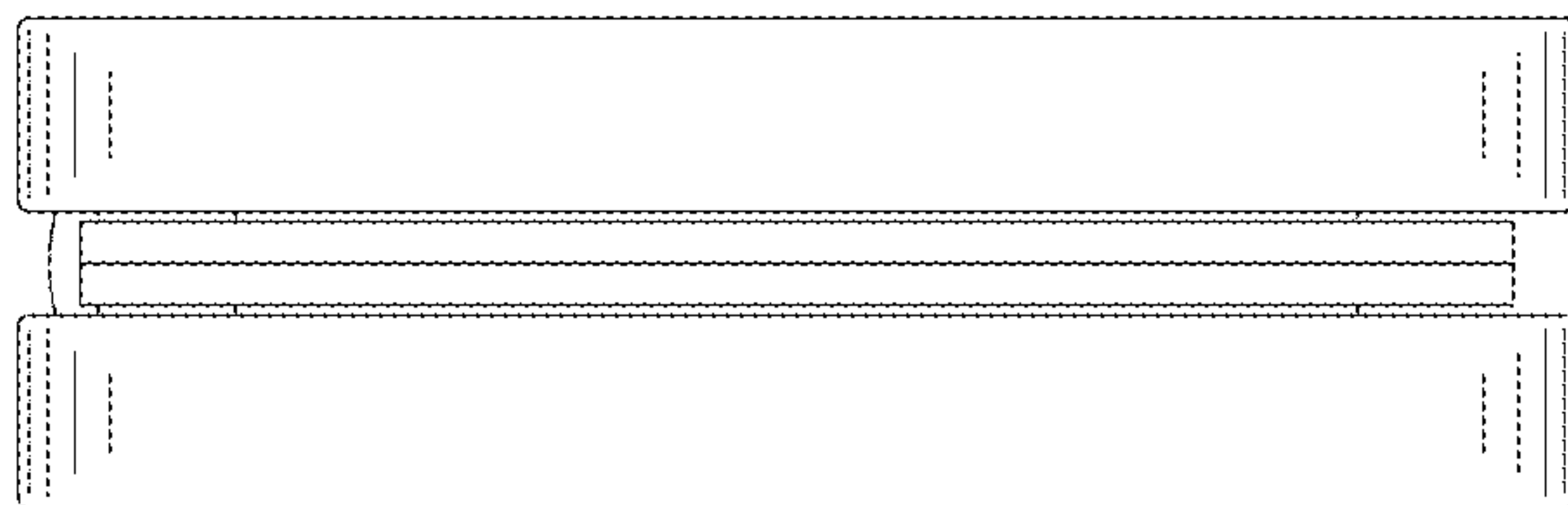


Fig. 7

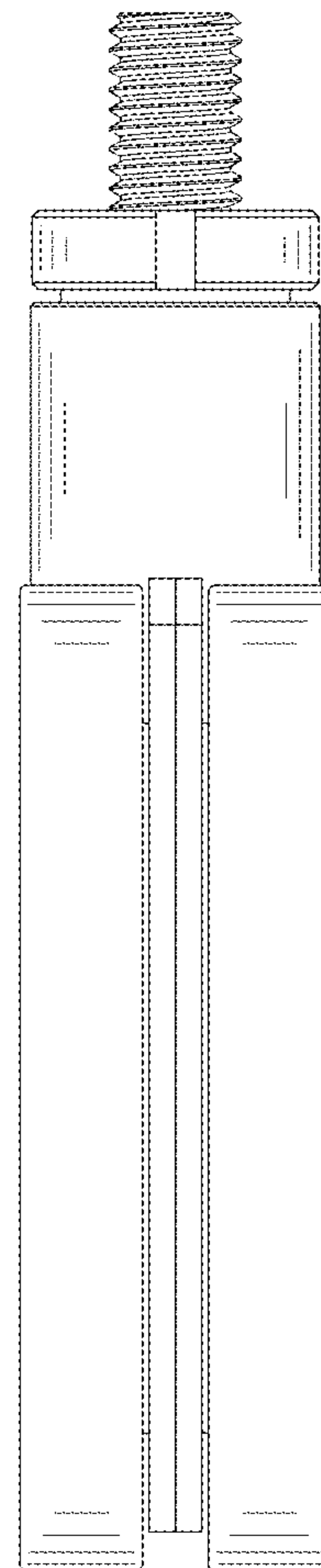


Fig. 8

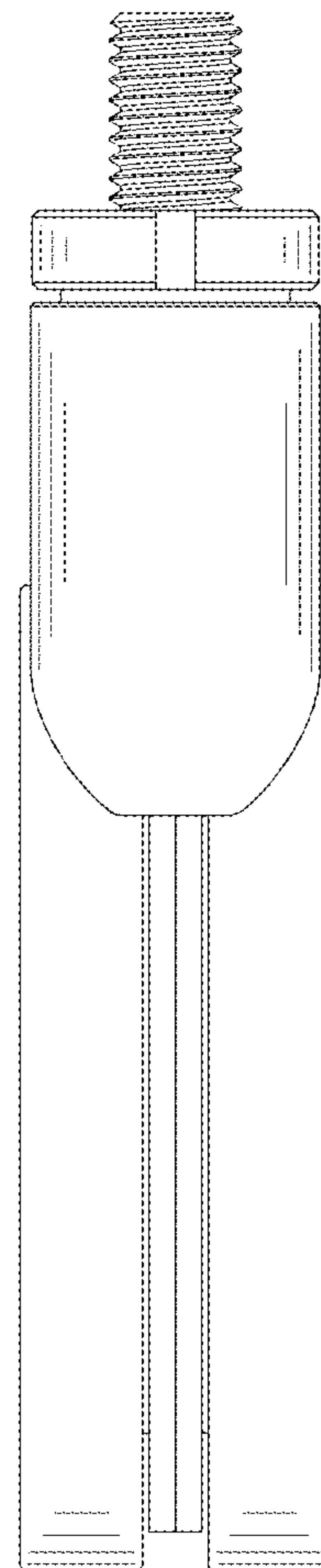


Fig. 9

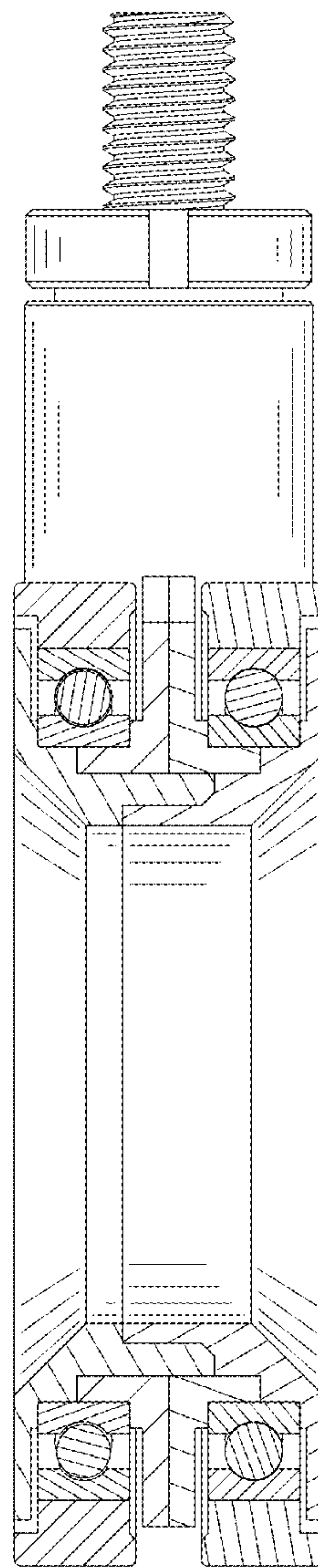


Fig.10

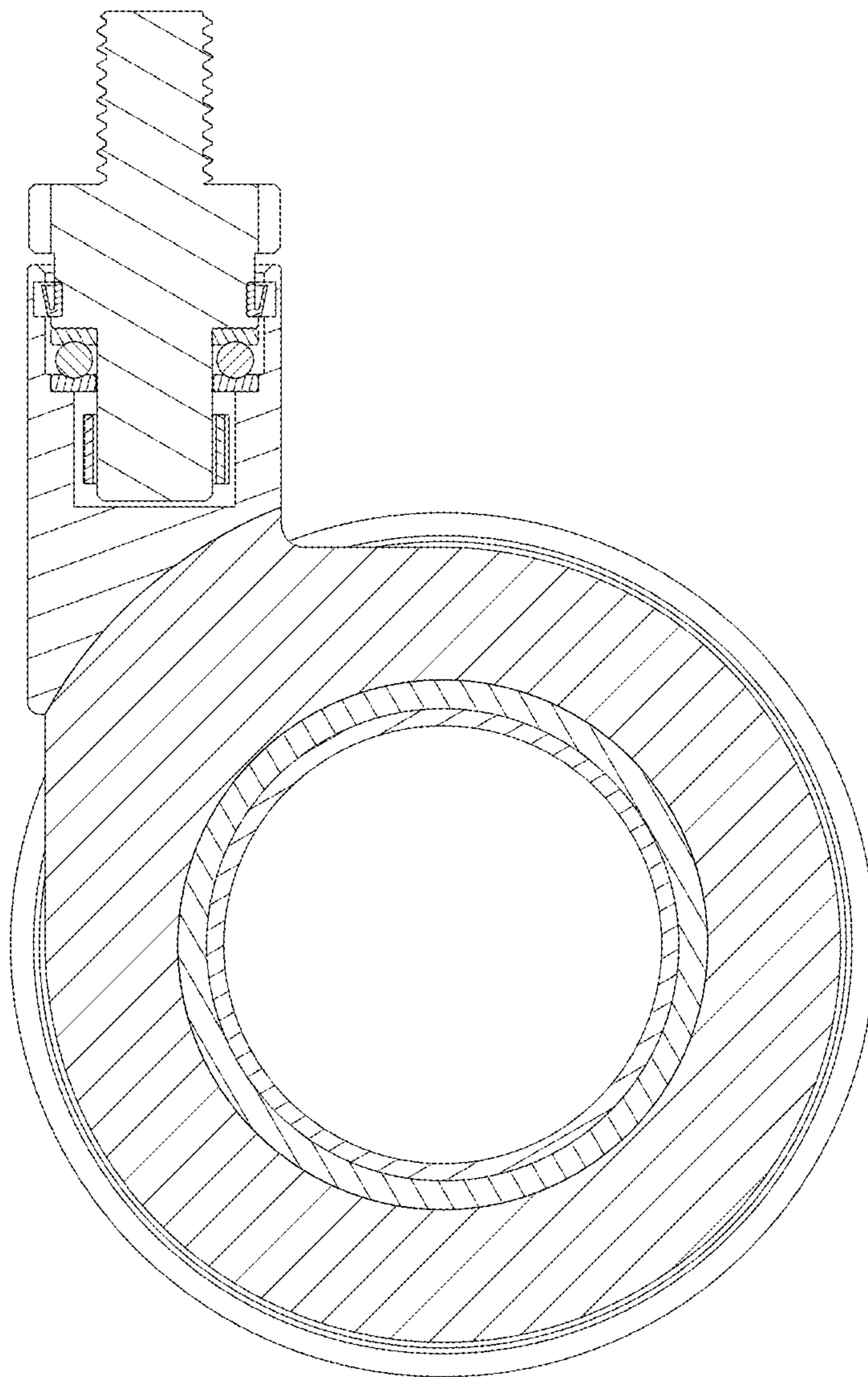


Fig.11

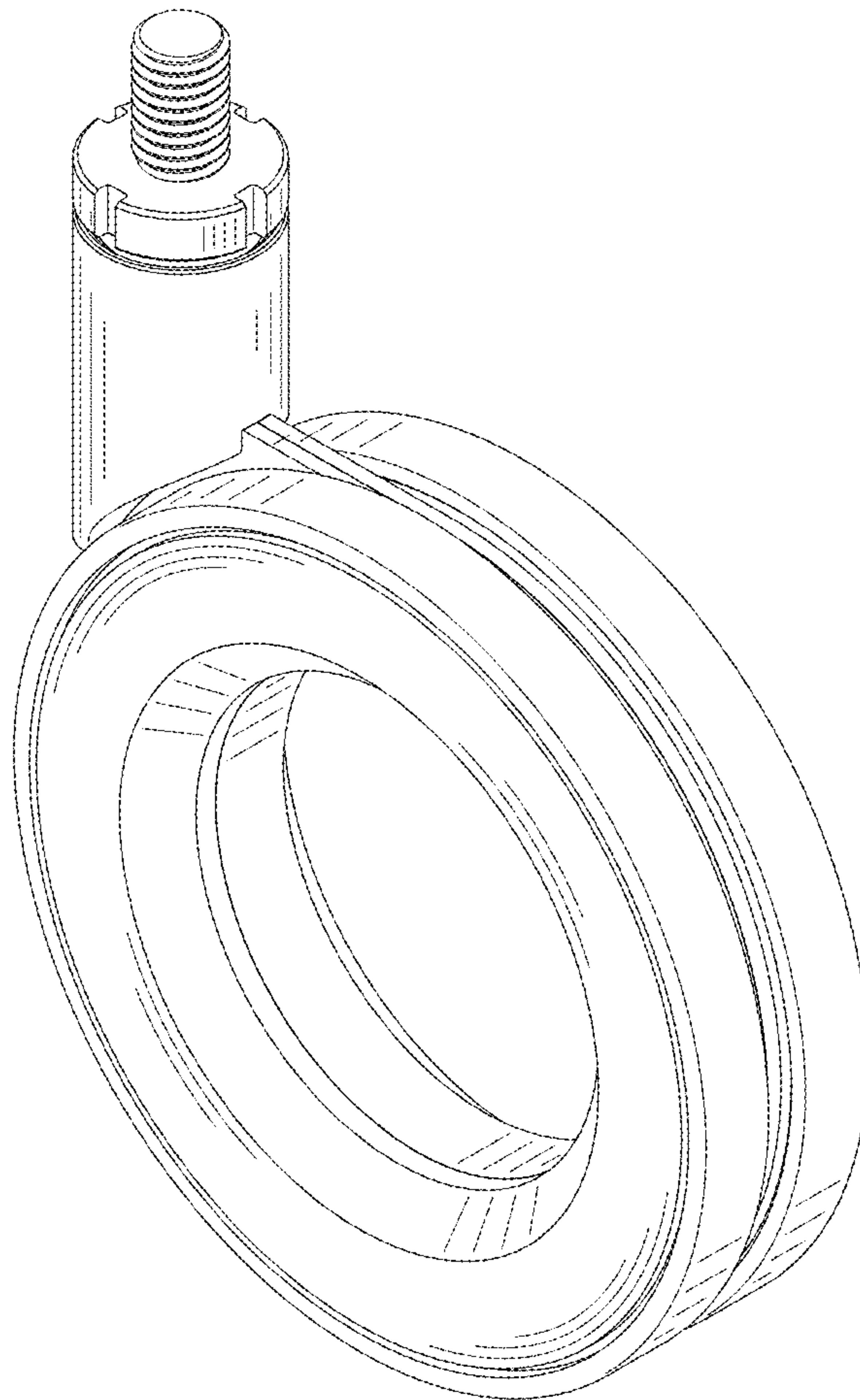


Fig.12

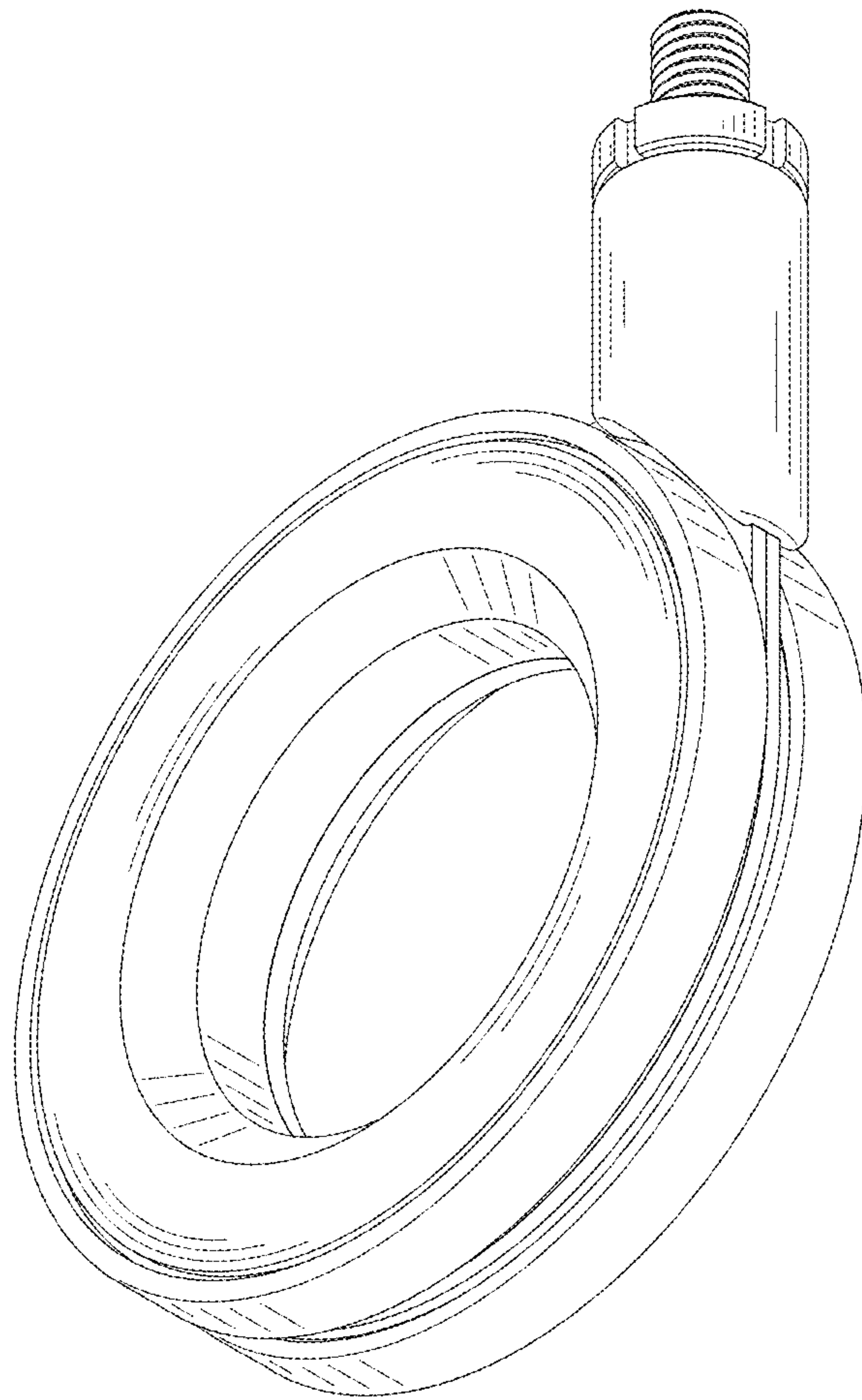


Fig.13

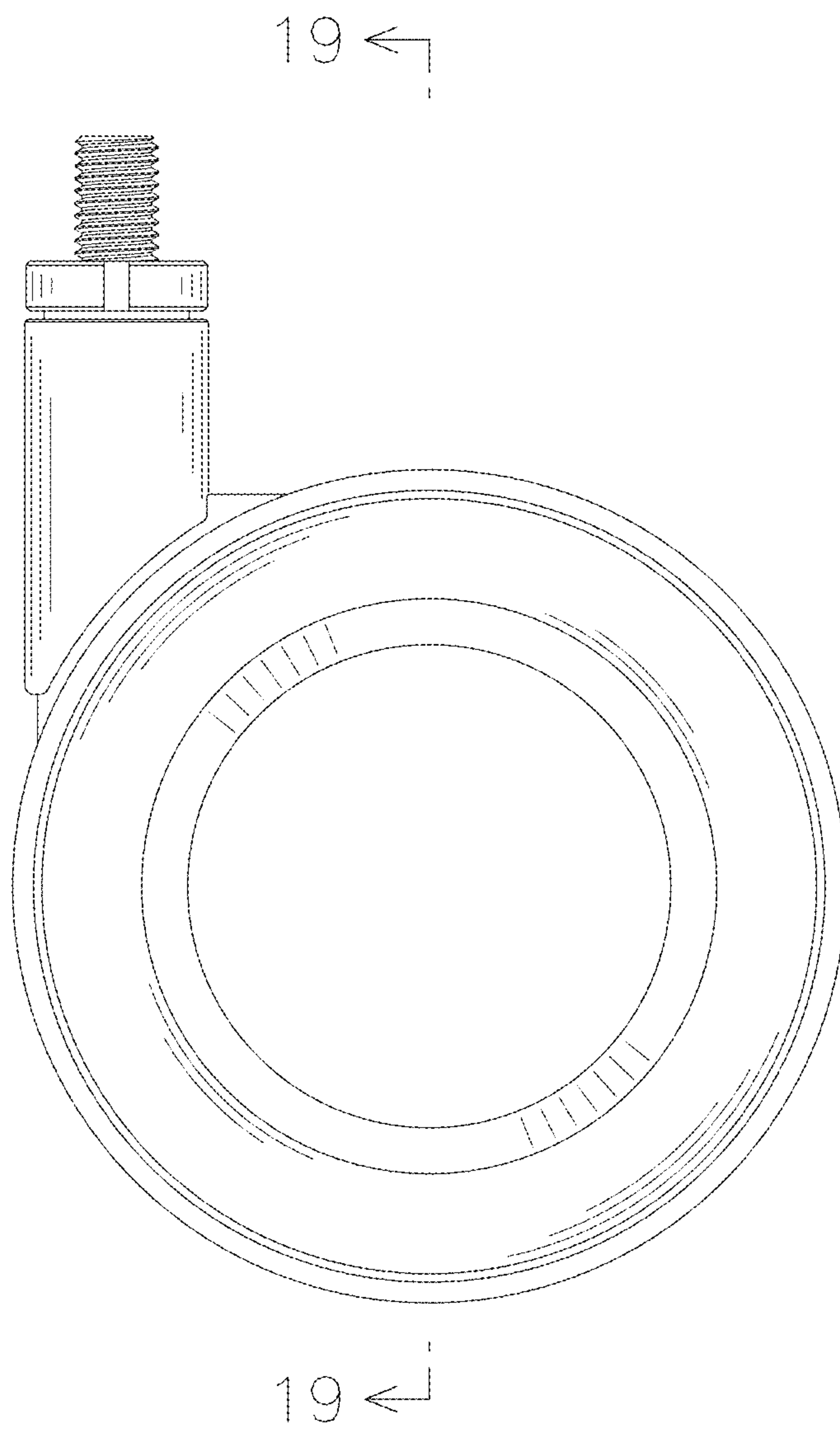


Fig.14

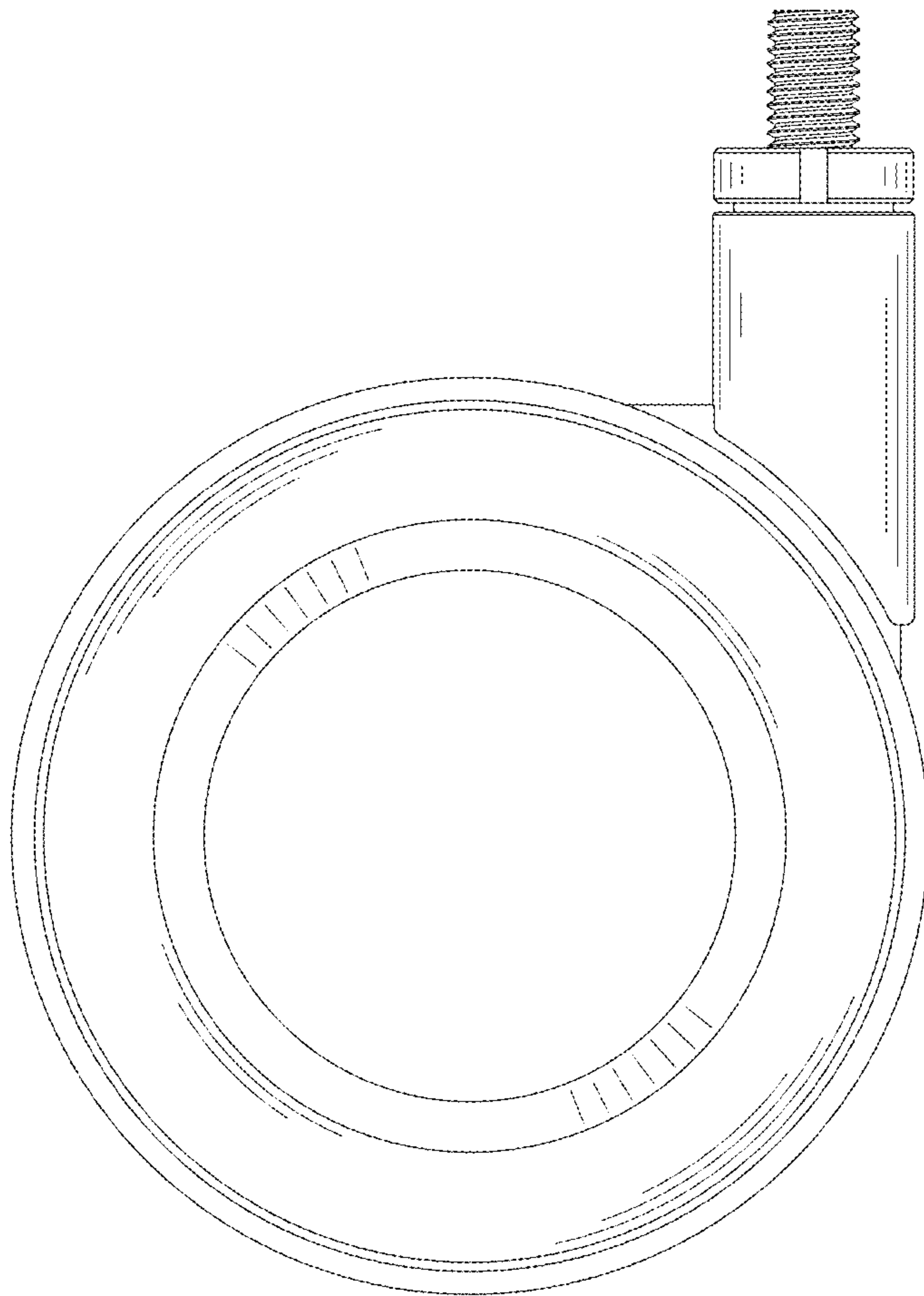


Fig.15

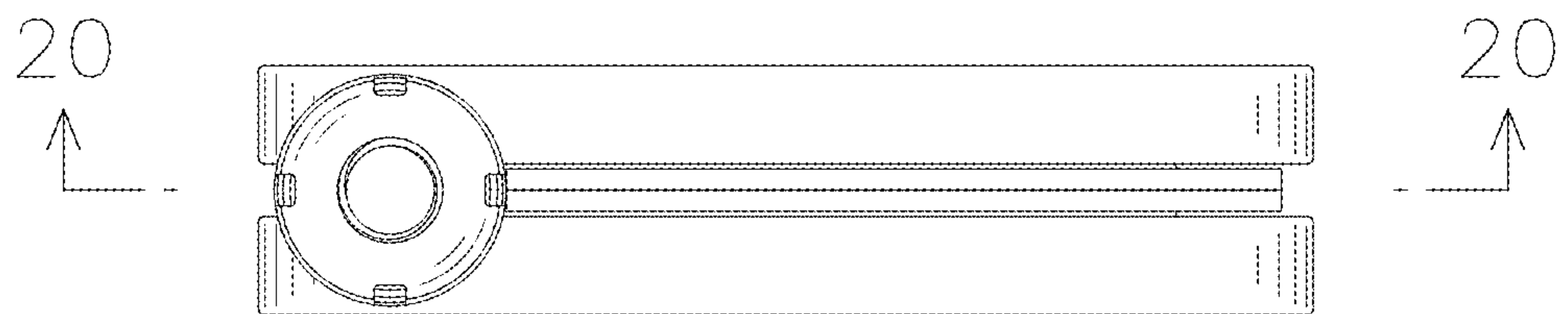


Fig.16

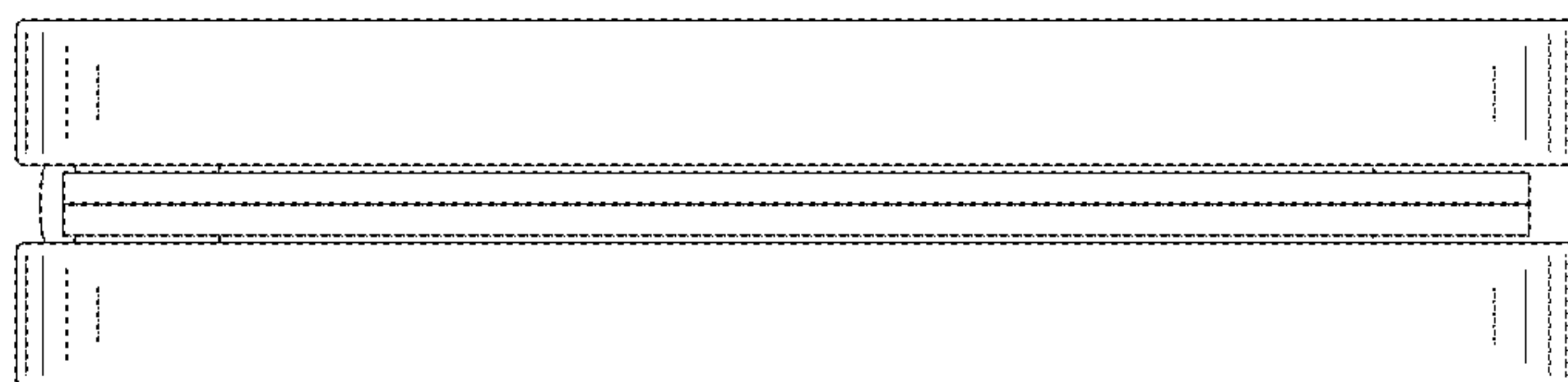


Fig.17

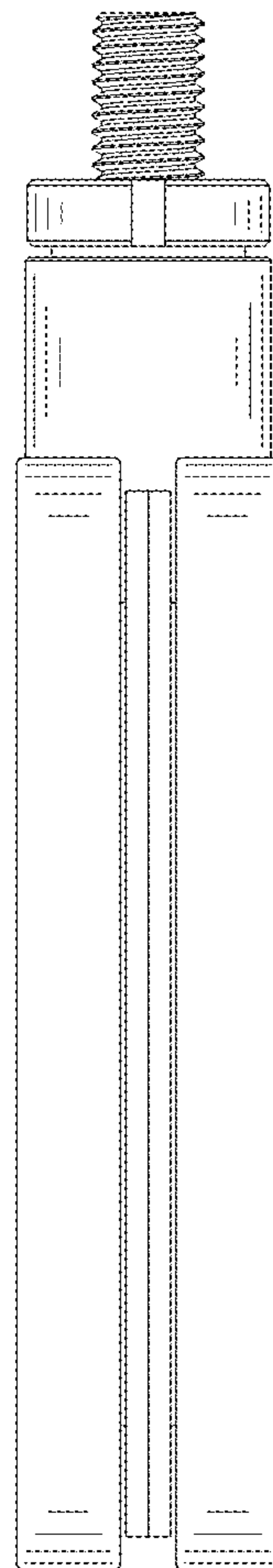


Fig. 18

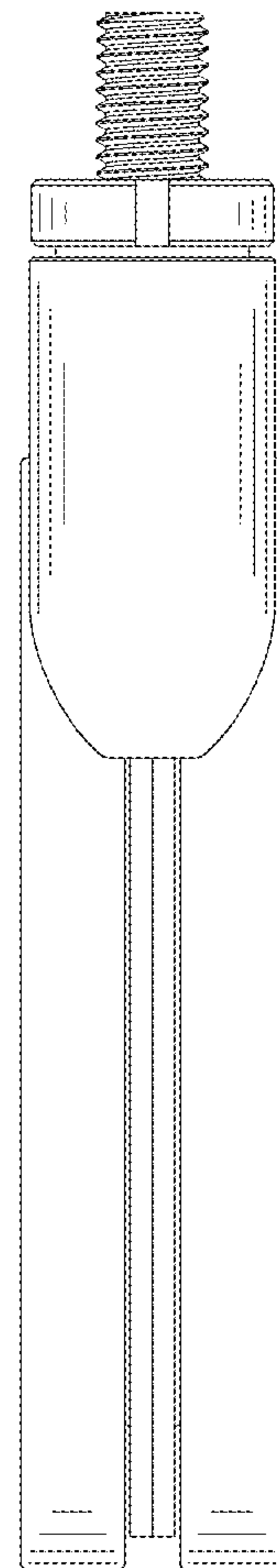


Fig.19

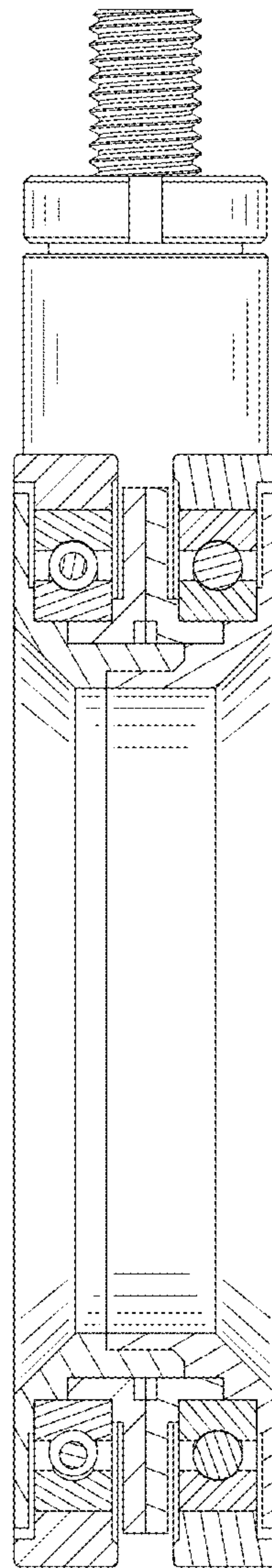


Fig. 20

