



US00D936464S

(12) **United States Design Patent** (10) **Patent No.:** **US D936,464 S**
Carlino (45) **Date of Patent:** **** Nov. 23, 2021**

(54) **HOOK**

(71) Applicant: **Tirar Pty Ltd**, Waitara (AU)

(72) Inventor: **Felice Carlino**, Waitara (AU)

(73) Assignee: **Tirar Pty Ltd**, Waitara (AU)

(**) Term: **15 Years**

(21) Appl. No.: **29/702,793**

(22) Filed: **Aug. 22, 2019**

(30) **Foreign Application Priority Data**

Feb. 22, 2019 (AU) 201910947

(51) **LOC (13) Cl.** **08-08**

(52) **U.S. Cl.**
USPC **D8/367; D6/323**

(58) **Field of Classification Search**
USPC D8/367, 372, 373; D6/323
CPC A47G 1/17; A47G 25/14; A47G 29/00;
A47K 10/04; F16B 47/00

See application file for complete search history.

(56) **References Cited**

U.S. PATENT DOCUMENTS

D234,283 S *	2/1975	Rockliff	D6/323
D289,255 S *	4/1987	Chasen	D6/323
D328,417 S *	8/1992	Korpjaakko	D6/323
D405,347 S *	2/1999	Mezey	D8/353
D436,452 S *	1/2001	Gastelum	D6/323
D554,483 S *	11/2007	Hager	D8/367
D567,517 S *	4/2008	Massaud	D6/323
D720,986 S *	1/2015	Citterio	D8/367
D761,638 S *	7/2016	Johnson	D8/367
D839,721 S *	2/2019	Downey	D8/367
D887,254 S *	6/2020	Bond	D8/367
2006/0124811 A1 *	6/2006	Tatarsky	A47B 96/067 248/220.31
2007/0295871 A1 *	12/2007	Moreau	B66C 1/62 248/214

FOREIGN PATENT DOCUMENTS

CN	302729015	*	2/2014
FR	WO-D040149-001	*	11/2007
GB	2085810	*	10/1999
JP	D1063789	*	12/1999
JP	D1307660	*	9/2006

OTHER PUBLICATIONS

OPR Mustang Coat Hook 17224, Announced 2002 [online], [site visited Jul. 6, 2021], Available from internet, URL: <https://www.americanmuscle.com/plastic-coathook-7902.html> (Year: 2021).*
Reusable Adhesive-Back Hook, Announced 2021 [online], [site visited Jul. 6, 2021], Available from internet, URL: <https://www.mcmaster.com/hooks/reusable-adhesive-back-hooks/> (Year: 2021).*

* cited by examiner

Primary Examiner — Rachel A. Voorhies
Assistant Examiner — Benjamin D. Wannemacher
(74) *Attorney, Agent, or Firm* — Fitch, Even, Tabin & Flannery LLP

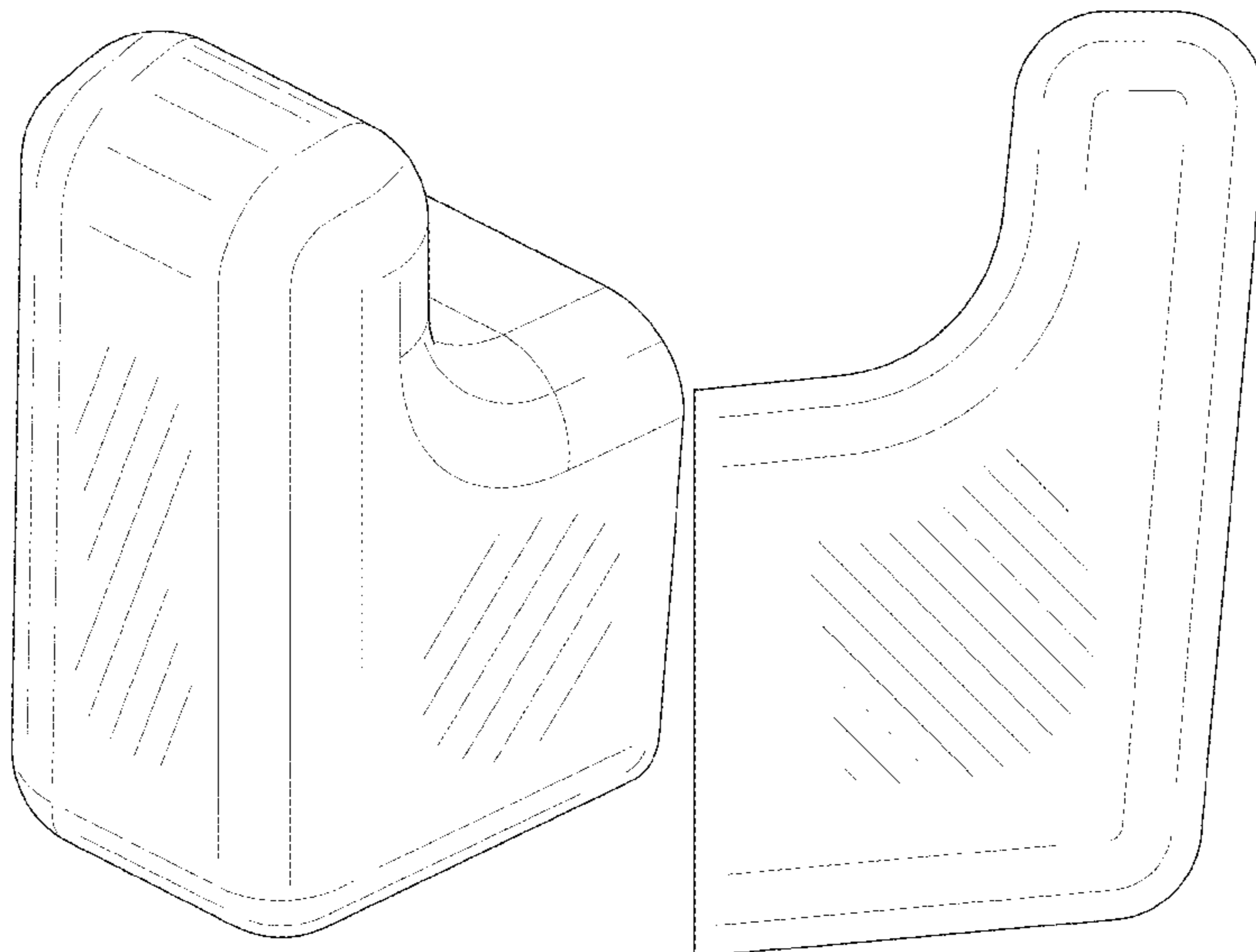
(57) **CLAIM**

The ornamental design for a hook, as shown and described.

DESCRIPTION

FIG. 1 is a front perspective view showing my new design of a hook;
FIG. 2 is a front elevation view thereof;
FIG. 3 is a rear elevation view thereof;
FIG. 4 is a left side elevation view thereof;
FIG. 5 is a right side elevation view thereof;
FIG. 6 is a top plan view thereof; and,
FIG. 7 is a bottom plan view thereof.

1 Claim, 7 Drawing Sheets



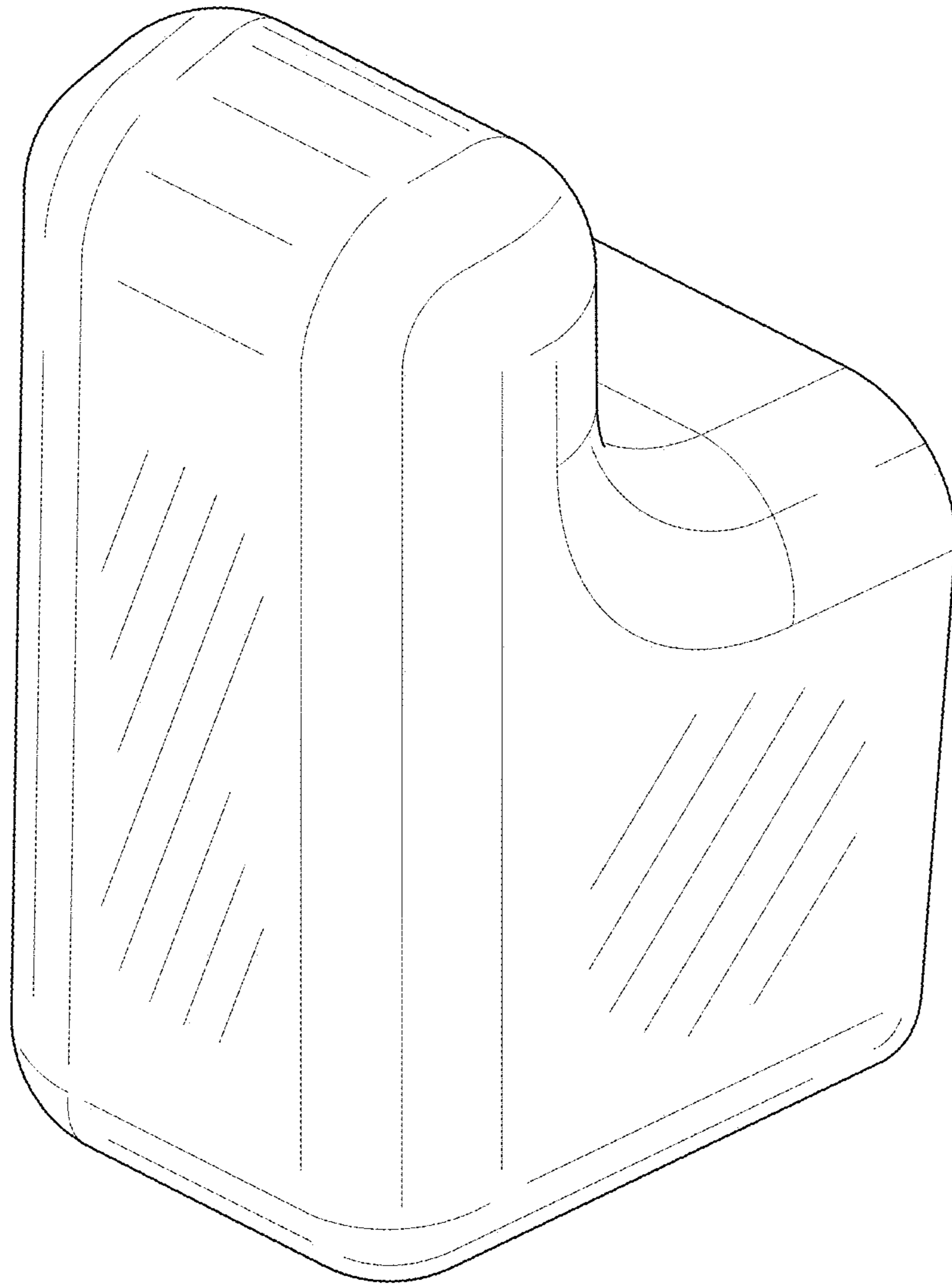


FIG. 1

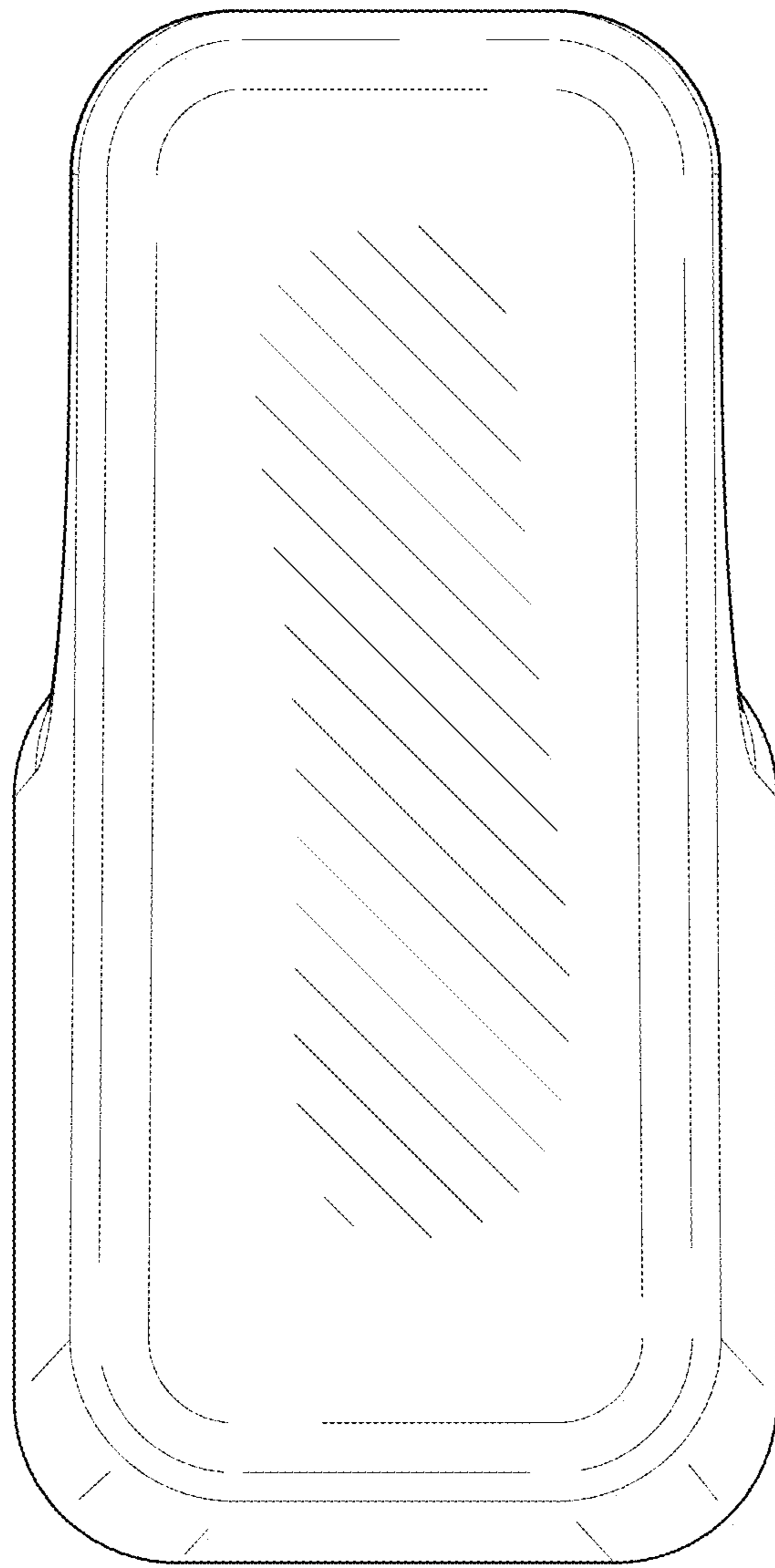


FIG. 2

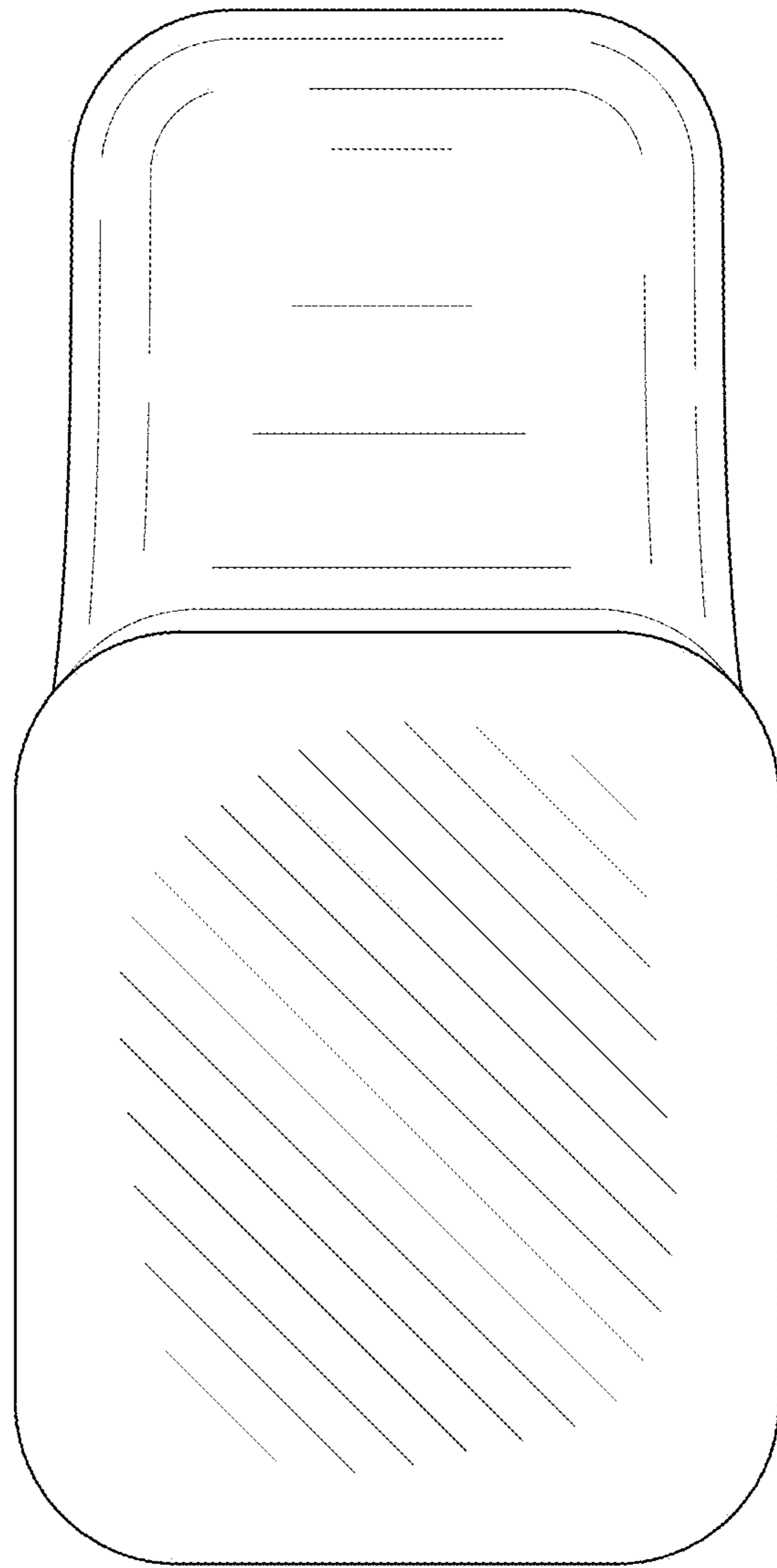


FIG. 3

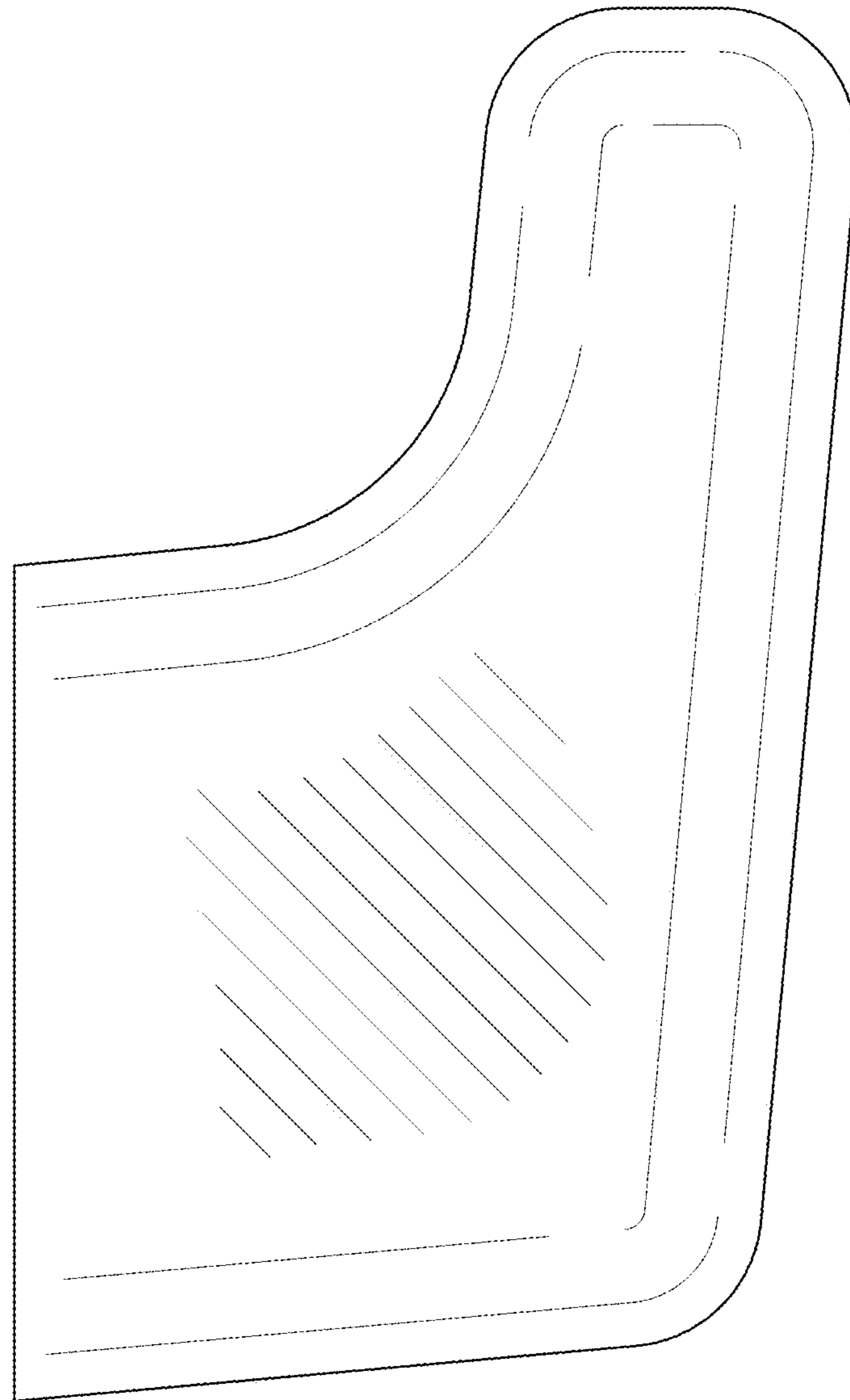


FIG. 4

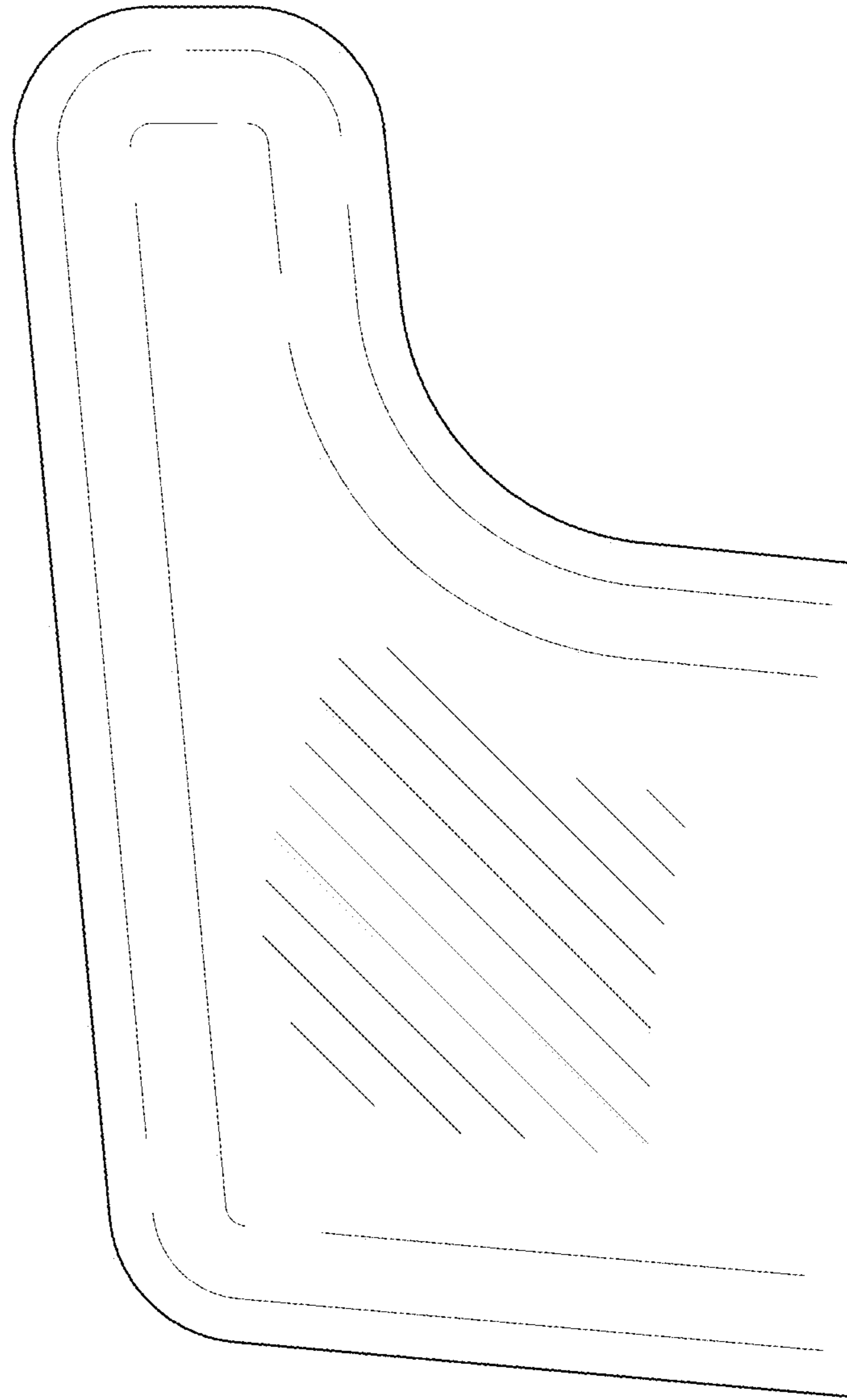


FIG. 5

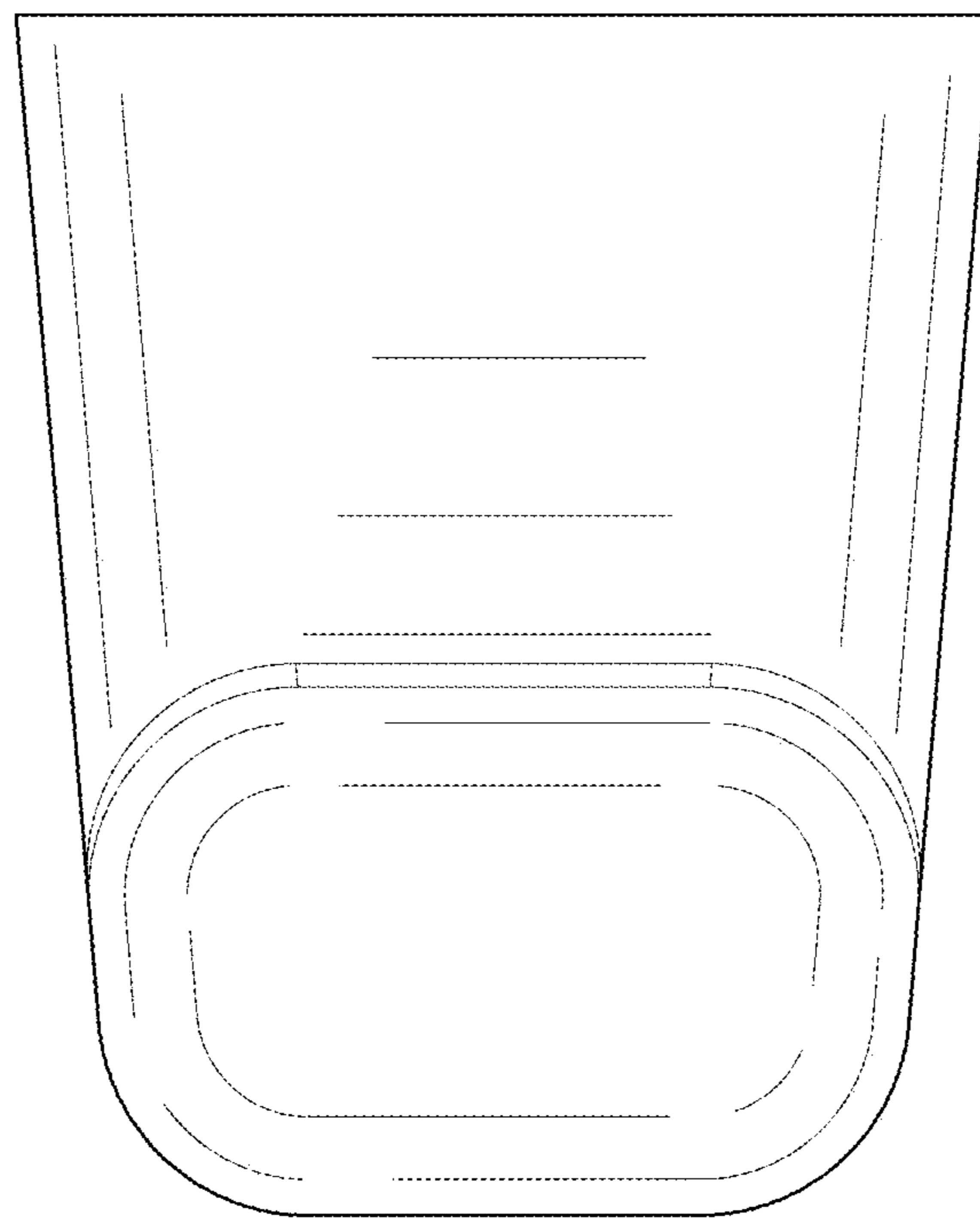


FIG. 6

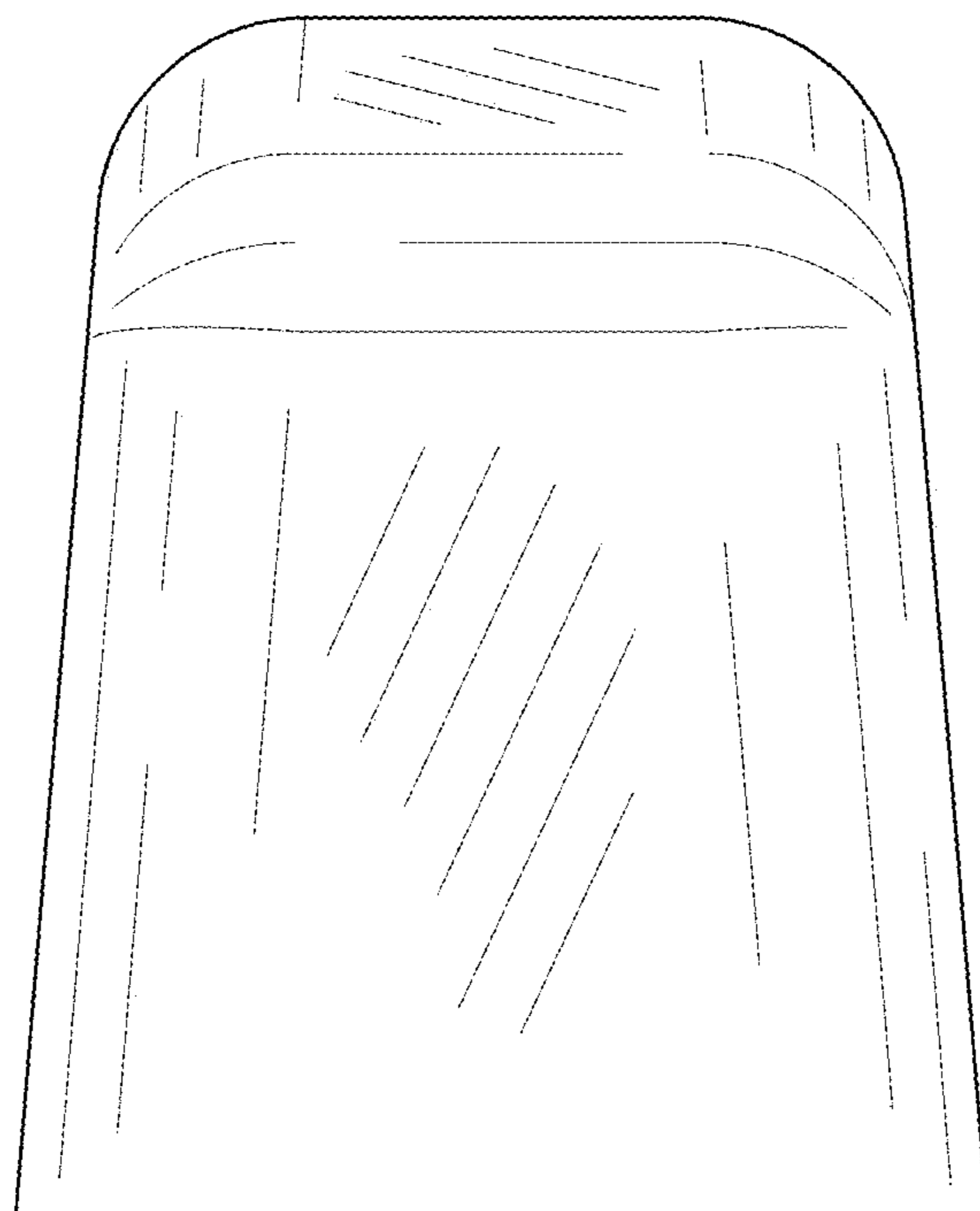


FIG. 7