



US00D936462S

(12) **United States Design Patent** (10) **Patent No.:** **US D936,462 S**  
**Cao** (45) **Date of Patent:** **\*\* Nov. 23, 2021**

(54) **PULLEY** D833,856 S \* 11/2018 Simonds ..... D8/360  
D860,766 S \* 9/2019 Brown ..... A62B 1/18  
(71) Applicant: **Taizhou Senkang Protective** D893,286 S \* 8/2020 Xu ..... D8/360  
**Equipment Co., Ltd., Taizhou (CN)** D896,352 S \* 9/2020 Horning ..... D23/265  
(72) Inventor: **Senkang Cao, Taizhou (CN)** D908,475 S \* 1/2021 Grobe ..... D8/360  
D920,083 S \* 5/2021 Yu ..... D8/360  
(\*\*) Term: **15 Years** 11,007,947 B2 \* 5/2021 Gandhi ..... B60R 7/08  
2009/0114893 A1 \* 5/2009 Lange ..... B66D 3/04  
254/390

(21) Appl. No.: **29/765,589**

(22) Filed: **Jan. 9, 2021**

(51) **LOC (13) Cl.** ..... **08-05**

(52) **U.S. Cl.**  
USPC ..... **D8/360**

(58) **Field of Classification Search**  
USPC ..... D8/360, 356, 354, 349  
CPC ..... A63B 29/00; A63B 27/00  
See application file for complete search history.

(56) **References Cited**

**U.S. PATENT DOCUMENTS**

D34,324 S 4/1901 Kelley  
D45,911 S \* 6/1914 Mallory ..... D8/360  
D55,508 S \* 6/1920 Flynn, Jr. .... D8/360  
D202,294 S \* 9/1965 Heifetz ..... D8/396  
D348,386 S 7/1994 Cogburn  
D431,771 S \* 10/2000 Westerfield ..... D8/360  
D685,676 S \* 7/2013 Tylaska ..... D11/222  
D819,434 S \* 6/2018 Sonneman ..... D8/394

\* cited by examiner

*Primary Examiner* — Cynthia R Underwood

(74) *Attorney, Agent, or Firm* — W&K IP

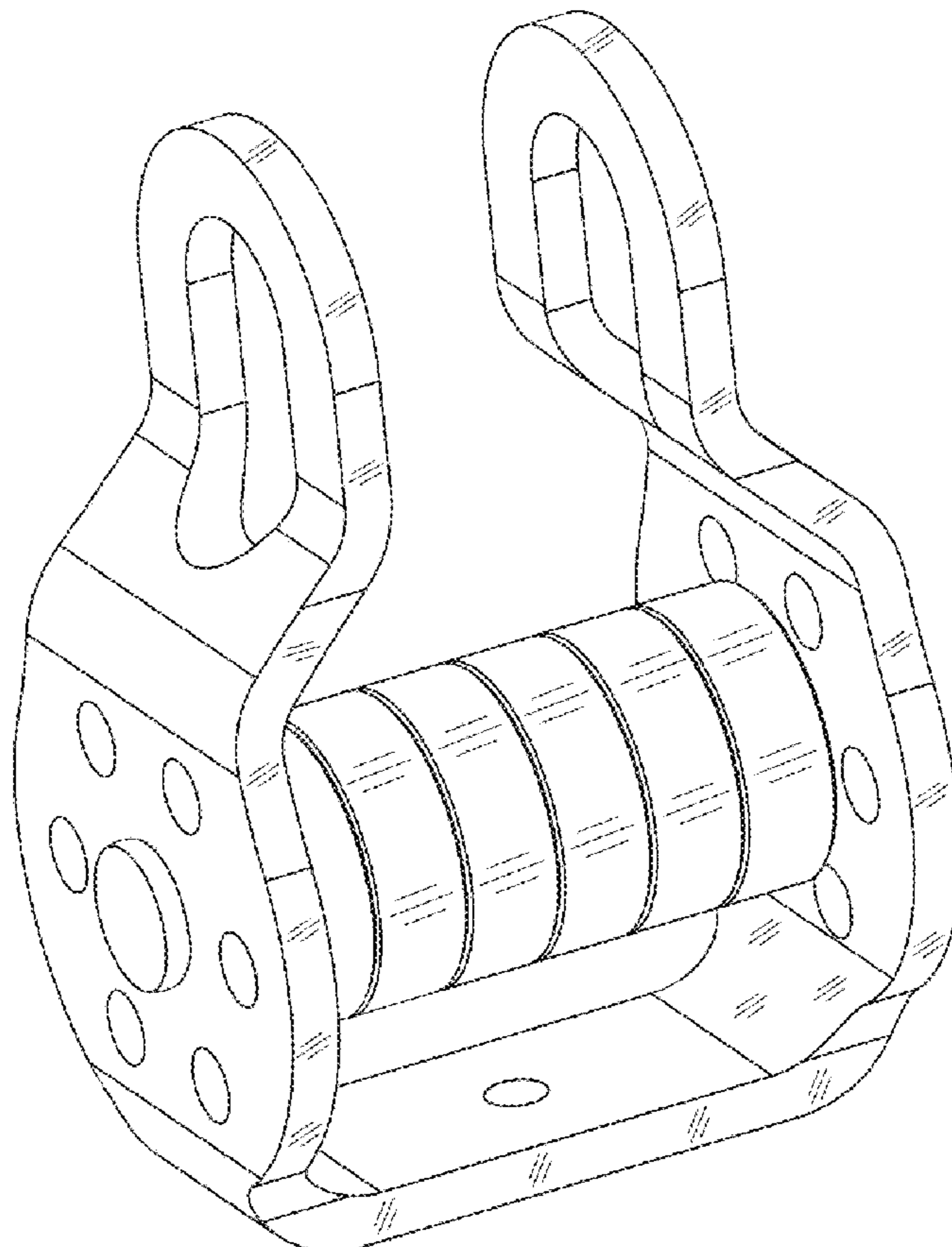
(57) **CLAIM**

The ornamental design for a pulley, as shown and described.

**DESCRIPTION**

FIG. 1 is a perspective view of a pulley showing my new design;  
FIG. 2 is a front view thereof;  
FIG. 3 is a rear view thereof;  
FIG. 4 is a left side view thereof;  
FIG. 5 is a right side view thereof;  
FIG. 6 is a top plan view thereof; and,  
FIG. 7 is a bottom plan view thereof.

**1 Claim, 7 Drawing Sheets**



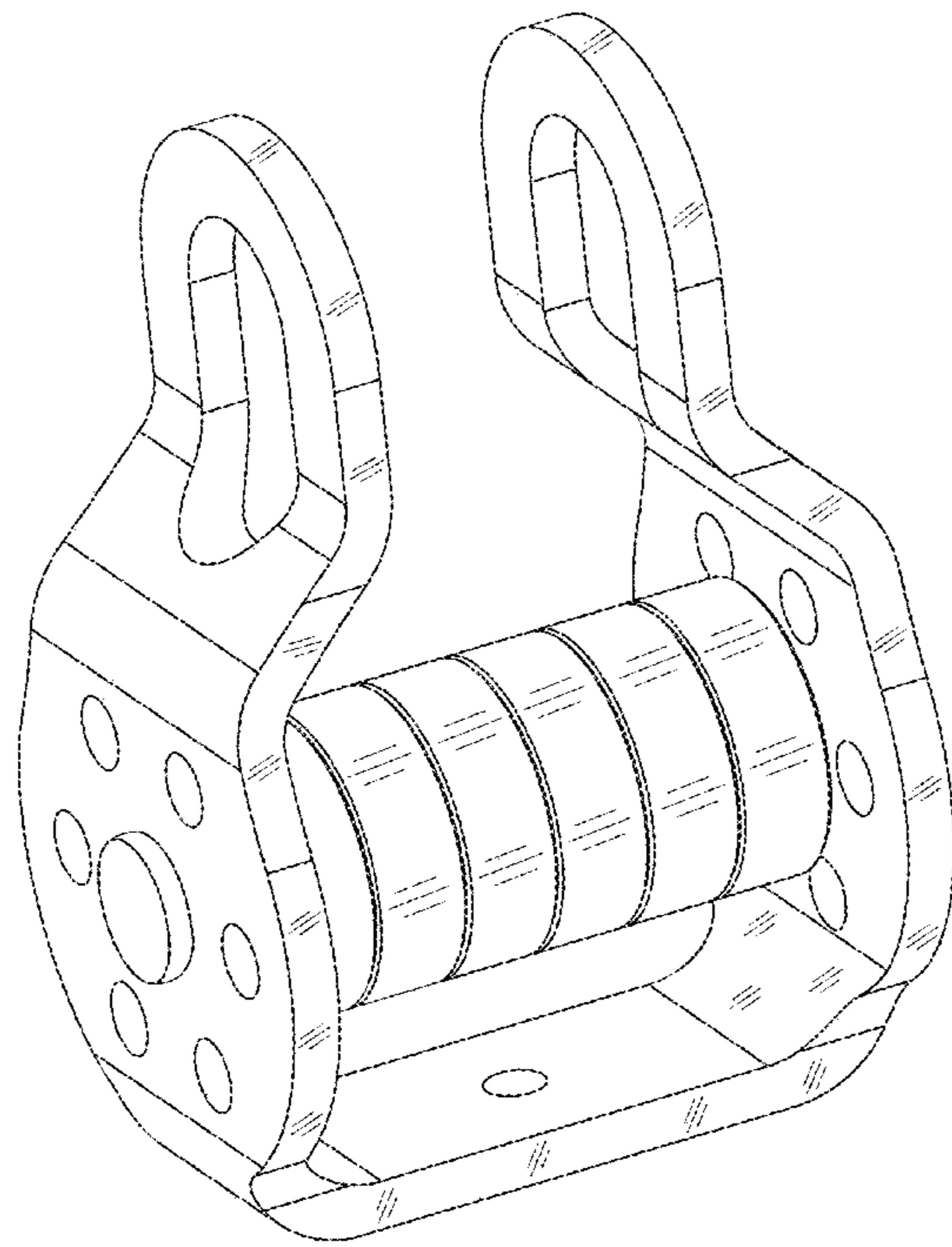


FIG.1

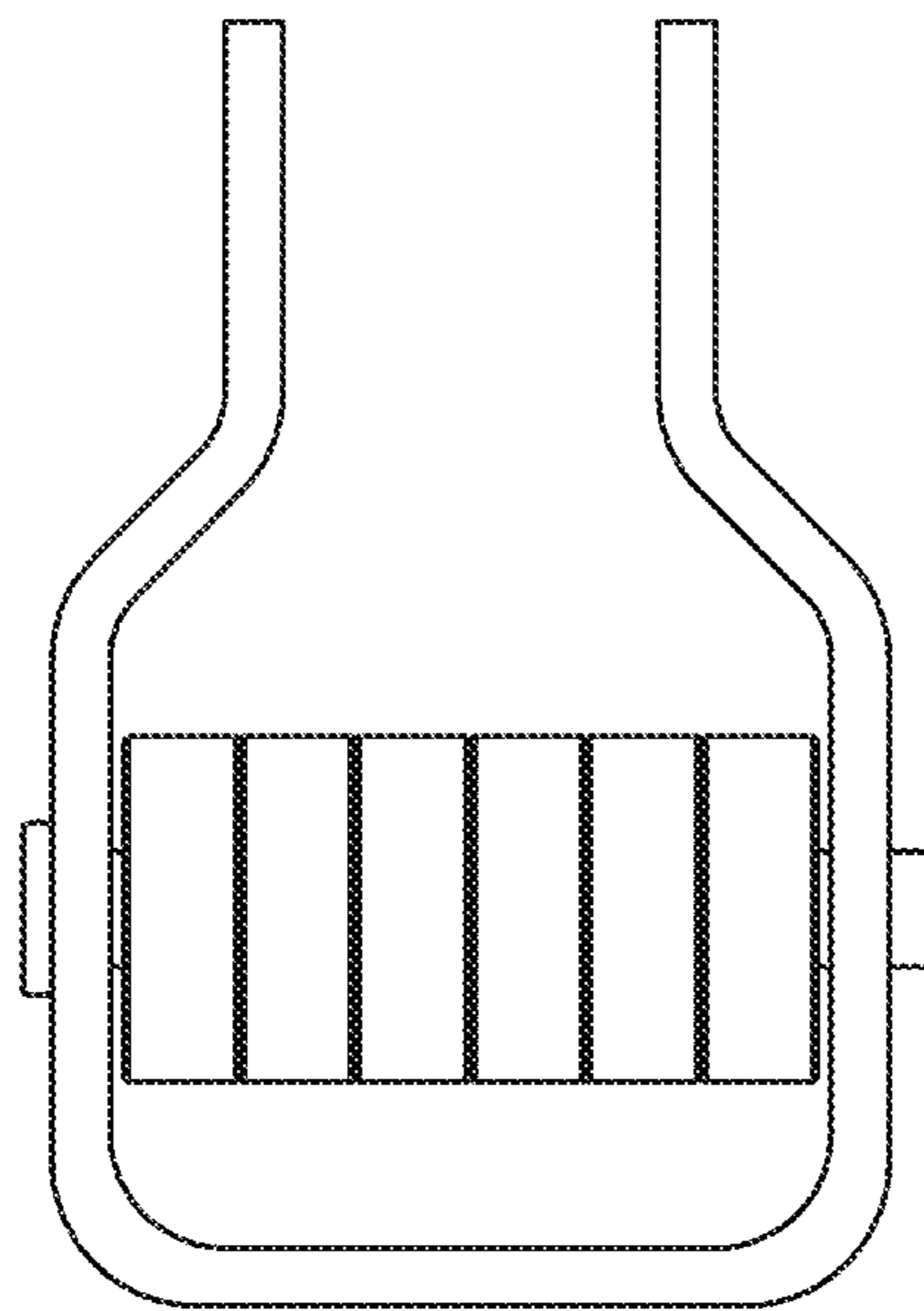


FIG.2

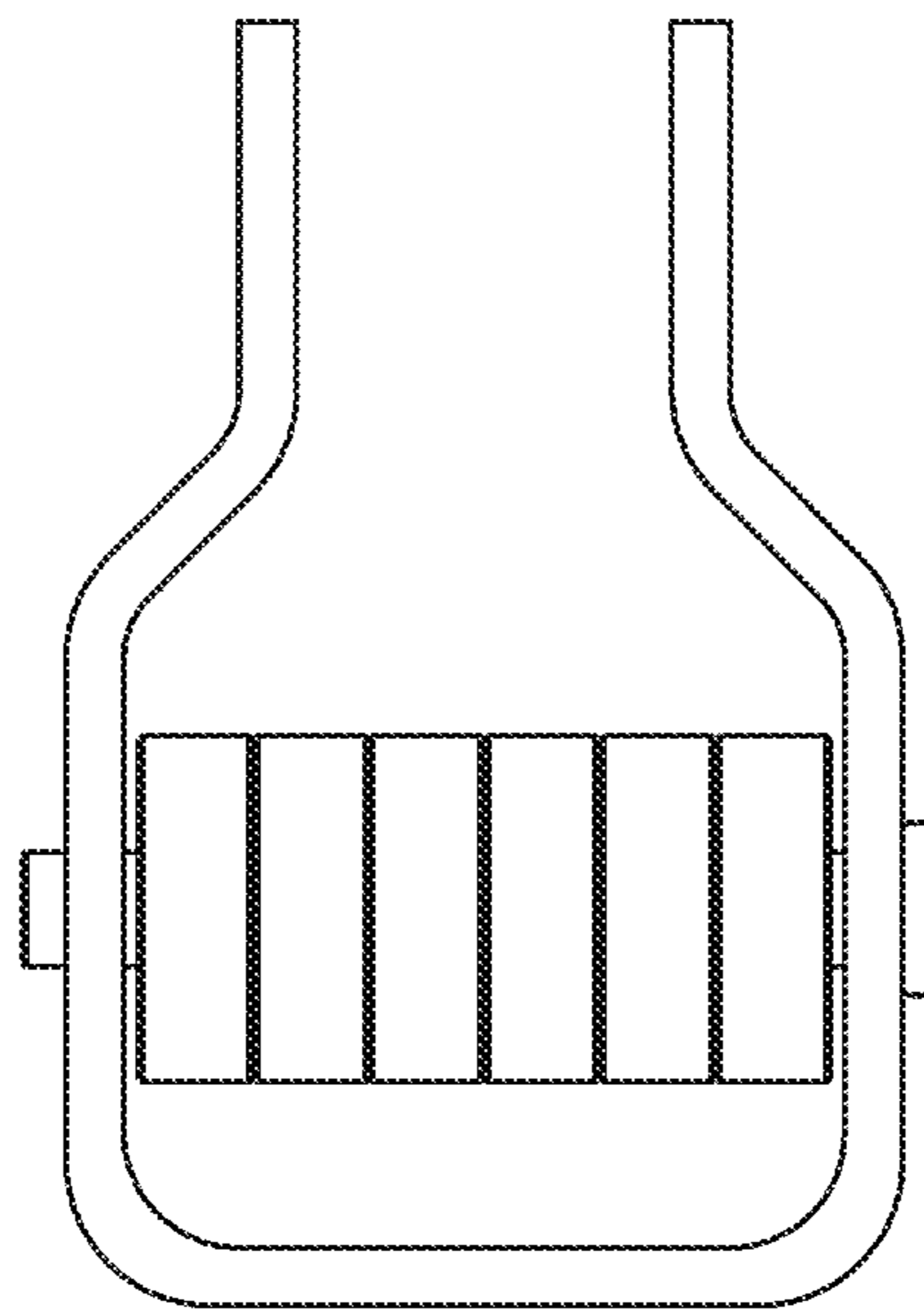


FIG.3

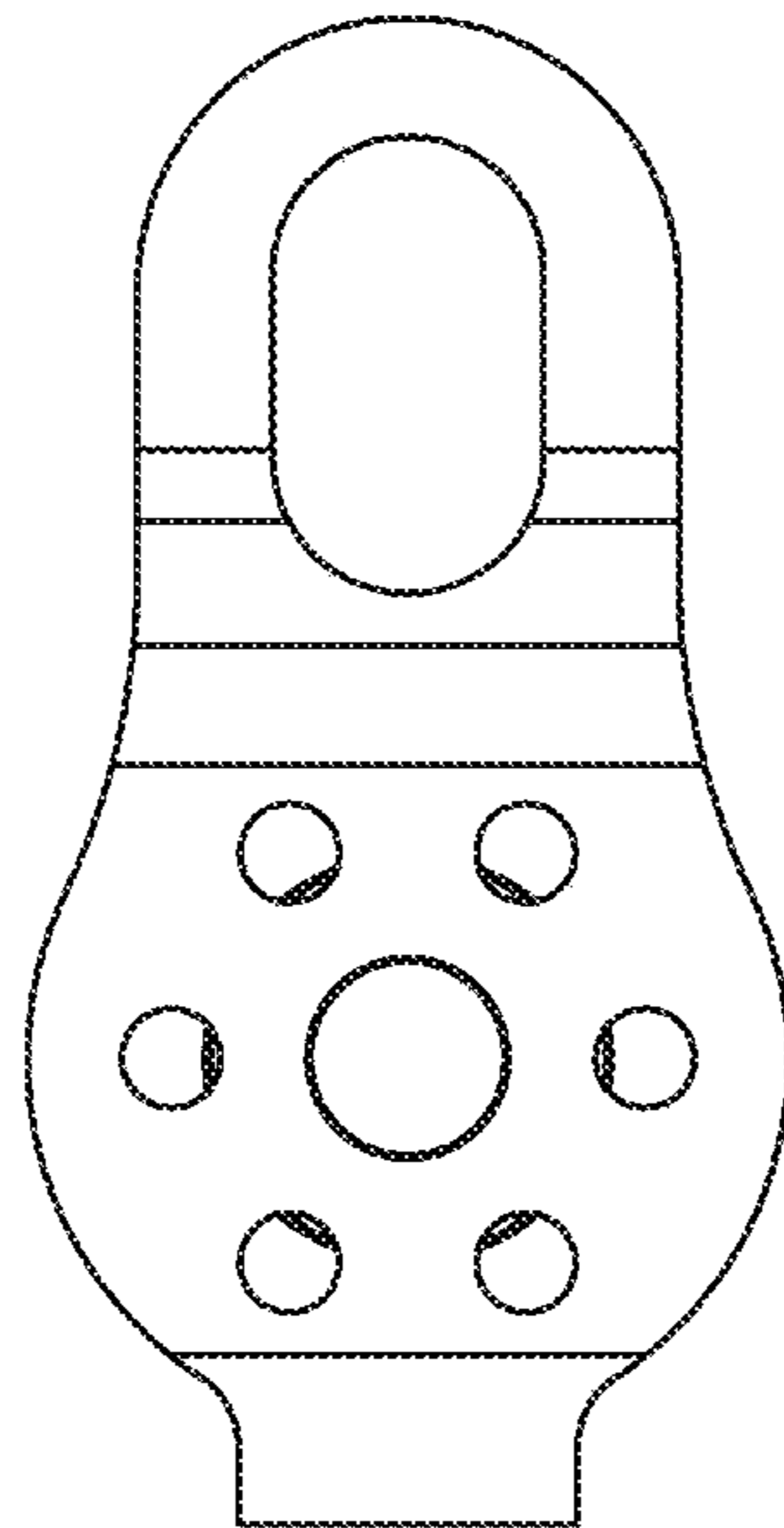


FIG.4

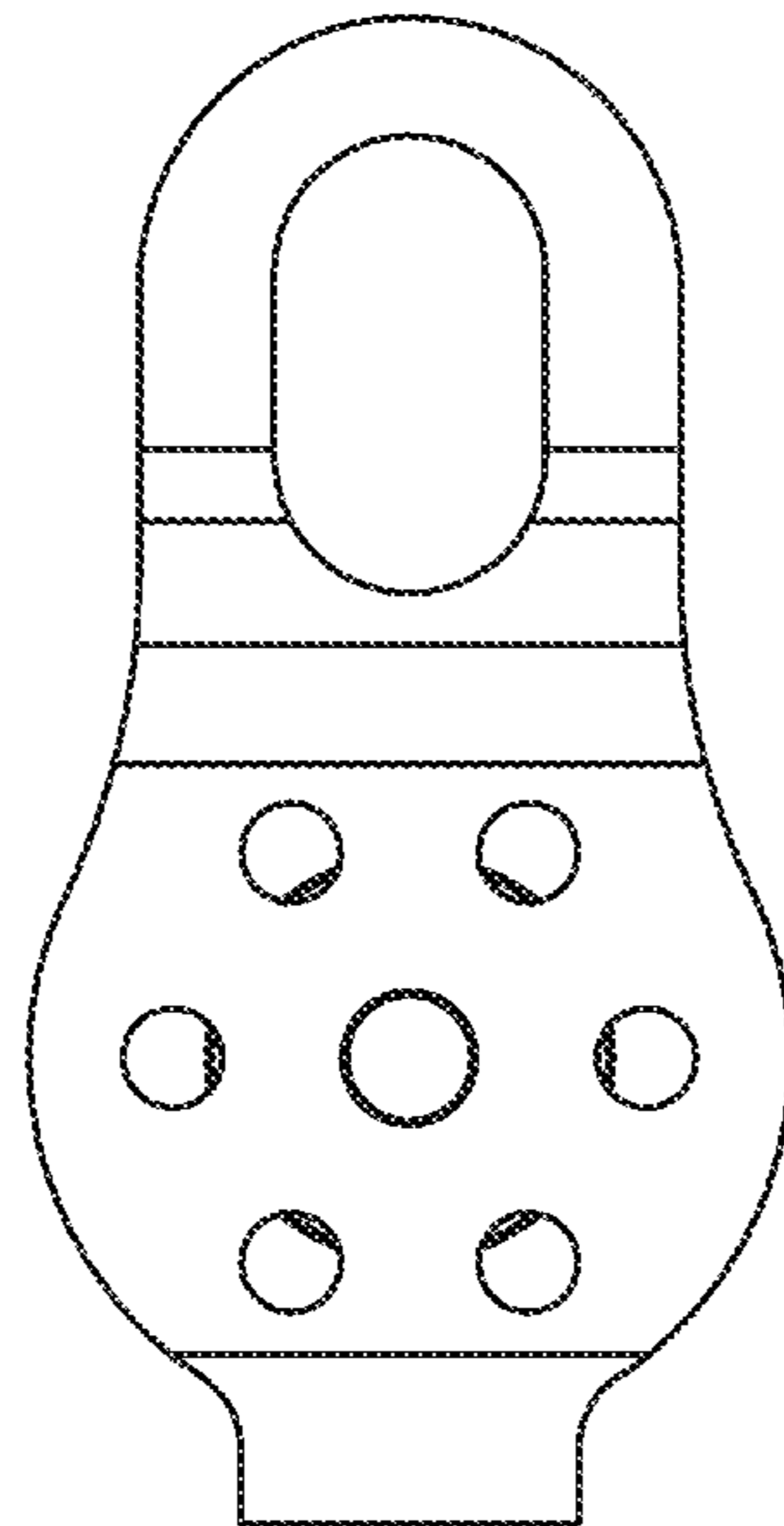


FIG.5

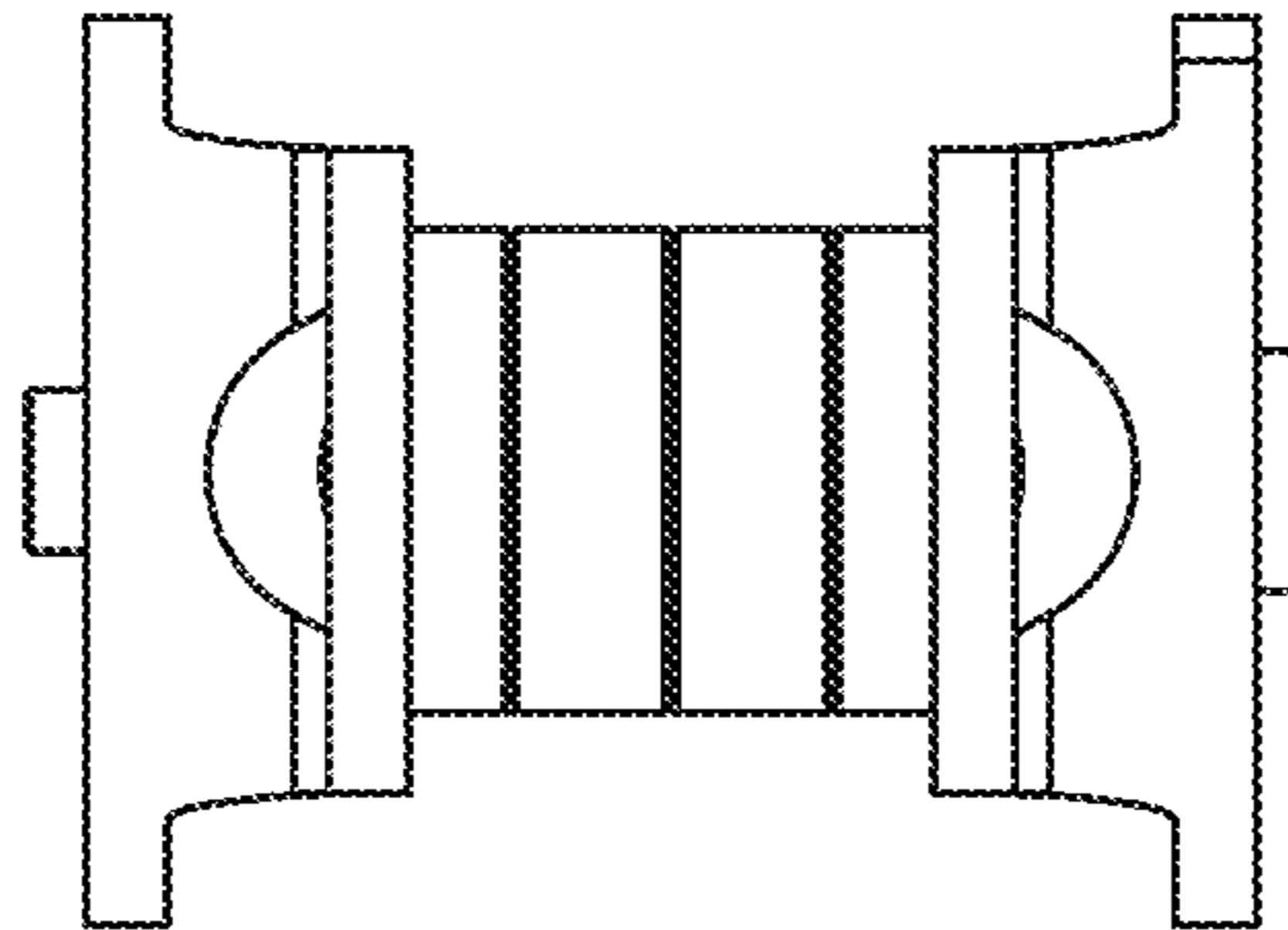


FIG.6

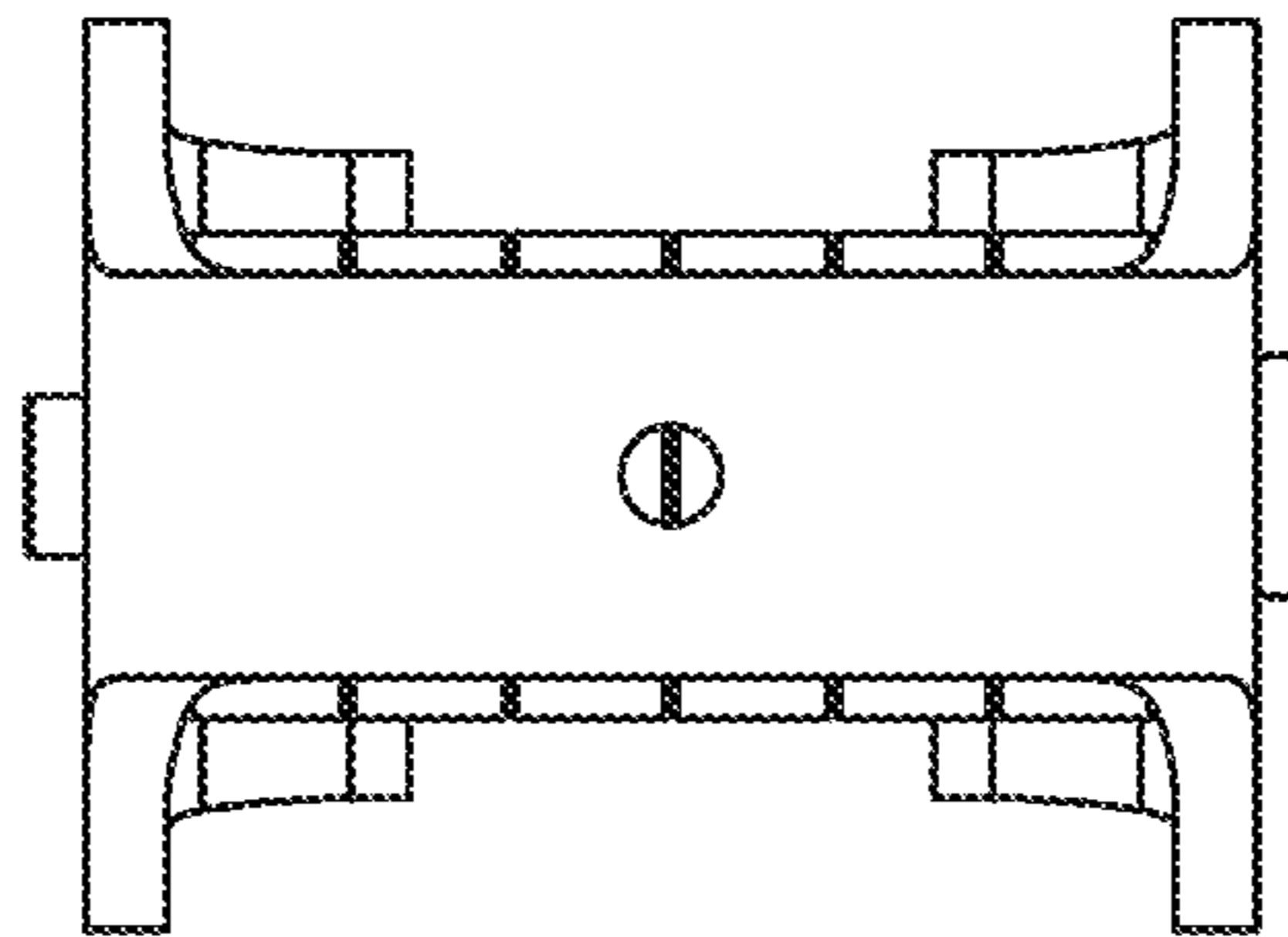


FIG.7