

US00D936461S

(12) **United States Design Patent**
Zhang

(10) **Patent No.:** **US D936,461 S**

(45) **Date of Patent:** **** Nov. 23, 2021**

(54) **ADJUSTABLE DEVICE SUPPORTING APPARATUS**

(71) Applicant: **Lijun Zhang**, Luoyang (CN)

(72) Inventor: **Lijun Zhang**, Luoyang (CN)

(**) Term: **15 Years**

(21) Appl. No.: **29/753,280**

(22) Filed: **Sep. 30, 2020**

(51) **LOC (13) Cl.** **08-05**

(52) **U.S. Cl.**
USPC **D8/355**; D14/447

(58) **Field of Classification Search**
USPC D14/447, 432, 434, 439, 440, 451, 452,
D14/457, 239; D8/363, 355, 373, 380;
D21/330, 331
CPC A45C 2011/002; A45C 2011/003; A47B
2097/006; A47B 2097/005
See application file for complete search history.

(56) **References Cited**

U.S. PATENT DOCUMENTS

1,203,659	A *	11/1916	Smith	A47B 23/043 248/456
D244,331	S *	5/1977	Woods	D18/12
D613,731	S	4/2010	Yeo		
D639,150	S	6/2011	Olson et al.		
8,056,871	B2 *	11/2011	Matias	A47B 23/043 248/176.1
D658,168	S *	4/2012	Werth	D14/253
D693,824	S *	11/2013	Erdfarb	D14/447
D695,747	S	12/2013	Hobbs		
D703,659	S *	4/2014	Werth	D14/253

D705,785	S *	5/2014	Wang	D14/447
D728,581	S	5/2015	Feinberg et al.		
9,062,823	B2 *	6/2015	Pan	F16M 11/10
D833,447	S *	11/2018	Zhang	D14/447
D868,073	S *	11/2019	Smith	D14/447
10,598,310	B2 *	3/2020	Hallar	F16M 11/10
D880,277	S	4/2020	Perry		
D886,829	S *	6/2020	Cheng	D14/447
D915,414	S *	4/2021	Yang	D14/447
D922,393	S *	6/2021	Nana	D14/447
D923,016	S *	6/2021	Chen	D14/447
D923,630	S *	6/2021	Lu	D14/447
11,060,655	B2 *	7/2021	Huang	F16B 2/12
D928,171	S *	8/2021	Huang	D14/447

* cited by examiner

Primary Examiner — Keli L Hill

Assistant Examiner — Harold E Blackwell, II

(74) *Attorney, Agent, or Firm* — Rumit Ranjit Kanakia

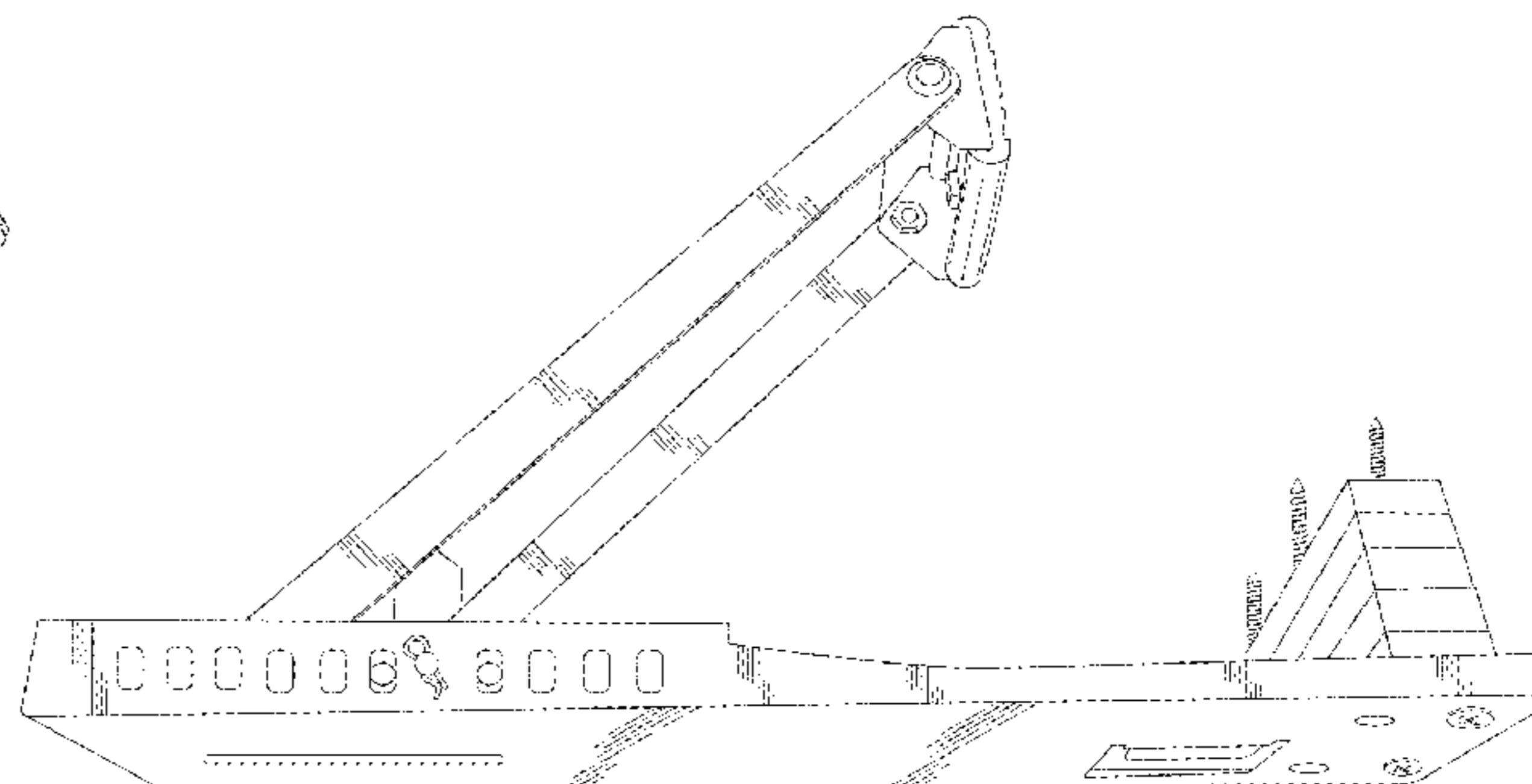
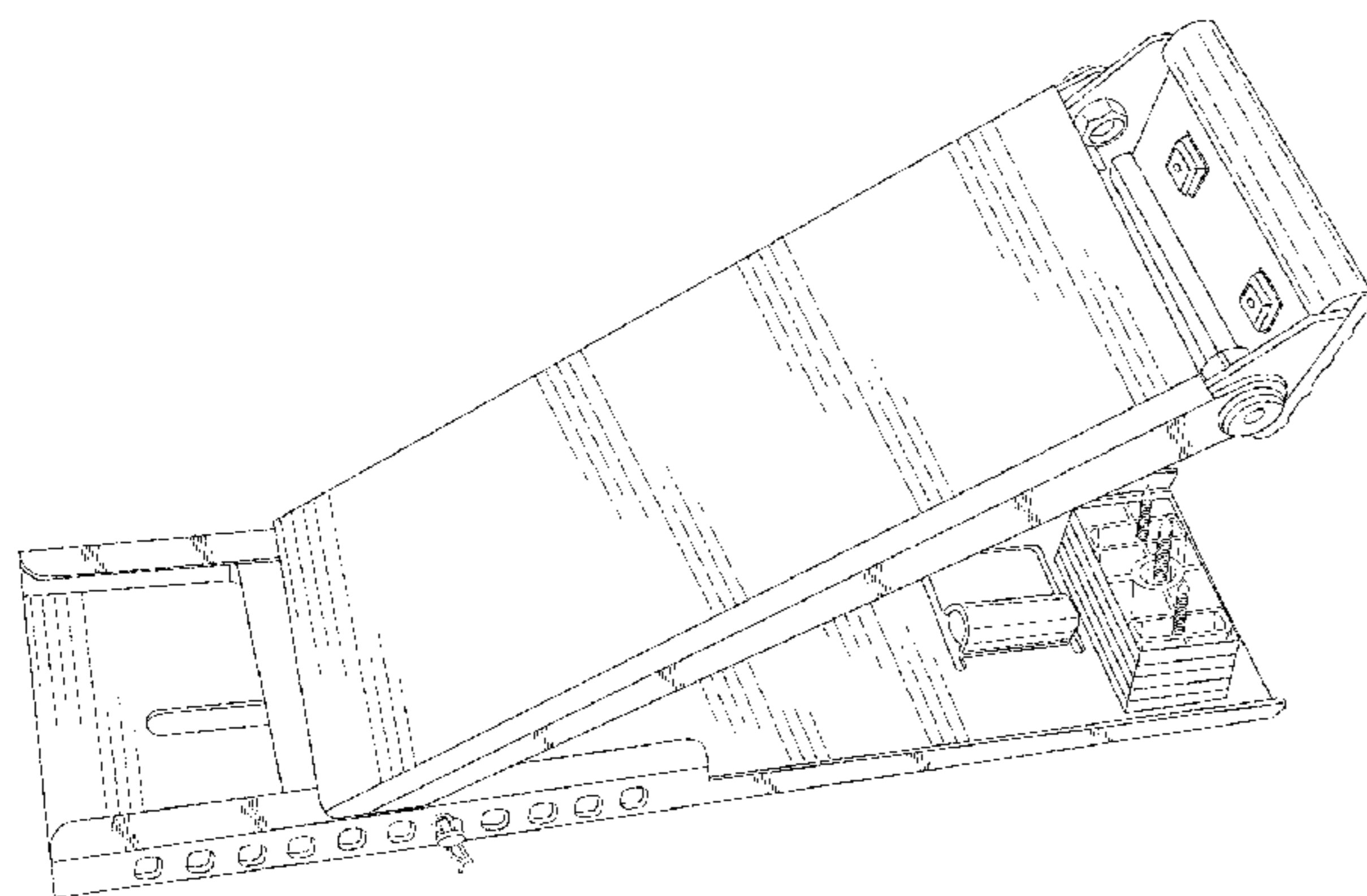
(57) **CLAIM**

I claim the ornamental design for an adjustable device supporting apparatus, as shown and described.

DESCRIPTION

FIG. 1 is a Perspective view of an adjustable device supporting apparatus showing my new design;
FIG. 2 is a Right-side view thereof;
FIG. 3 is a Left-side view thereof;
FIG. 4 is a Front view thereof;
FIG. 5 is a Back view thereof;
FIG. 6 is a Top view thereof;
FIG. 7 is a Bottom view thereof; and,
FIG. 8 is a Perspective view of an adjustable device supporting apparatus showing in exploded view.

1 Claim, 5 Drawing Sheets



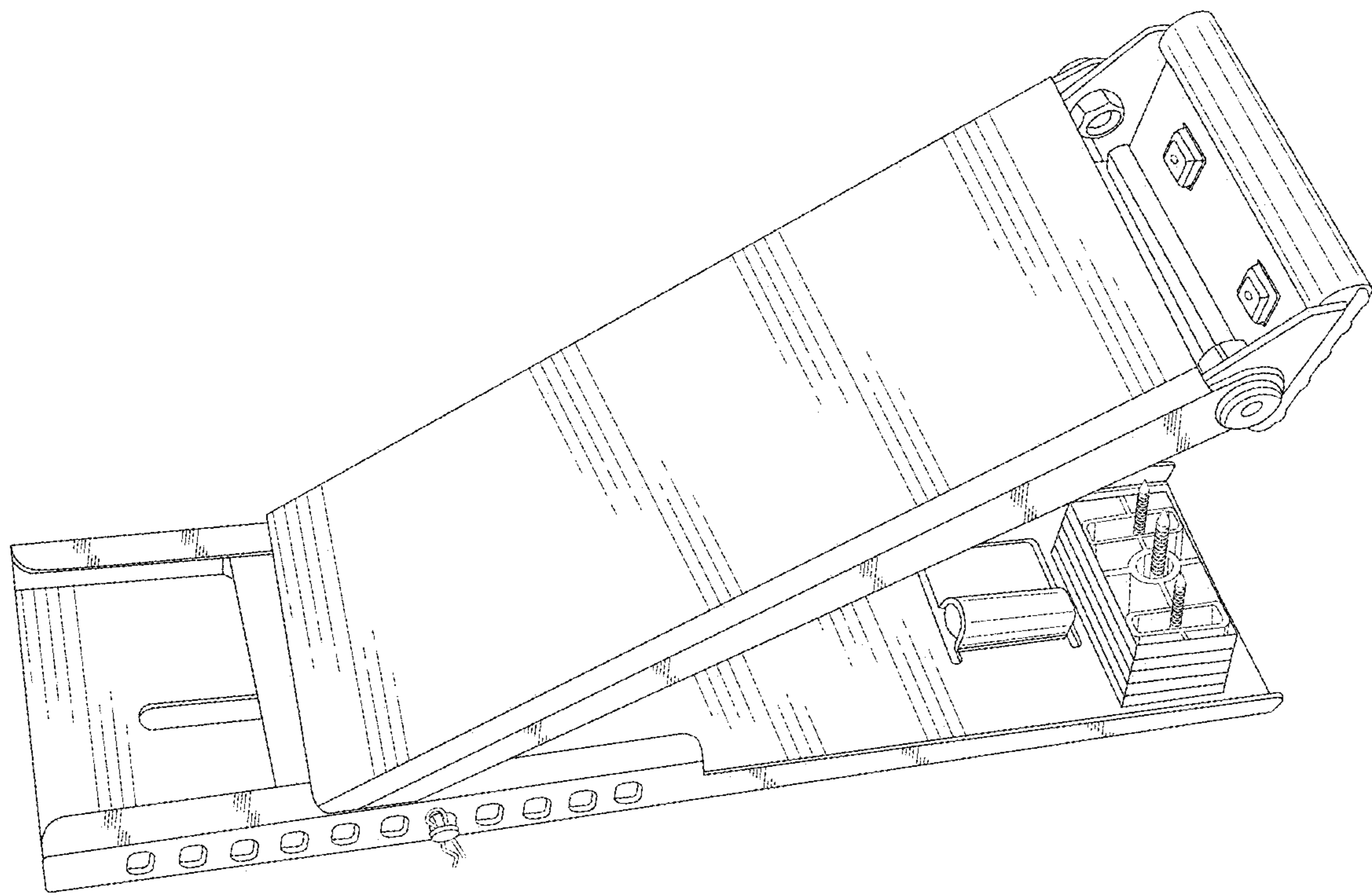


FIG. 1

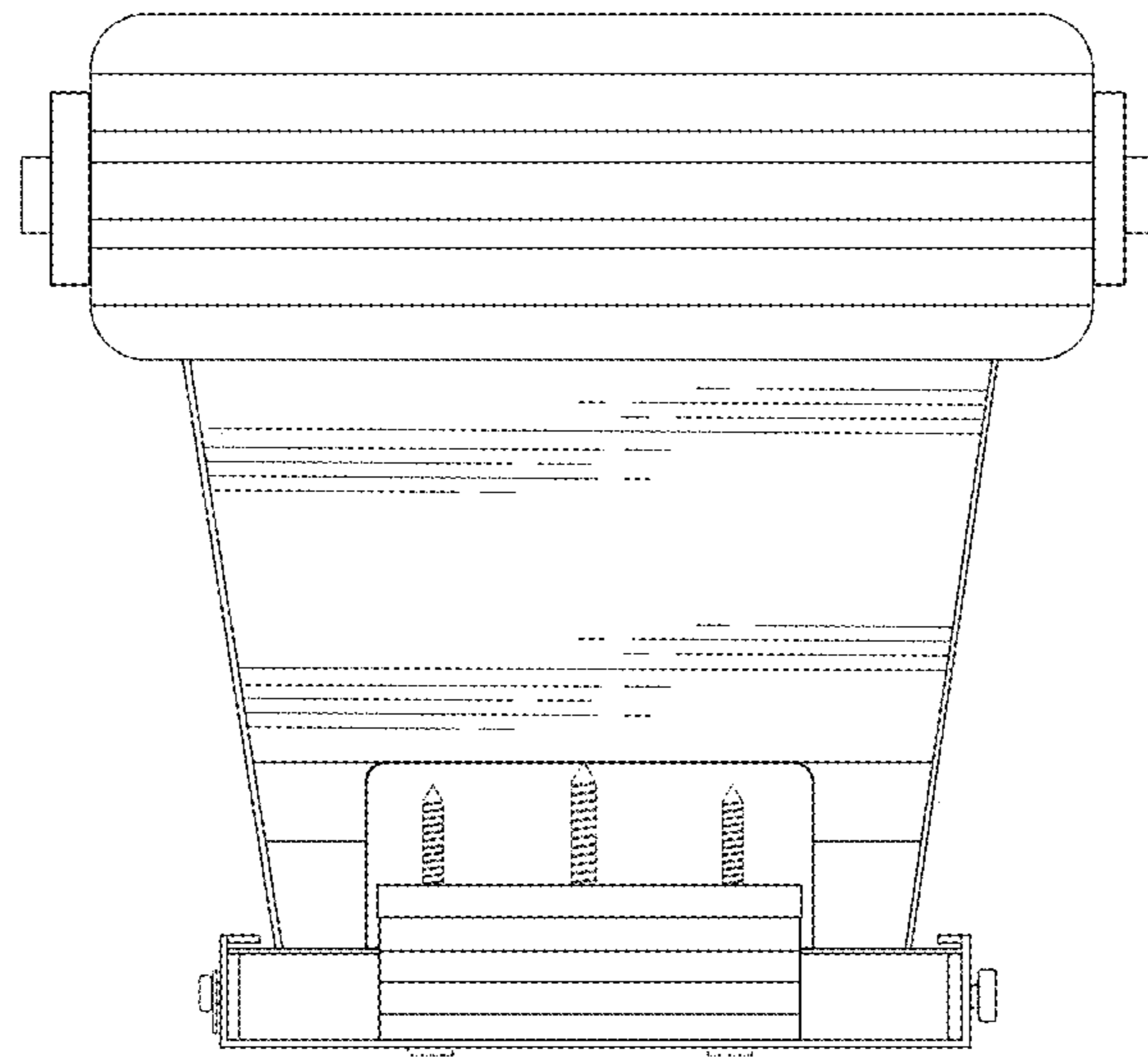


FIG. 2

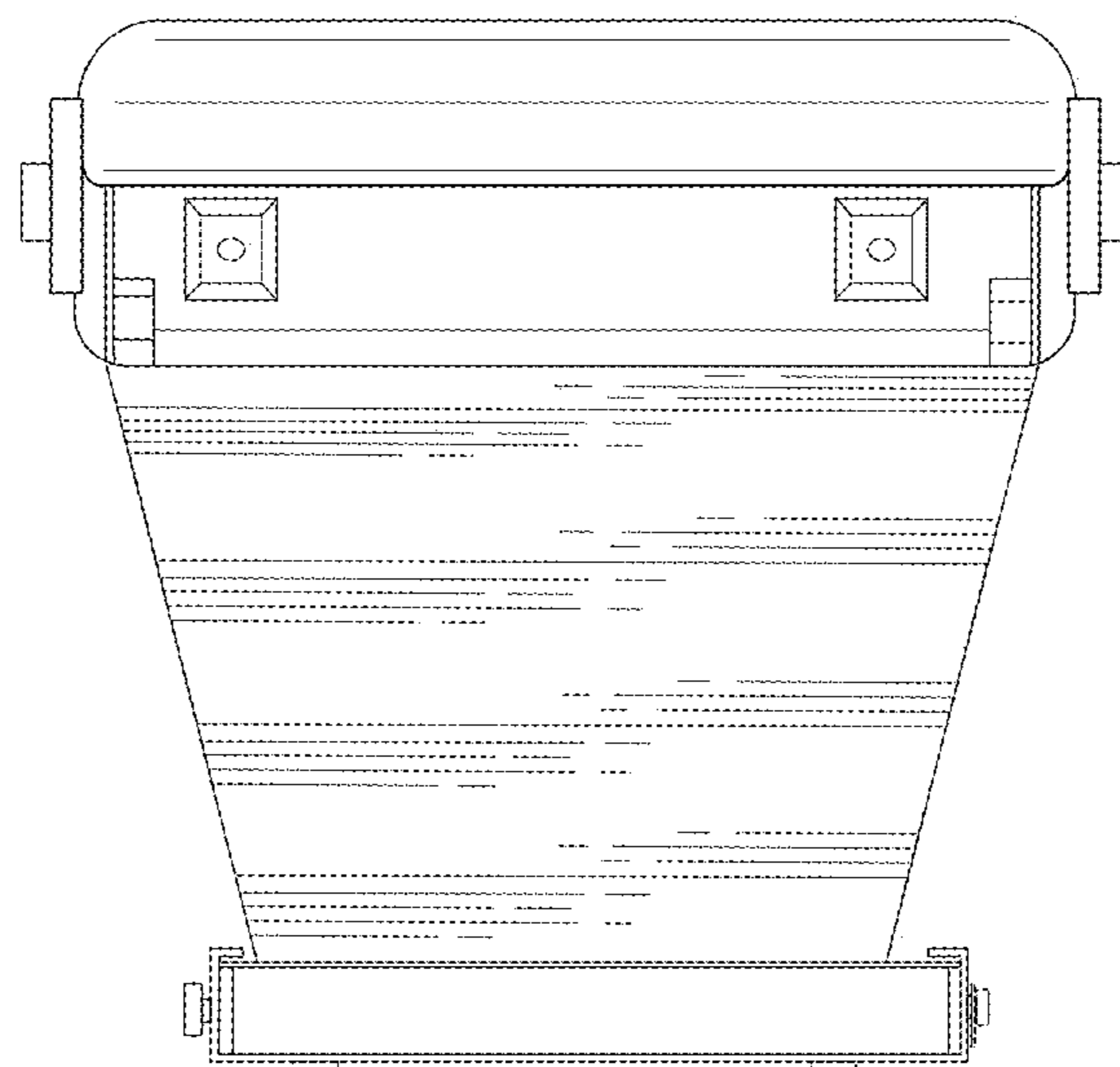


FIG. 3

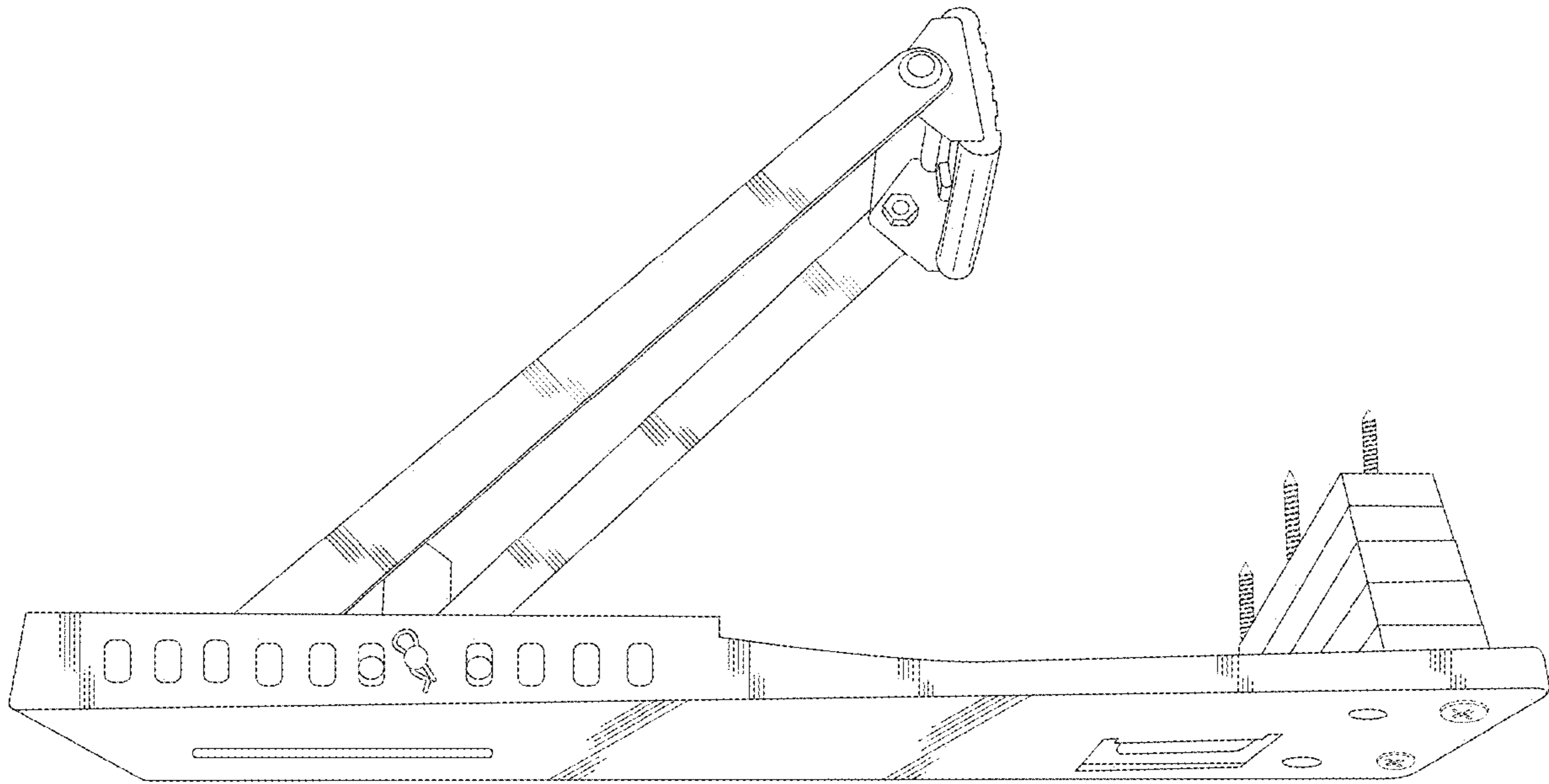


FIG. 4

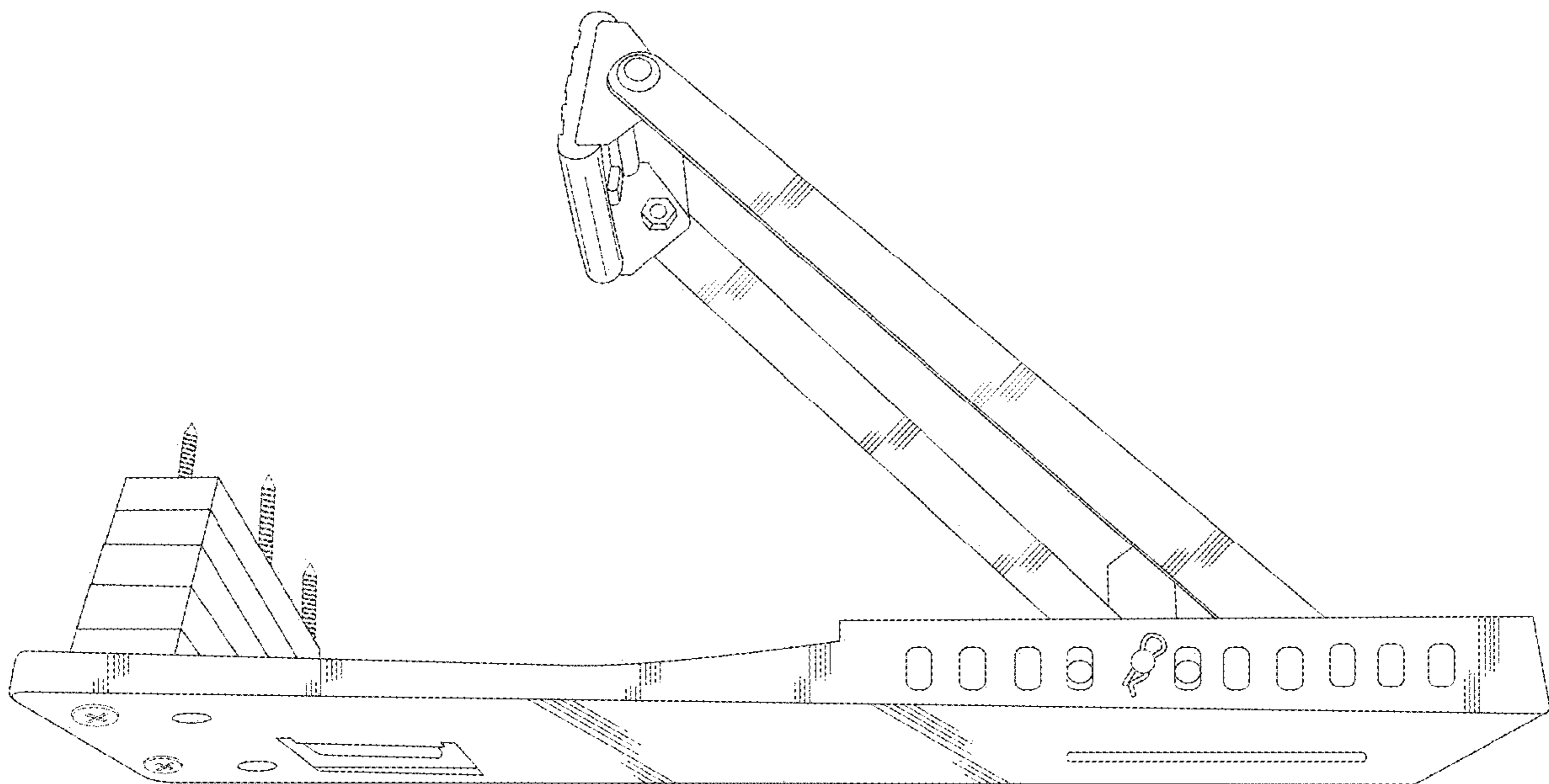


FIG. 5

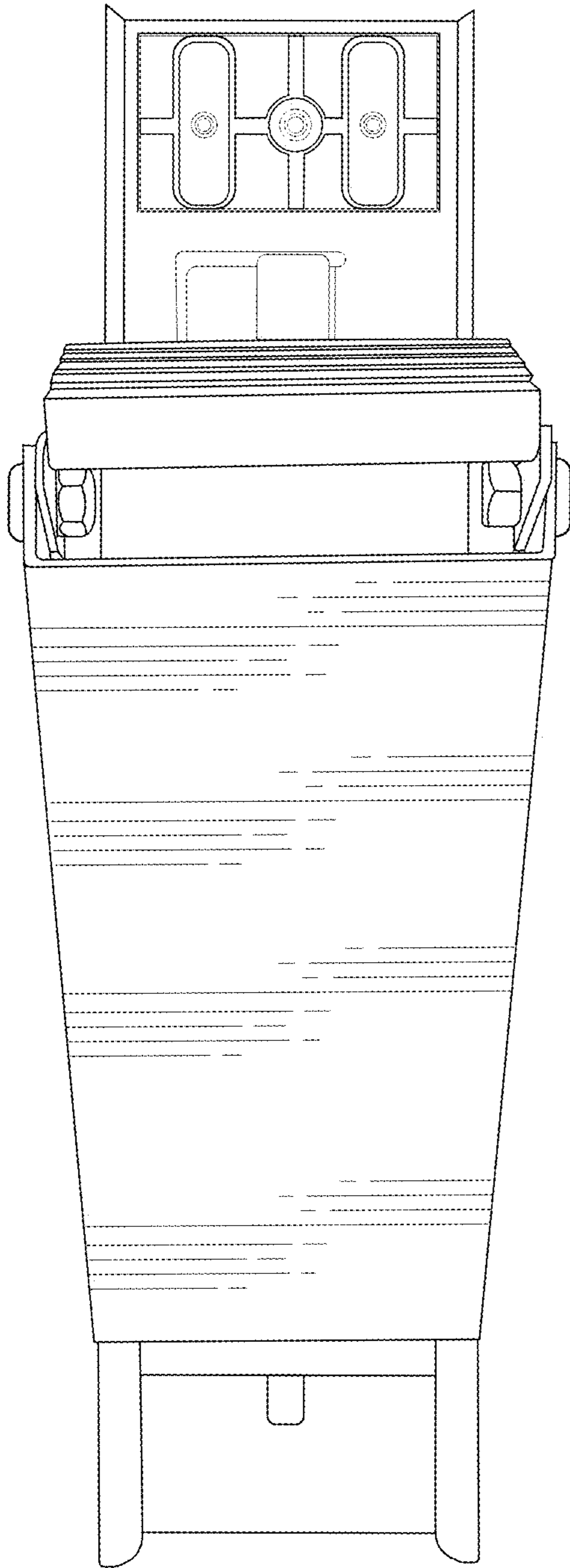


FIG. 6

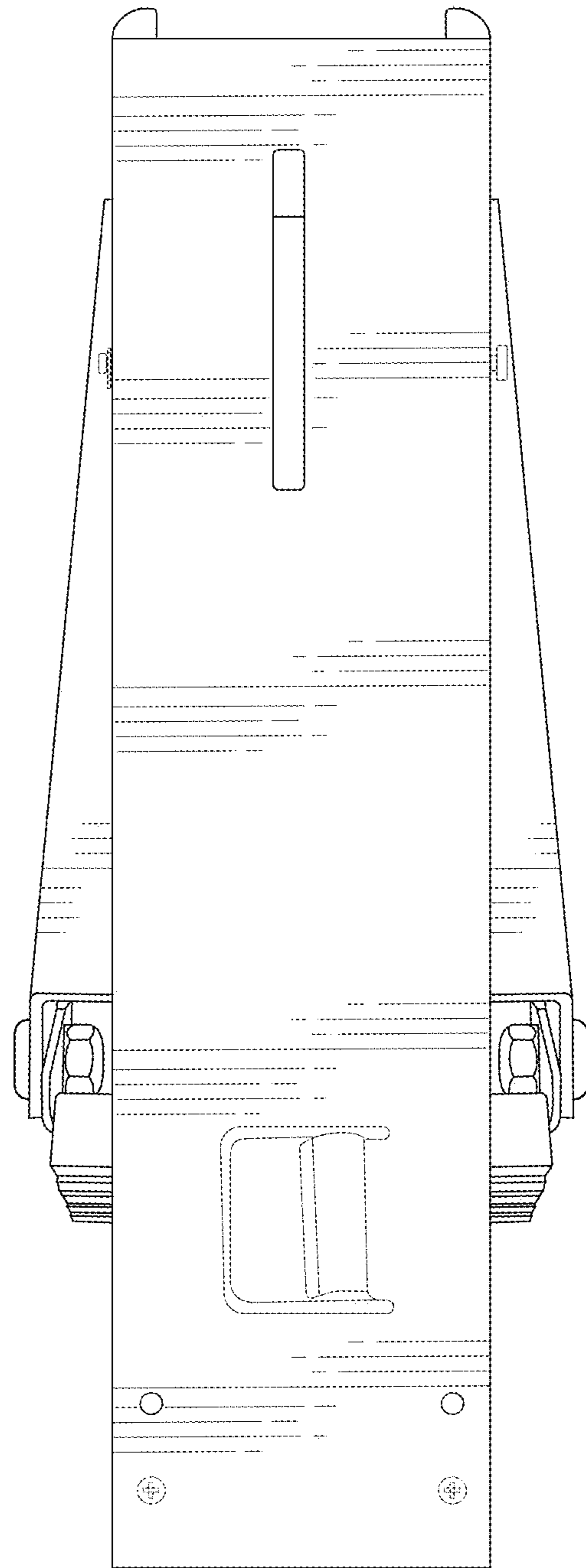


FIG. 7

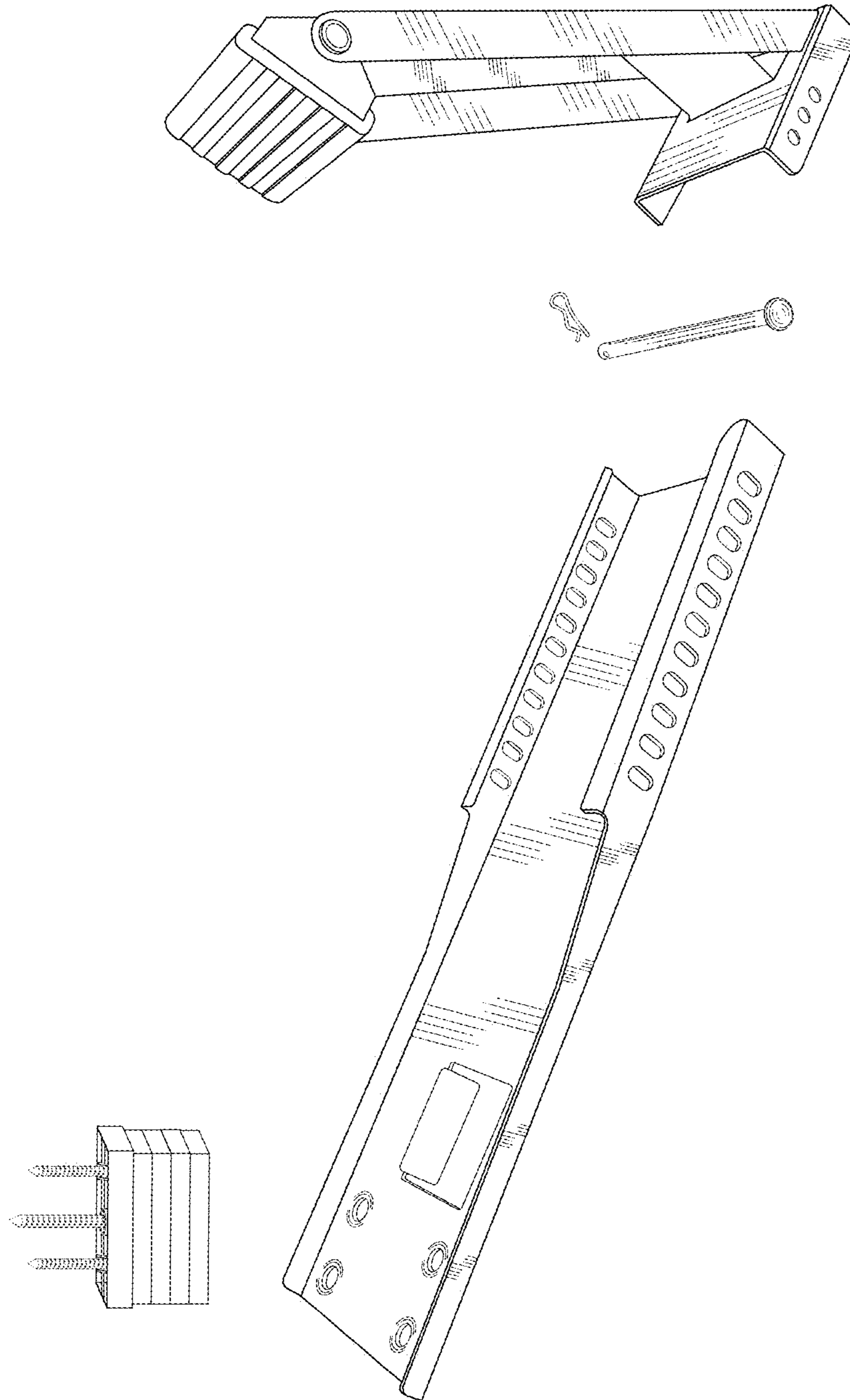


FIG. 8