



US00D936460S

(12) **United States Design Patent** (10) **Patent No.:** **US D936,460 S**
Rong (45) **Date of Patent:** **** Nov. 23, 2021**

(54) **FRAME ELEMENT**
(71) Applicant: **Zhijun Rong**, Guangdong (CN)
(72) Inventor: **Zhijun Rong**, Guangdong (CN)
(73) Assignee: **Shenzhen Century-star Audio & Visuals Co., Ltd**, Shenzhen (CN)
(**) Term: **15 Years**
(21) Appl. No.: **29/740,877**
(22) Filed: **Jul. 8, 2020**
(51) **LOC (13) Cl.** **08-05**
(52) **U.S. Cl.**
USPC **D8/355**
(58) **Field of Classification Search**
USPC D25/60, 61; D8/349, 354, 355
CPC G03B 21/58; G03B 21/56; A47G 5/00
See application file for complete search history.

2010/0079860 A1* 4/2010 Unno G03B 21/58
359/443
2010/0238544 A1* 9/2010 Elliott G03B 21/58
359/443
2011/0304823 A1* 12/2011 Wensing E04F 10/0692
353/15
2012/0140318 A1* 6/2012 Wang G03B 21/58
359/443
2017/0059981 A1* 3/2017 Yu G03B 21/56
2019/0049834 A1* 2/2019 Mathieson G03B 21/56
2019/0120422 A1* 4/2019 Zhang G03B 21/58
2020/0292930 A1* 9/2020 Long A47G 5/00
2020/0341363 A1* 10/2020 Redmon G03B 21/58

* cited by examiner

Primary Examiner — Llorelys Martinez

(57) **CLAIM**

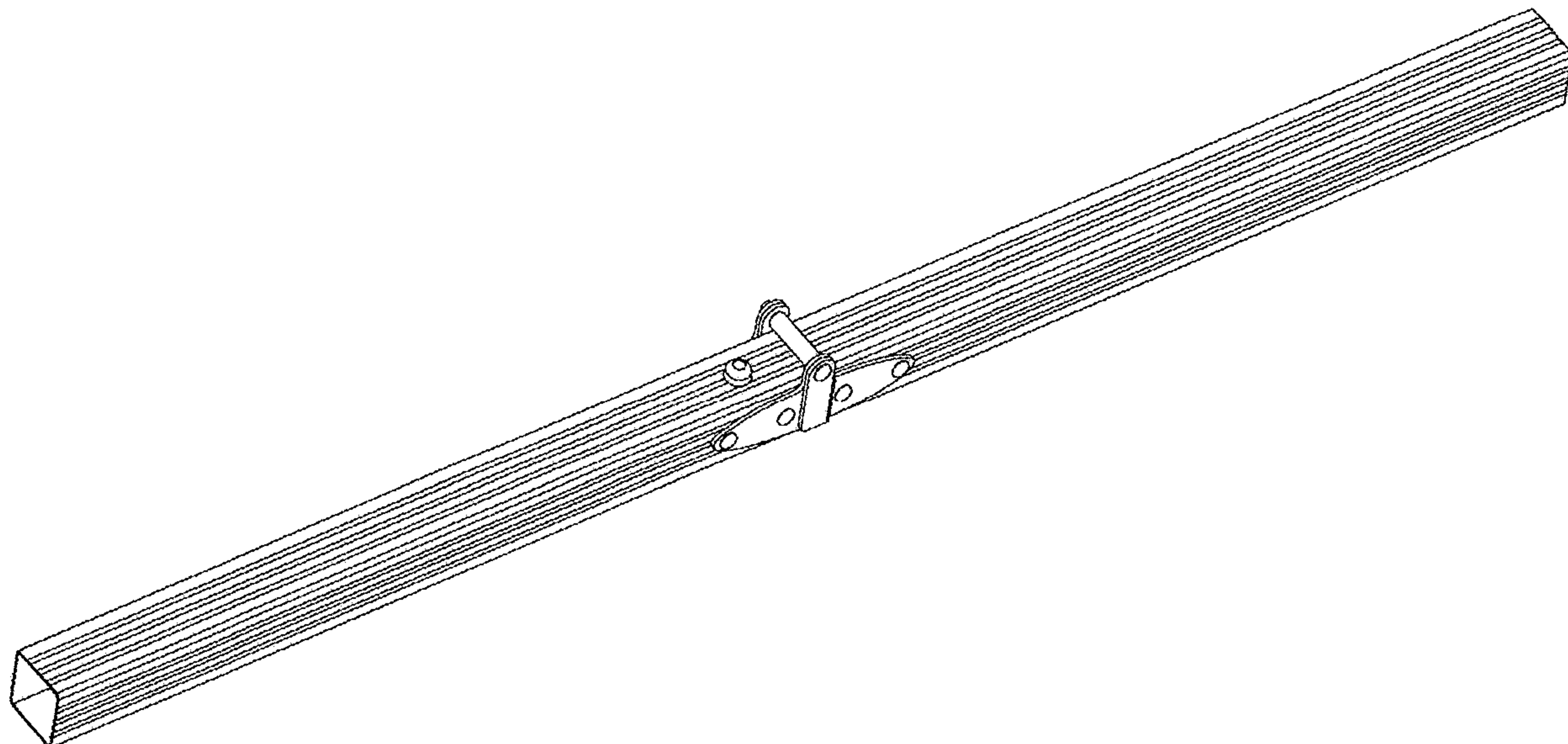
The ornamental design for a frame element, as shown and described.

DESCRIPTION

FIG. 1 is a perspective view of a frame element showing my new design;
FIG. 2 is a front elevation view thereof;
FIG. 3 is a rear elevation view thereof;
FIG. 4 is an enlarged left side elevation view thereof;
FIG. 5 is an enlarged right side elevation view thereof;
FIG. 6 is a top plan view thereof; and,
FIG. 7 is a bottom plan view thereof.
The broken lines in the drawings illustrate portions of the frame element that form no part of the claimed design.

1 Claim, 4 Drawing Sheets

(56) **References Cited**
U.S. PATENT DOCUMENTS
D251,451 S 3/1979 Toder
D312,315 S 11/1990 Westphal
D555,720 S 11/2007 Gant et al.
D583,219 S * 12/2008 Dagg D8/349
D765,882 S 9/2016 Deleu
D865,222 S * 10/2019 Cai D25/61
D879,326 S * 3/2020 Hendry D25/61
2003/0227675 A1* 12/2003 Stumpfl G03B 21/58
359/443
2005/0200951 A1* 9/2005 Redmon G03B 21/58
359/443



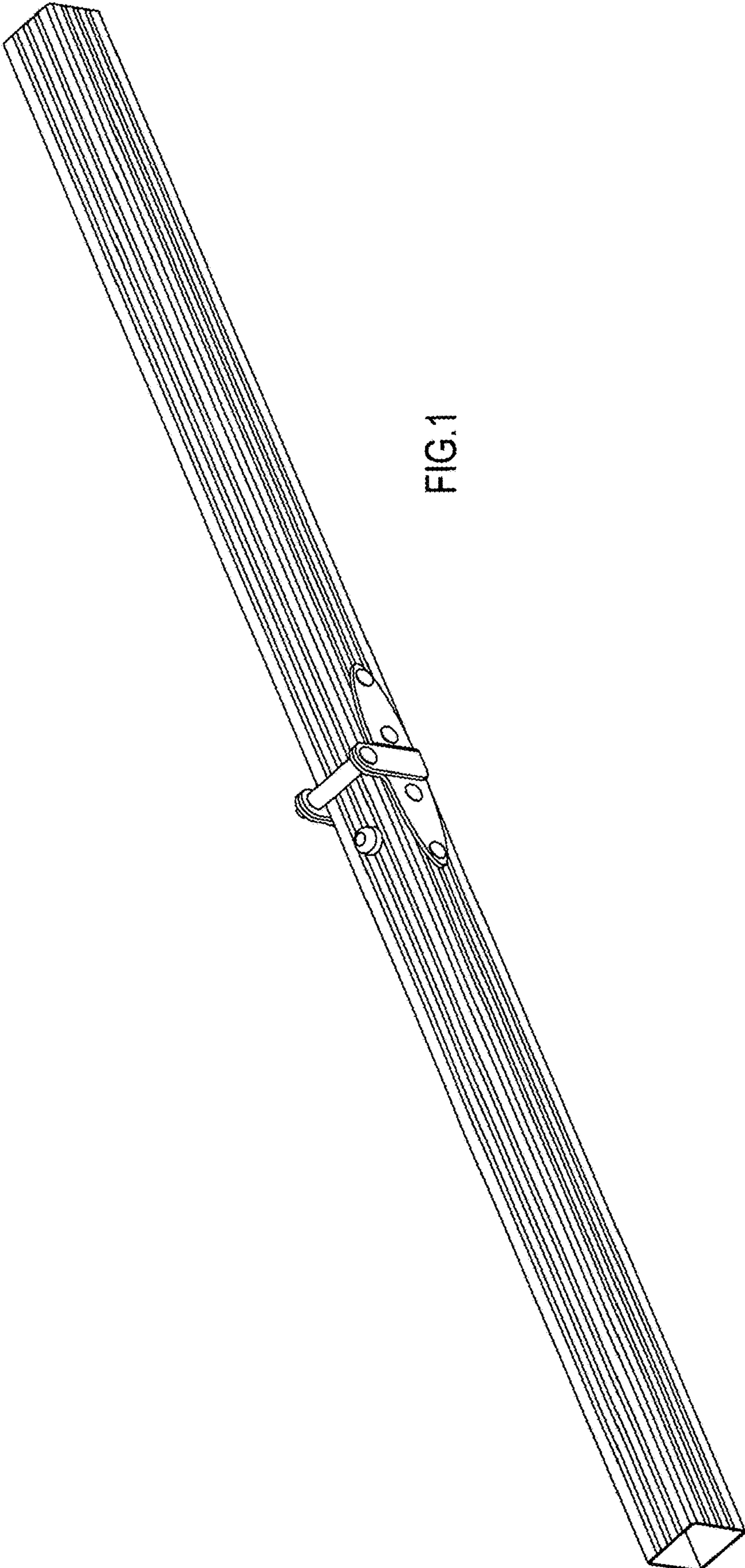


FIG.1

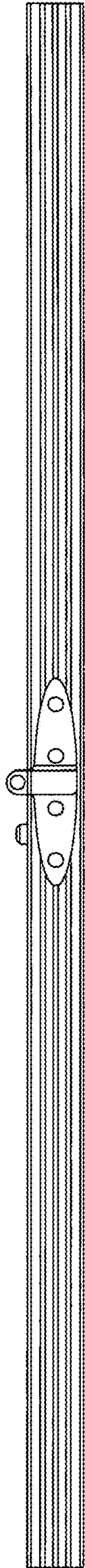


FIG. 2

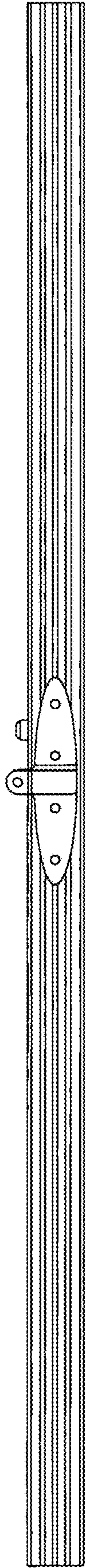


FIG. 3

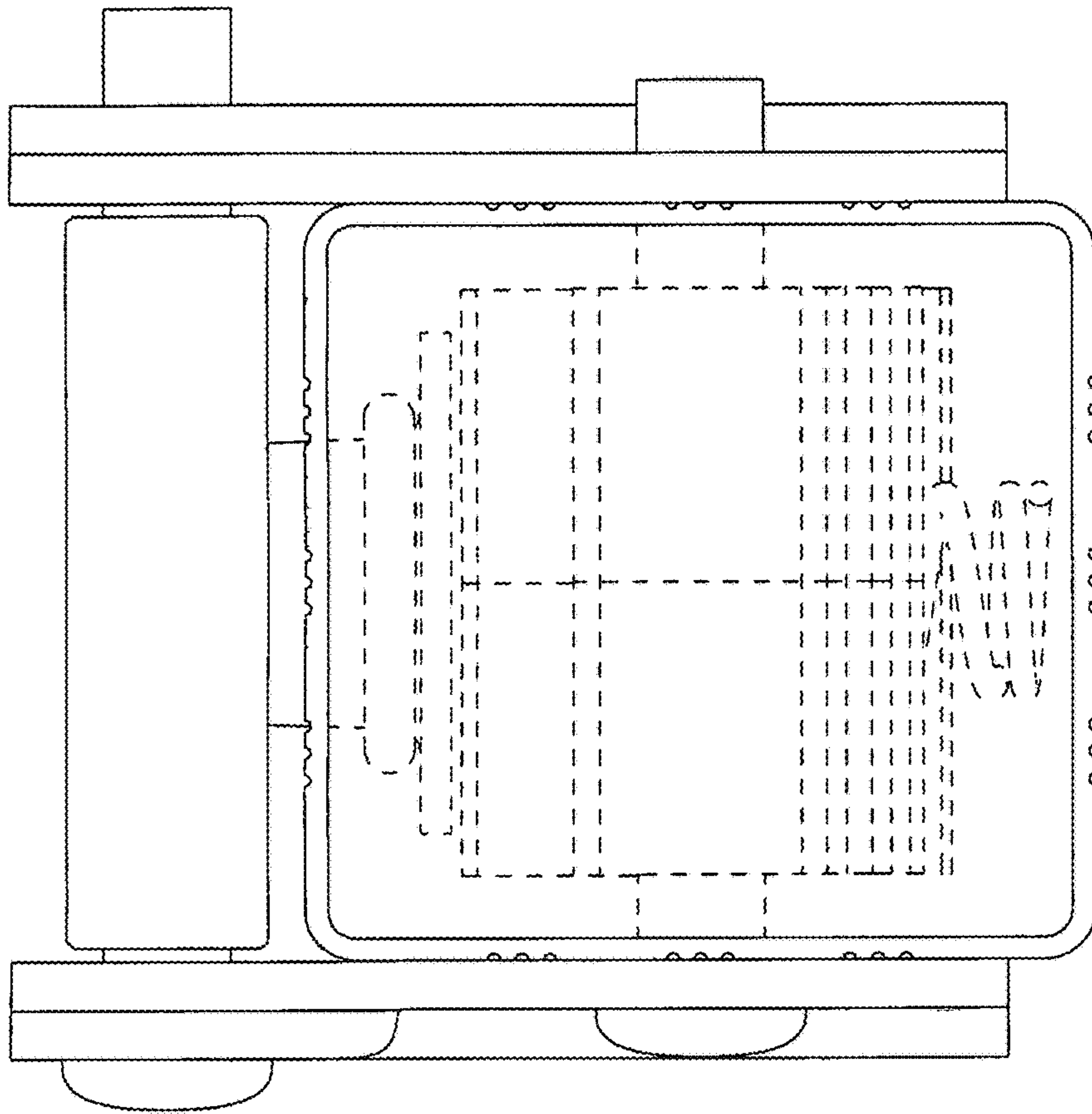


FIG.5

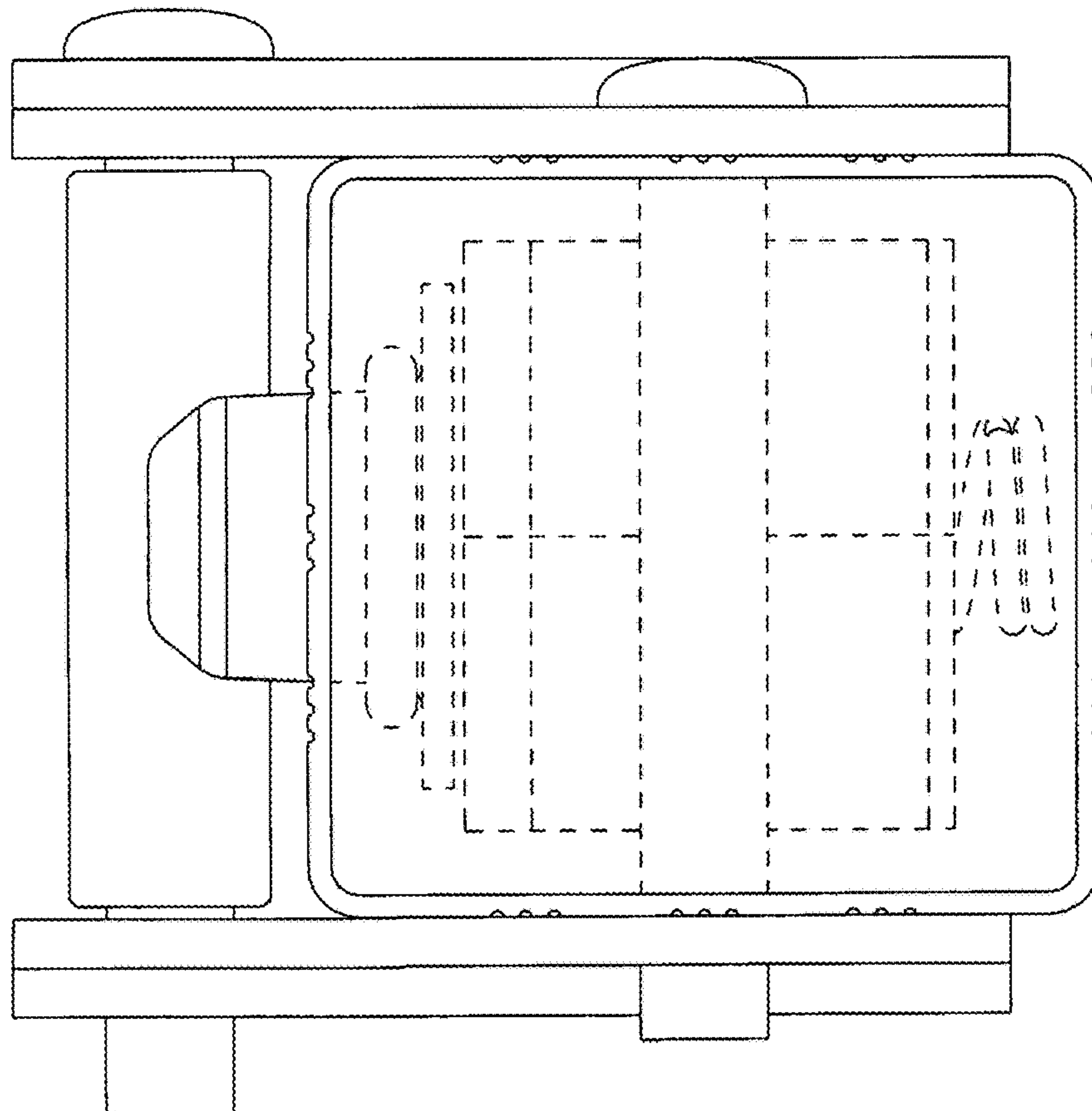


FIG.4

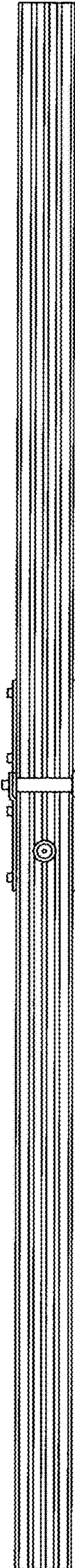


FIG. 6



FIG. 7