



US00D936459S

(12) **United States Design Patent**
Gosling

(10) **Patent No.:** **US D936,459 S**

(45) **Date of Patent:** **** Nov. 23, 2021**

(54) **DOOR AND CEILING FRAME COMPONENT**

(71) Applicant: **DIRTT Environmental Solutions, Ltd., Calgary (CA)**

(72) Inventor: **Geoff W. Gosling, Calgary (CA)**

(73) Assignee: **DIRTT ENVIRONMENTAL SOLUTIONS LTD., Calgary (CA)**

(**) Term: **15 Years**

(21) Appl. No.: **29/709,369**

(22) Filed: **Oct. 14, 2019**

(51) **LOC (13) Cl.** **08-05**

(52) **U.S. Cl.**
USPC **D8/354**

(58) **Field of Classification Search**
USPC D8/354, 349, 353, 363, 382; D20/43;
D6/328; D15/28; D25/68
CPC E05D 15/0652; E05Y 2201/11; E05Y
2600/41; G01D 11/30; F16B 2/08; F15B
15/2892; H01R 11/11; F16L 23/036
See application file for complete search history.

(56) **References Cited**

U.S. PATENT DOCUMENTS

D198,471 S	*	6/1964	Rankin	D8/381
D201,673 S	*	7/1965	Stevens	D25/119
D202,779 S	*	11/1965	Rosenbaum	D8/377
D266,143 S	*	9/1982	Smith	D8/377
D270,188 S	*	8/1983	Whitehouse	D25/119
4,825,529 A	*	5/1989	Sawada	A47G 1/101 29/897.3
D322,255 S	*	12/1991	Prados	D8/380
D344,423 S	*	2/1994	Pate	D25/119
D357,407 S	*	4/1995	Pate	D8/381
D417,607 S	*	12/1999	Vining	D25/119
D459,981 S	*	7/2002	Betts	D25/119
D506,125 S	*	6/2005	Munson	D8/373
D537,325 S	*	2/2007	Wolff	D8/381

D537,326 S	*	2/2007	Wolff	D8/381
D584,941 S	*	1/2009	Broehl	D8/377
D629,215 S	*	12/2010	Burkman	A47F 7/144 D6/300
D661,746 S	*	6/2012	Baldursson	D20/44
D703,762 S	*	4/2014	Baldursson	D20/44
D749,404 S	*	2/2016	White	G09F 7/18 D8/380
D751,375 S	*	3/2016	White	D8/380
D754,543 S	*	4/2016	Donadee	D9/455
D755,041 S	*	5/2016	Weldon	D8/377
D790,079 S	*	6/2017	Singh	D25/119
D794,833 S	*	8/2017	Singh	D25/119

(Continued)

FOREIGN PATENT DOCUMENTS

GB	8209670000-1000	*	3/2020
WO	WOD207933-001	*	5/2020
WO	WOD209670-001	*	8/2020

Primary Examiner — Janice Patyk

Assistant Examiner — Riah D Buchanan

(74) *Attorney, Agent, or Firm* — Workman Nydegger

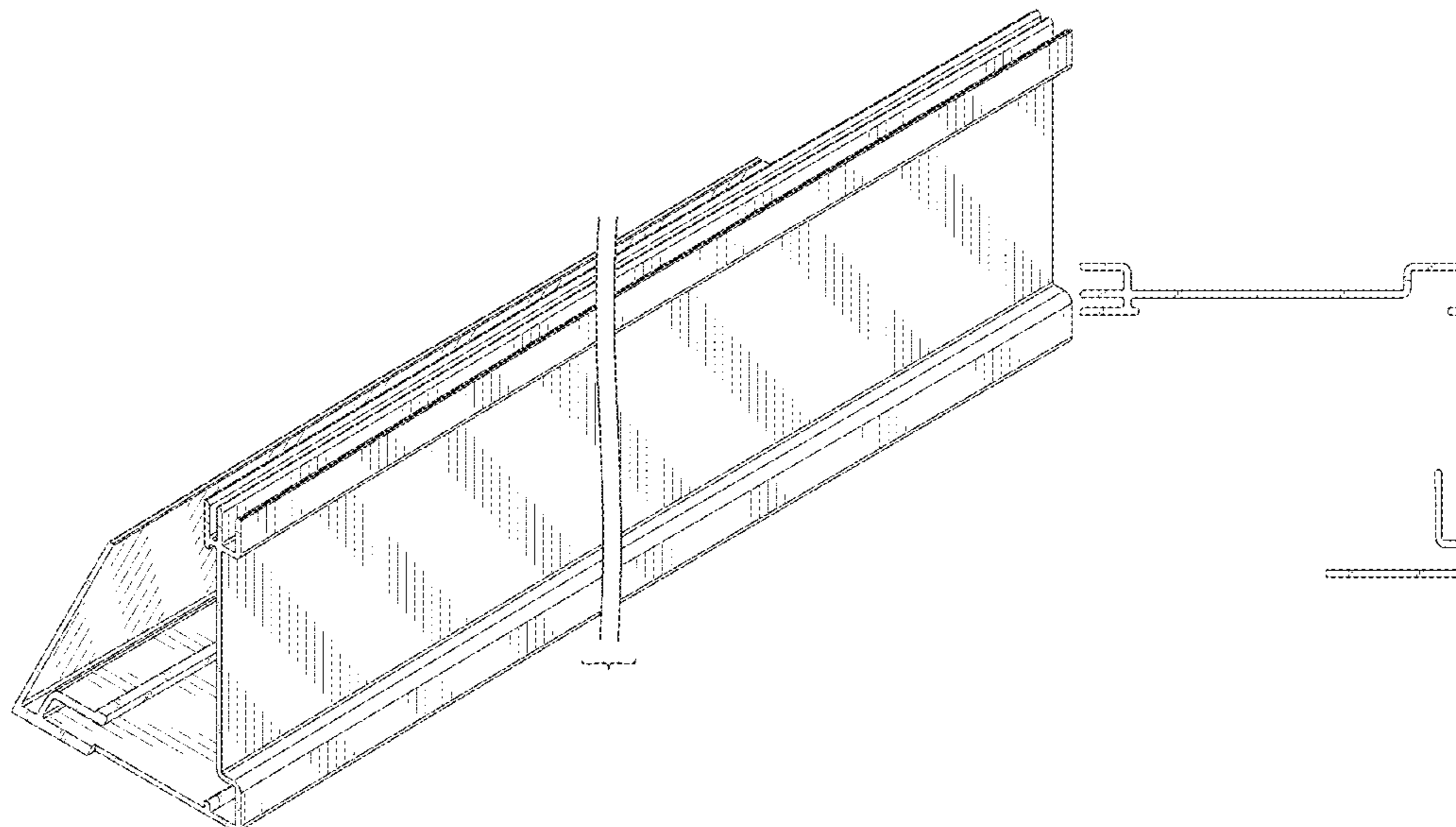
(57) **CLAIM**

The ornamental design for a door and ceiling frame component, as shown and described.

DESCRIPTION

FIG. 1 is a top front perspective view of a door and ceiling frame component showing my new design; FIG. 2 is a front elevational view thereof; FIG. 3 is a rear elevational view thereof; FIG. 4 is a right side elevational view thereof; FIG. 5 is a left side elevational view thereof; FIG. 6 is a top plan view thereof; and, FIG. 7 is a bottom plan elevational view thereof. The symbolic breaks shown in the drawings indicate that any portion of the article between the break lines forms no part of the claimed design.

1 Claim, 5 Drawing Sheets



(56)

References Cited

U.S. PATENT DOCUMENTS

D796,579 S * 9/2017 Souhala D20/43
D834,928 S * 12/2018 Lu D8/381
D856,784 S * 8/2019 Zeilinger D8/354
D861,196 S * 9/2019 Apanovich D25/164
D875,222 S * 2/2020 Gori D23/267
D875,898 S * 2/2020 Gori D23/267
10,575,662 B2 * 3/2020 Lomax A47G 1/02
10,648,613 B1 * 5/2020 Anonen F16M 11/045
D890,085 S * 7/2020 Baird D13/102
10,702,078 B1 * 7/2020 Walker G09F 3/208
D905,283 S * 12/2020 Hay, III D25/119
D911,558 S * 2/2021 McKinley D25/119
2015/0211275 A1 * 7/2015 Terno F16M 13/02
16/93 R
2015/0211276 A1 * 7/2015 Gabriel E05D 13/00
49/456
2018/0058121 A1 * 3/2018 Ishii E05F 1/046
2018/0274277 A1 * 9/2018 Chang E05D 15/063
2018/0335078 A1 * 11/2018 Andersson F16C 29/005
2019/0023537 A1 * 1/2019 Rasanen B66B 13/08
2019/0112854 A1 * 4/2019 Haab E05D 15/0652
2020/0224471 A1 * 7/2020 Dreisewerd E05D 3/14
2020/0366076 A1 * 11/2020 Naugler F16B 2/22
2021/0115716 A1 * 4/2021 Watanabe B64C 1/1461

* cited by examiner

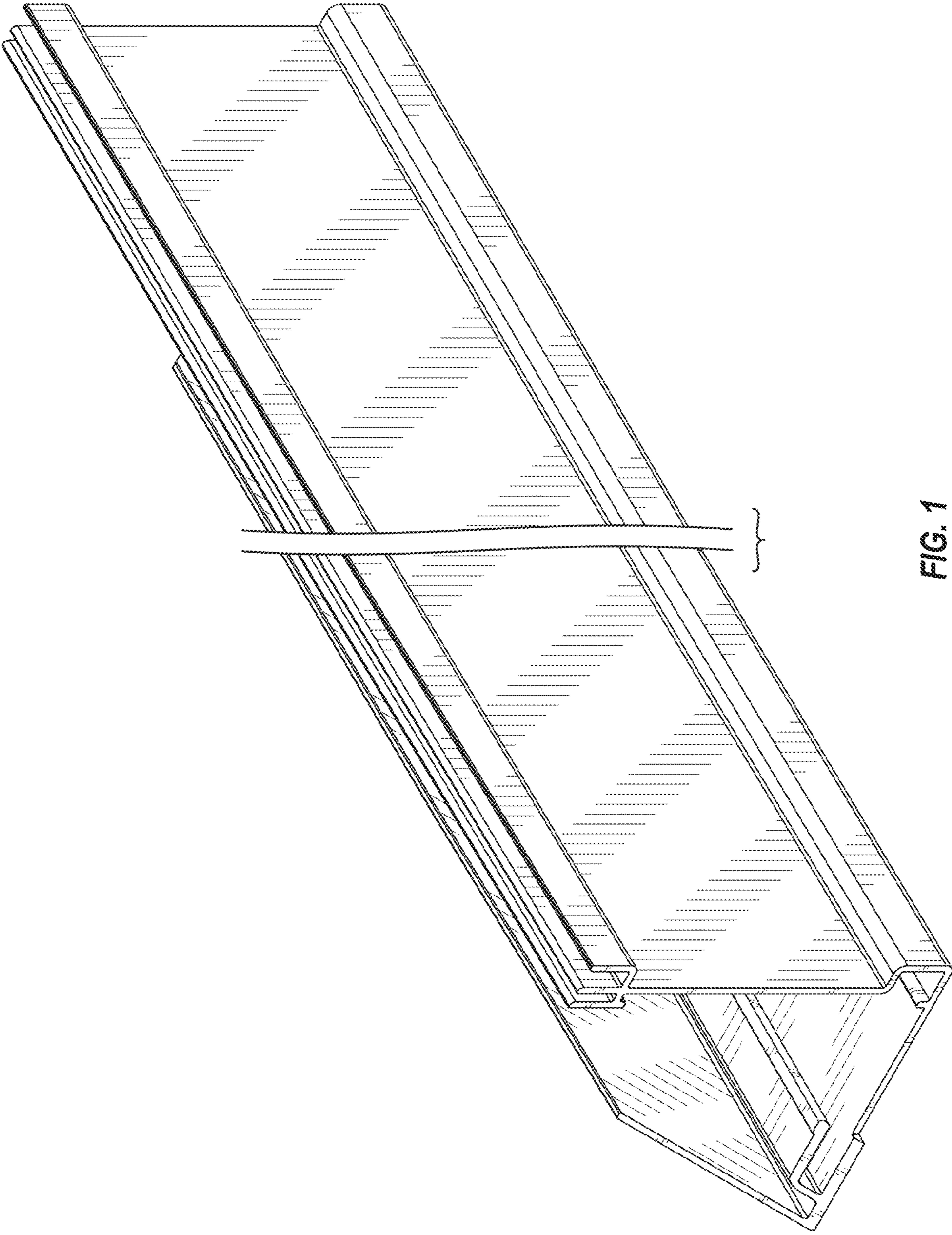


FIG. 1

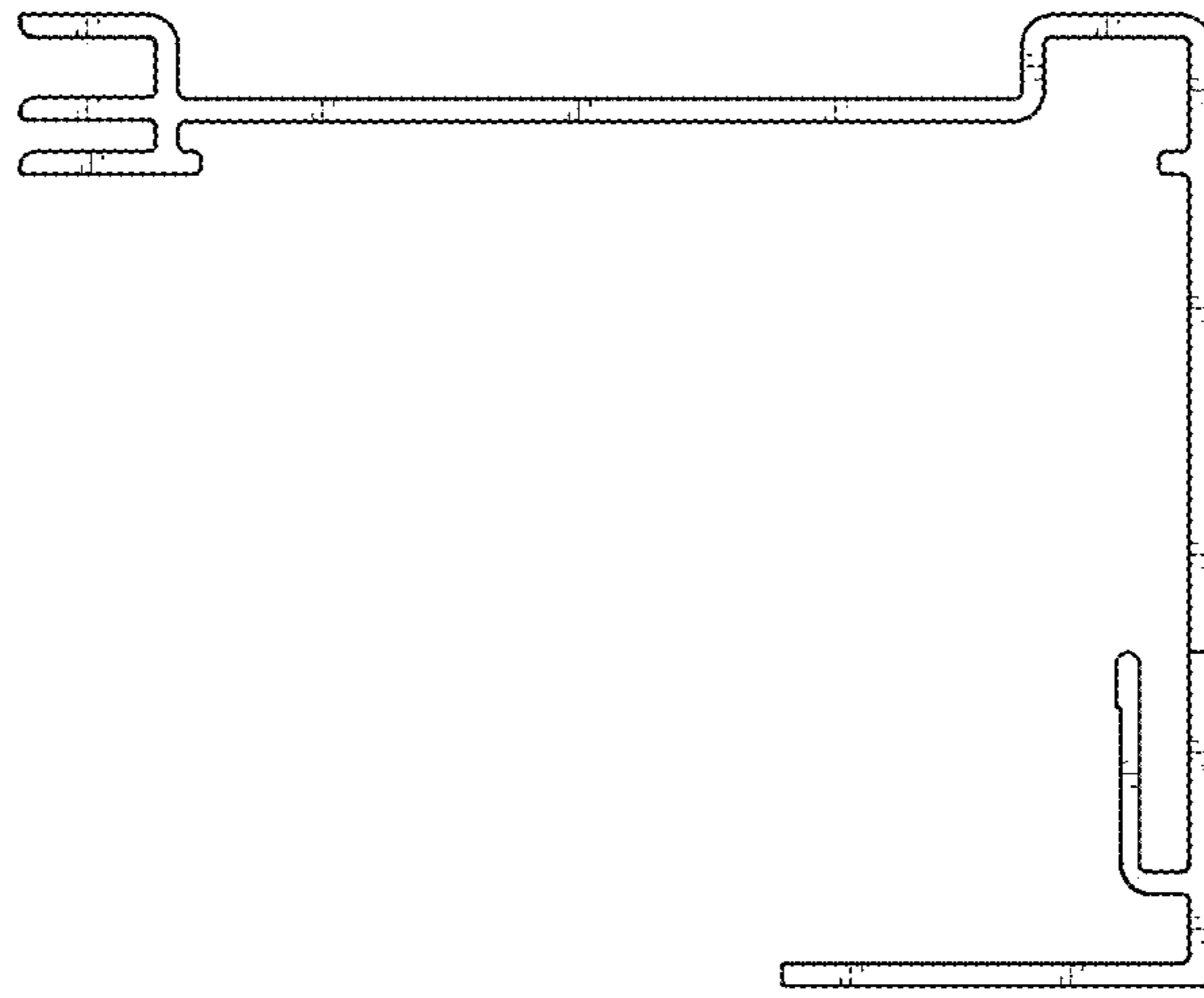


FIG. 2

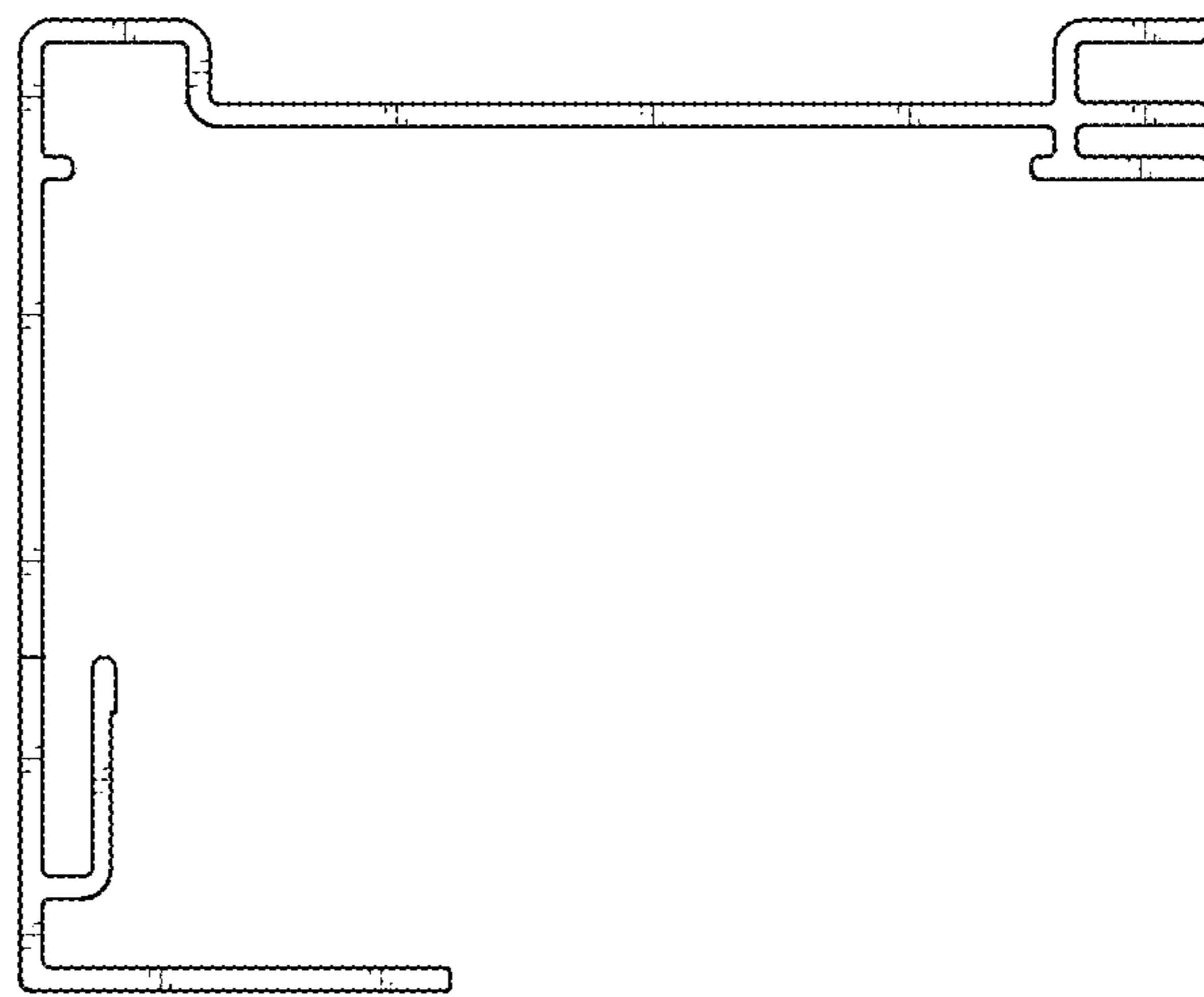


FIG. 3

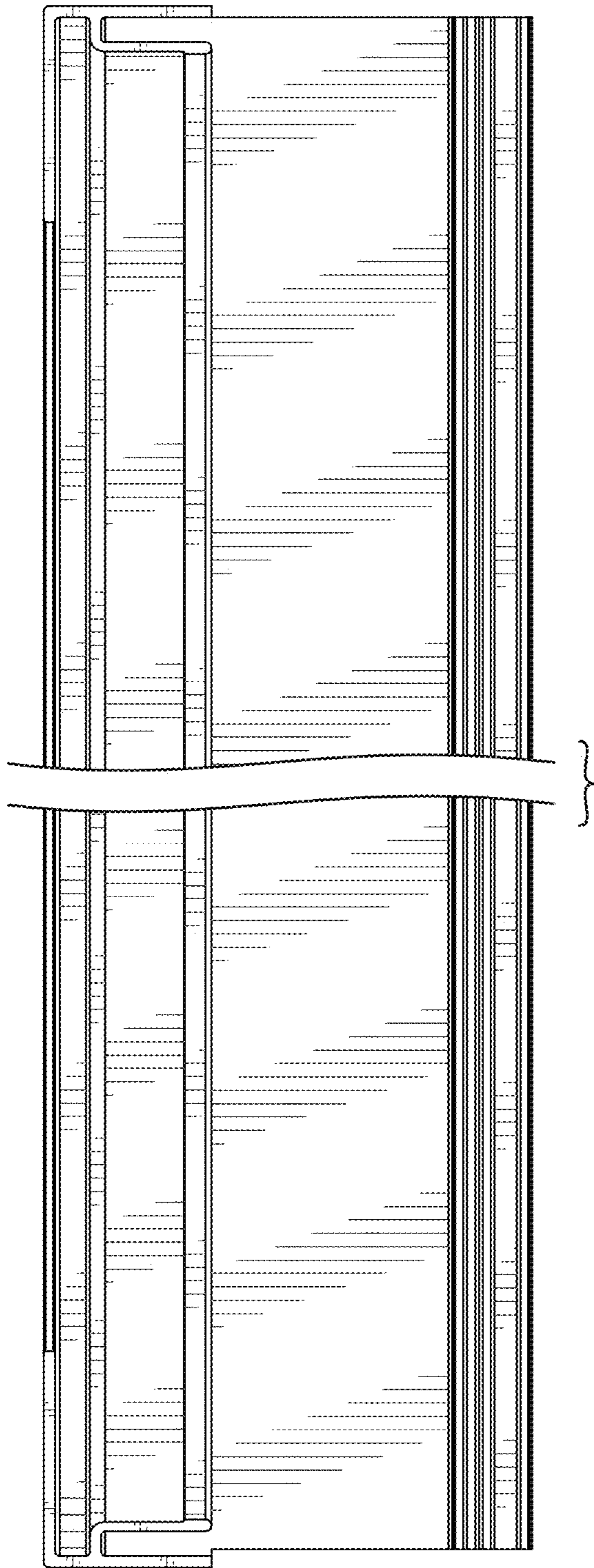


FIG. 4

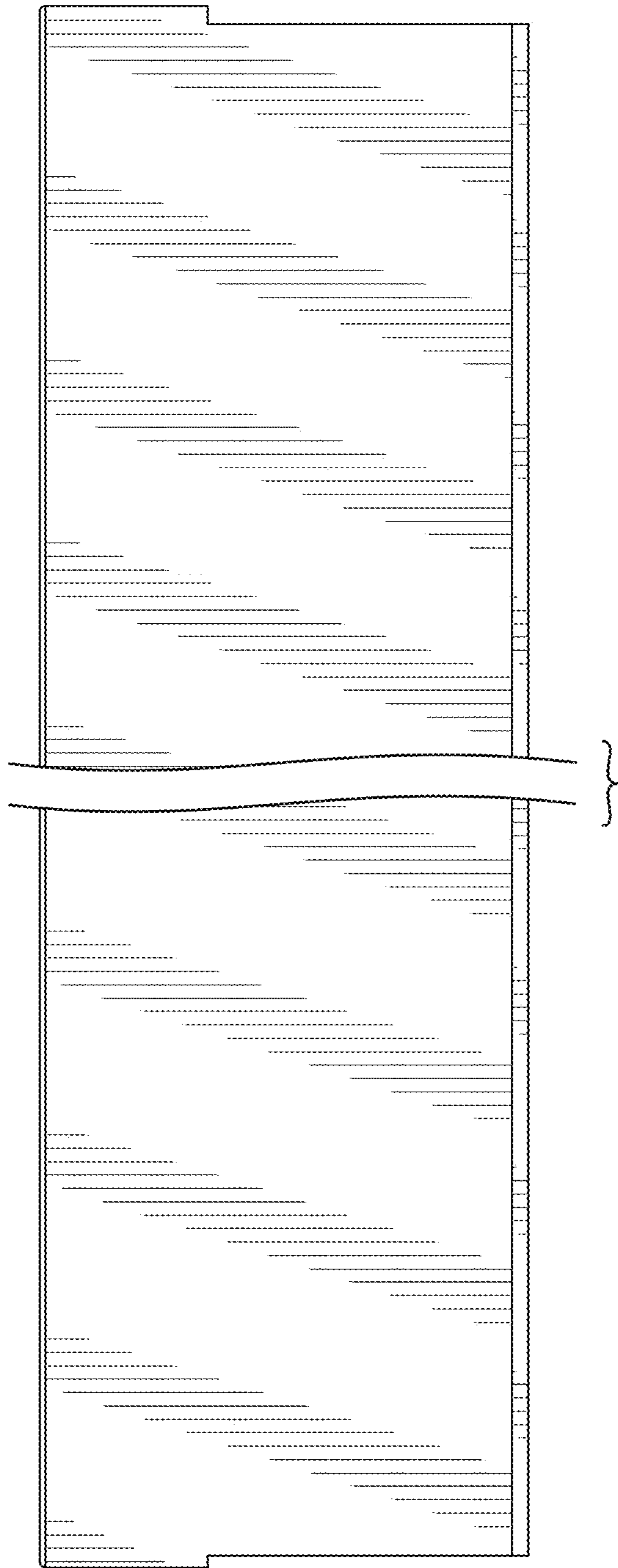


FIG. 5

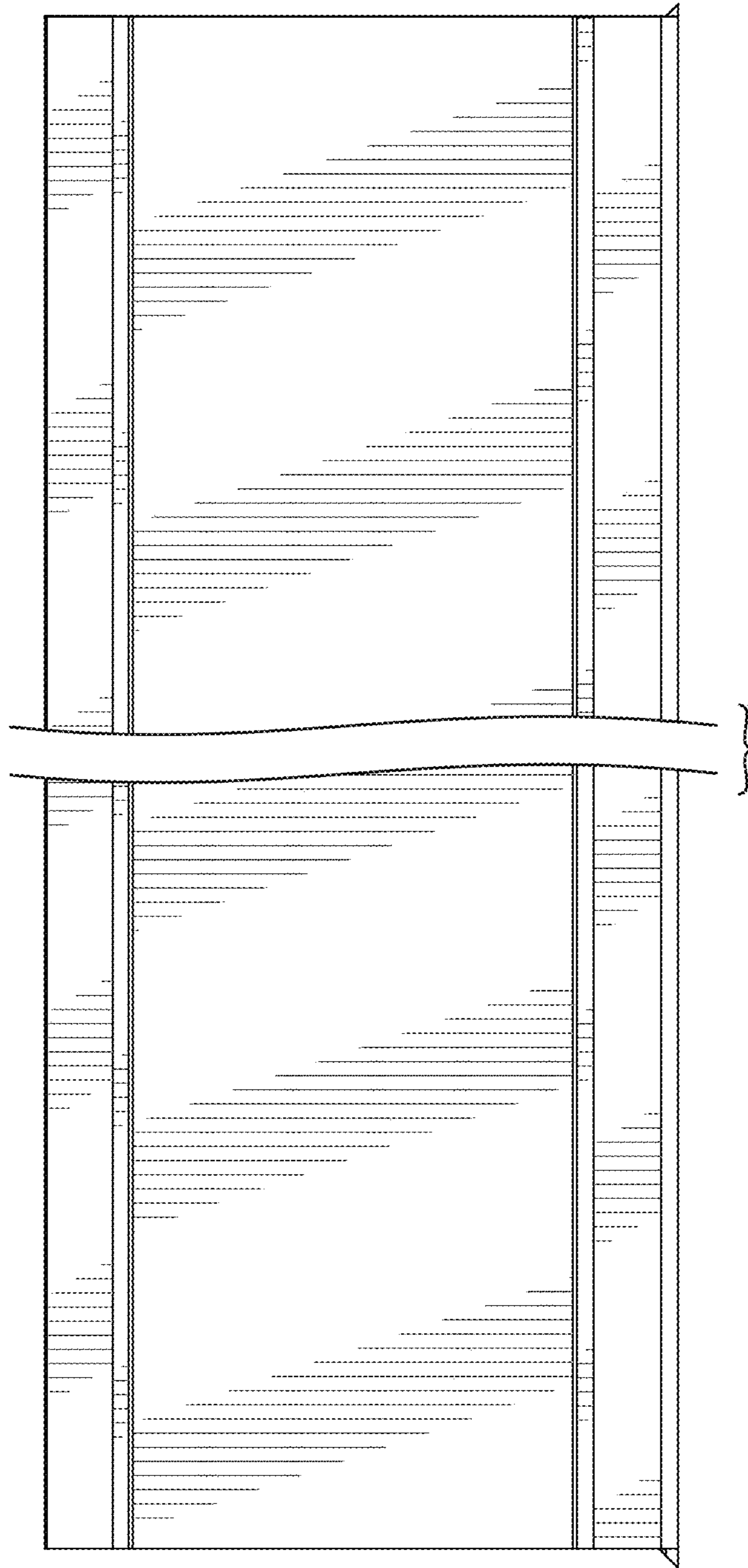


FIG. 6

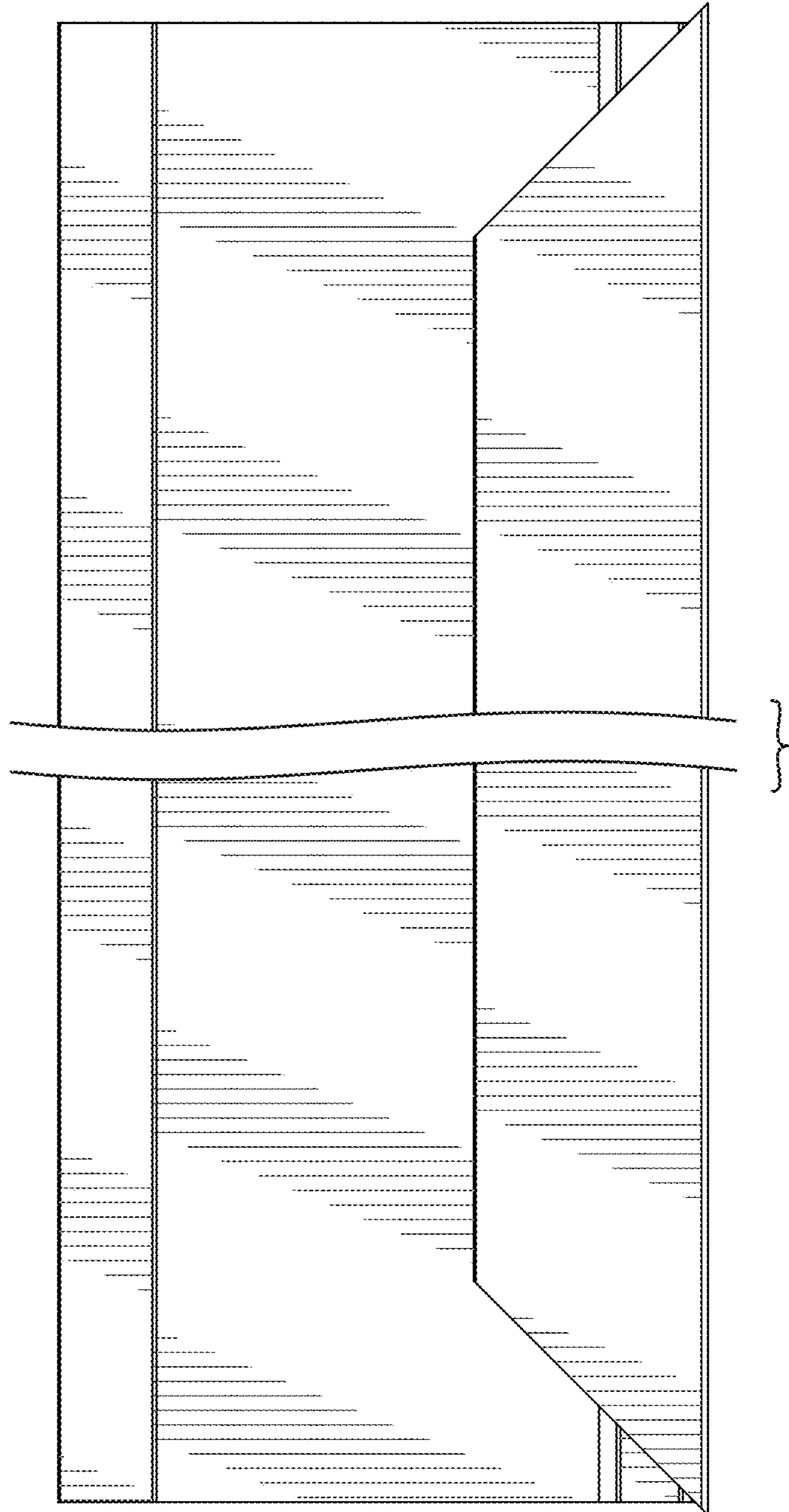


FIG. 7