



US00D936458S

(12) **United States Design Patent** (10) **Patent No.:** **US D936,458 S**
Wu (45) **Date of Patent:** **** Nov. 23, 2021**

(54) **SPRING**

(56) **References Cited**

(71) Applicants: **DINKLE ENTERPRISE CO., LTD.**,
New Taipei (TW); **DINKLE**
ELECTRIC MACHINERY (CHINA)
CO., LTD., Jiangsu (CN)

U.S. PATENT DOCUMENTS

D569,801 S	*	5/2008	Chuang	D13/133
D582,348 S	*	12/2008	Shiu	D13/133
D625,580 S	*	10/2010	Giordano	D8/349
D632,158 S	*	2/2011	Yang	D8/349
D732,930 S	*	6/2015	Harrow	D8/354
D750,476 S	*	3/2016	Huang	D8/395
D759,475 S	*	6/2016	Banno	D8/395
D759,476 S	*	6/2016	Iwahara	D8/395
D767,372 S	*	9/2016	Itou	H02G 3/26
					D8/356
D850,890 S	*	6/2019	Cole	D8/354
D884,465 S	*	5/2020	Chen	D8/382

(72) Inventor: **Shang-Tsai Wu**, New Taipei (TW)

(73) Assignees: **DINKLE ENTERPRISE CO., LTD.**,
New Taipei (TW); **DINKLE**
ELECTRIC MACHINERY (CHINA)
CO., LTD., Jiangsu (CN)

(**) Term: **15 Years**

* cited by examiner

(21) Appl. No.: **29/737,652**

Primary Examiner — Mark A Goodwin

(22) Filed: **Jun. 10, 2020**

(74) *Attorney, Agent, or Firm* — Chun-Ming Shih; HDLS
IPR Services

(51) **LOC (13) Cl.** **08-05**

(57) **CLAIM**

(52) **U.S. Cl.**
USPC **D8/349**

The ornamental design for a spring, as shown and described.

(58) **Field of Classification Search**

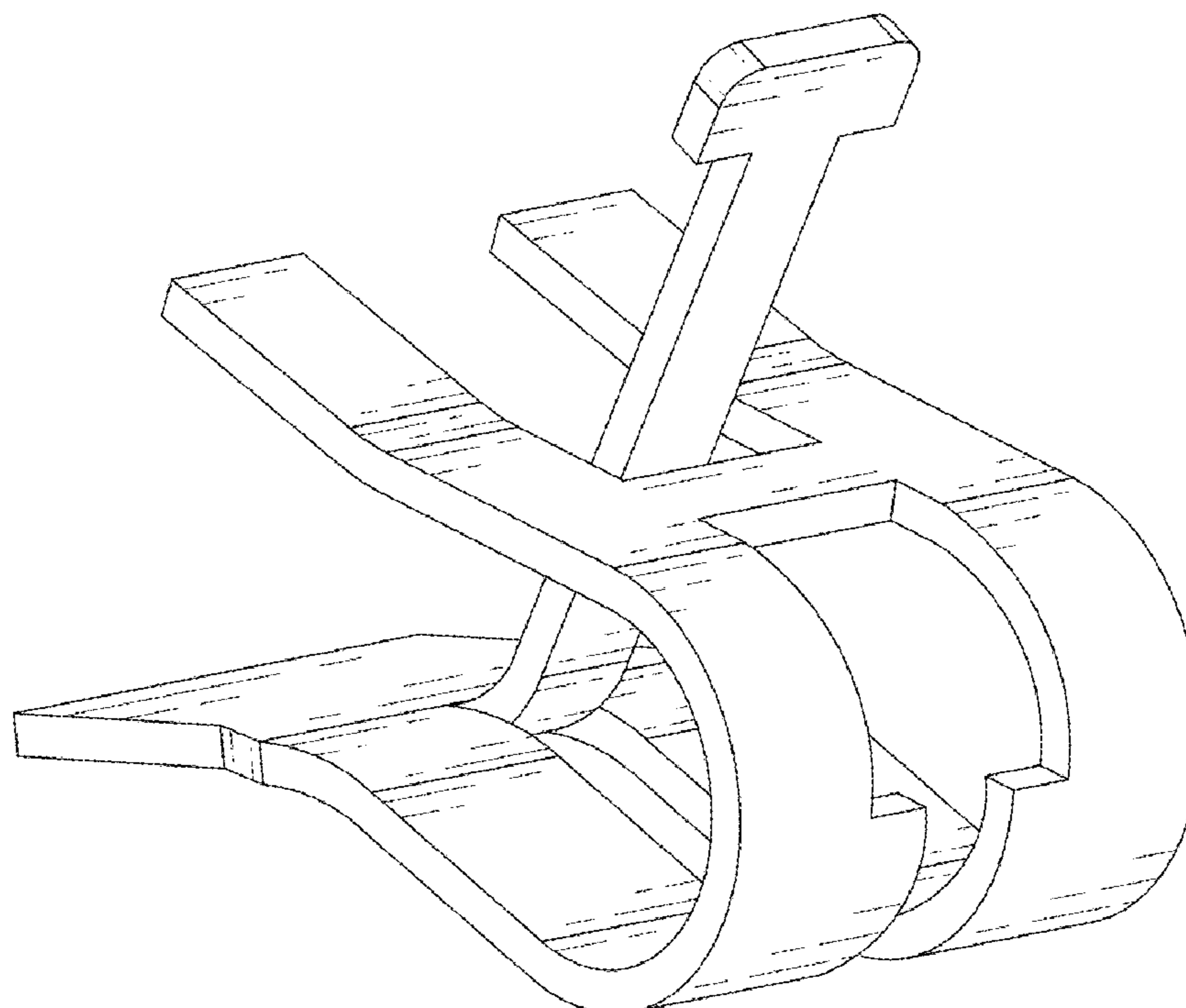
DESCRIPTION

USPC D8/349, 354, 356, 366, 373, 380, 382,
D8/394, 395, 381, 363; D25/119, 121,
D25/124, 125, 136, 138; D13/133, 147,
D13/154, 155, 184, 199; D12/223
CPC E04F 11/166; E04F 13/26; E04F 13/0826;
E04F 15/02044; E04F 15/048; E04F
15/02038; E04F 15/02005; E04F 19/02;
E04F 19/066; E04F 19/061; E04F
2015/02077; E04F 2015/02094; E04F
2201/0547; E04B 1/40; E04B 2001/405

FIG. 1 is a perspective view of a spring showing my new
design;
FIG. 2 is a front view thereof;
FIG. 3 is a rear view thereof;
FIG. 4 is a left side view thereof;
FIG. 5 is a right side view thereof;
FIG. 6 is a top view thereof;
FIG. 7 is a bottom view thereof; and,
FIG. 8 is second perspective view showing the spring.

See application file for complete search history.

1 Claim, 8 Drawing Sheets



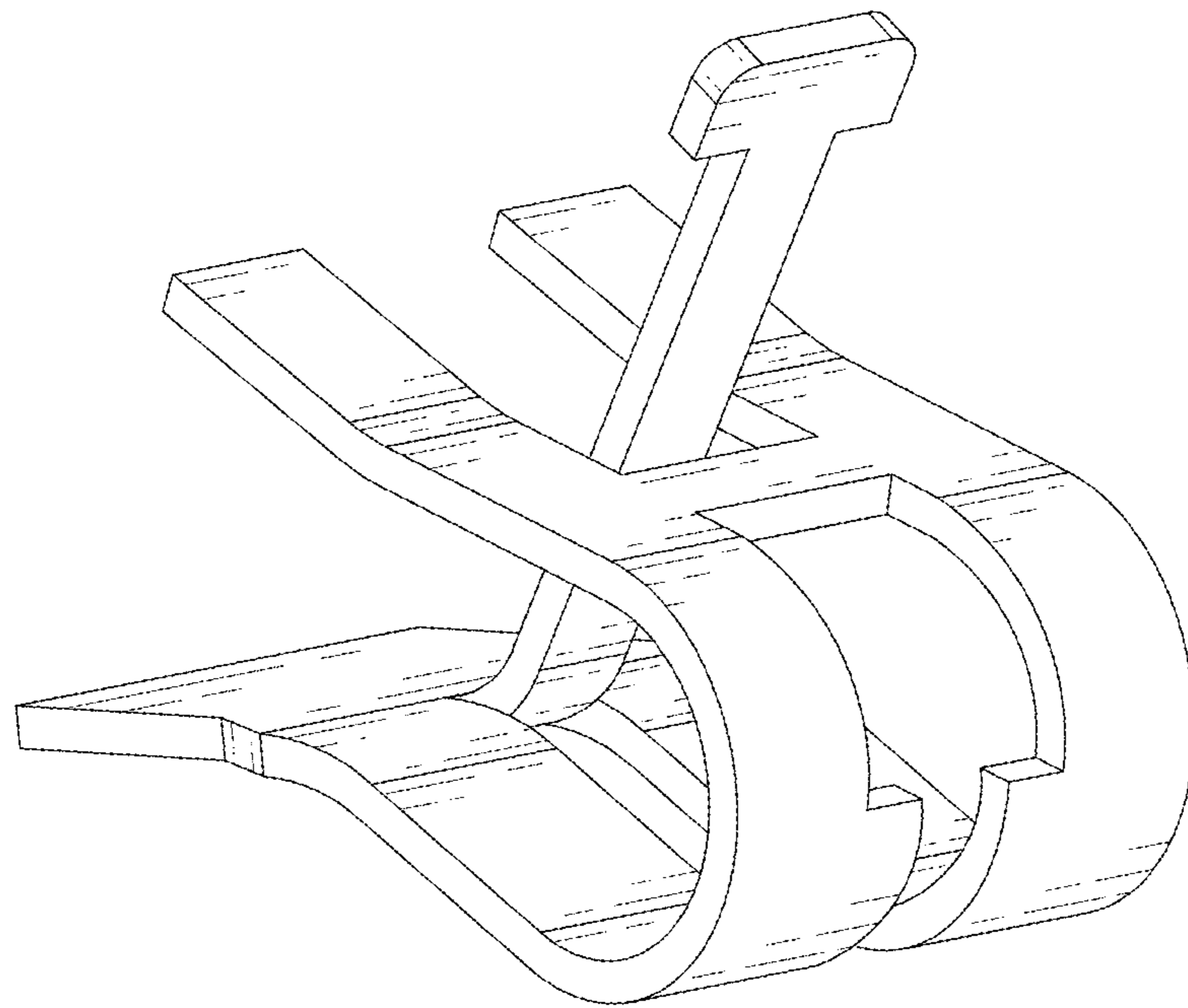


FIG.1

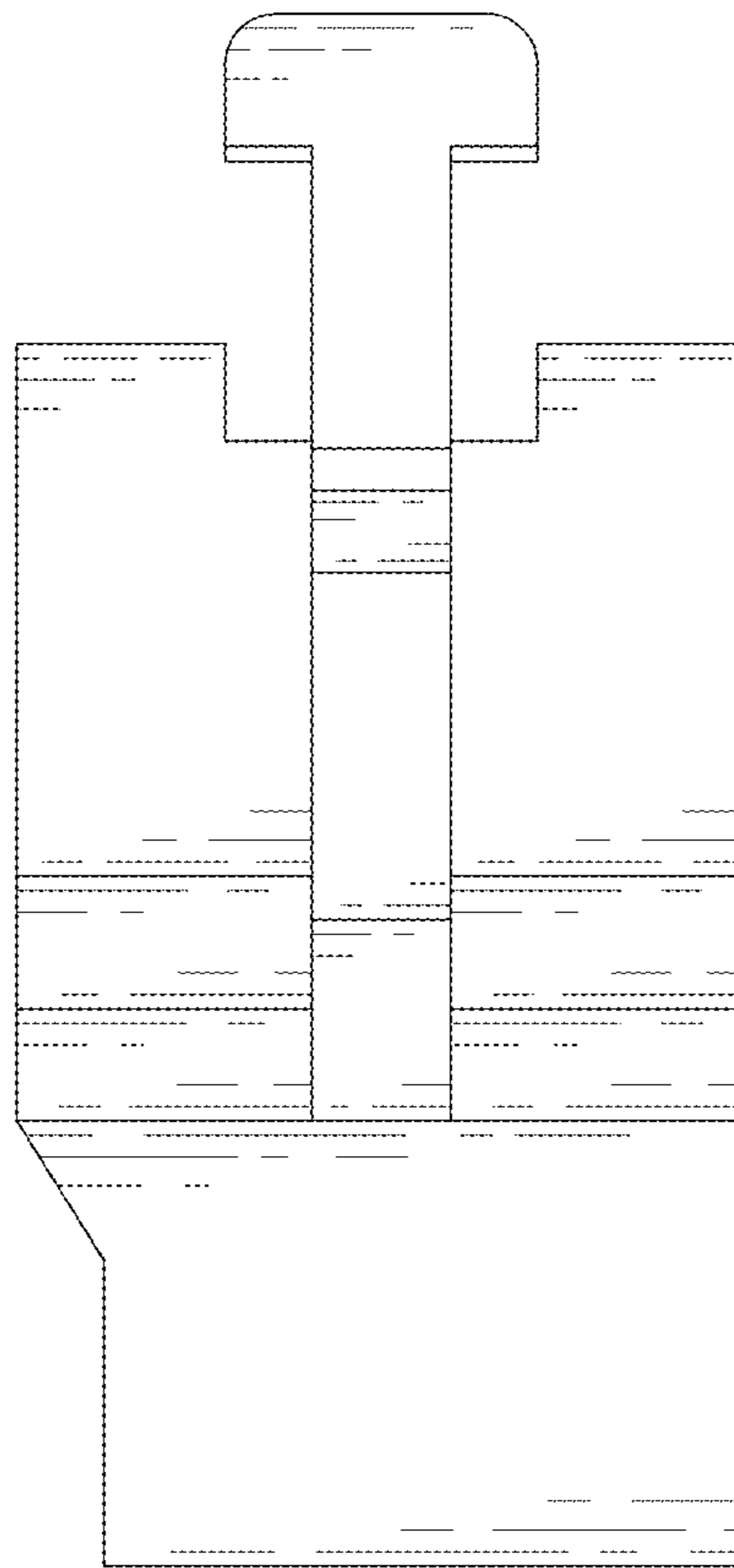


FIG.2

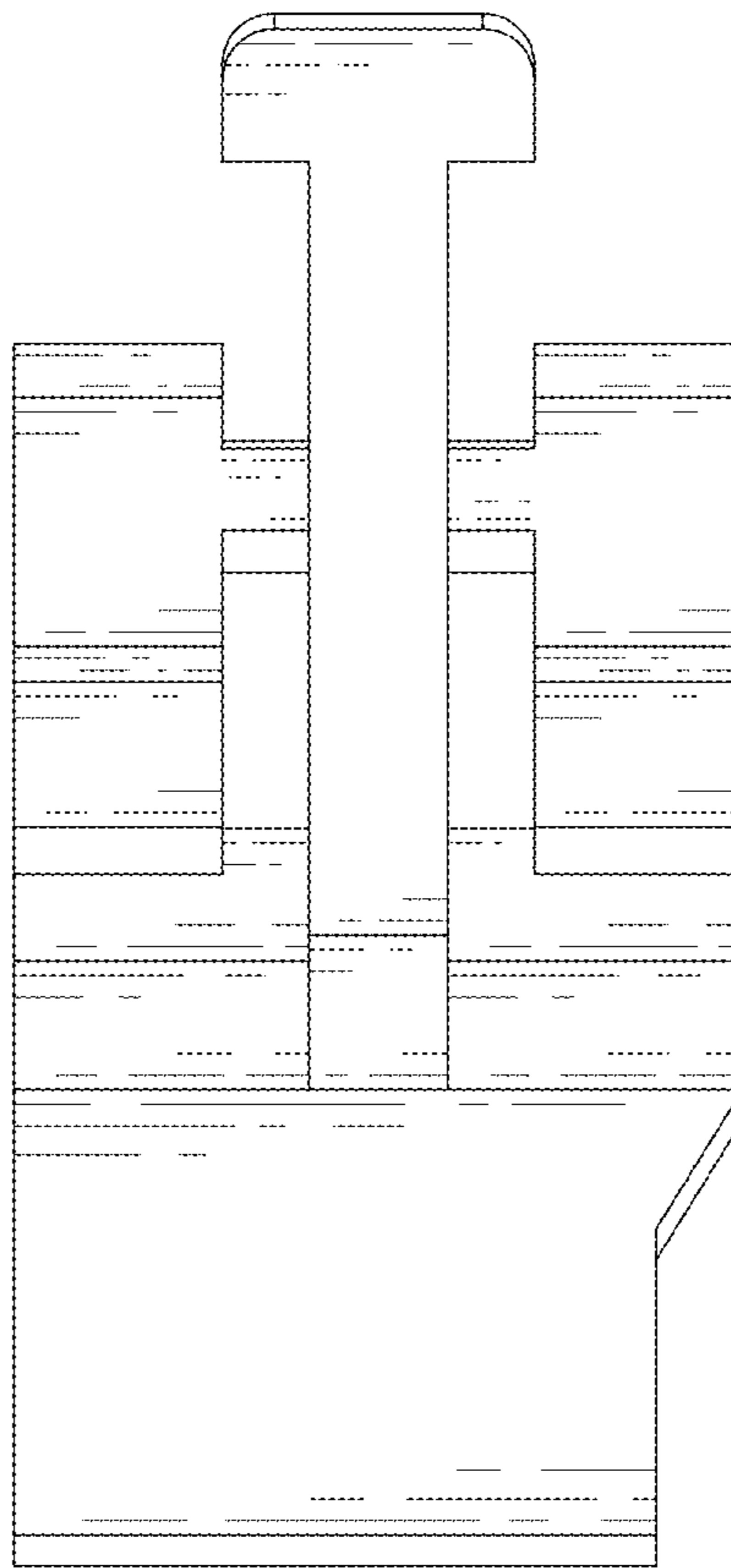


FIG.3

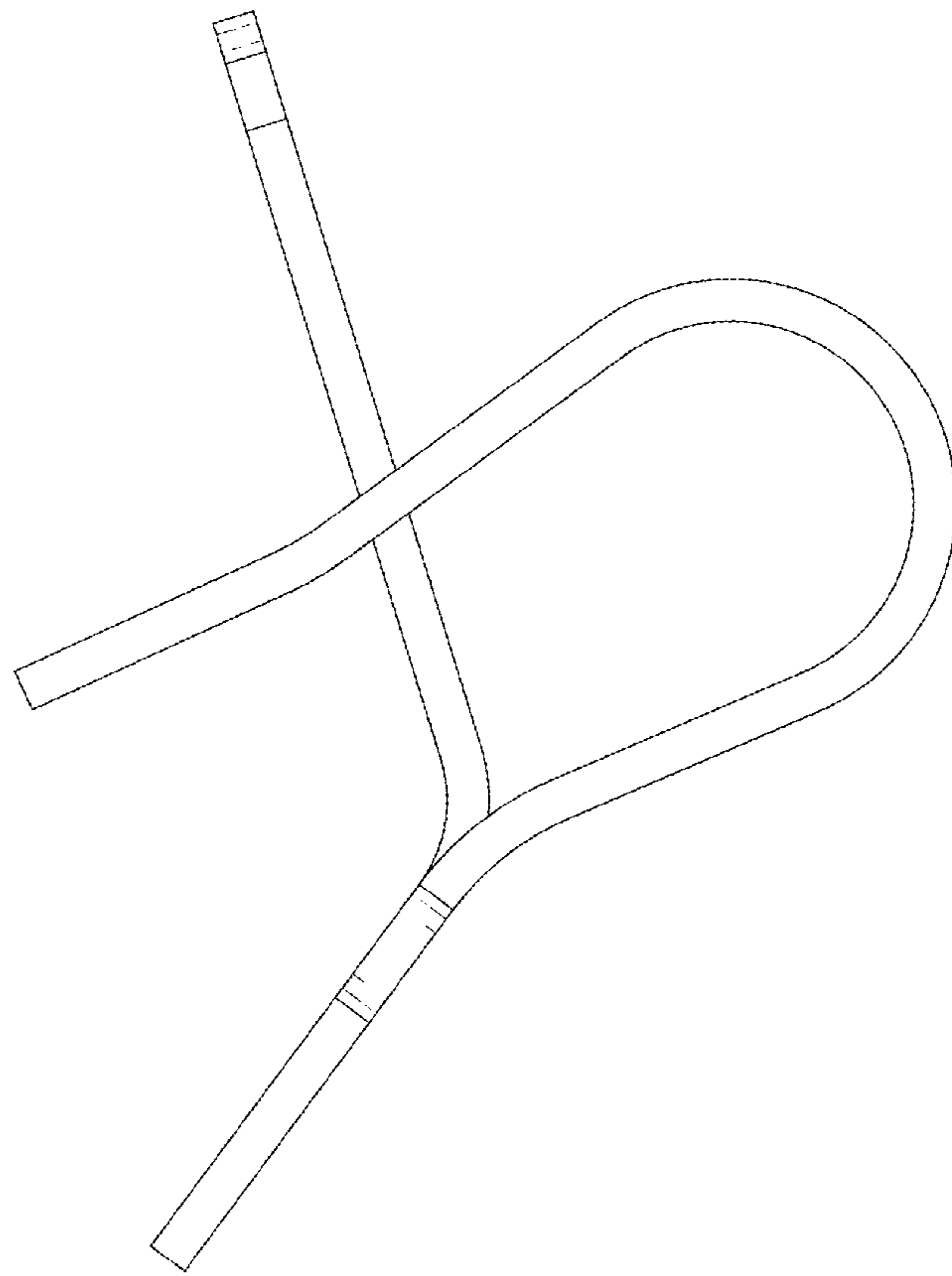


FIG.4

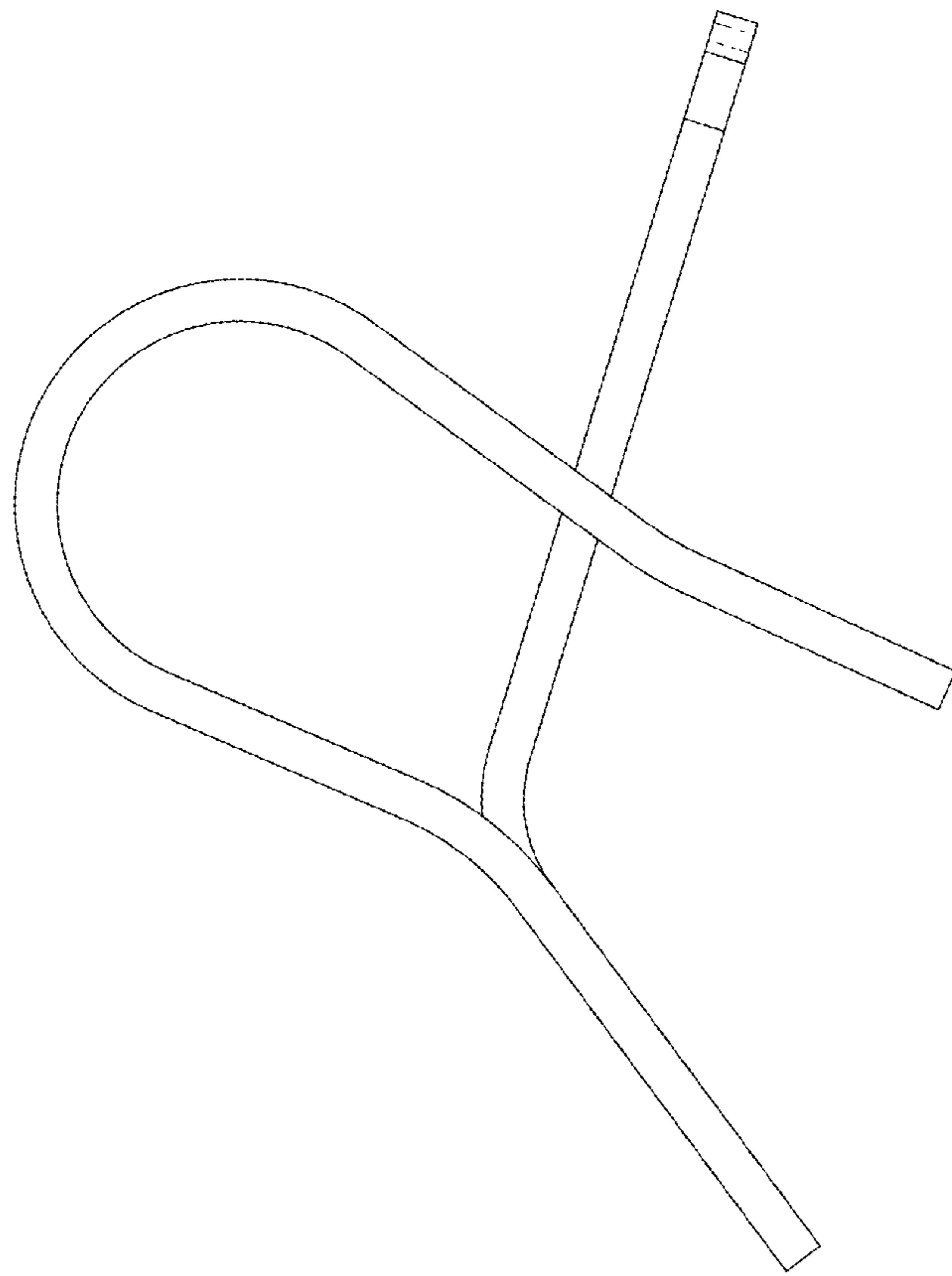


FIG.5

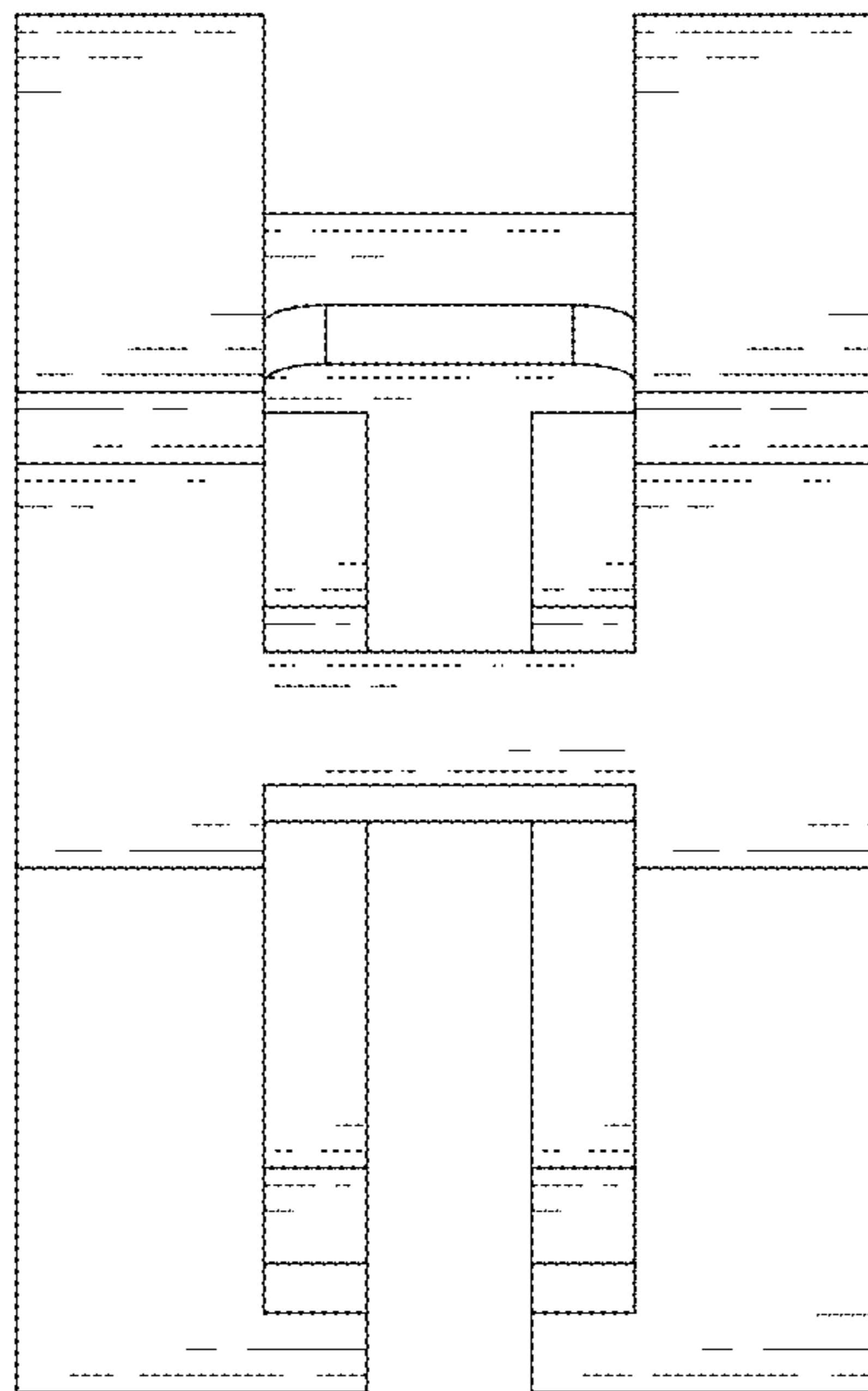


FIG.6

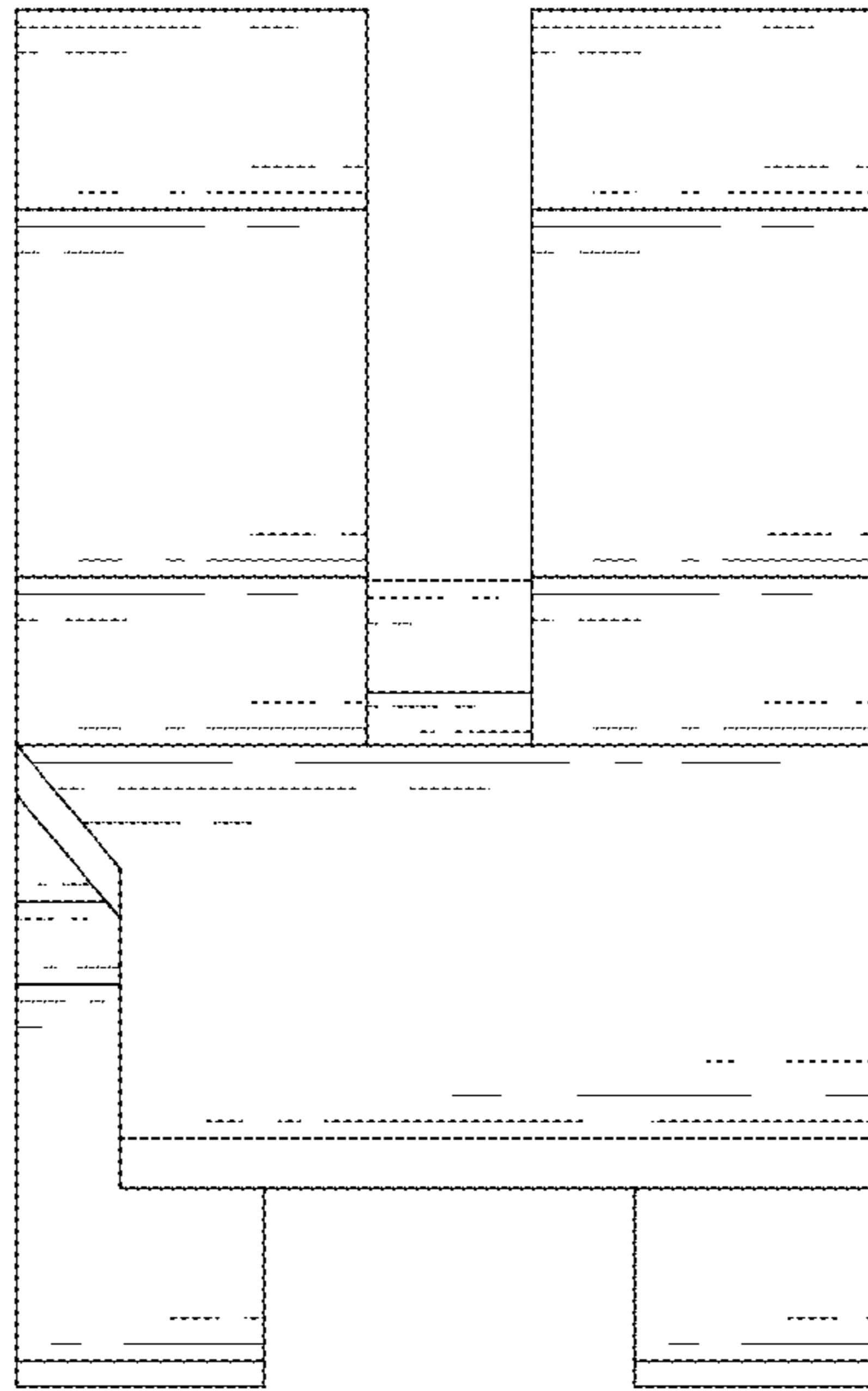


FIG.7

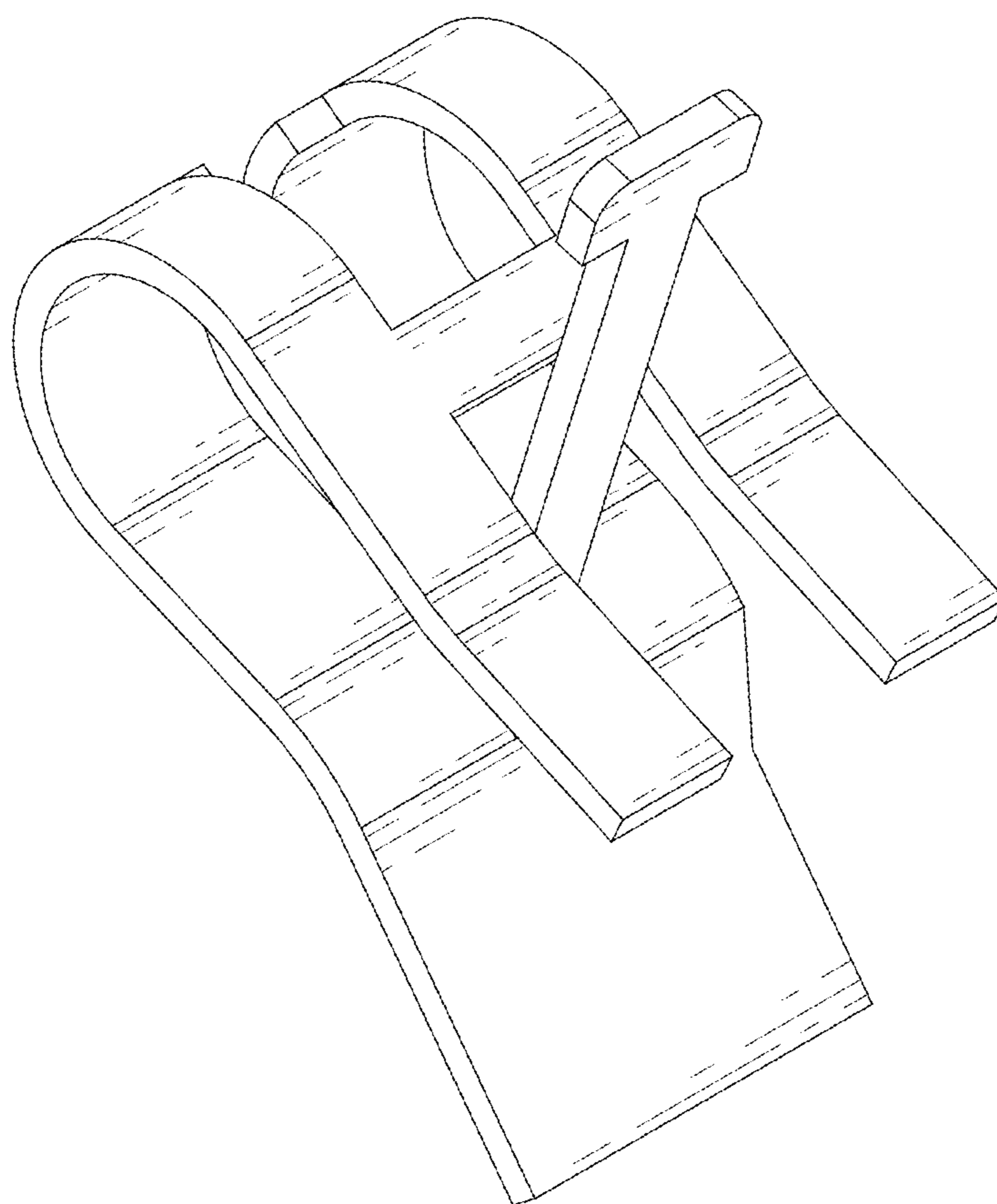


FIG.8