



US00D936457S

(12) **United States Design Patent**
Holguin

(10) **Patent No.:** **US D936,457 S**

(45) **Date of Patent:** **** Nov. 23, 2021**

(54) **PATIENT INTRAVENOUS TUBE HOLDER AND ORGANIZER**

(71) Applicant: **OTEN Medical**, El Paso, TX (US)

(72) Inventor: **Ernesto Holguin**, El Paso, TX (US)

(73) Assignee: **OTEN Medical**, El Paso, TX (US)

(**) Term: **15 Years**

(21) Appl. No.: **29/711,727**

(22) Filed: **Nov. 1, 2019**

(51) **LOC (13) Cl.** **08-08**

(52) **U.S. Cl.**
USPC **D8/349**

(58) **Field of Classification Search**
USPC D6/300, 301, 320, 323, 325, 326, 328,
D6/576, 577, 579, 580; D8/349, 354,
D8/355, 363, 373-377; D12/317, 400,
D12/415, 416; D13/154, 133, 129, 199,
D13/107-110

CPC .. F16C 2314/72; F16C 29/0623; F16C 29/06;
F16C 29/0609; F16C 29/005; F16C
29/008; F16C 29/04; F16C 29/0657;
F16C 29/004; F16C 29/12; A47B 1/10;
A47B 88/493; A47B 88/423; A47B
2088/4235

See application file for complete search history.

(56) **References Cited**

U.S. PATENT DOCUMENTS

7,055,914	B1 *	6/2006	Jenkins	F16F 15/324 301/5.21
D557,652	S *	12/2007	Gassew	B63B 59/02 D12/317
D626,826	S *	11/2010	Austro	D8/382
D681,424	S *	5/2013	Heindl	D8/382
D737,116	S *	8/2015	Lussier	D8/349
D762,105	S *	7/2016	Prevost	D8/349

D764,378	S *	8/2016	Conrad	D12/317
D784,115	S *	4/2017	Rago	D8/354
D815,939	S *	4/2018	Geiger	D8/382
D856,114	S *	8/2019	Poppell	D8/349
D864,838	S *	10/2019	Clover	D12/317
D885,381	S *	5/2020	Hwang	D14/345
D889,247	S *	7/2020	Baltz, Jr.	E04F 19/0481 D8/349
D892,602	S *	8/2020	White	D8/380
D893,475	S *	8/2020	Kim	D14/345
2004/0256909	A1 *	12/2004	Sery	F16F 15/324 301/5.21

(Continued)

Primary Examiner — Mark A Goodwin

Assistant Examiner — Benjamin M Weeks

(74) *Attorney, Agent, or Firm* — Patterson Thuent
Pedersen, P.A.

(57) **CLAIM**

I claim the ornamental design for patient intravenous tube holder and organizer, as shown and described herein.

DESCRIPTION

FIG. 1 is a top perspective view of the patient intravenous tube holder and organizer according to a first embodiment of the invention.

FIG. 2 is a side elevation view of the patient intravenous tube holder and organizer.

FIG. 3 is another side elevation view of the patient intravenous tube holder and organizer, from the side opposite that in FIG. 2.

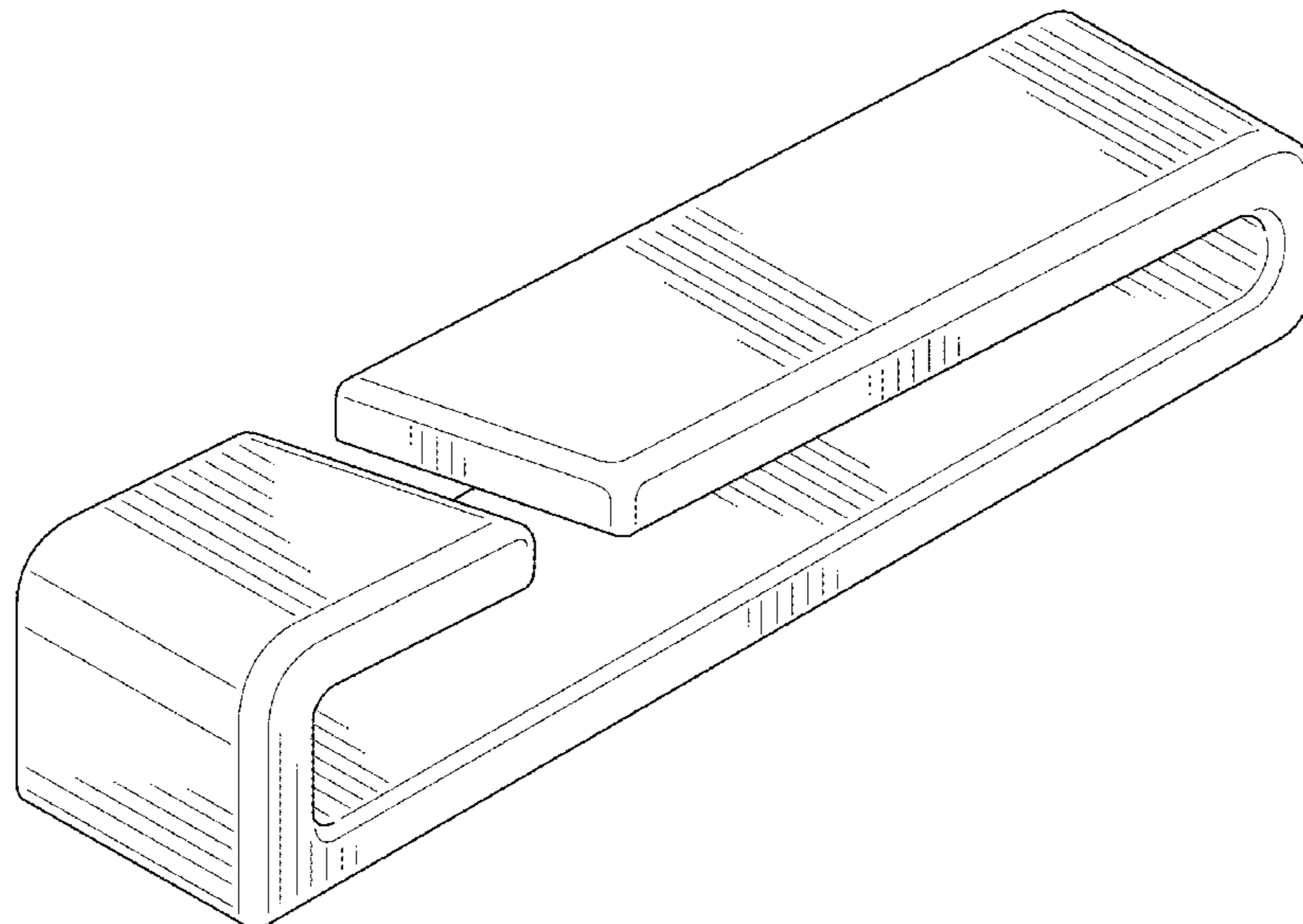
FIG. 4 is a top plan view of the patient intravenous tube holder and organizer.

FIG. 5 is a bottom plan view of the patient intravenous tube holder and organizer.

FIG. 6 is a front elevation view of the patient intravenous tube holder and organizer; and,

FIG. 7 is a rear elevation view of the patient intravenous tube holder and organizer.

1 Claim, 3 Drawing Sheets



(56)

References Cited

U.S. PATENT DOCUMENTS

2009/0230757 A1* 9/2009 Chancharoen F16F 15/324
301/5.21
2011/0266862 A1* 11/2011 Halle F16F 15/345
301/5.21

* cited by examiner

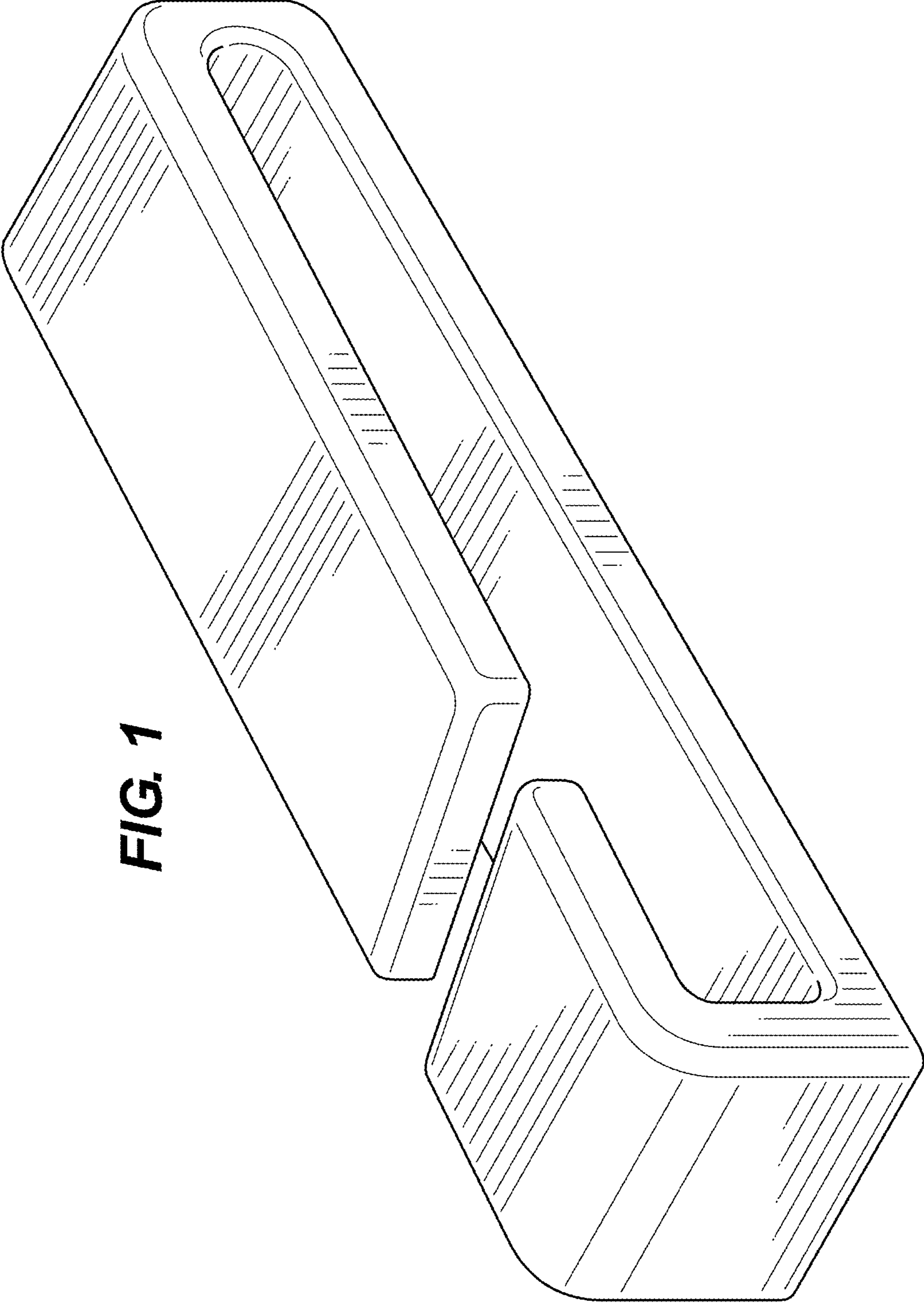


FIG. 1

FIG. 2

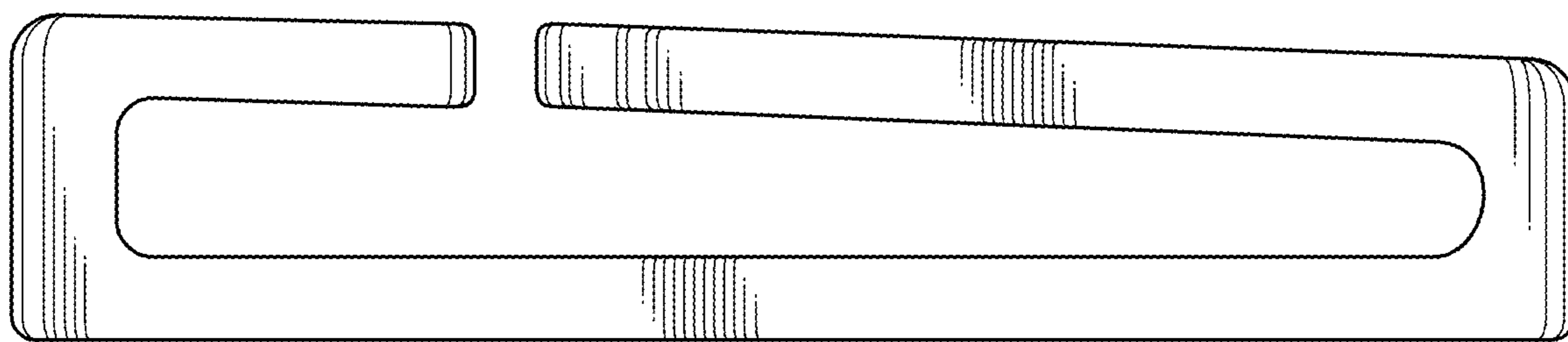


FIG. 3

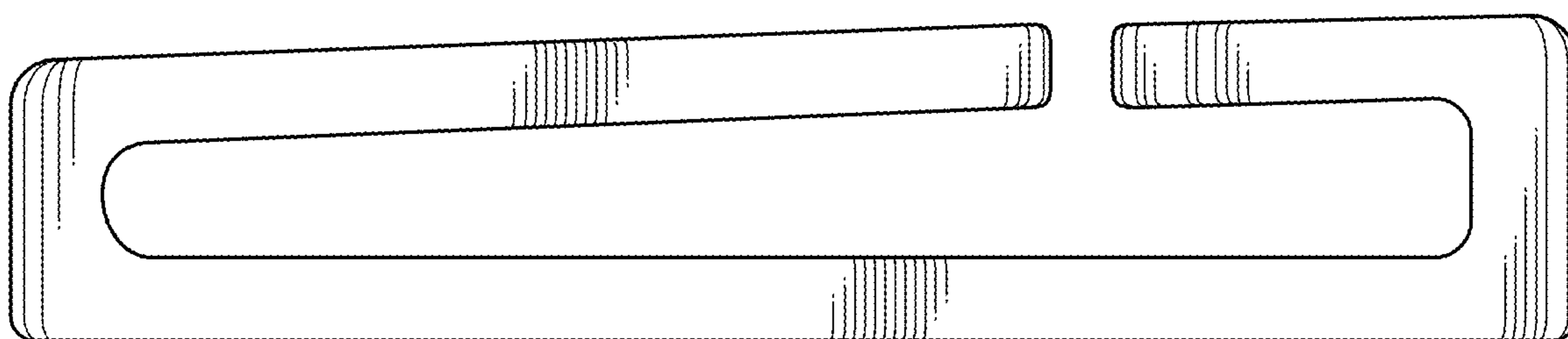


FIG. 4

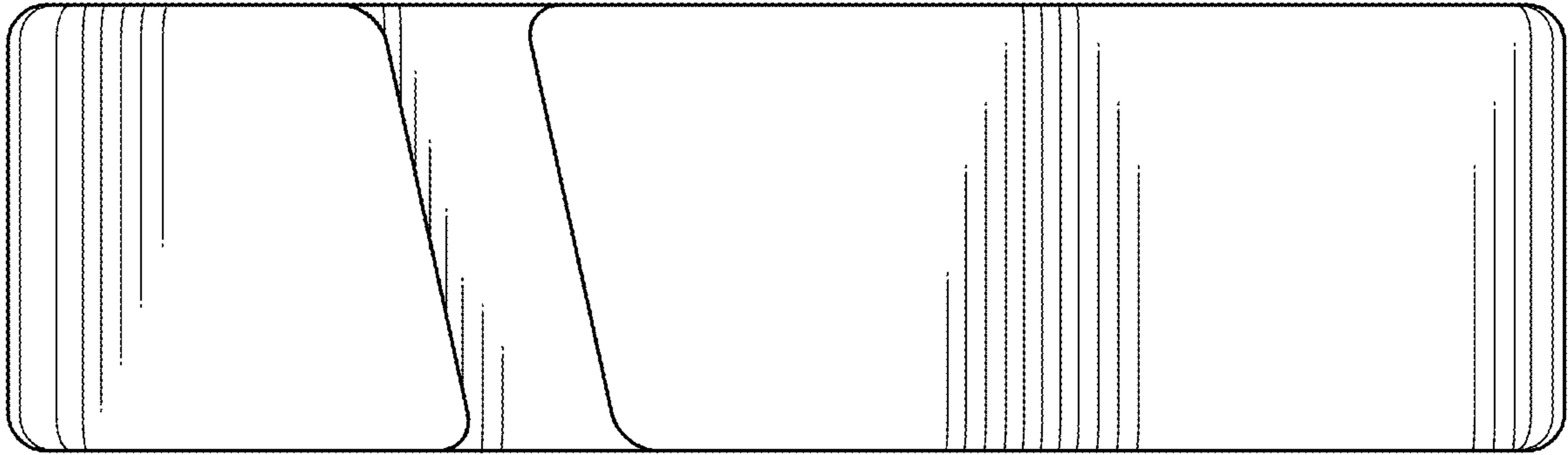


FIG. 5

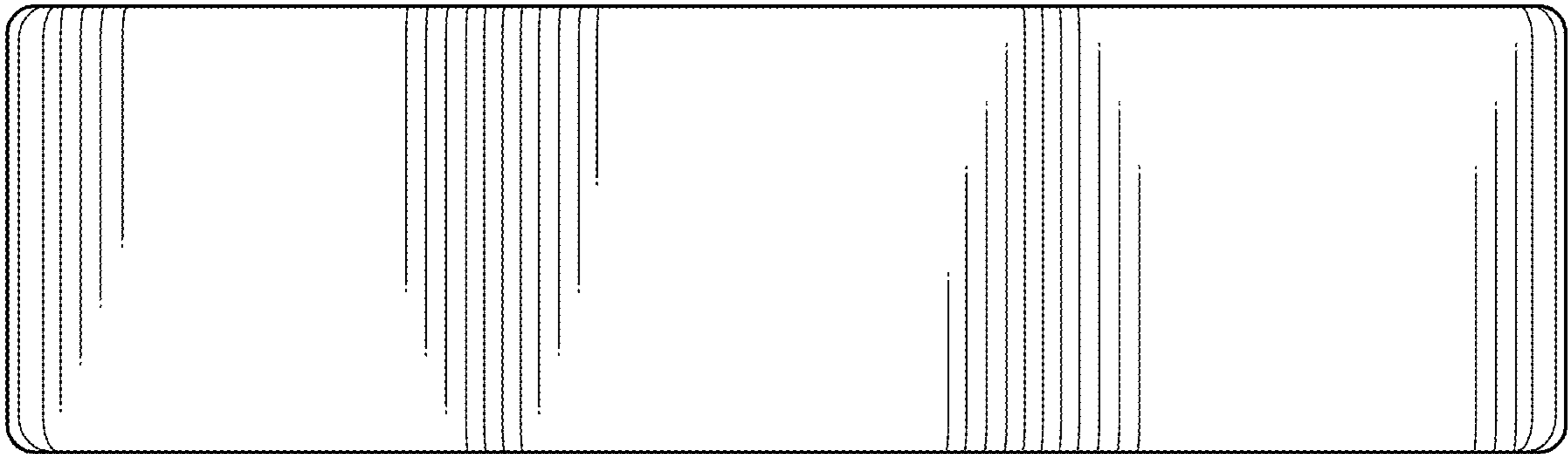


FIG. 6

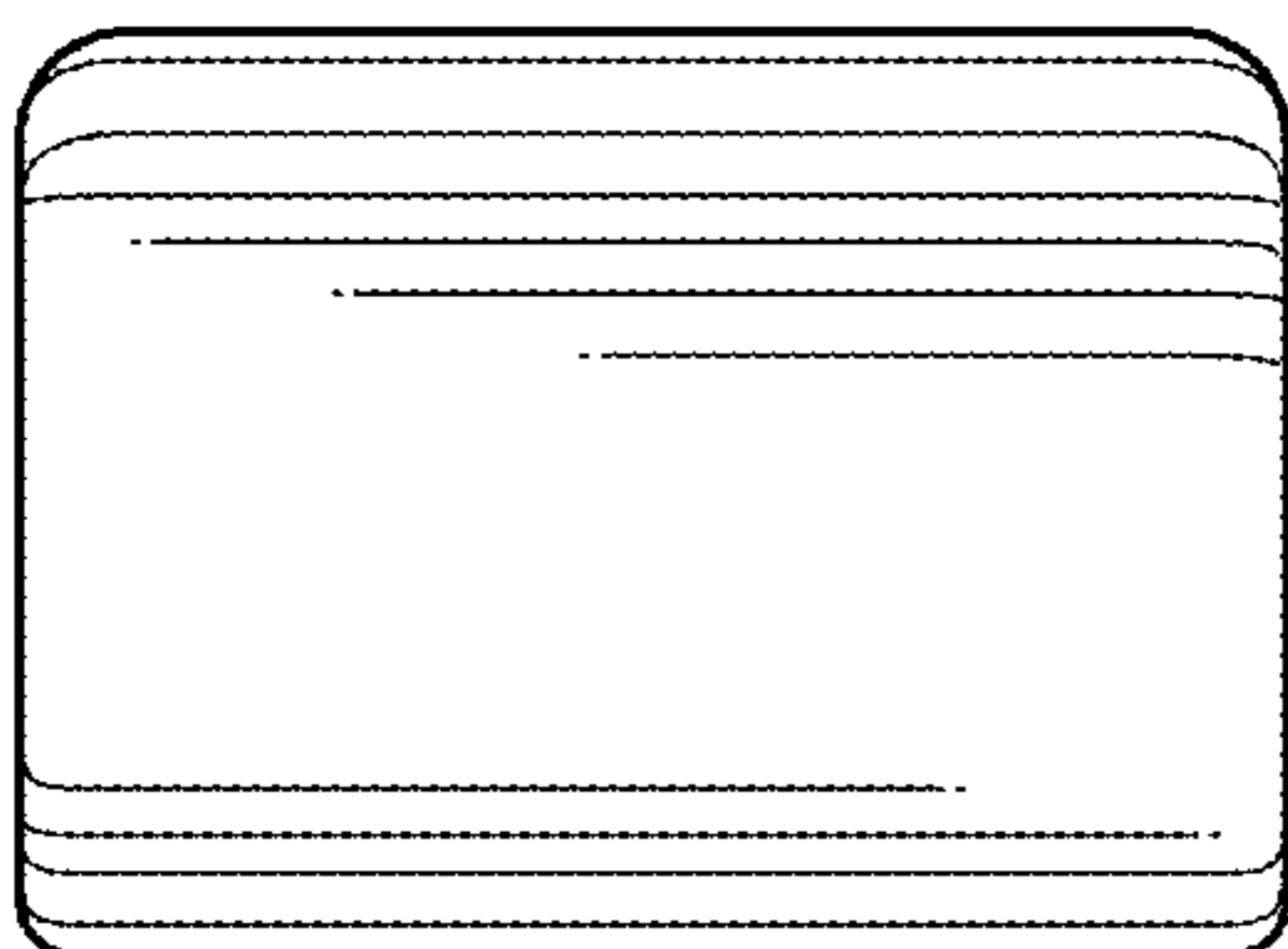


FIG. 7

