



US00D936456S

(12) **United States Design Patent** (10) **Patent No.:** **US D936,456 S**
Ruffkess et al. (45) **Date of Patent:** **** Nov. 23, 2021**

(54) **ELECTRONIC LOCK HOUSING**

FOREIGN PATENT DOCUMENTS

(71) Applicant: **BoxLock, Inc.**, Atlanta, GA (US)

DE 10213222422 A1 5/2015
WO 2017210797 A1 12/2017

(72) Inventors: **Brad A. Ruffkess**, Atlanta, GA (US);
Hugo Giralt Echevarria, Oakland, CA (US);
Siddharth Vanchinathan, Oakland, CA (US);
Alejandro Castillejo Muñoz, San Francisco, CA (US);
Taylor Davis, Atlanta, GA (US);
Brian VanHiel, Atlanta, GA (US)

OTHER PUBLICATIONS

Non-final Office Action issued in pending U.S. Appl. No. 15/586,512 dated Mar. 16, 2021.

(Continued)

(73) Assignee: **BoxLock, Inc.**, Atlanta, GA (US)

Primary Examiner — Doris Clark

(**) Term: **15 Years**

(74) *Attorney, Agent, or Firm* — Morris, Manning & Martin, LLP; Daniel E. Sineway, Esq.

(21) Appl. No.: **29/651,950**

(57) **CLAIM**

The ornamental design for the electronic lock housing, as shown and described.

(22) Filed: **Sep. 23, 2020**

DESCRIPTION

Related U.S. Application Data

(62) Division of application No. 29/664,552, filed on Sep. 26, 2018, now Pat. No. Des. 905,533.

(51) **LOC (13) Cl.** **08-07**

(52) **U.S. Cl.**
USPC **D8/334**

(58) **Field of Classification Search**
USPC D8/334
CPC E05B 67/02; E05B 67/00; E05B 67/06;
E05B 9/00; E05B 2009/004
See application file for complete search history.

FIG. 1 is a perspective view of an electronic lock housing, according to one embodiment of the present disclosure; FIG. 2 is a front view of an electronic lock housing, according to one embodiment of the present disclosure; FIG. 3 is a rear view of an electronic lock housing, according to one embodiment of the present disclosure; FIG. 4 is a side view of an electronic lock housing, according to one embodiment of the present disclosure; FIG. 5 is a side view of an electronic lock housing, according to one embodiment of the present disclosure; FIG. 6 is a top view of an electronic lock housing, according to one embodiment of the present disclosure; FIG. 7 is a bottom view of an electronic lock housing, according to one embodiment of the present disclosure; FIG. 8 is a perspective, bottom view of an electronic lock housing, according to one embodiment of the present disclosure; and, FIG. 9 is a perspective, rear view of an electronic lock housing, according to one embodiment of the present disclosure.

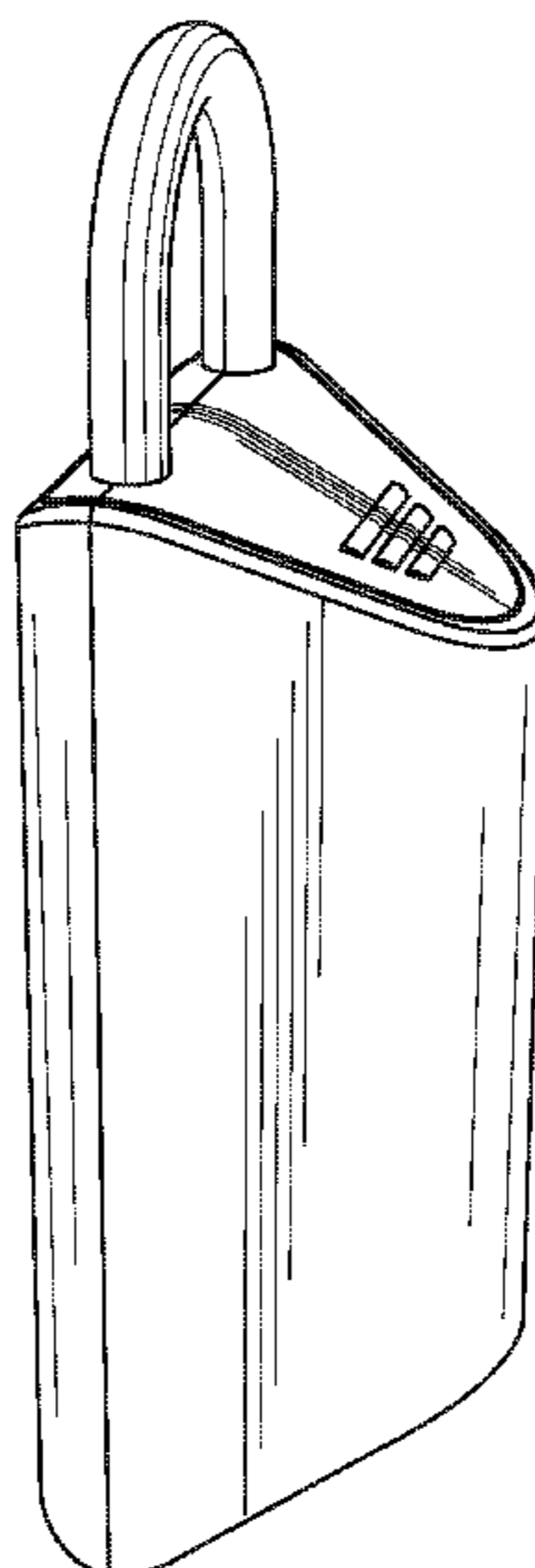
(56) **References Cited**

U.S. PATENT DOCUMENTS

5,189,893 A 3/1993 Kortenbrede
5,624,071 A 4/1997 Sosan
6,047,573 A 4/2000 Martinez
6,047,575 A 4/2000 Larson
6,384,711 B1 5/2002 Cregger

(Continued)

1 Claim, 9 Drawing Sheets



(56)

References Cited

U.S. PATENT DOCUMENTS

6,442,983	B1	9/2002	Thomas	
6,584,815	B2	7/2003	Bremicker	
6,761,051	B1	7/2004	Tsai	
D592,485	S *	5/2009	Stevens	D8/334
7,552,607	B2	6/2009	Yang	
7,562,545	B2	7/2009	Lai	
7,934,405	B2	5/2011	Burmesch	
8,225,629	B2	7/2012	Zuraski	
8,453,481	B2	6/2013	Meekma	
8,806,907	B2	8/2014	Kalous	
8,850,858	B2	10/2014	Nave	
D722,861	S *	2/2015	Chen	D8/334
D732,371	S *	6/2015	Schneider	D8/334
9,428,941	B1 *	8/2016	Yang	E05B 67/02
9,464,462	B1 *	10/2016	Liu	E05B 67/24
9,540,845	B1 *	1/2017	Yang	E05B 19/0005
9,631,398	B1 *	4/2017	Liu	E05B 17/185
9,646,165	B1	5/2017	Saylor	
9,670,694	B2 *	6/2017	Larson	E05B 19/0005
9,689,179	B2 *	6/2017	Fan	E05B 67/22 D8/334
2002/0103653	A1	8/2002	Huxter	
2006/0283216	A1	12/2006	Marcelle	
2007/0126551	A1	6/2007	Slevin	

2010/0283575	A1	11/2010	Tubb et al.
2013/0036781	A1	2/2013	Hartmann
2013/0086956	A1	4/2013	Nave
2014/0100687	A1	4/2014	Ekstrom
2015/0066797	A1	3/2015	Outwater
2015/0120529	A1	4/2015	Faaborg
2015/0225986	A1	8/2015	Goldman
2015/0292244	A1	10/2015	Beatty
2015/0310381	A1	10/2015	Lyman et al.
2016/0217637	A1	7/2016	Gengler
2016/0331171	A1	11/2016	Jiang
2017/0009491	A1	1/2017	Nguyen et al.
2018/0060812	A1	3/2018	Robinson

OTHER PUBLICATIONS

Final Office Action issued in pending U.S. Appl. No. 15/586,512, dated Sep. 2, 2020.
 Non-final Office Action issued in pending U.S. Appl. No. 15/586,512 dated Mar. 5, 2020.
 Non-final Office Action issued in pending U.S. Appl. No. 16/220,527, dated Oct. 1, 2020.
 International Search Report and Written Opinion issued in International Application No. PCT/US2019/019374 dated May 1, 2019.

* cited by examiner

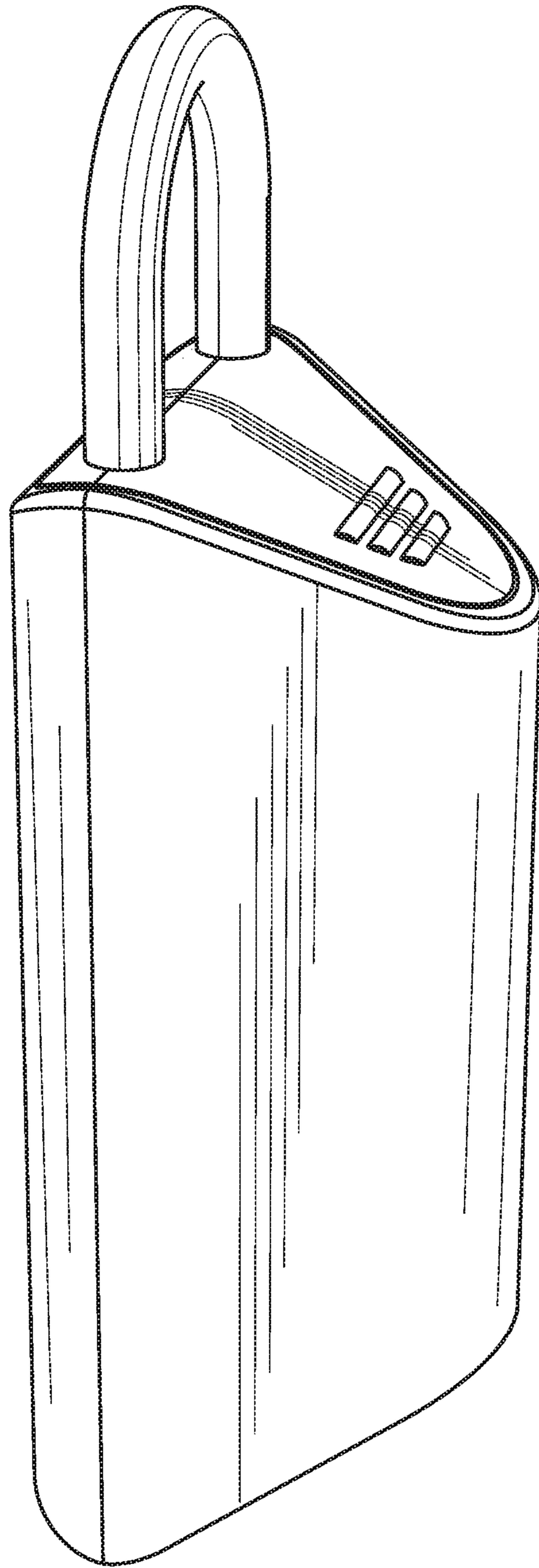


Fig. 1

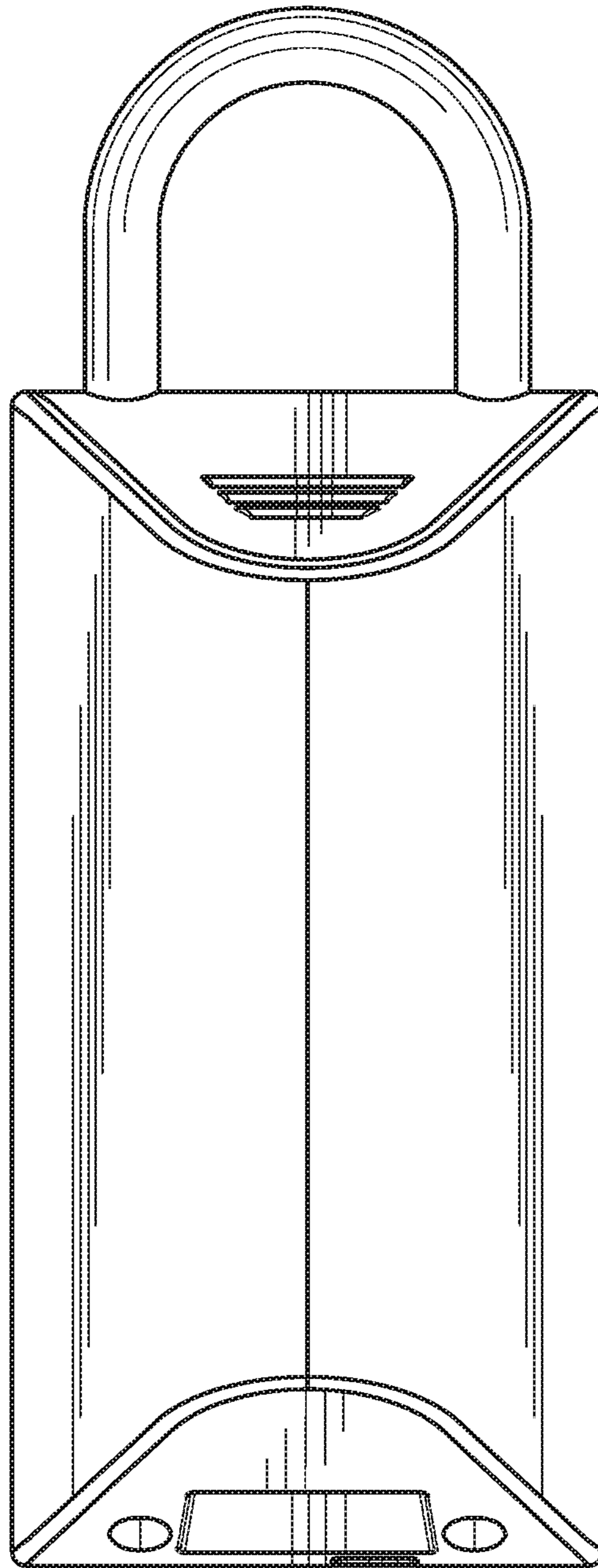


Fig. 2

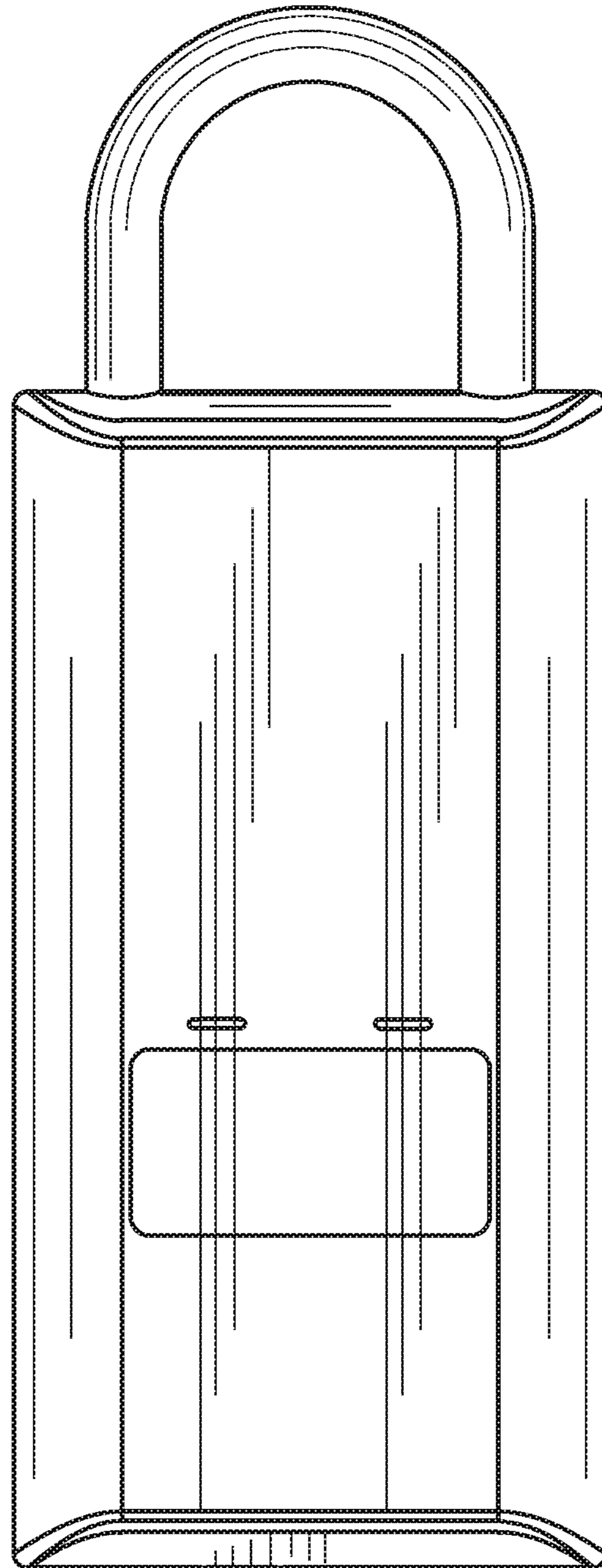


Fig. 3



Fig. 4

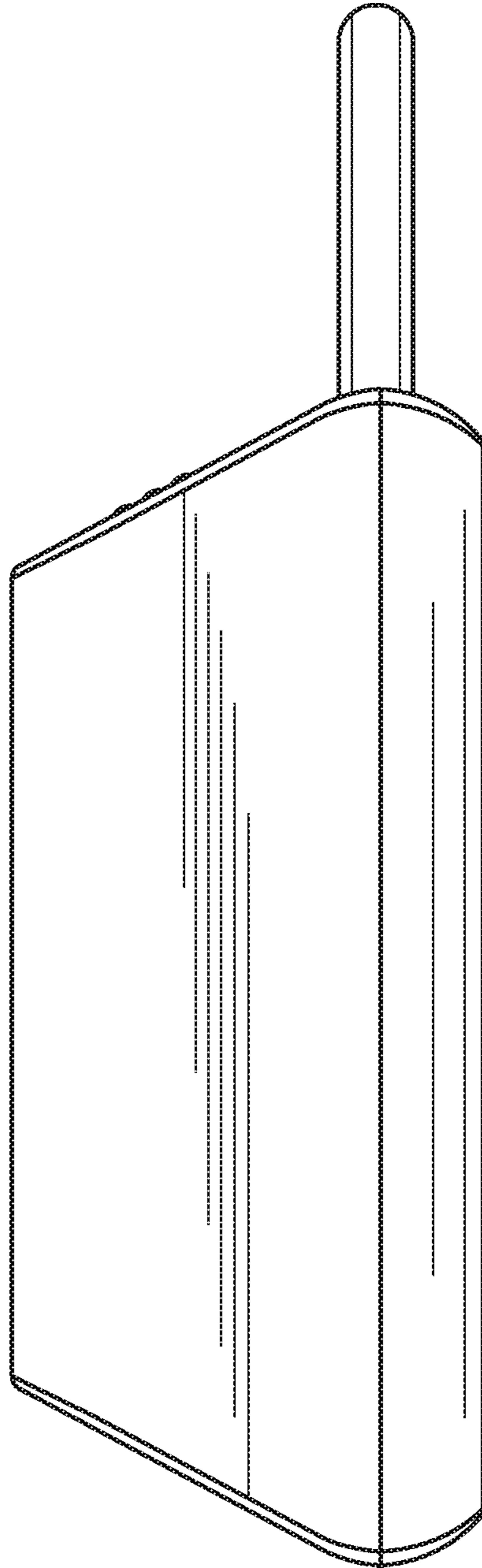


Fig. 5

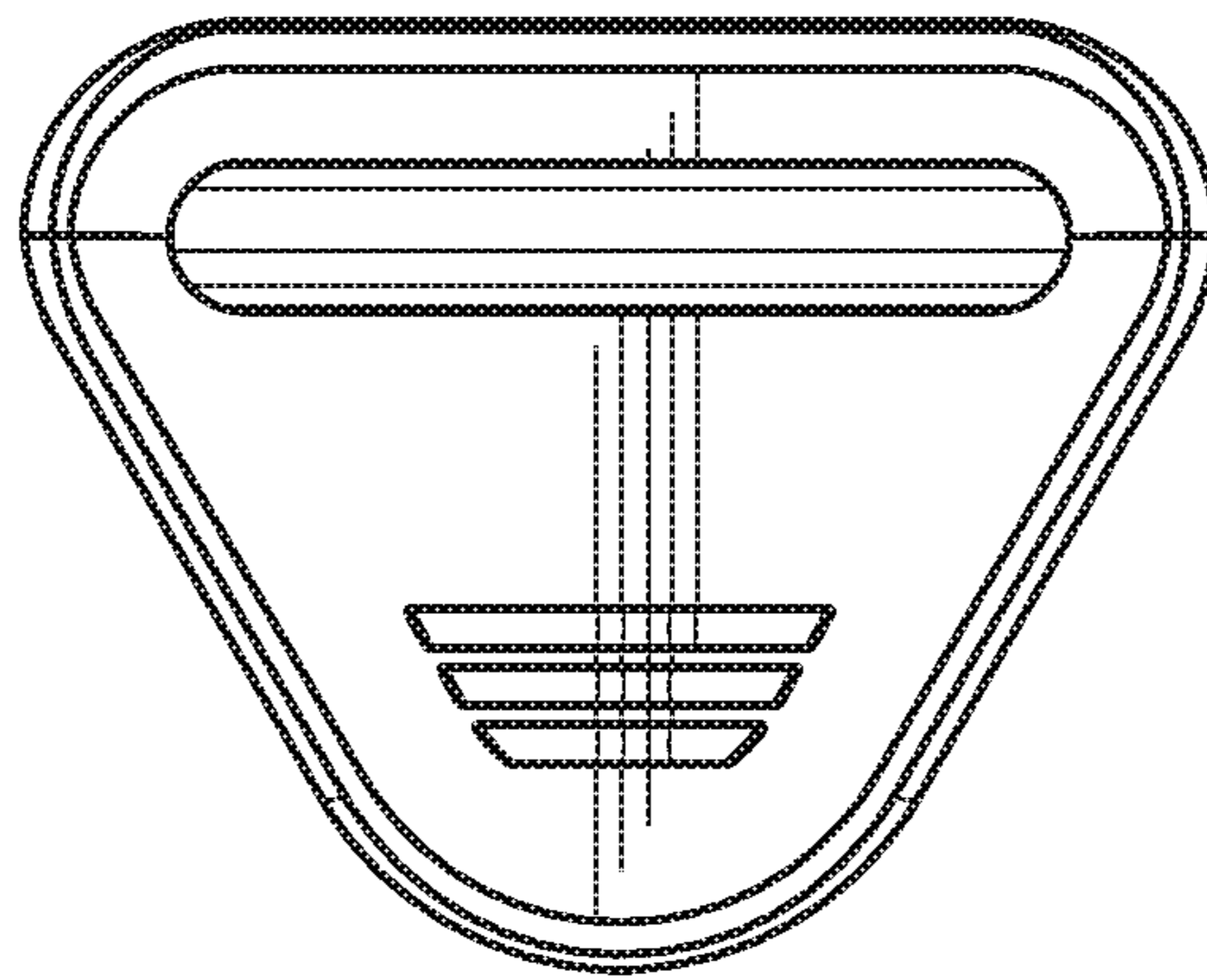


Fig. 6

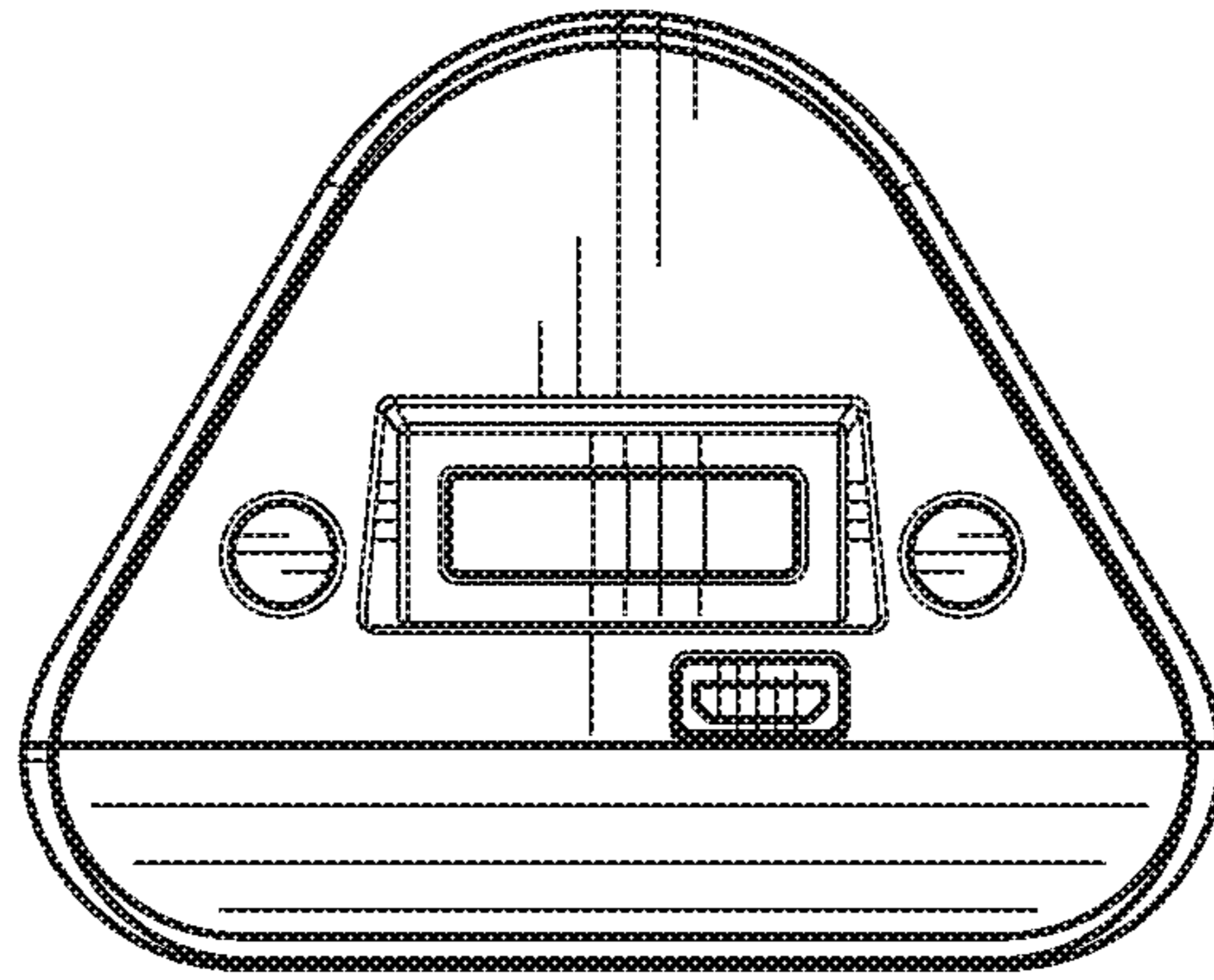


Fig. 7

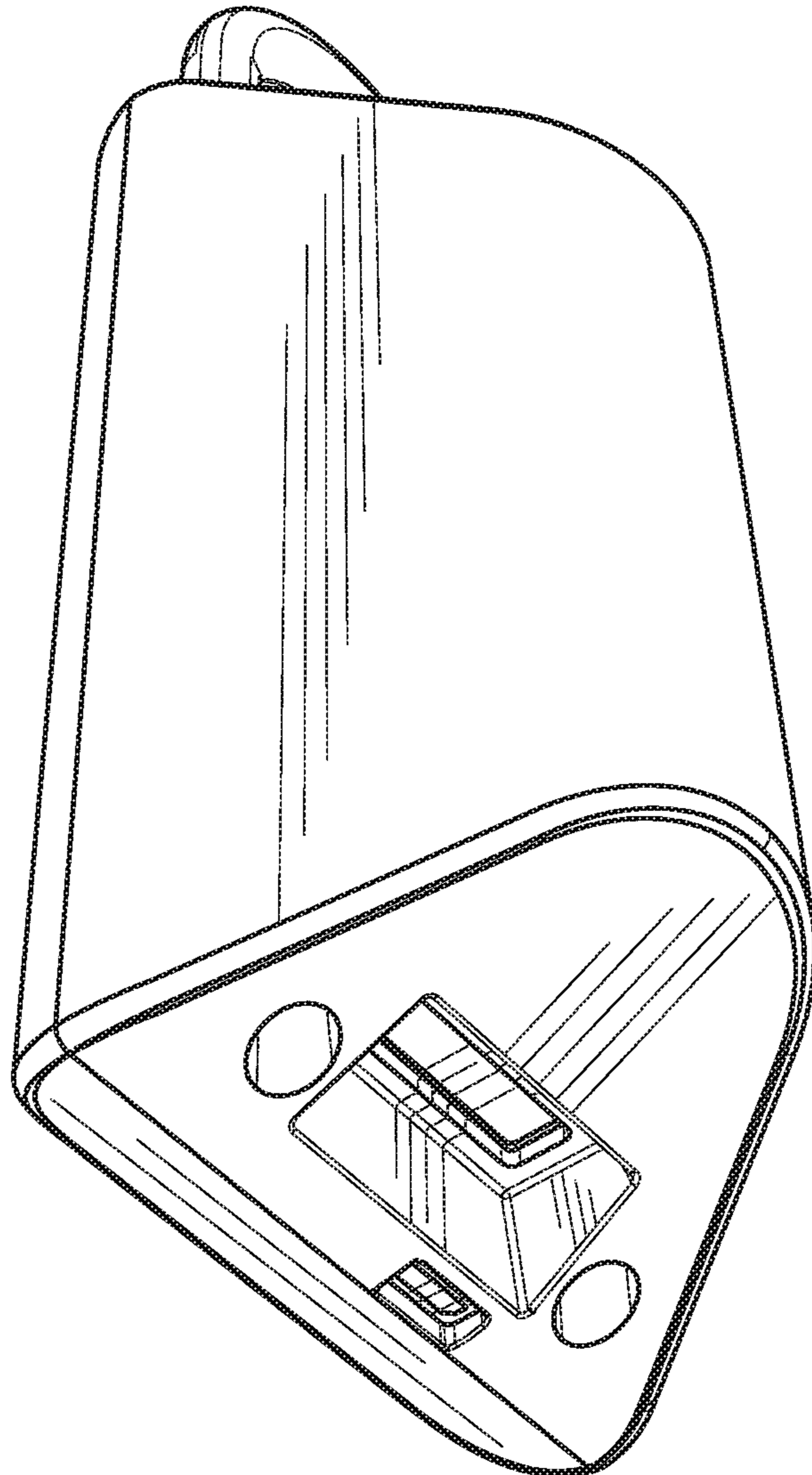


Fig. 8

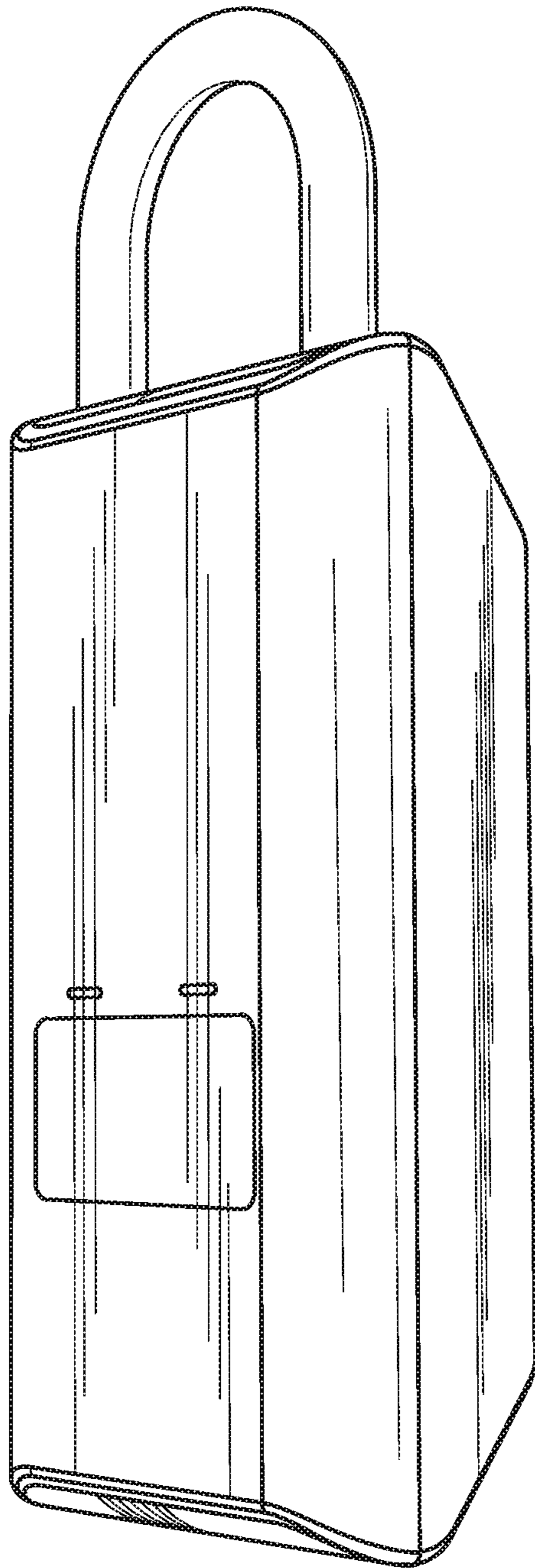


Fig. 9