



US00D936455S

(12) **United States Design Patent** (10) **Patent No.:** **US D936,455 S**
Douglass et al. (45) **Date of Patent:** **** Nov. 23, 2021**

(54) **PUSH BUTTON DOOR LATCH**

FOREIGN PATENT DOCUMENTS

(71) Applicants: **Earl S. Douglass**, Auburn, CA (US);
Andrew P. Matthews, Auburn, CA (US)

CN 302778362 * 4/2014
CN 304557744 * 11/2017

(Continued)

(72) Inventors: **Earl S. Douglass**, Auburn, CA (US);
Andrew P. Matthews, Auburn, CA (US)

OTHER PUBLICATIONS

Homotek, Drive in Ball Catch with Strike Plate for Closet Doors, Date first available May 8, 2020, [online]retrieved Jul. 20, 2021, available from https://www.amazon.com/dp/B088BJXTB/ref=sspa_dk_detail_5?psc=1&pd_rd_i=B088BJXTB&pd_rd_w=SMKVL&pf_rd_p=5d846283-ed3e-4512-a744-a30f97c5d738&pd_rd_wg=Vt7qA&pf_rd (Year: 2020).*

(Continued)

(**) Term: **15 Years**

(21) Appl. No.: **29/788,181**

(22) Filed: **Apr. 5, 2021**

(51) **LOC (13) Cl.** **08-07**

(52) **U.S. Cl.**
USPC **D8/331**; D8/302

(58) **Field of Classification Search**
USPC D8/330, 331, 337, 338, 339, 342, 341, D8/340, 300-303
CPC .. E05C 1/163; E05C 1/16; F16B 31/00; F16B 31/021; F16B 41/005; E05B 17/2038; E05B 2015/0448; E05B 29/00; E05B 37/00; E05B 59/00; E05B 65/0894; Y10T 70/5858; Y10T 70/5093; Y10T 70/5173; Y10T 292/0977; Y10T 70/5372; Y10T 292/0982; Y10T 70/55; Y10T 292/0989

See application file for complete search history.

Primary Examiner — Keli L Hill

Assistant Examiner — Sara S Sahneh

(74) *Attorney, Agent, or Firm* — Dunlap Bennett & Ludwig, PLLC; Brendan E. Squire

(57) **CLAIM**

The ornamental design for a push button door latch, as shown and described.

DESCRIPTION

FIG. 1 is a front perspective view of the push button door latch showing our new design; FIG. 2 is the front elevation view thereof; FIG. 3 is the rear elevation view thereof; FIG. 4 is the left side elevation view thereof; FIG. 5 is the right side elevation view thereof; FIG. 6 is a top plan view thereof; FIG. 7 is a bottom plan view thereof; and, FIG. 8 is an exploded perspective view thereof. The broken lines shown in the drawings illustrate portions of the push button door latch that form no part of the claimed design.

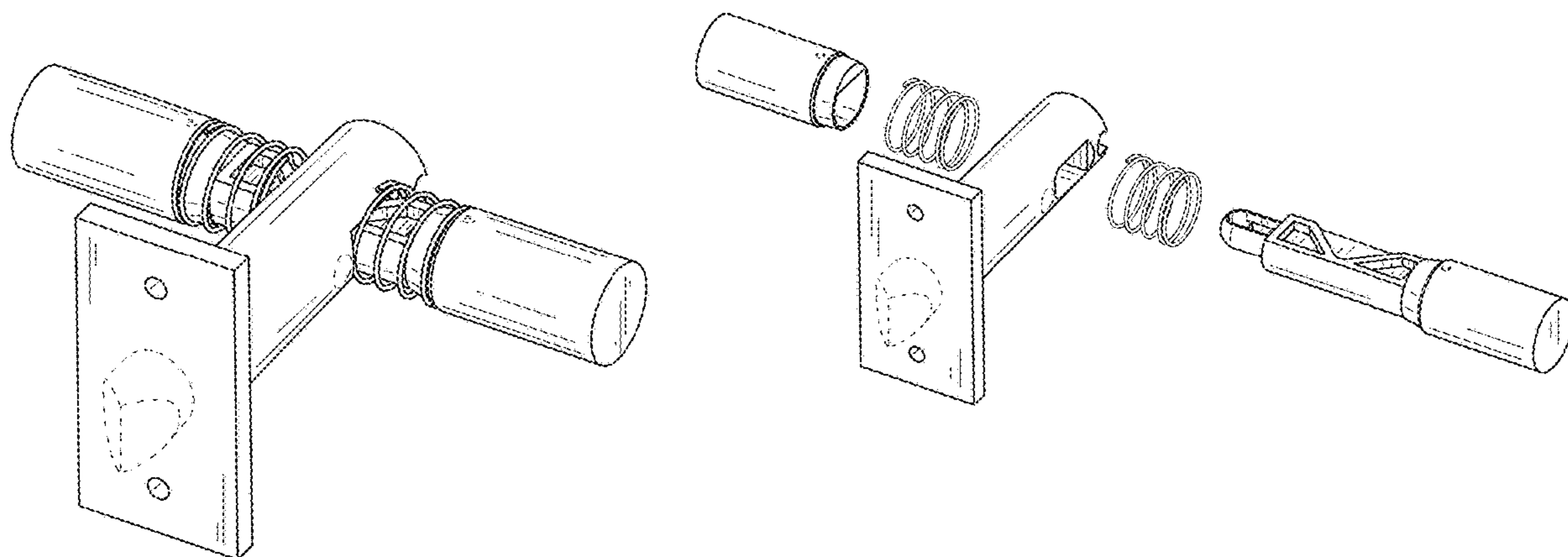
(56) **References Cited**

U.S. PATENT DOCUMENTS

210,764 A 12/1878 Dorsey
2,098,249 A * 11/1937 Kistner E05B 35/00
70/141
2,983,540 A * 5/1961 Check E05B 9/002
292/337
3,877,263 A * 4/1975 Strickler, III E05B 47/00
70/149
D318,217 S * 7/1991 Weinerman D8/331
D324,635 S * 3/1992 Weinerman D8/331
5,390,571 A * 2/1995 Fox, III B25B 23/0021
403/325

(Continued)

1 Claim, 4 Drawing Sheets



(56)

References Cited

U.S. PATENT DOCUMENTS

D576,018 S * 9/2008 Novell D8/331
 D781,680 S * 3/2017 Lylyk D8/331
 D857,143 S * 8/2019 Mateko D22/108
 10,844,628 B2 * 11/2020 Qiu E05B 15/0033
 2015/0266401 A1 * 9/2015 Grable B60N 2/856
 297/408
 2018/0363329 A1 * 12/2018 Qiu E05B 15/02
 2021/0131472 A1 * 5/2021 Schlegel F16B 21/165

FOREIGN PATENT DOCUMENTS

GB 6031936 * 3/2018
 IN 291286-0001 * 2/2017
 JP D1100286 * 12/2000
 KR 300737132.0000 * 11/2012
 KR 300833812.0000 * 1/2015

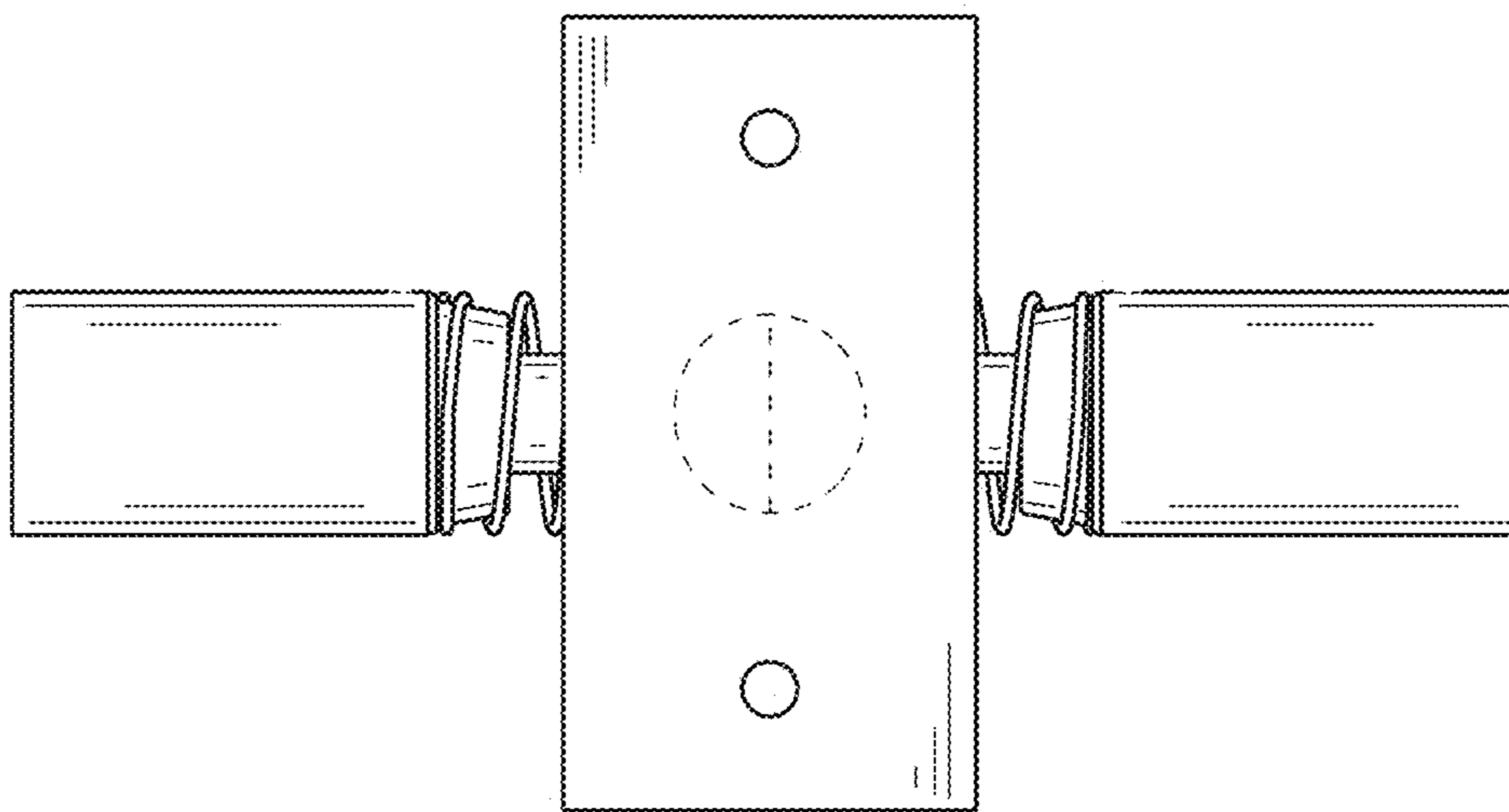
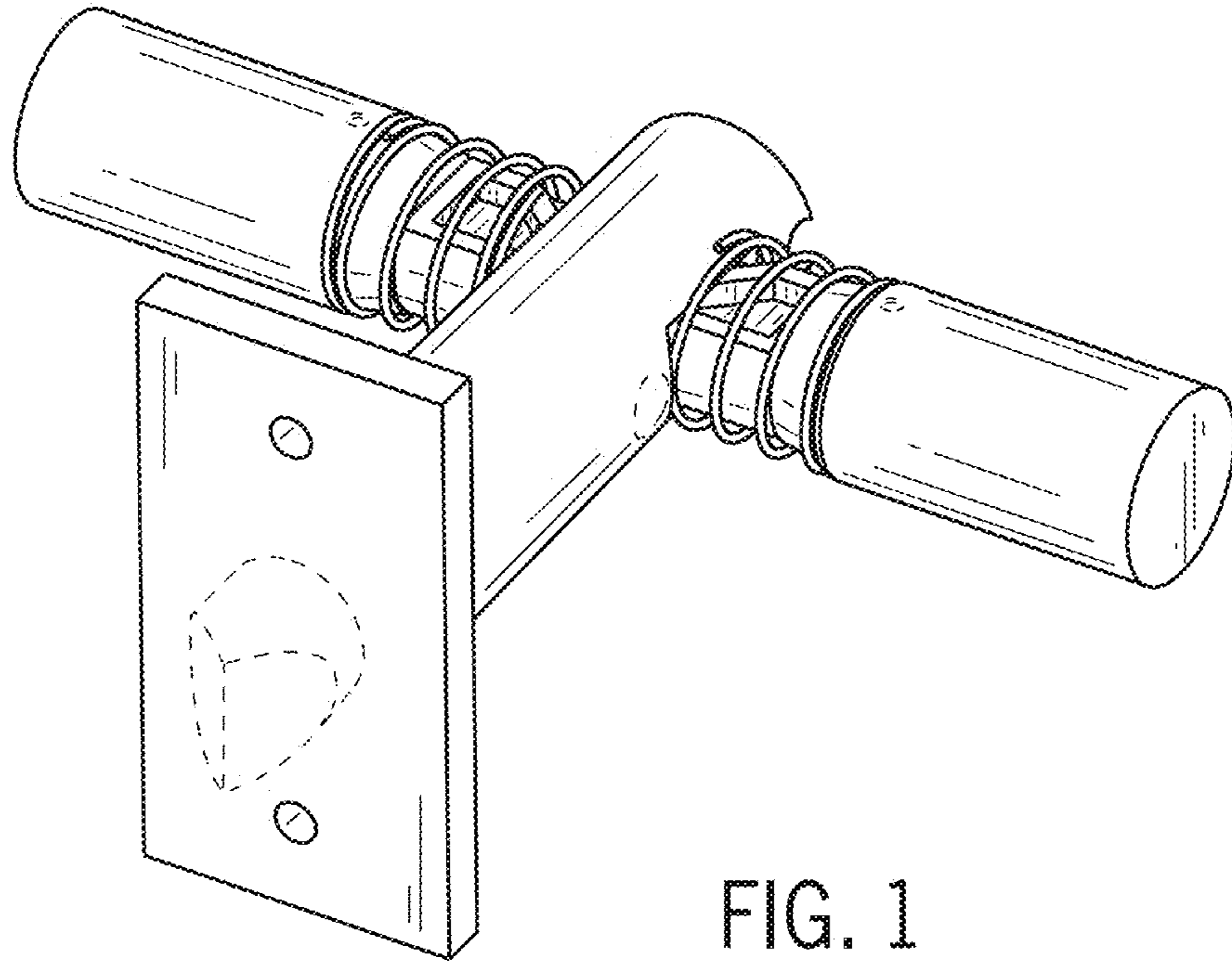
OTHER PUBLICATIONS

LENKRAD Store, RV Push Button Cabinet Latch, Date first available Apr. 30, 2020, [online]retrieved Jul. 20, 2021 ,available from https://www.amazon.com/Push-Button-Cabinet-Latch-Furniture/dp/B087WH5PVC/ref=sr_1_27?dchild=1&keywords=PUSH+PULL+BUTTON+DOOR+LOCK&qid=1626813612&s=hi&sr=1-27 (Year: 2020).*

Jadeshay, Pushbutton latch,Date first available May 7, 2020, [online]retrieved Jul. 20, 2021,available from https://www.amazon.com/Pushbutton-latch-Latches-Replacement-Compatible/dp/B085M9GGPW/ref=sr_1_80?dchild=1&keywords=PUSH+BUTTON+DOOR+LATCH&qid=1626815569&s=hi&sr=1-80 (Year: 2020).*

Teak Isle Store, Pull to Open Chrome Push Button Latch, Date first available Oct. 1, 2001, [online]retrieved Jul. 20, 2021,available from <https://www.amazon.com/Pull-Open-Chrome-Button-Latch/dp/B00144ARIQ> (Year: 2001).*

* cited by examiner



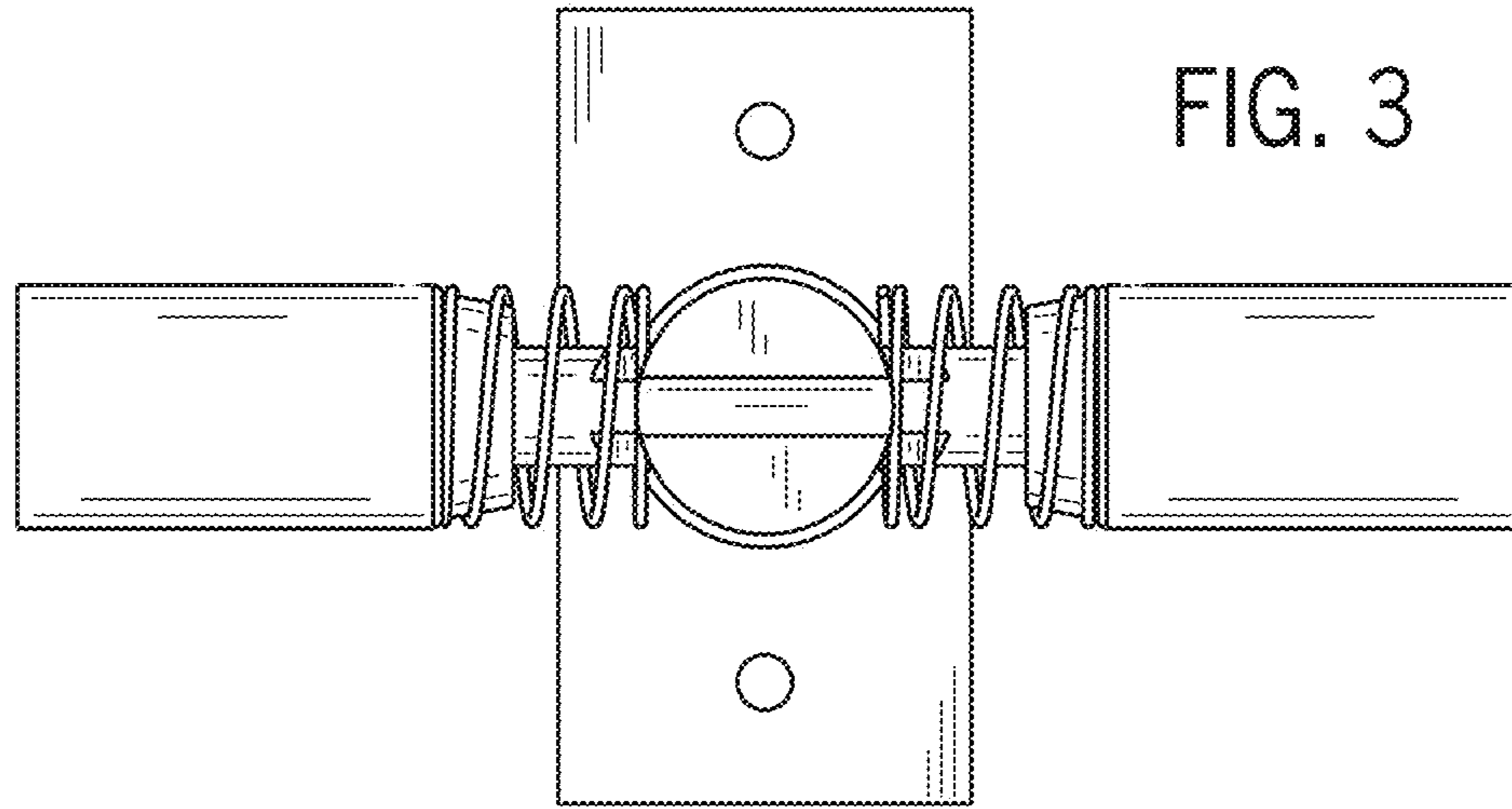


FIG. 3

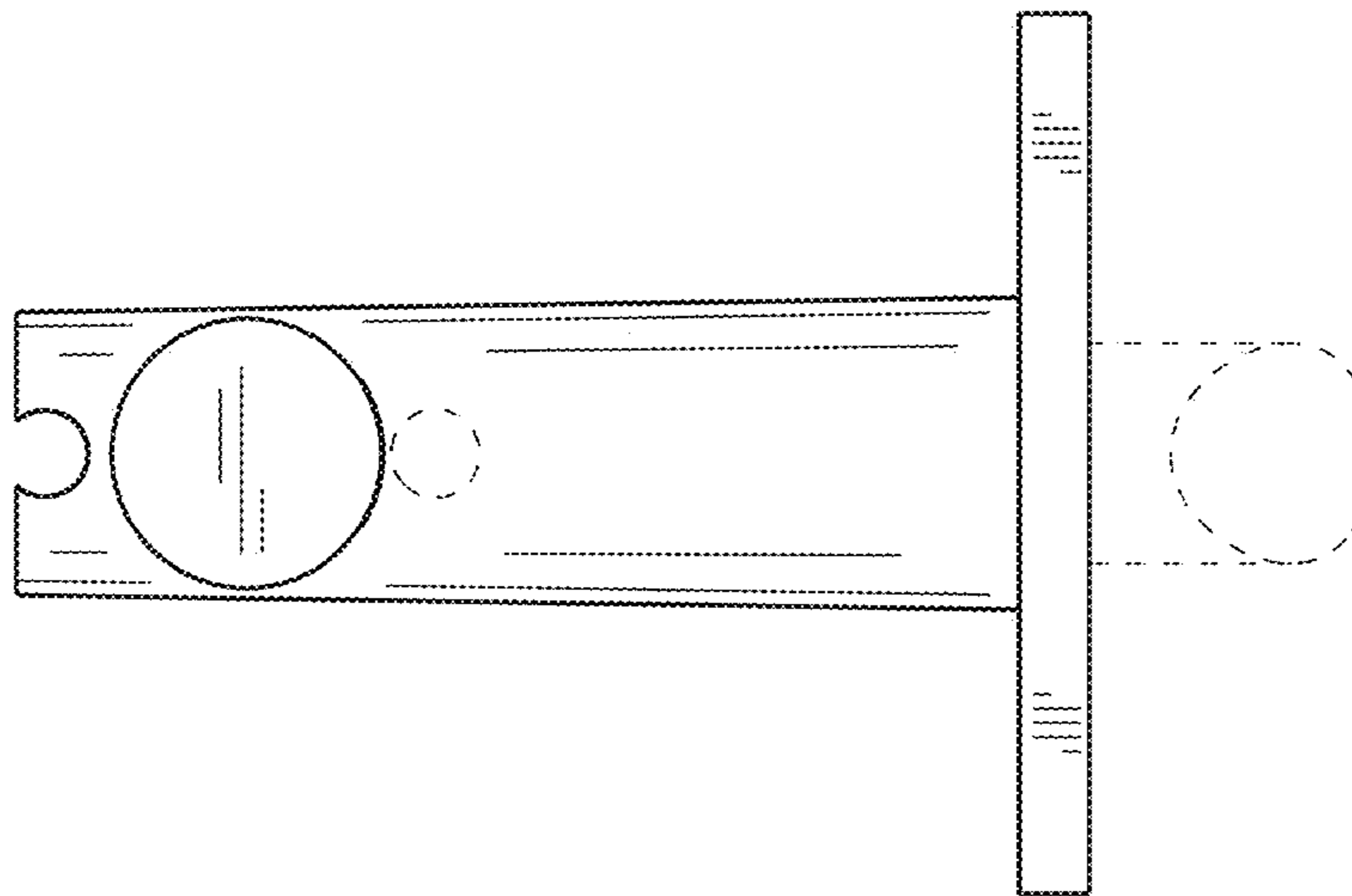
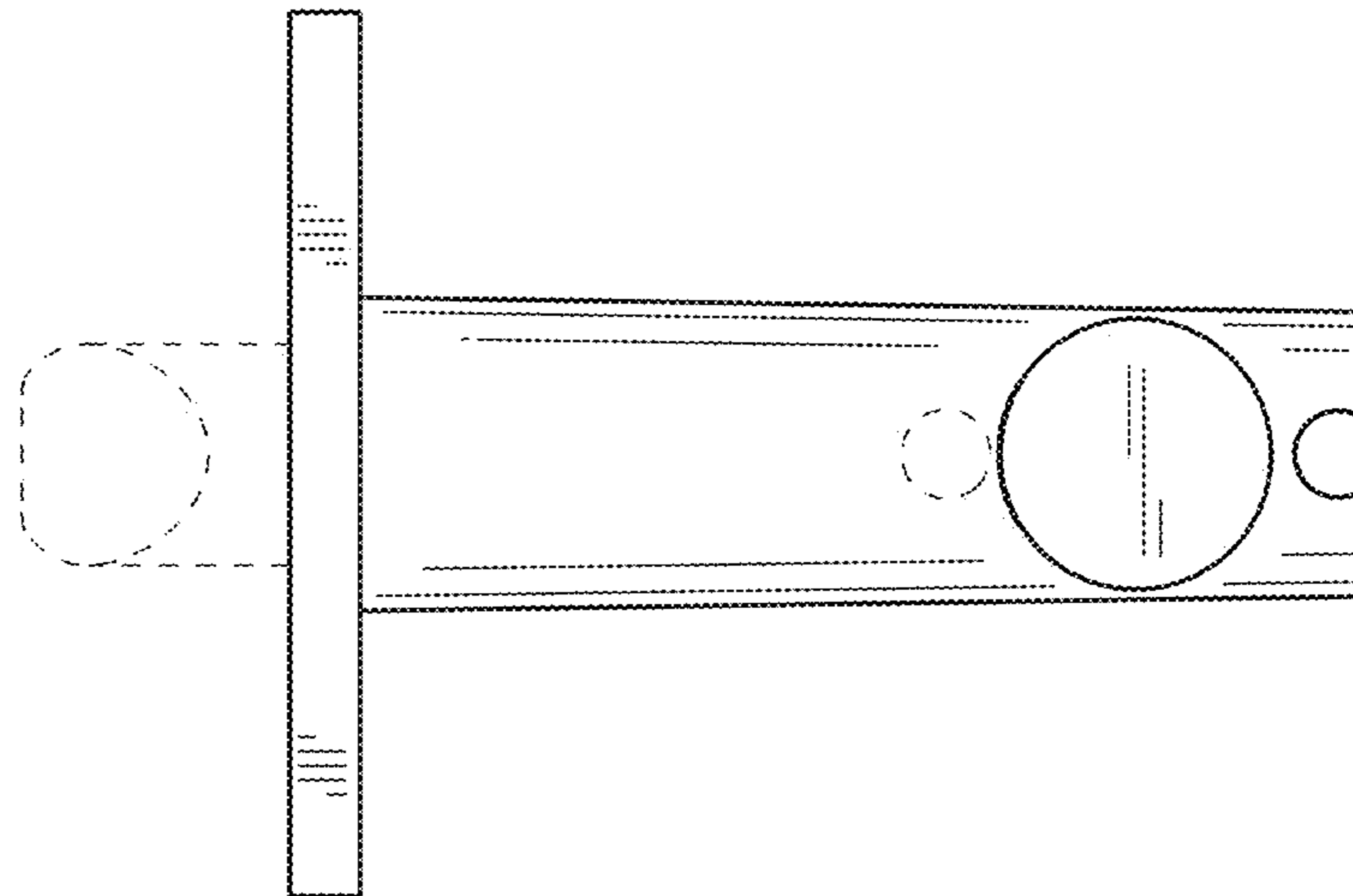
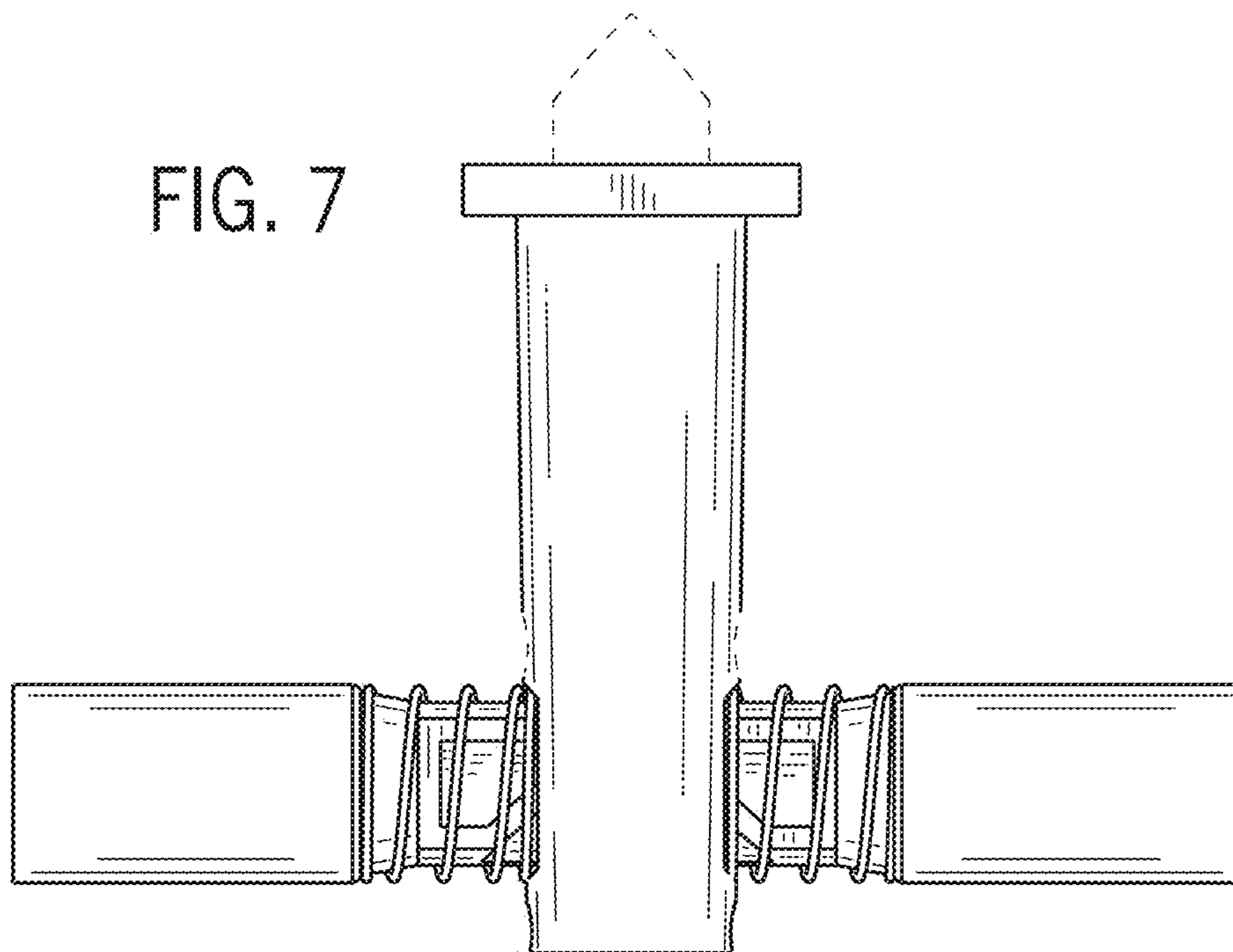
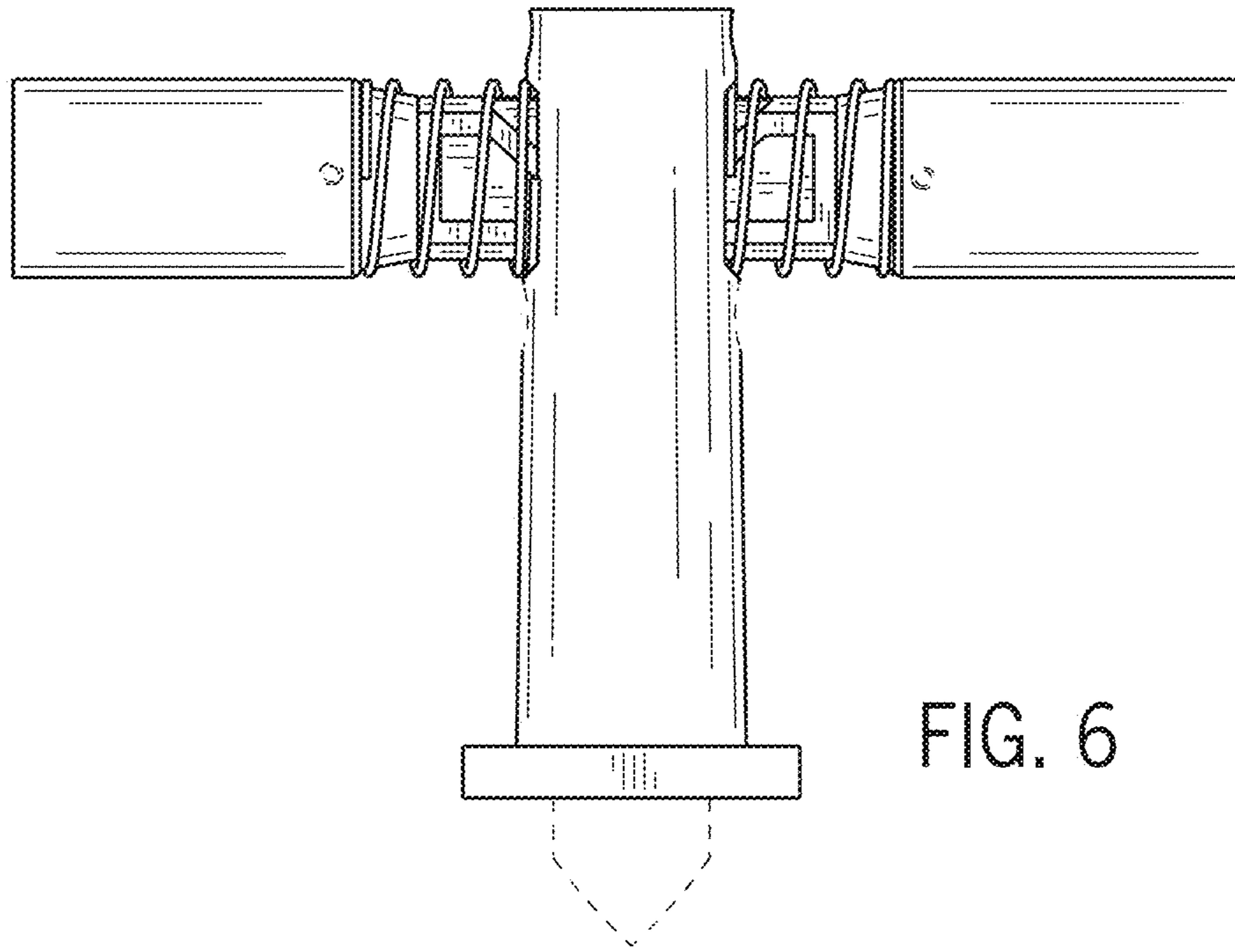


FIG. 4

FIG. 5





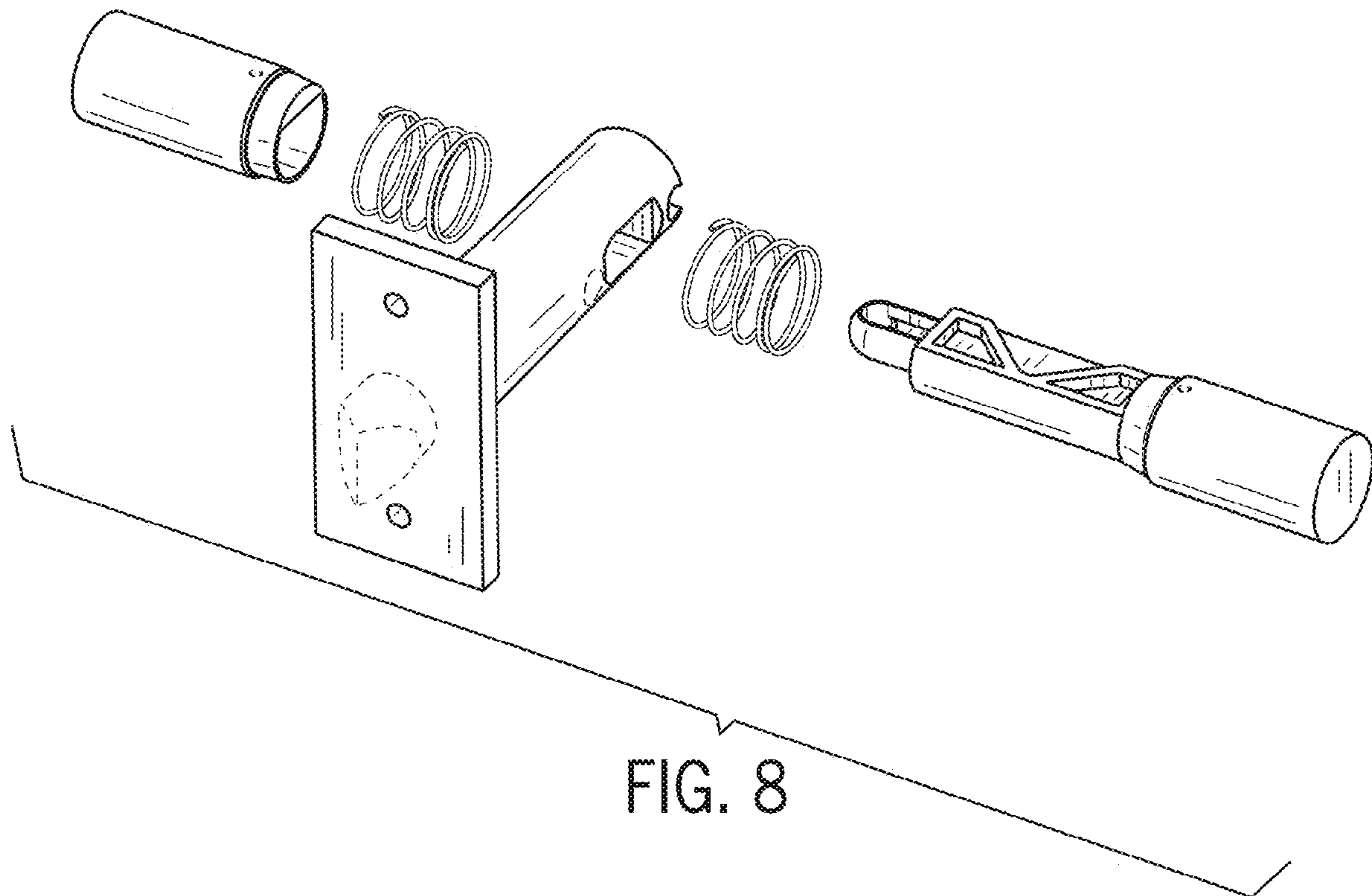


FIG. 8