



US00D936454S

(12) **United States Design Patent** (10) **Patent No.:** **US D936,454 S**  
**Guo** (45) **Date of Patent:** **\*\* Nov. 23, 2021**

(54) **DOOR LOCK**

*Primary Examiner* — Richard E Chilcot

(71) Applicant: **Yan Guo**, Issaquah, WA (US)

(57) **CLAIM**

(72) Inventor: **Yan Guo**, Issaquah, WA (US)

I claim the ornamental design for a door lock, as shown and described.

(\*\*) Term: **15 Years**

(21) Appl. No.: **29/634,641**

**DESCRIPTION**

(22) Filed: **Jan. 23, 2018**

(51) **LOC (13) Cl.** ..... **08-08**

(52) **U.S. Cl.**

USPC ..... **D8/331**

CPC ..... **G07C 9/00** (2013.01)

(58) **Field of Classification Search**

USPC ..... D8/330–348

CPC .. G07C 9/00309; G07C 9/00; G07C 9/00174;

G05B 19/00; G05B 19/02; G05B 8/02;

Y10T 70/7051; Y10T 70/50; Y10T

70/5004; Y10T 70/5155; Y10T 70/5199;

E05B 41/00; E05B 47/016

See application file for complete search history.

(56) **References Cited**

**U.S. PATENT DOCUMENTS**

5,475,996 A \* 12/1995 Chen ..... E05B 47/0692  
70/218

5,987,945 A \* 11/1999 Ruano Aramburu .....  
E05B 47/0692  
70/107

6,145,353 A \* 11/2000 Doucet ..... E05B 47/0692  
70/149

6,733,050 B1 \* 5/2004 Yao ..... E05B 63/044  
292/137

6,758,070 B2 \* 7/2004 Yu ..... E05B 47/068  
292/144

D502,859 S \* 3/2005 Peng ..... D8/331

D512,899 S \* 12/2005 Oskamp ..... D8/331

7,091,429 B2 \* 8/2006 Case ..... E05B 15/02  
200/314

D545,172 S \* 6/2007 Kaiser ..... D8/331

D551,057 S \* 9/2007 Min ..... D8/330

(Continued)

FIG. 1 is a front right perspective view of a door lock including both a front lock body and a rear lock body showing our new design;

FIG. 2 is a front elevational view of the front lock body thereof;

FIG. 3 is a top plan view of the front lock body thereof;

FIG. 4 is a bottom plan view of the front lock body thereof;

FIG. 5 is a right side elevational view of the front lock body thereof;

FIG. 6 is a left side elevational view of the front lock body thereof;

FIG. 7 is a front right perspective view of the front lock body thereof;

FIG. 8 is the front left perspective view of the front lock body thereof;

FIG. 9 is the front elevational view of the rear lock body thereof;

FIG. 10 is the left side elevational view of the rear lock body thereof;

FIG. 11 is the right side elevational view of the rear lock body thereof;

FIG. 12 is a top plan view of the rear lock body thereof;

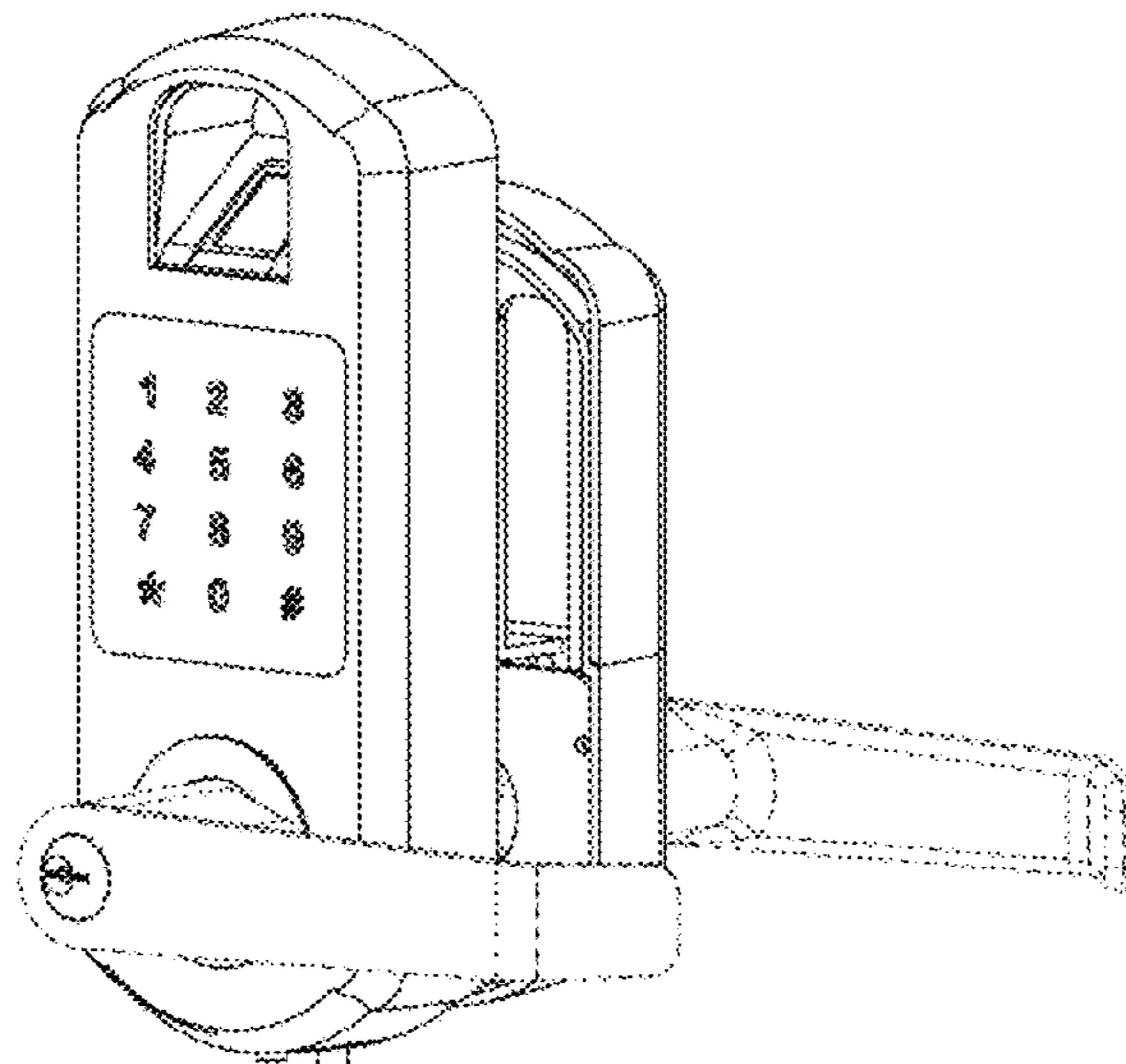
FIG. 13 is a bottom plan view of the rear lock body thereof;

FIG. 14 is a left side perspective view of the rear lock body thereof; and,

FIG. 15 is a right side perspective view of the rear lock body thereof.

The elements shown in broken lines illustrating a lock handle and a key hole are included for the purpose of illustrating environment and form no part of the claimed design.

**1 Claim, 15 Drawing Sheets**



(56)

References Cited

U.S. PATENT DOCUMENTS

D568,717 S \* 5/2008 Longo ..... D8/341  
 D581,245 S \* 11/2008 Conway ..... D8/330  
 D581,246 S \* 11/2008 Conway ..... D8/330  
 D607,302 S \* 1/2010 Kim ..... D8/331  
 D607,303 S \* 1/2010 Kim ..... D8/331  
 D640,525 S \* 6/2011 Min ..... D8/331  
 D673,025 S \* 12/2012 Genord ..... D8/331  
 D679,986 S \* 4/2013 Hsieh ..... D8/330  
 D698,222 S \* 1/2014 Guo ..... D8/330  
 D731,286 S \* 6/2015 Gokcebey ..... D8/331  
 D731,287 S \* 6/2015 Gokcebey ..... D8/331  
 D738,700 S \* 9/2015 Yan ..... D8/330  
 D790,948 S \* 7/2017 Lai ..... D8/331  
 D790,951 S \* 7/2017 Sanchez ..... D8/331  
 D791,569 S \* 7/2017 Chen ..... D8/331  
 D814,265 S \* 4/2018 Kasper ..... D8/330  
 D818,795 S \* 5/2018 Morstatt ..... D8/331  
 D840,785 S \* 2/2019 Kasper ..... D8/330

D891,223 S \* 7/2020 Ronge ..... D8/331  
 D892,594 S \* 8/2020 Ronge ..... D8/331  
 D904,160 S \* 12/2020 Jin ..... D8/331  
 D904,161 S \* 12/2020 Li ..... D8/331  
 D904,162 S \* 12/2020 Jin ..... D8/331  
 D904,163 S \* 12/2020 Jin ..... D8/331  
 D904,164 S \* 12/2020 Jin ..... D8/331  
 D904,165 S \* 12/2020 Jin ..... D8/331  
 D904,166 S \* 12/2020 Jin ..... D8/331  
 D906,086 S \* 12/2020 Qinggui ..... D8/331  
 D906,783 S \* 1/2021 Jung ..... D8/330  
 D911,147 S \* 2/2021 Li ..... D8/330  
 D912,492 S \* 3/2021 Singh ..... H04N 7/188  
 D915,176 S \* 4/2021 Singtoroj ..... D8/331  
 D916,579 S \* 4/2021 Tang ..... D8/331  
 D920,766 S \* 6/2021 Zheng ..... D8/331  
 D922,852 S \* 6/2021 Bae ..... D8/330  
 2018/0171672 A1 \* 6/2018 Lin ..... E05B 47/06  
 2018/0283044 A1 \* 10/2018 Morstatt ..... E05B 71/00

\* cited by examiner

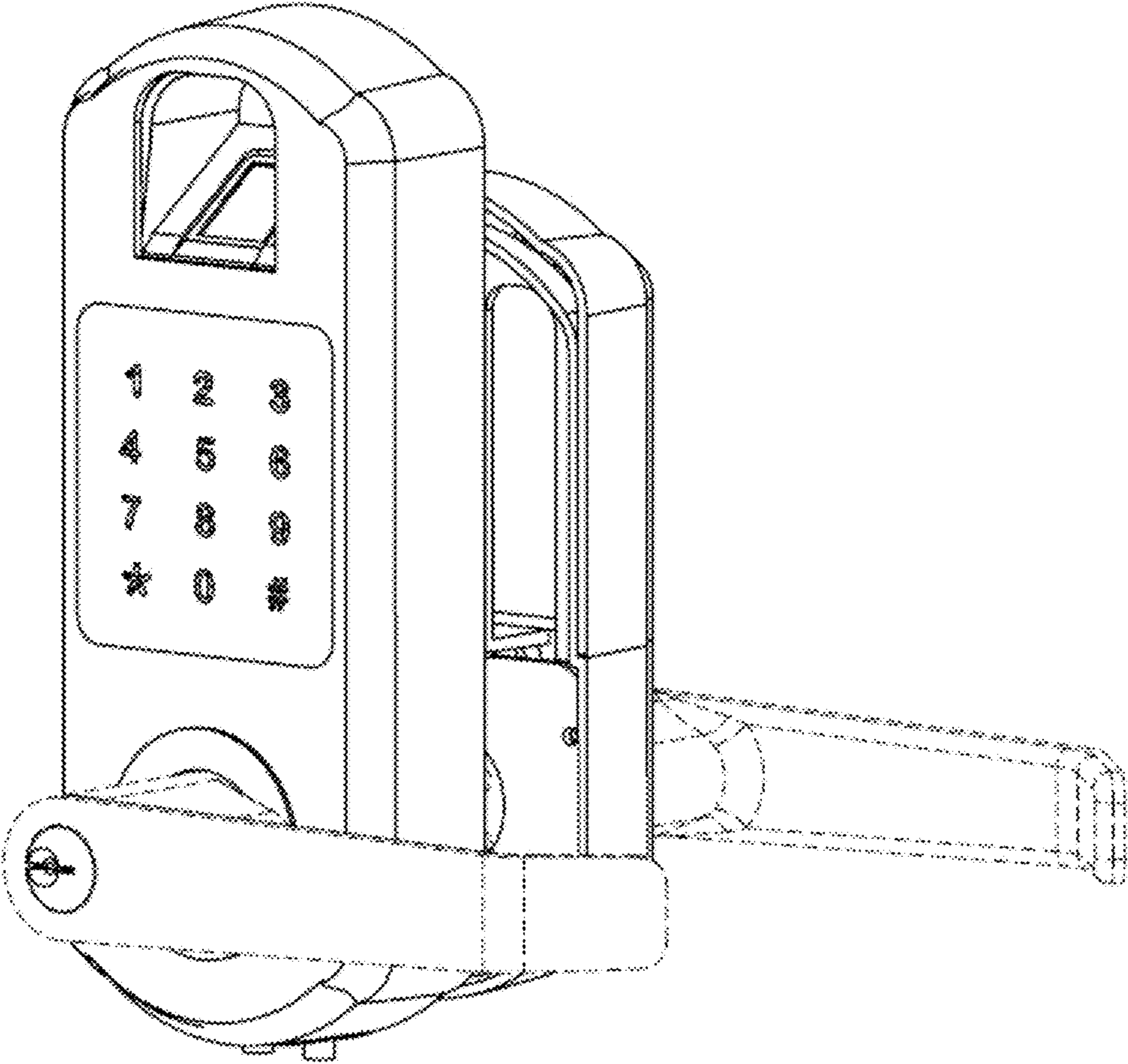


FIG. 1

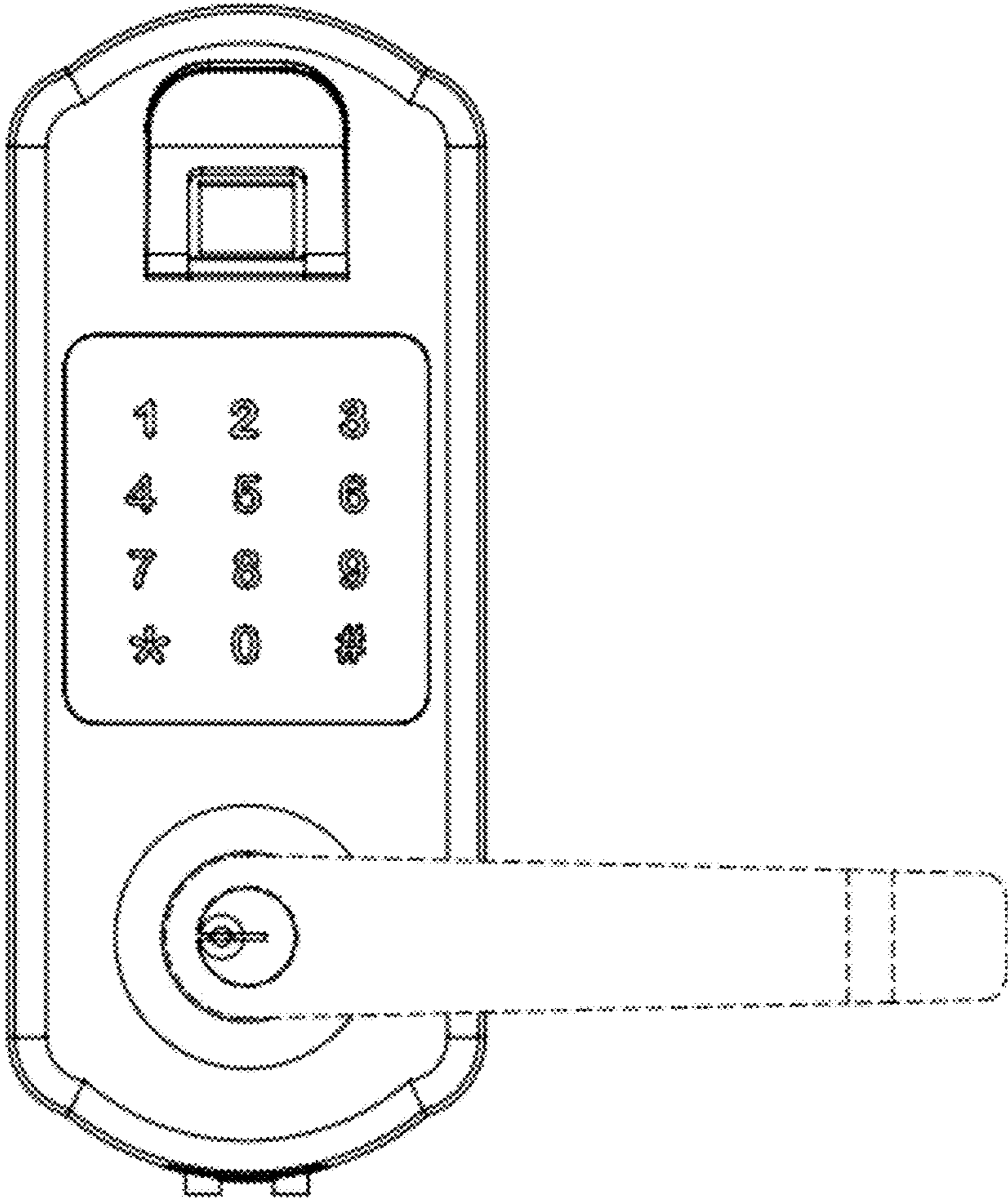


FIG. 2

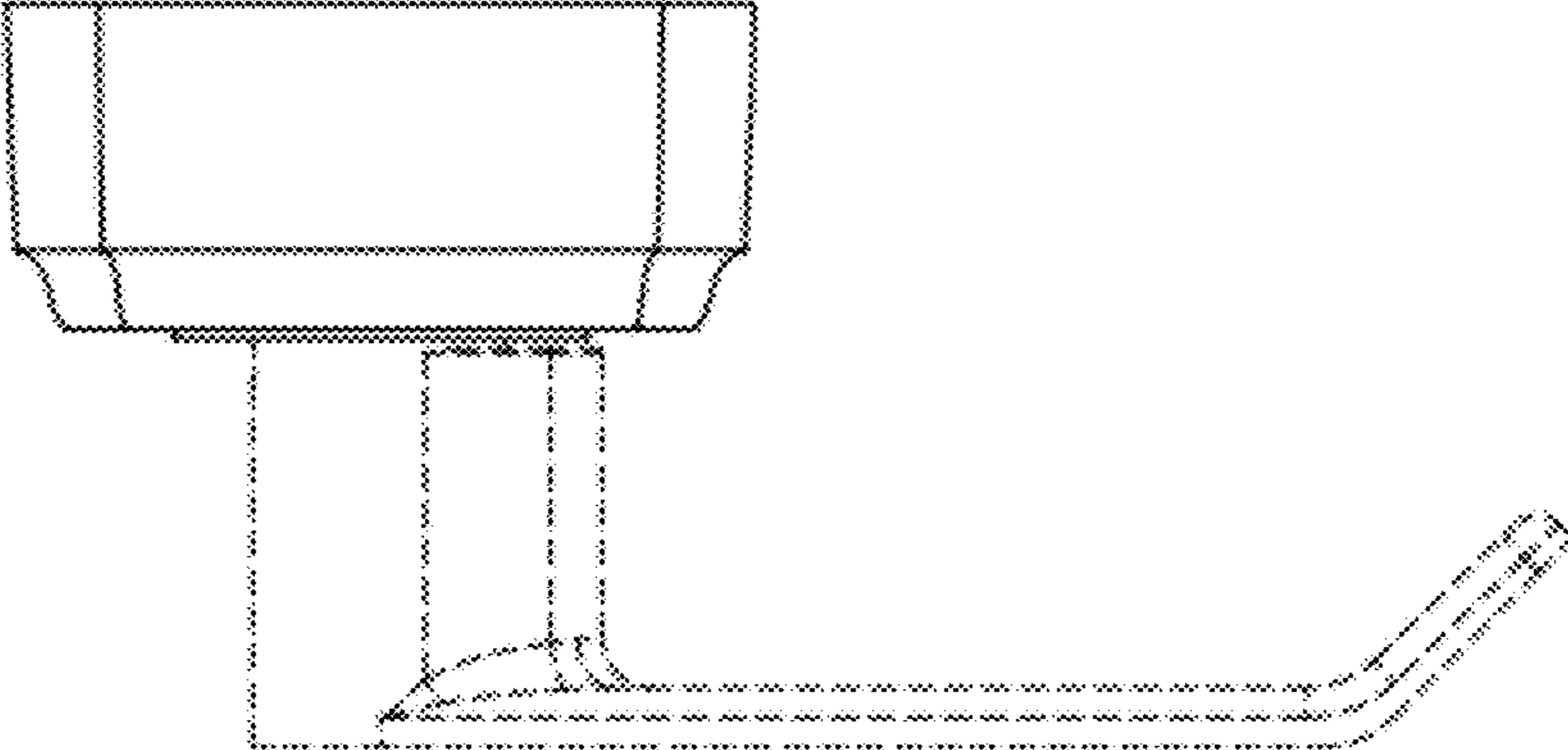


FIG. 3

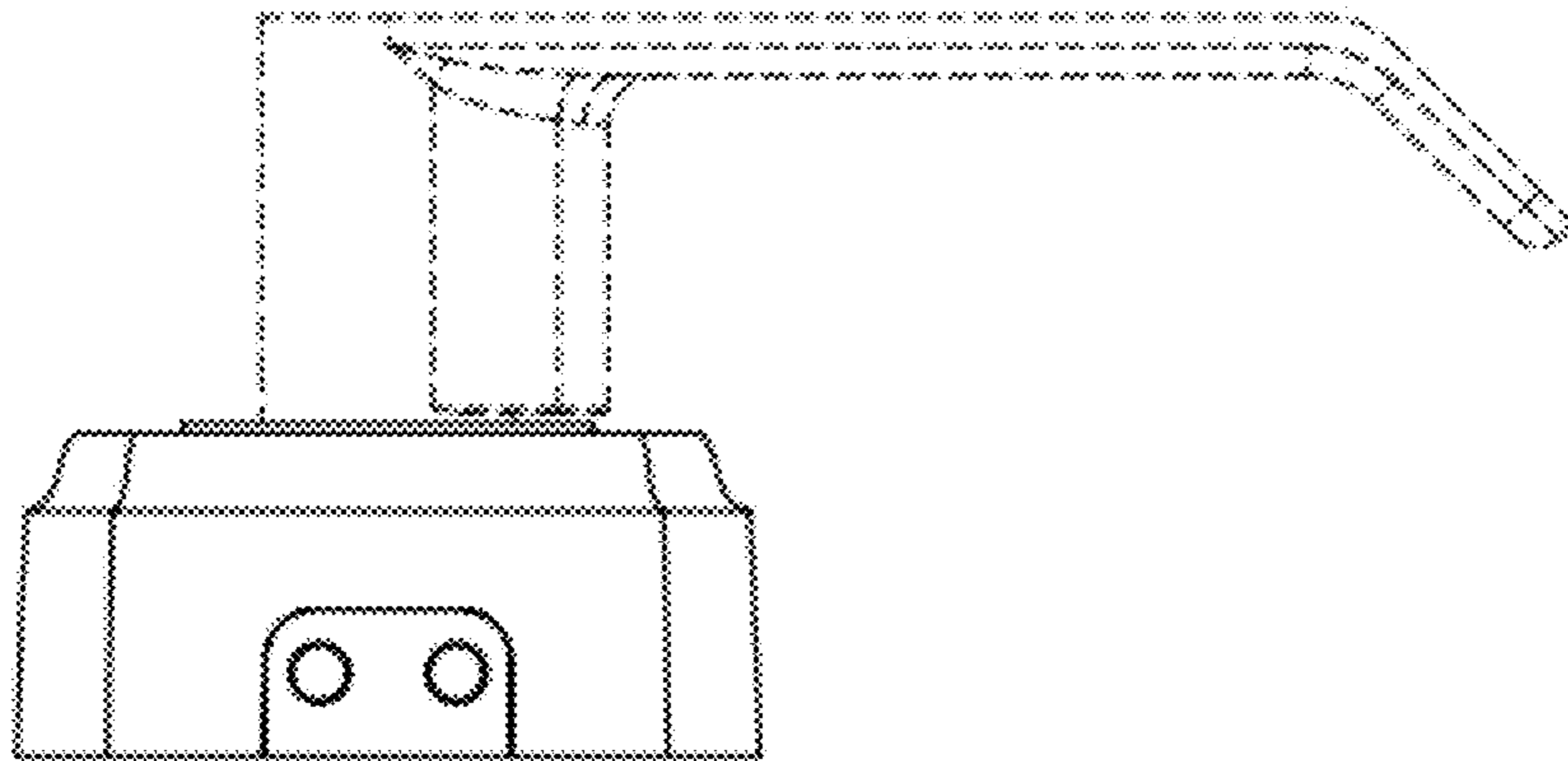


FIG. 4

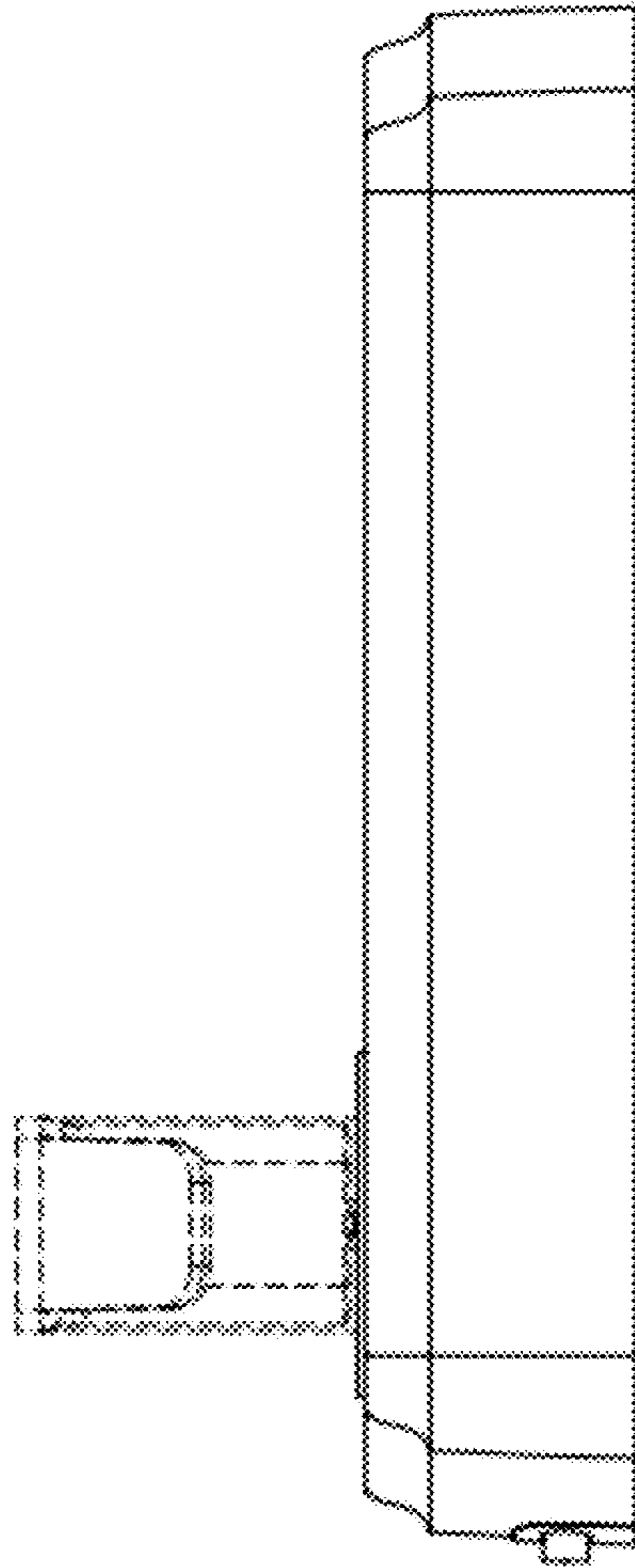


FIG. 5

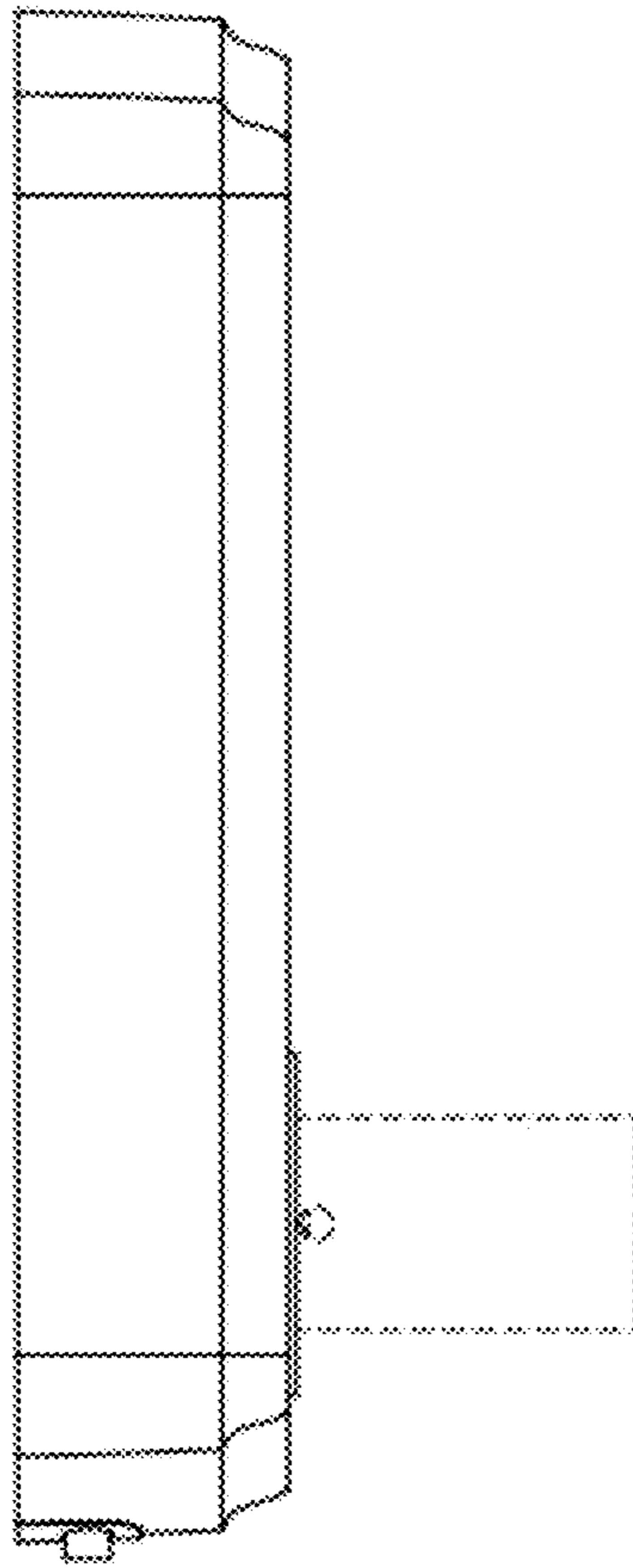


FIG. 6



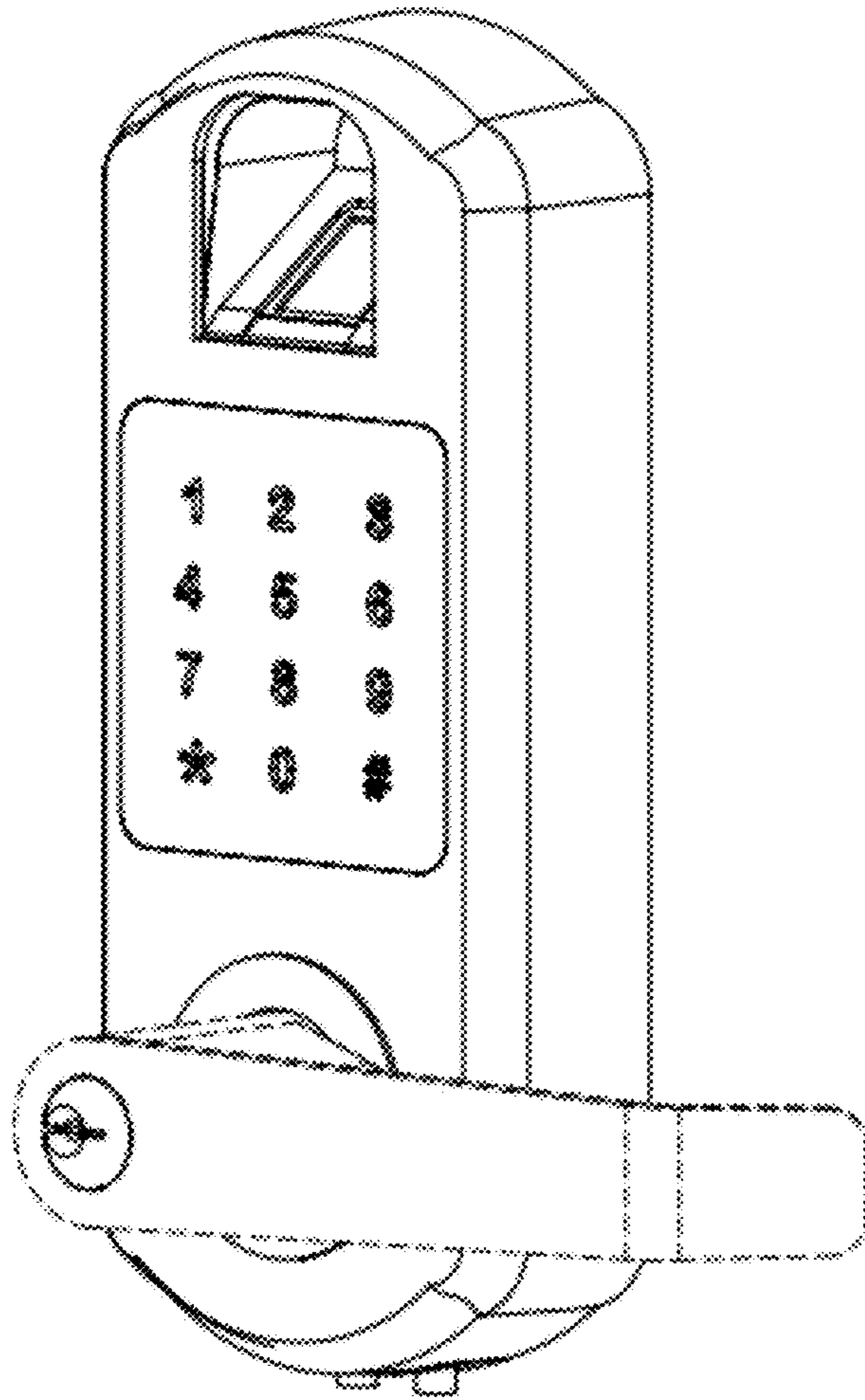


FIG. 7

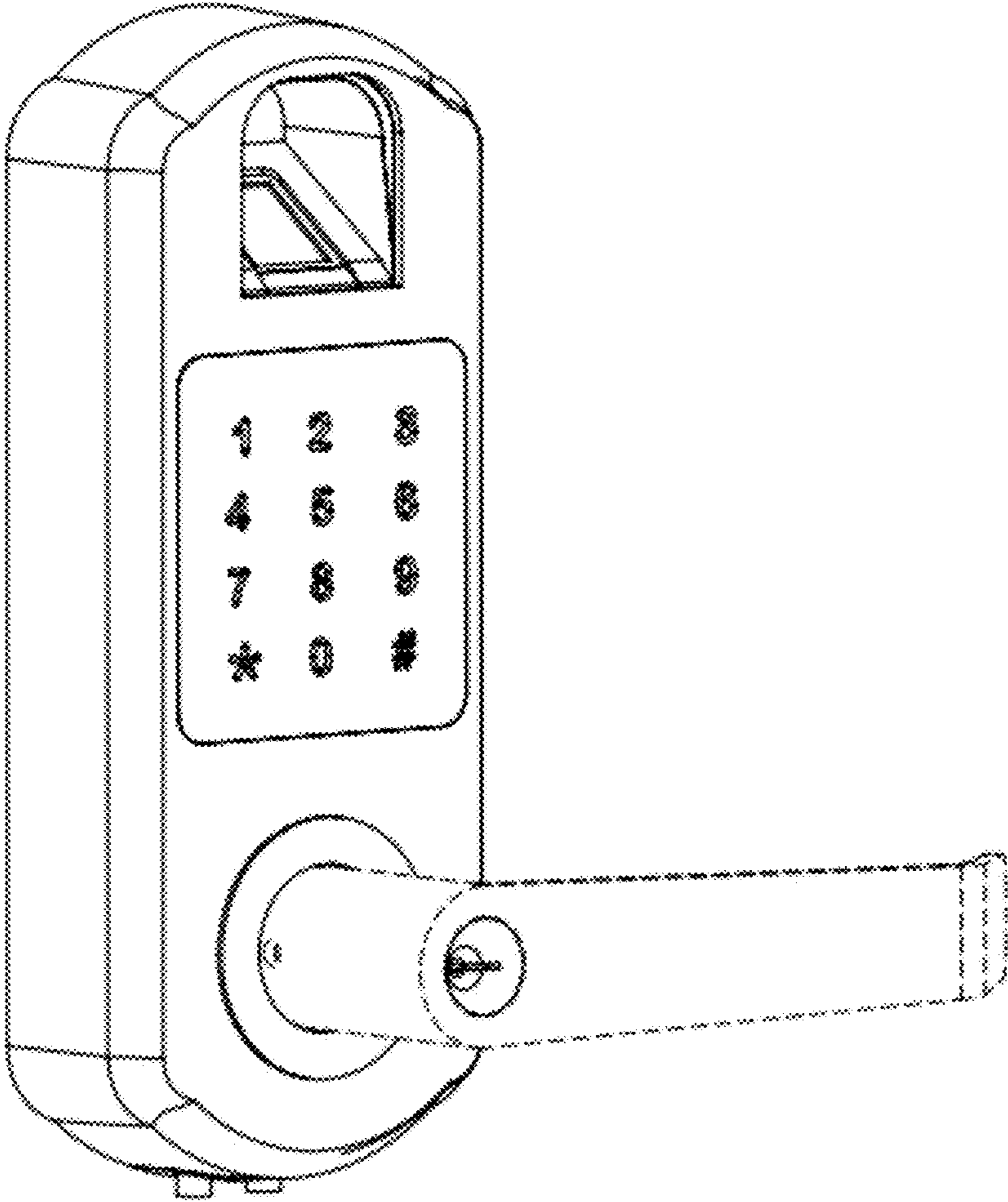


FIG. 8

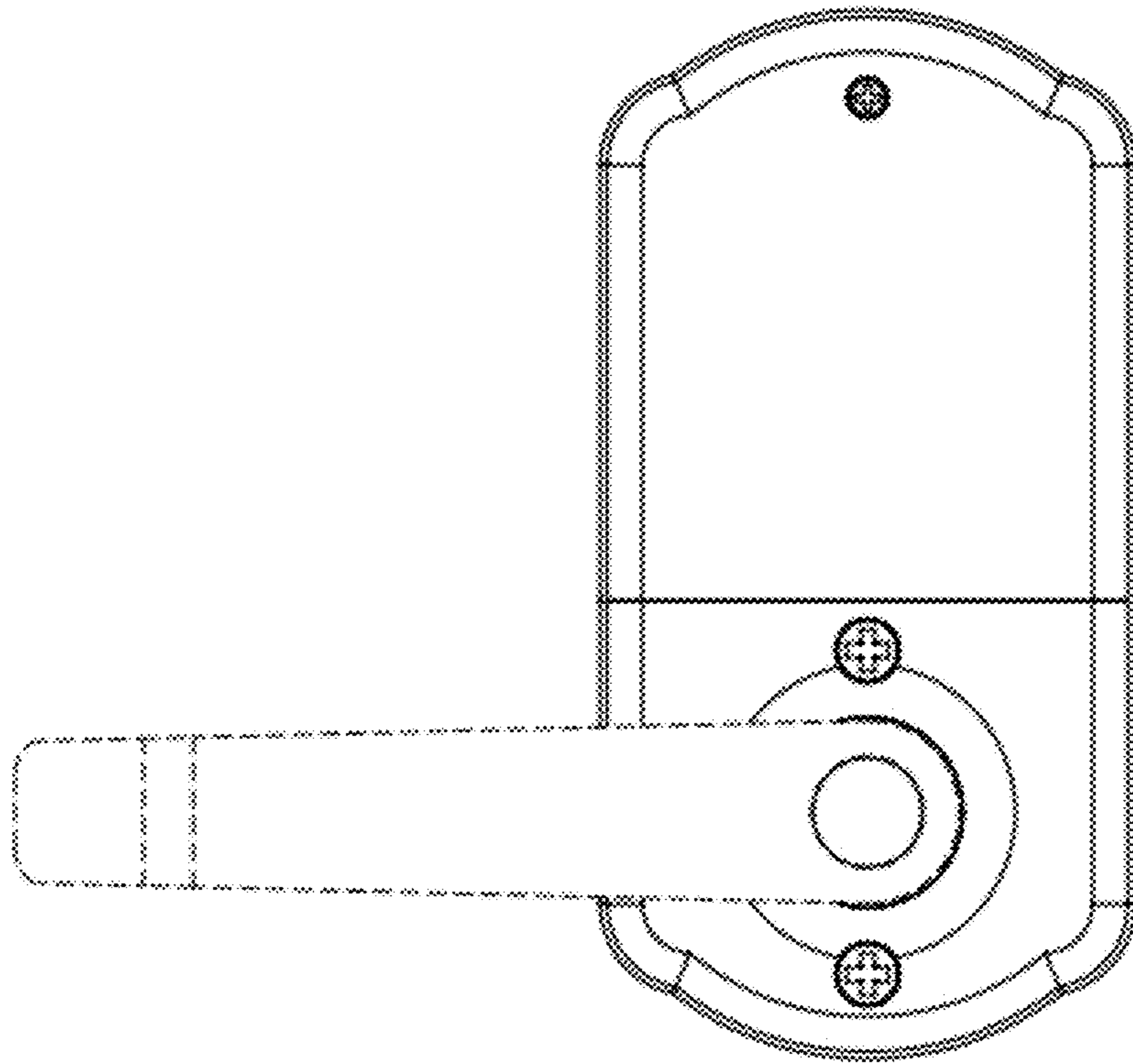


FIG. 9

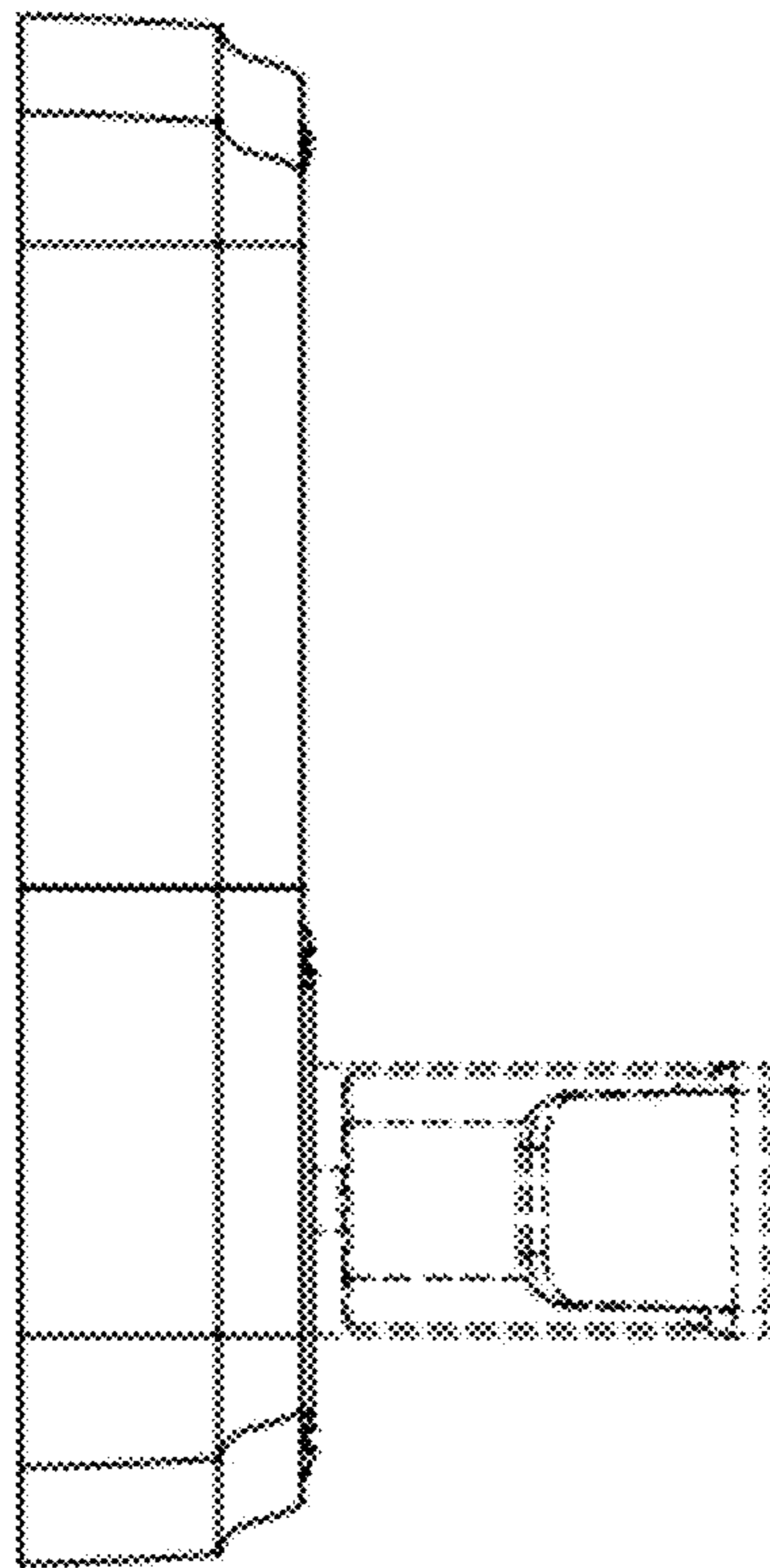


FIG. 10

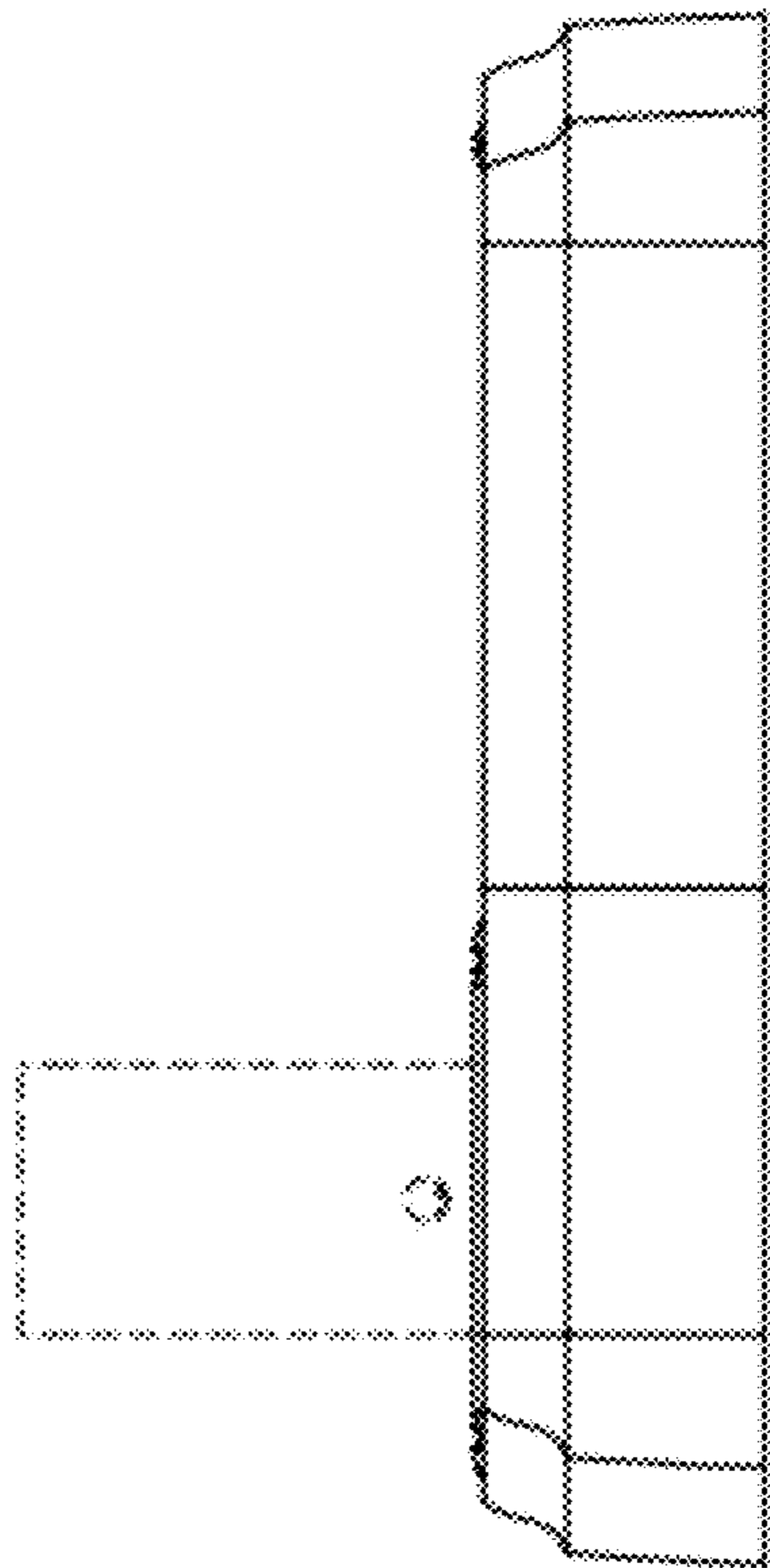


FIG. 11

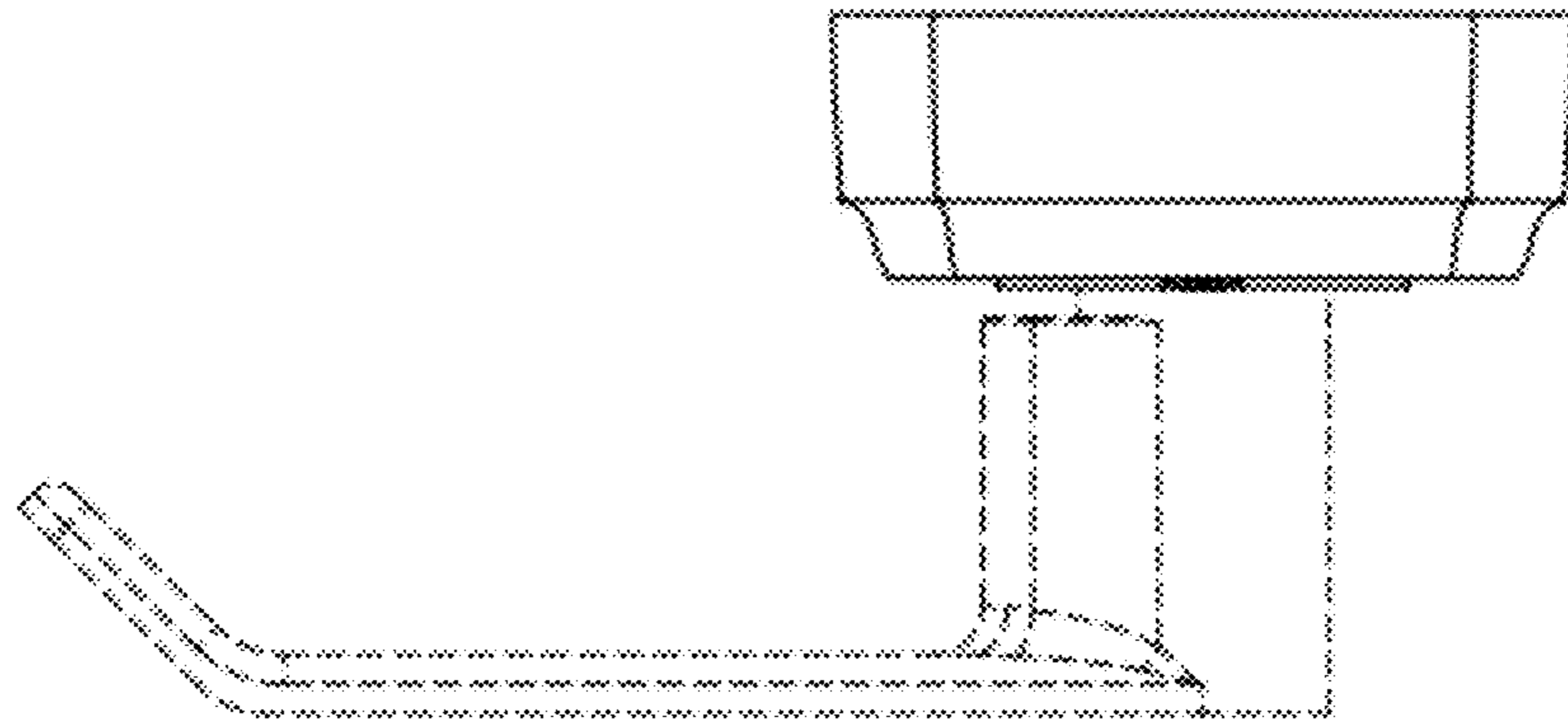


FIG. 12

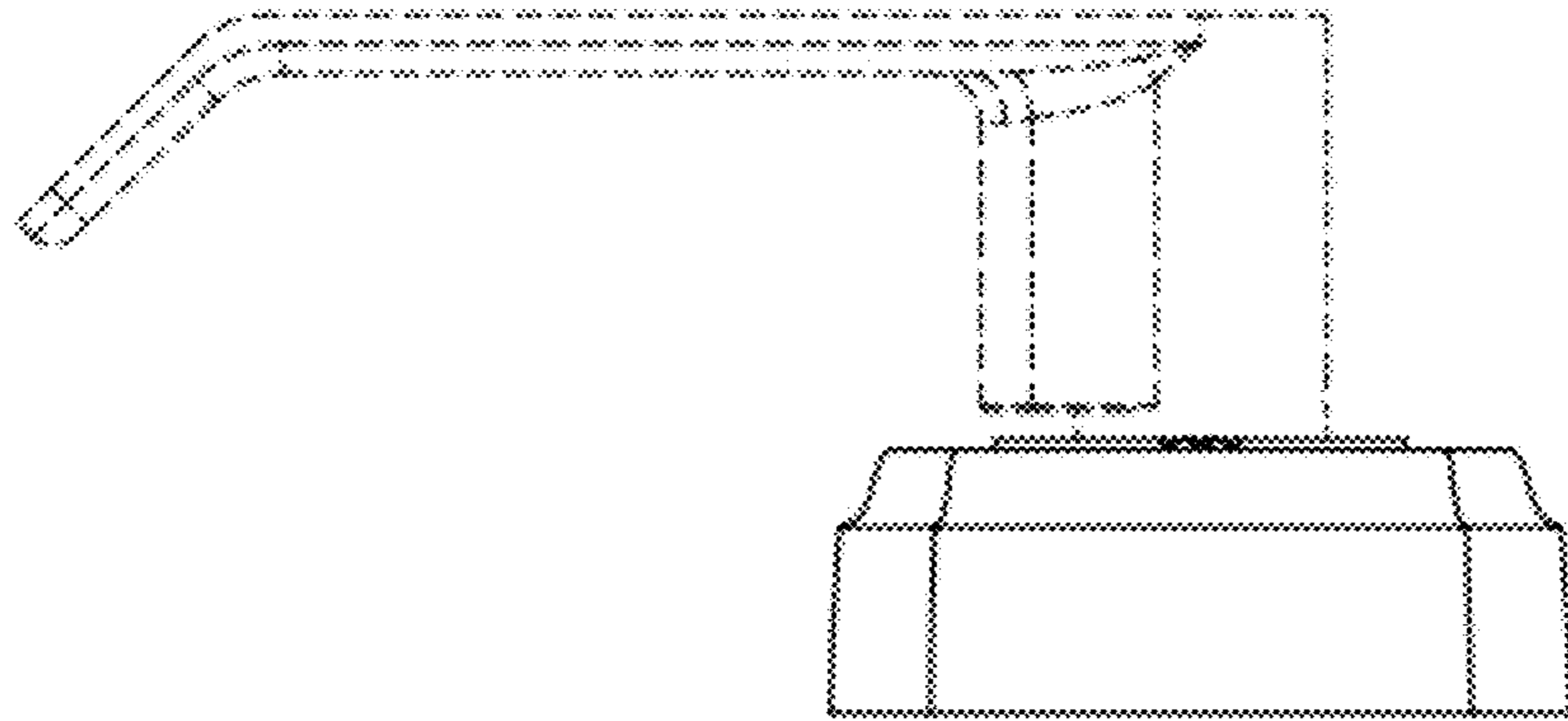


FIG. 13

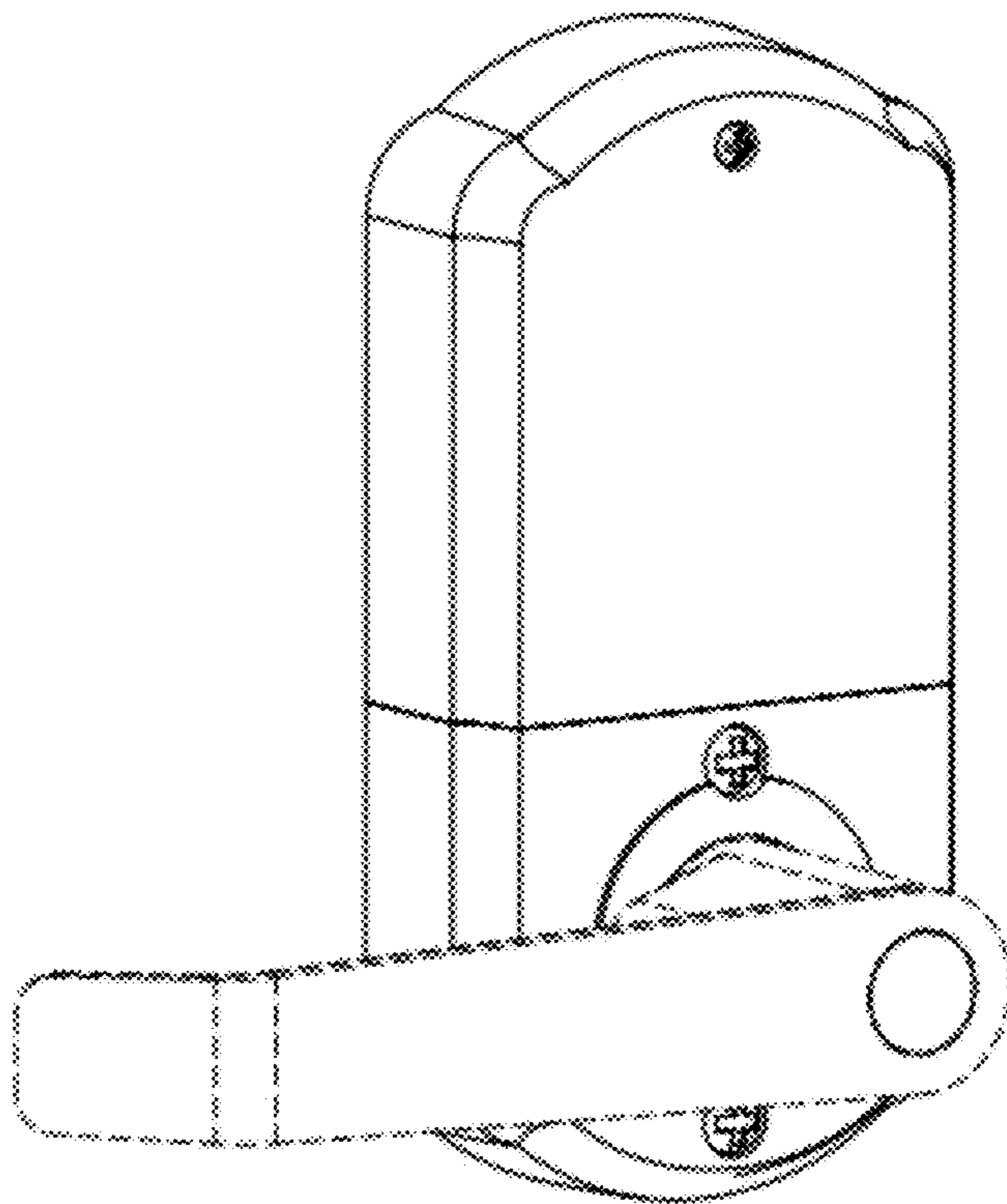


FIG. 14



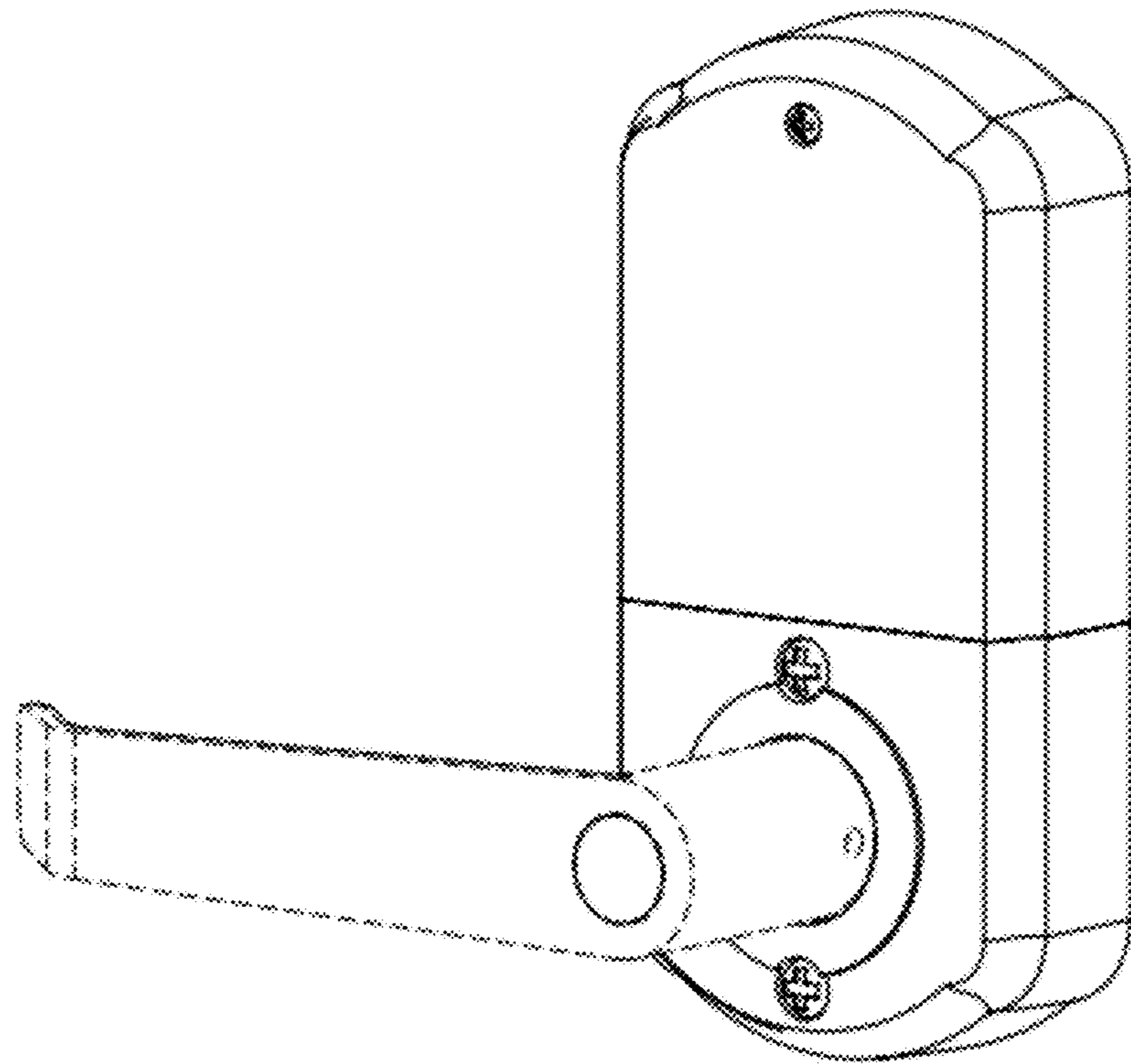


FIG. 15