



US00D936452S

(12) **United States Design Patent** (10) **Patent No.:** **US D936,452 S**  
**Marsden** (45) **Date of Patent:** **\*\* Nov. 23, 2021**

(54) **GATE HINGE**  
(71) Applicant: **Elbee Pty Ltd.**, Bondi Junction (AU)  
(72) Inventor: **Andrew Marsden**, Hingham, MA (US)  
(73) Assignee: **Elbee Pty Ltd.**, Bondi Junction (AU)  
(\*\*) Term: **15 Years**

D777,554 S \* 1/2017 Elbaz ..... D8/323  
D782,273 S \* 3/2017 Cramer-Kelly ..... D8/323  
D789,767 S \* 6/2017 Lu ..... D8/323  
D829,530 S \* 10/2018 Johnston ..... D8/323  
D834,915 S \* 12/2018 Boyce ..... A63B 67/06  
D890,748 S \* 7/2020 Lin ..... D14/327  
2004/0137970 A1 \* 7/2004 Han ..... H04M 1/0216  
455/575.3  
2014/0007506 A1 1/2014 Huang

\* cited by examiner

(21) Appl. No.: **29/722,666**  
(22) Filed: **Jan. 31, 2020**  
(51) **LOC (13) Cl.** ..... **08-06**  
(52) **U.S. Cl.**  
USPC ..... **D8/323**  
(58) **Field of Classification Search**  
USPC ..... D8/323, 327, 328, 329; 16/250, 251  
CPC .. E05D 1/00; E05D 11/06; E05D 5/11; E05D  
3/02; E05D 1/02; E05D 11/082; E05D  
5/12; A47K 13/12  
See application file for complete search history.

*Primary Examiner* — Cynthia R Underwood  
(74) *Attorney, Agent, or Firm* — Wolf, Greenfield & Sacks, P.C.

(57) **CLAIM**

The ornamental design for a gate hinge, as shown and described.

**DESCRIPTION**

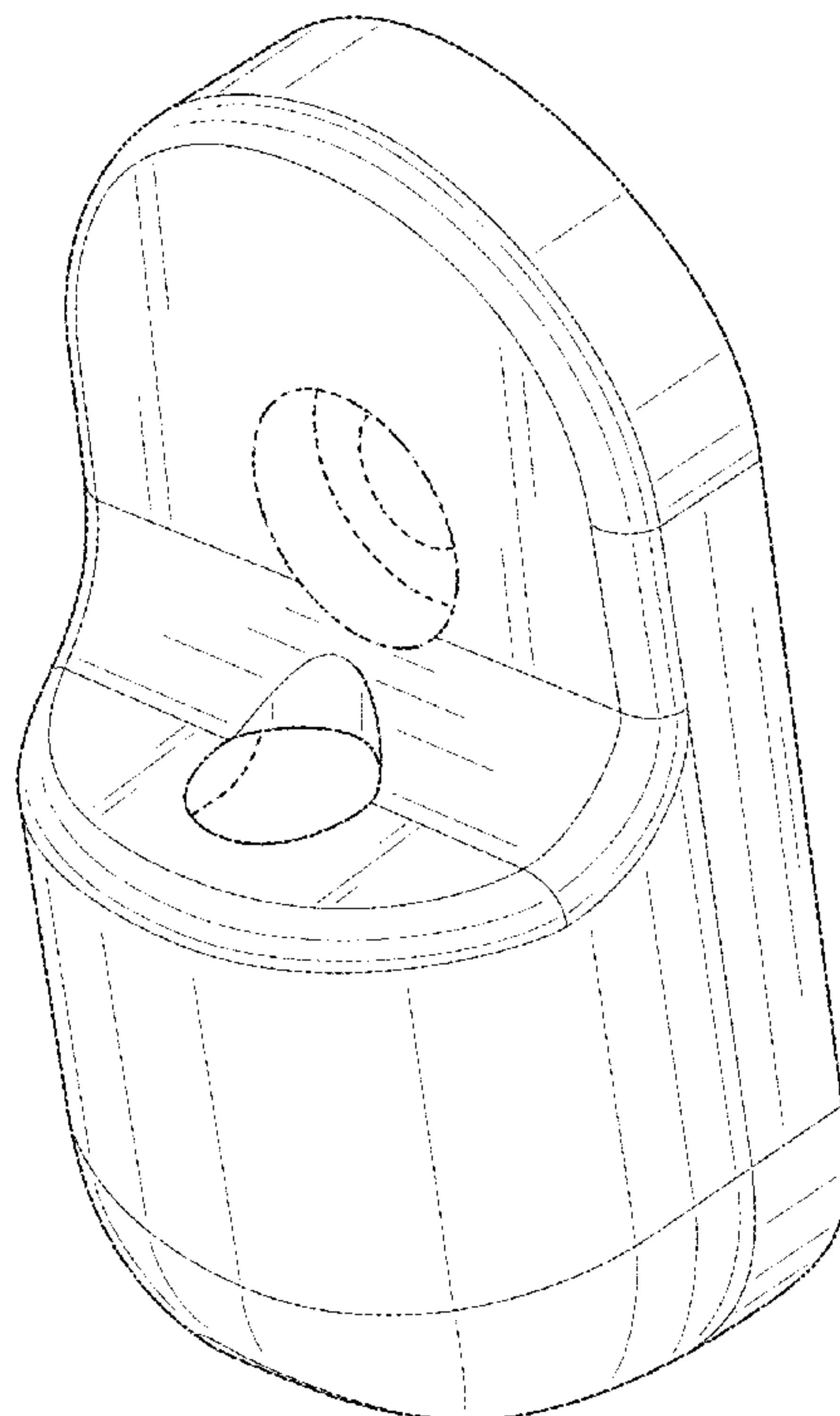
FIG. 1 is a top, front, and right side perspective view of a gate hinge according to my new design, the top, front, and left side perspective view being a mirror image thereof; FIG. 2 is a front elevation view thereof; FIG. 3 is a rear elevation view thereof; FIG. 4 is a left side elevation view thereof; FIG. 5 is a right side elevation view thereof; FIG. 6 is a top plan view thereof; and, FIG. 7 is a bottom plan view thereof. The dot-dash broken lines represent boundaries of the claimed design and form no part of the claimed design. The dash-dash broken lines depict portions of the gate hinge that form no part of the claimed design.

(56) **References Cited**

**U.S. PATENT DOCUMENTS**

D30,721 S \* 5/1899 Decker ..... D8/323  
D293,003 S \* 12/1987 Larkin ..... D12/217  
D498,136 S \* 11/2004 Parker ..... D8/323  
D563,199 S \* 3/2008 Liao ..... D8/323  
D639,634 S \* 6/2011 Arai ..... D8/323  
D652,286 S \* 1/2012 Mair ..... D8/356  
D661,174 S \* 6/2012 Ogawa ..... D8/323  
8,477,505 B2 \* 7/2013 Samuels ..... G06F 1/1632  
361/728  
D705,640 S \* 5/2014 Wiese ..... D8/323

**1 Claim, 7 Drawing Sheets**



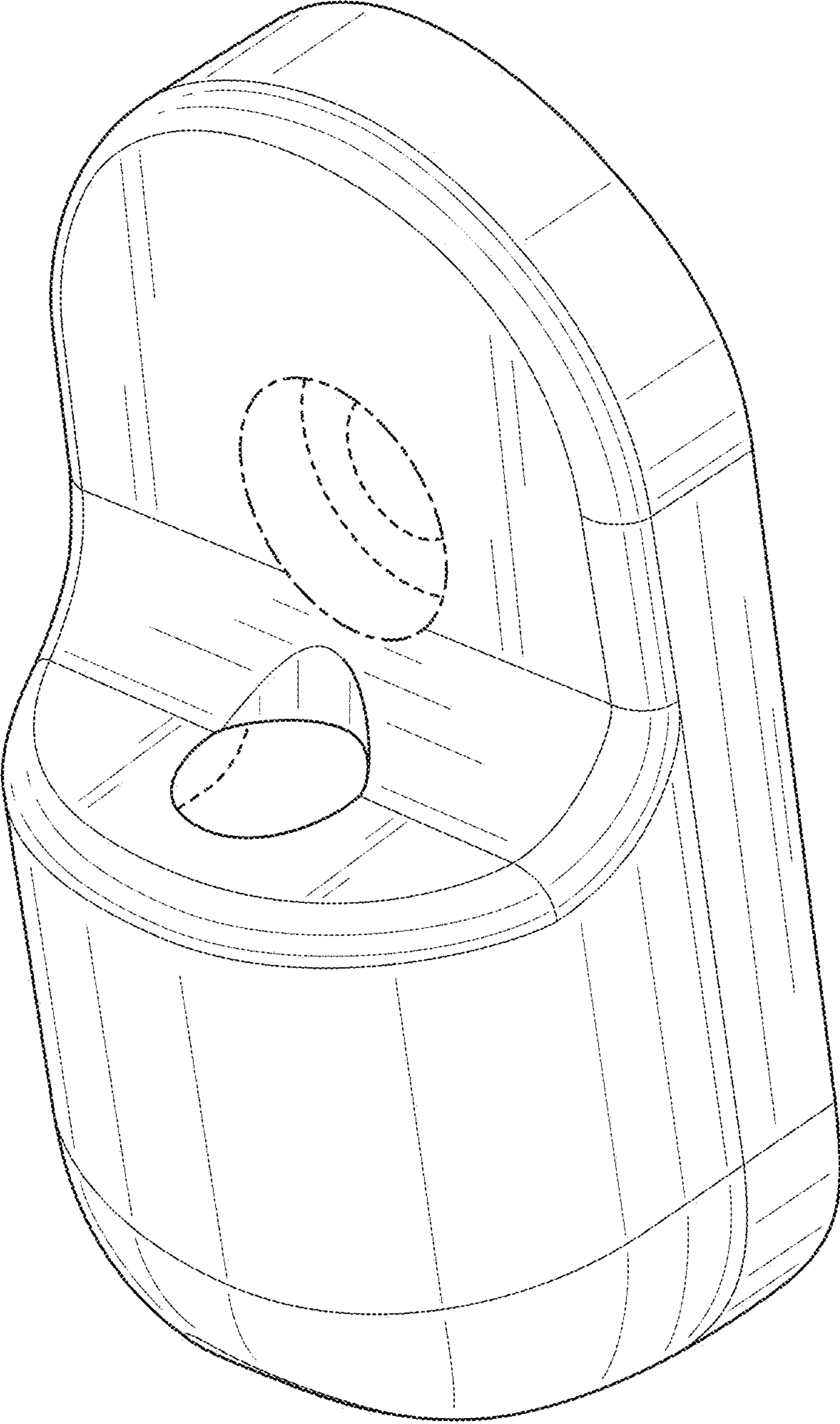


FIG. 1

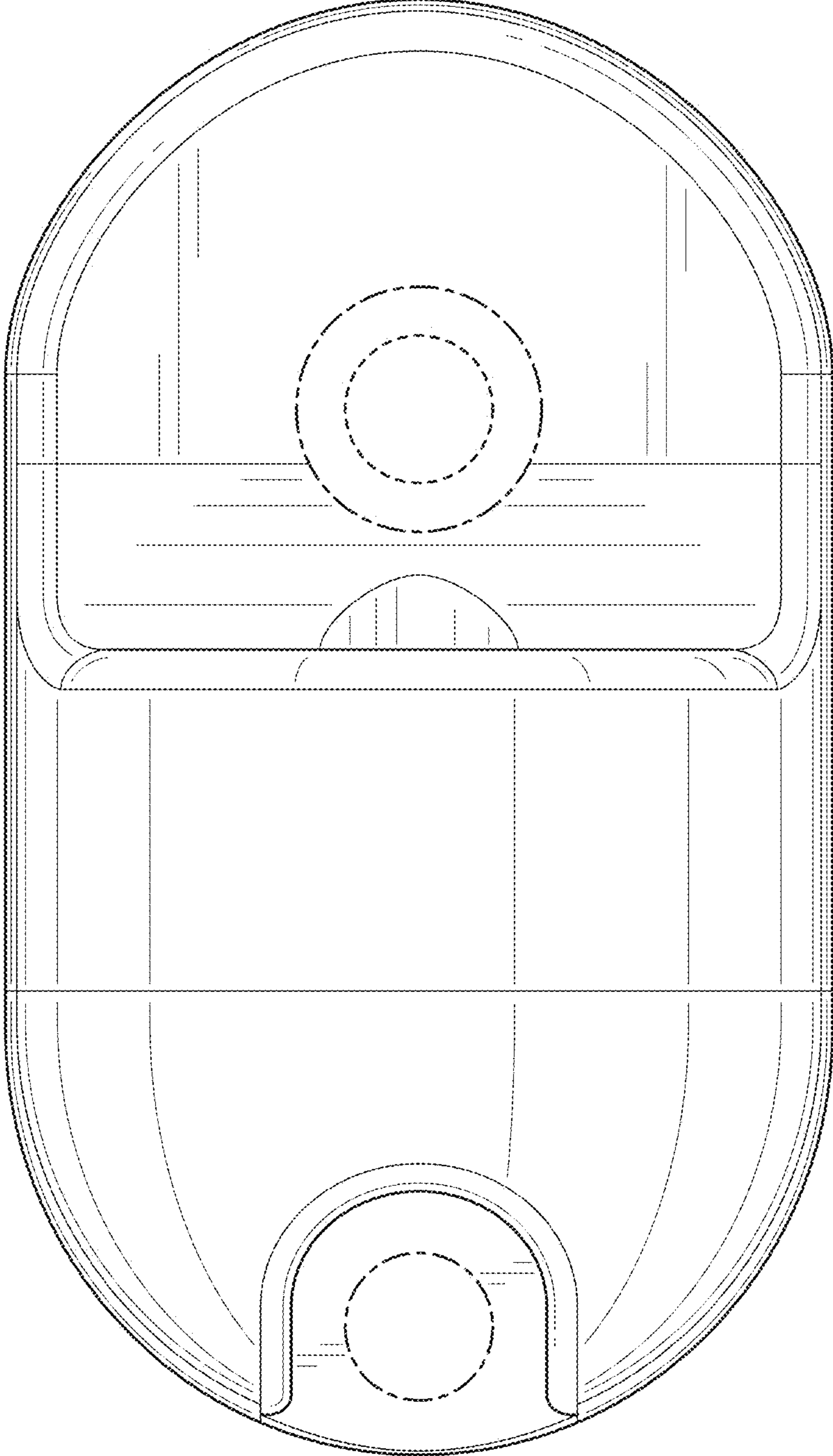


FIG. 2

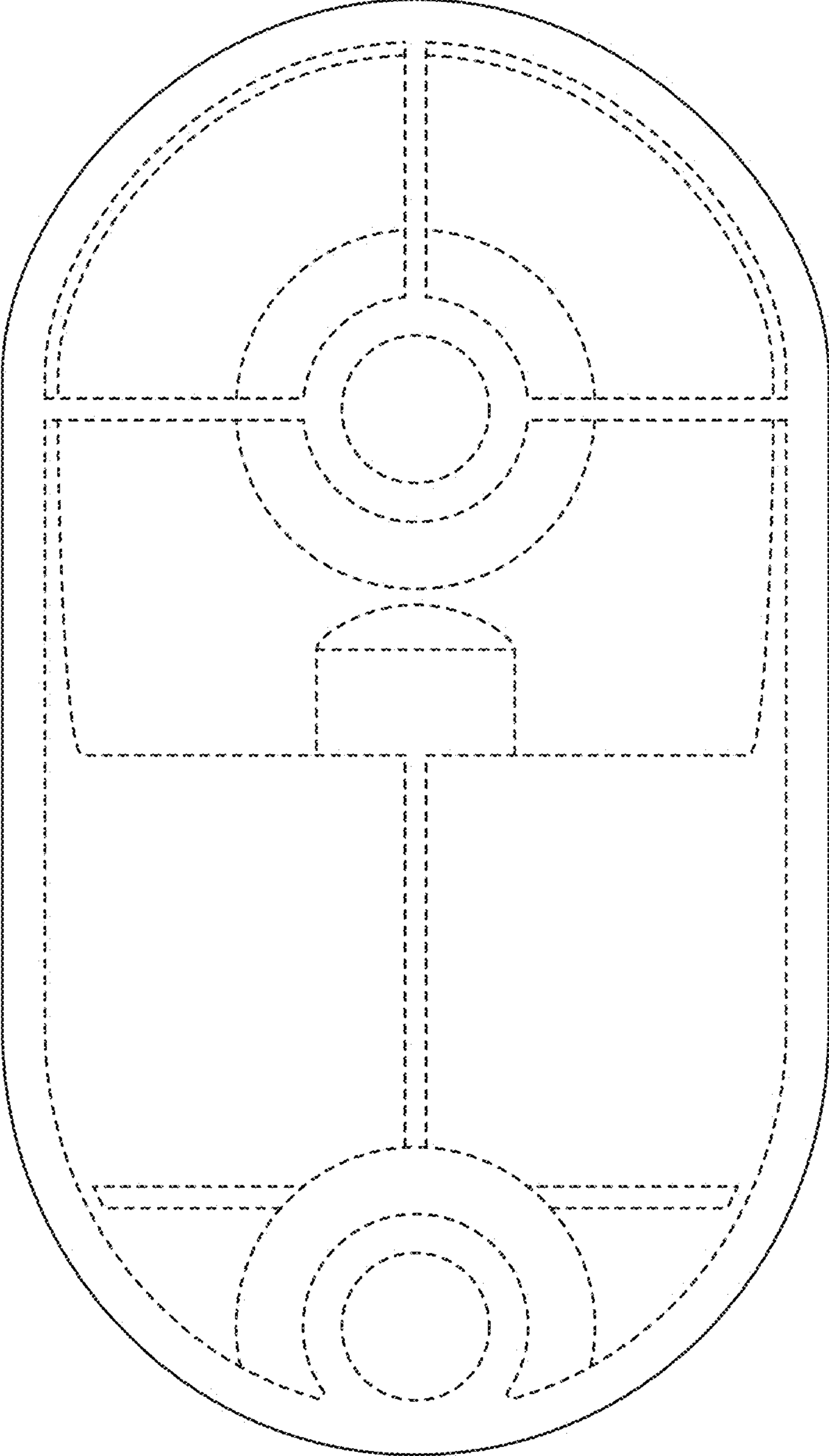


FIG. 3

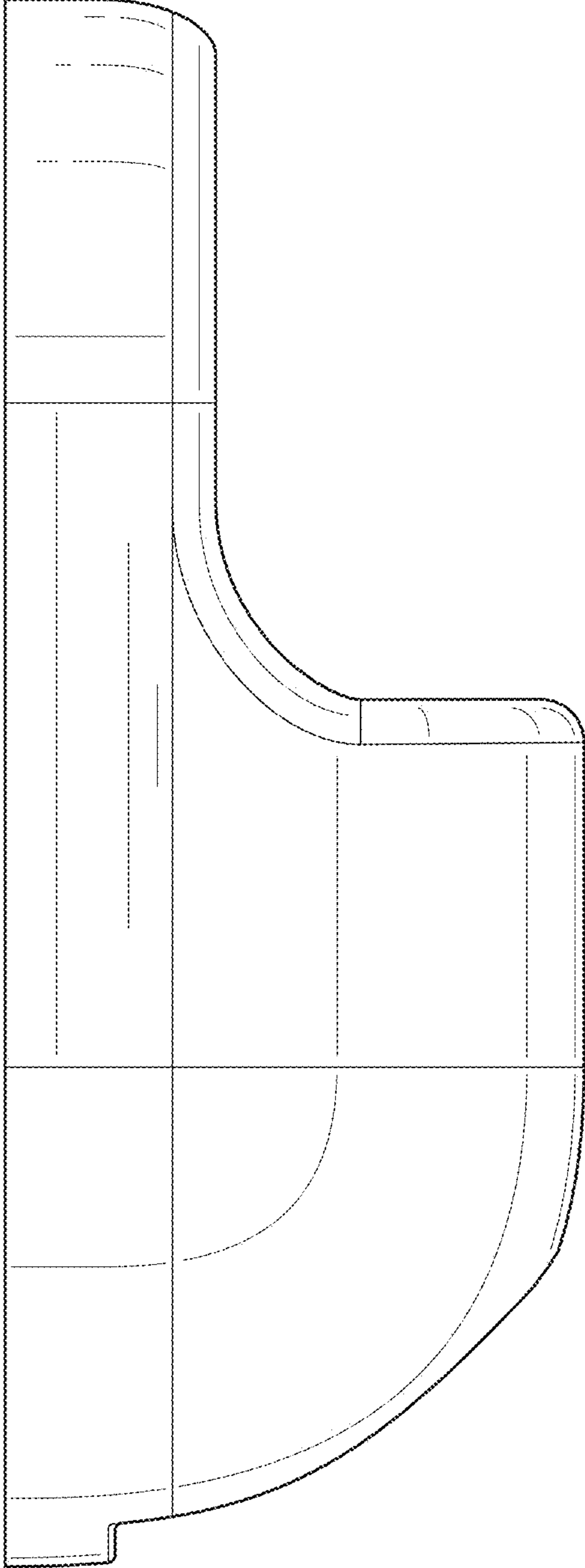


FIG. 4



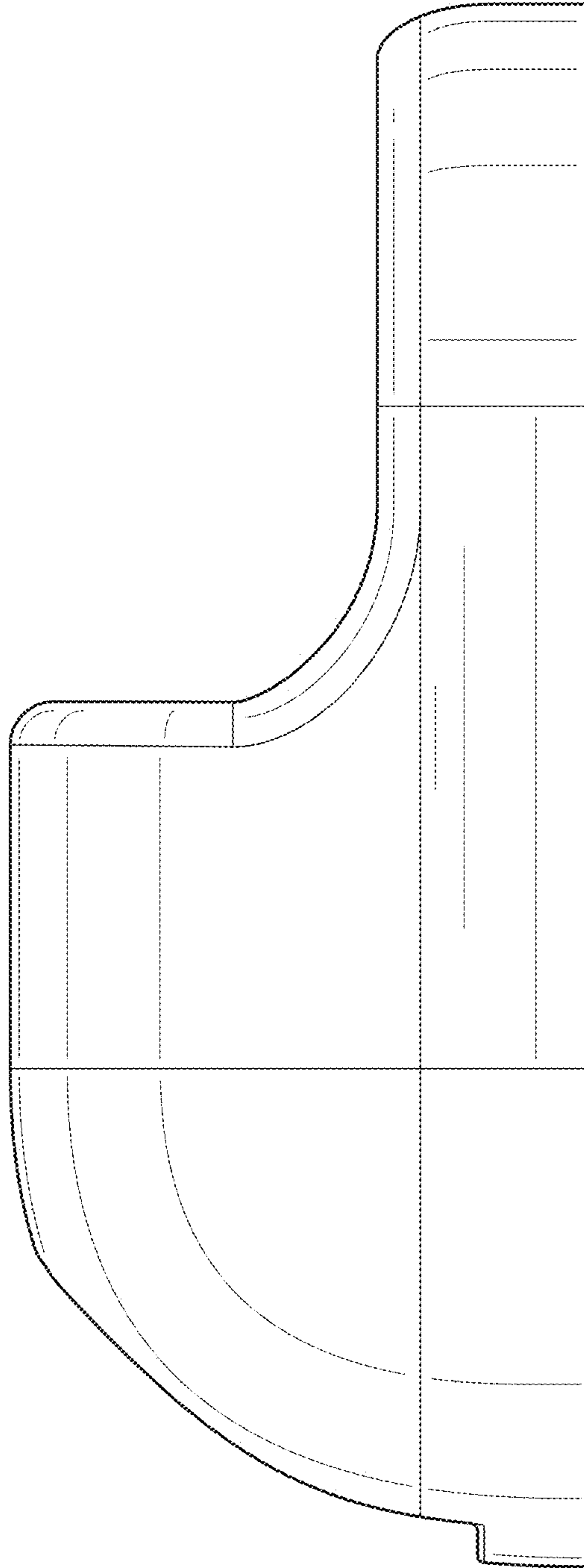


FIG. 5

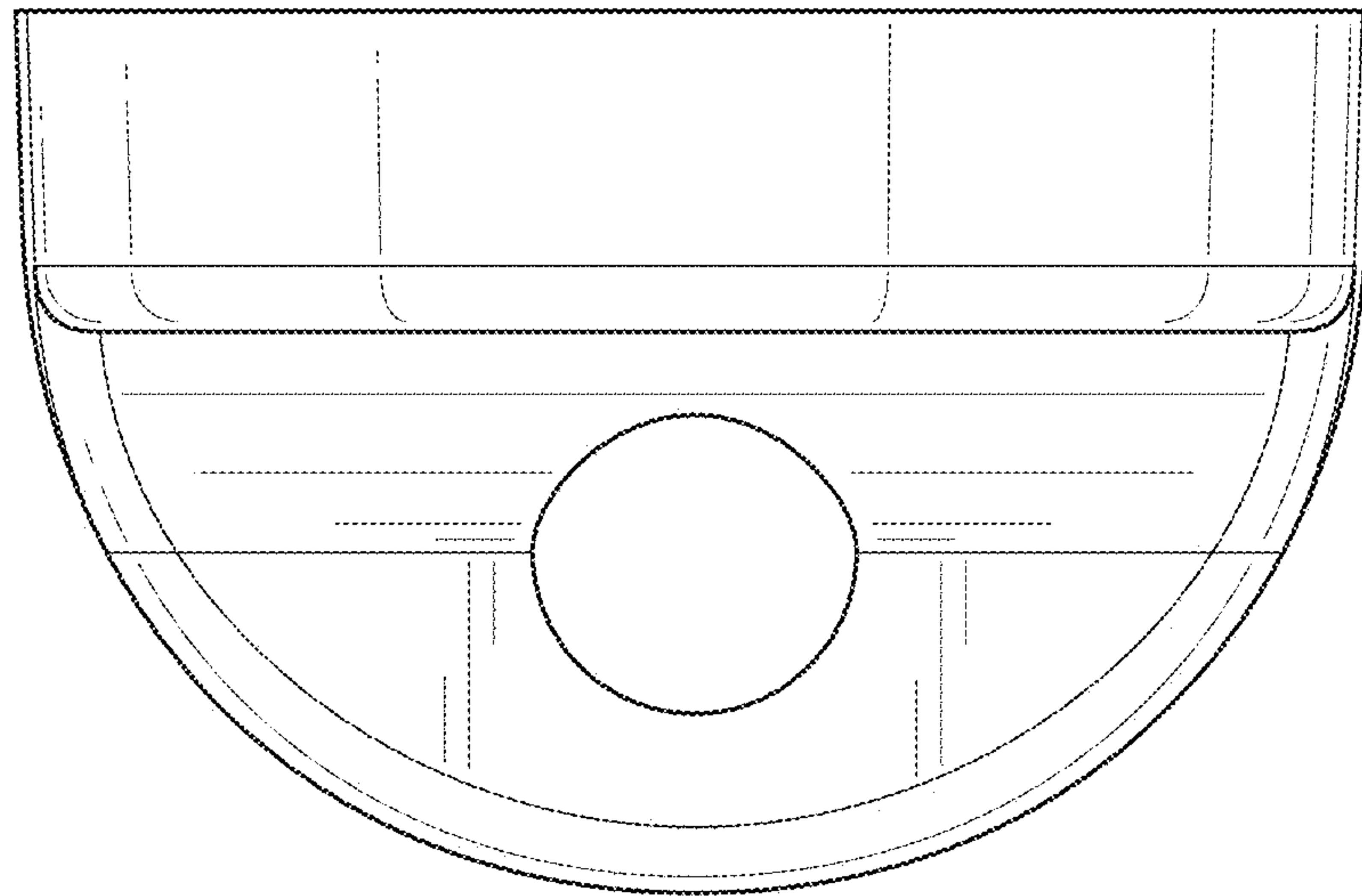


FIG. 6

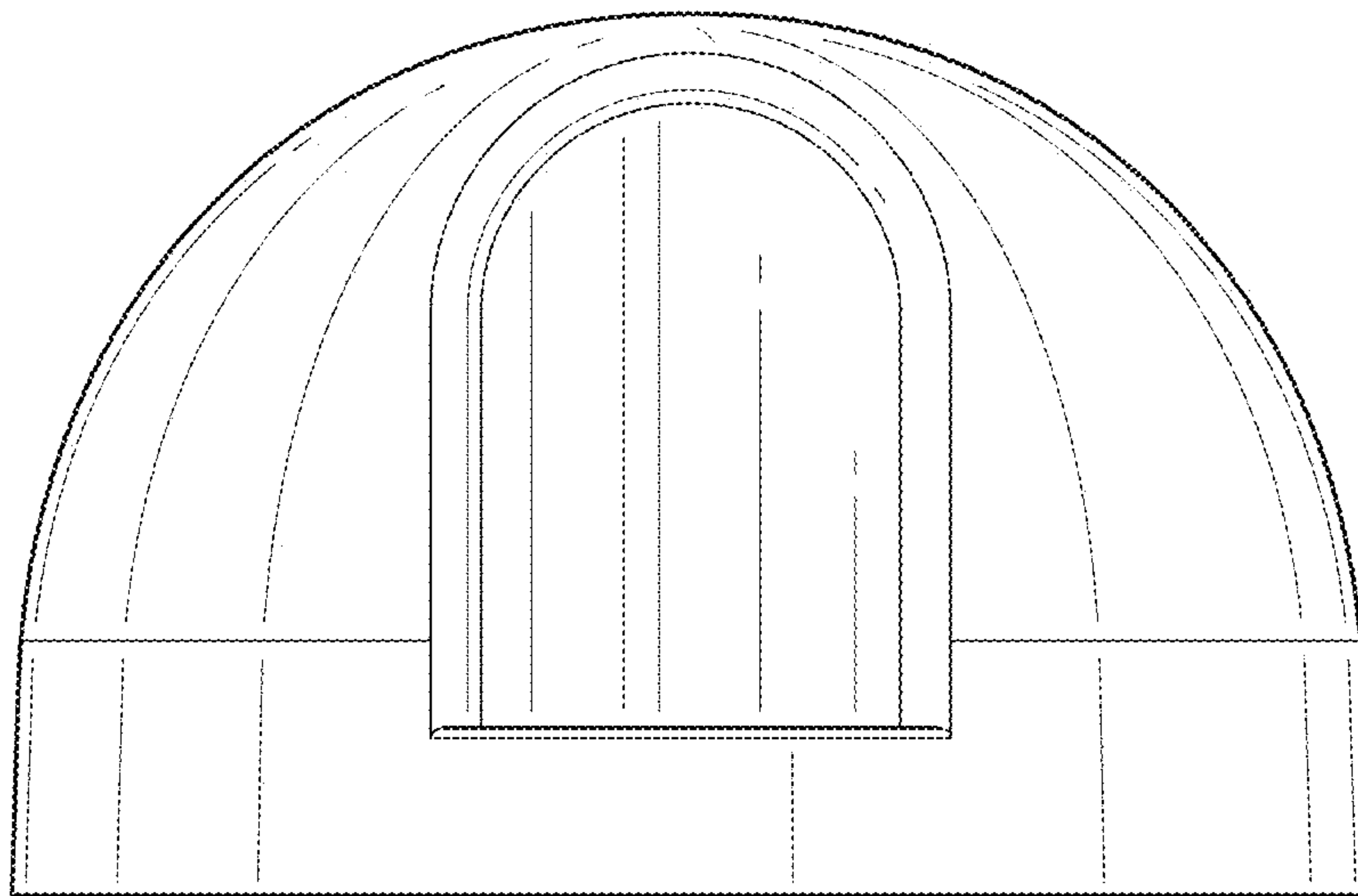


FIG. 7