



US00D936451S

(12) **United States Design Patent**
Marsden

(10) **Patent No.:** **US D936,451 S**

(45) **Date of Patent:** **** Nov. 23, 2021**

(54) **GATE HINGE**
(71) Applicant: **Elbee Pty Ltd.**, Bondi Junction (AU)
(72) Inventor: **Andrew Marsden**, Hingham, MA (US)
(73) Assignee: **Elbee Pty Ltd.**, Bondi Junction (AU)
(**) Term: **15 Years**

(21) Appl. No.: **29/722,650**

(22) Filed: **Jan. 31, 2020**

(51) **LOC (13) Cl.** **08-06**

(52) **U.S. Cl.**
USPC **D8/323**

(58) **Field of Classification Search**
USPC D8/323, 327, 328, 329; 16/250, 251
CPC .. E05D 1/00; E05D 11/06; E05D 5/11; E05D
3/02; E05D 1/02; E05D 11/082; E05D
5/12; A47K 13/12
See application file for complete search history.

(56) **References Cited**

U.S. PATENT DOCUMENTS

D30,721 S *	5/1899	Decker	D8/323
D293,003 S *	12/1987	Larkin	D12/217
D498,136 S *	11/2004	Parker	D8/323
D563,199 S *	3/2008	Liao	D8/323
D627,690 S *	11/2010	Madden	D12/126
D639,634 S *	6/2011	Arai	D8/323
D652,286 S *	1/2012	Mair	D8/356
D661,174 S *	6/2012	Ogawa	D8/323
8,254,103 B2 *	8/2012	Park	G06F 1/1681 361/679.27
8,477,505 B2 *	7/2013	Samuels	G06F 1/1632 361/728
D705,640 S *	5/2014	Wiese	D8/323
D719,811 S *	12/2014	Cooper	D8/323
D777,554 S *	1/2017	Elbaz	D8/323

D782,273 S *	3/2017	Cramer-Kelly	D8/323
D789,767 S *	6/2017	Lu	D8/323
D829,530 S *	10/2018	Johnston	D8/323
D834,915 S *	12/2018	Boyce	A63B 67/06 D8/323
10,626,651 B2 *	4/2020	Chang	E05F 3/20
D890,748 S *	7/2020	Lin	D14/327
D908,458 S *	1/2021	Sigurdsson	D8/323
10,890,023 B2 *	1/2021	Mccafferty	E05D 7/14
10,951,971 B2 *	3/2021	Geng	H02J 7/00034
2004/0137970 A1 *	7/2004	Han	H04M 1/0216 455/575.3
2008/0295286 A1 *	12/2008	Falato	E05D 11/0054 16/250
2014/0007506 A1	1/2014	Huang		

* cited by examiner

Primary Examiner — Cynthia R Underwood

(74) *Attorney, Agent, or Firm* — Wolf, Greenfield & Sacks, P.C.

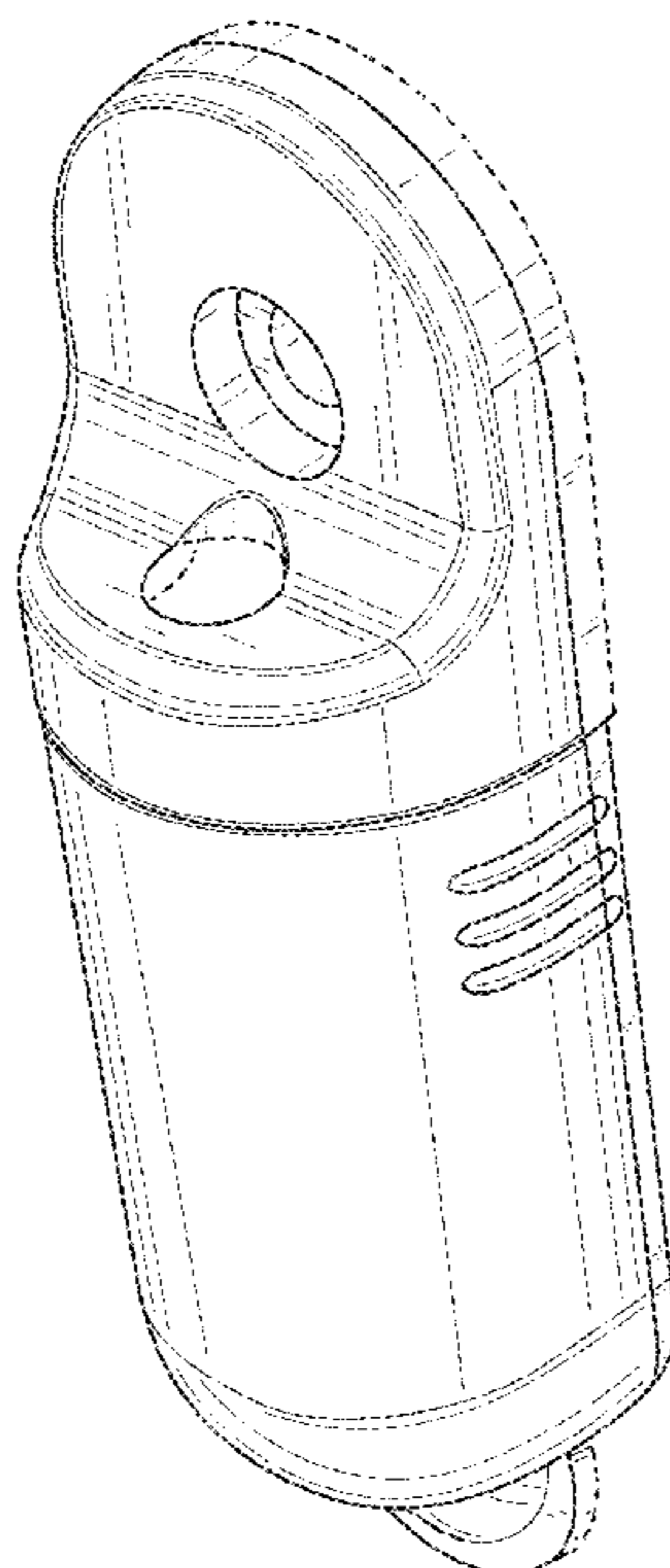
(57) **CLAIM**

The ornamental design for a gate hinge, as shown and described.

DESCRIPTION

FIG. 1 is a top, front, and right side perspective view of a gate hinge according to my new design, the top, front, and left side perspective view being a mirror image thereof; FIG. 2 is a front elevation view thereof; FIG. 3 is a rear elevation view thereof; FIG. 4 is a left side elevation view thereof; FIG. 5 is a right side elevation view thereof; FIG. 6 is a top plan view thereof; and, FIG. 7 is a bottom plan view thereof. The broken lines depict portions of the gate hinge that form no part of the claimed design.

1 Claim, 7 Drawing Sheets



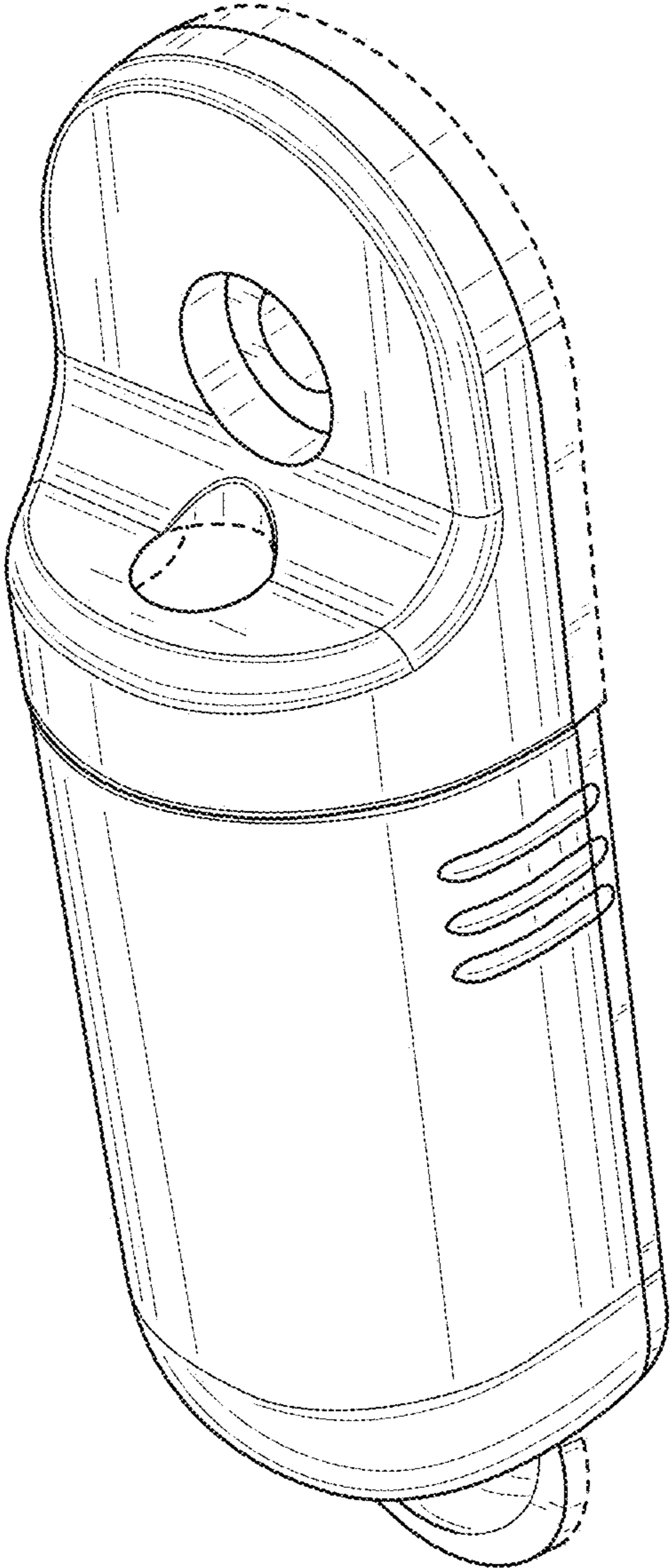


FIG. 1

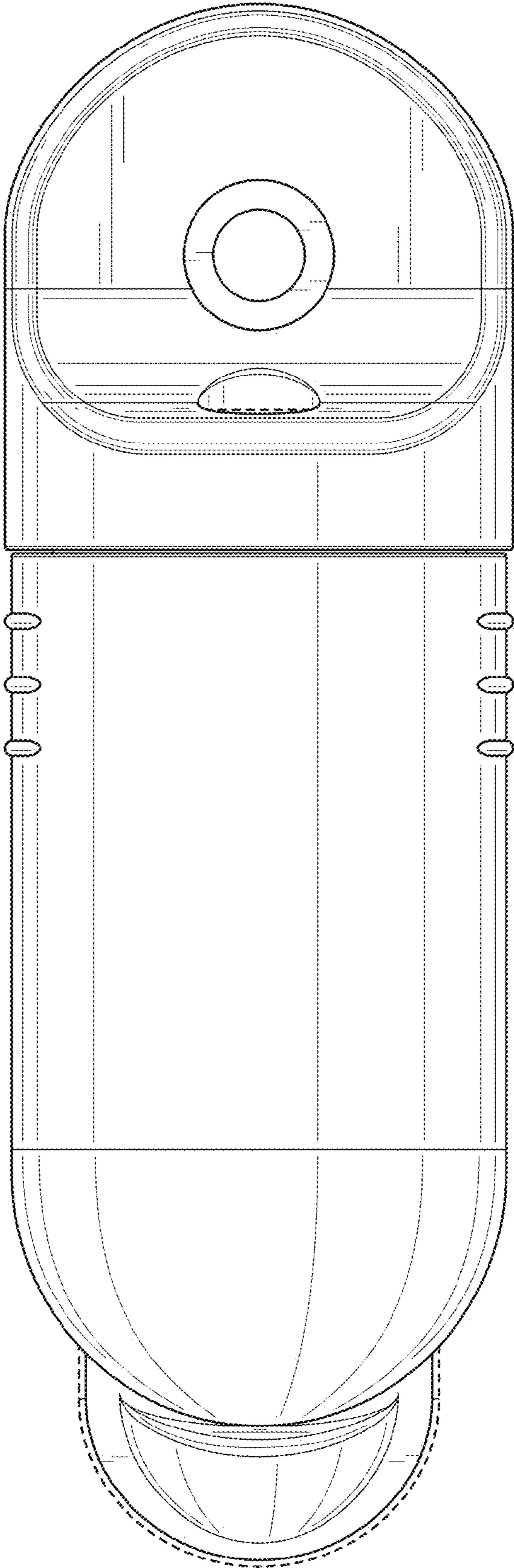


FIG. 2

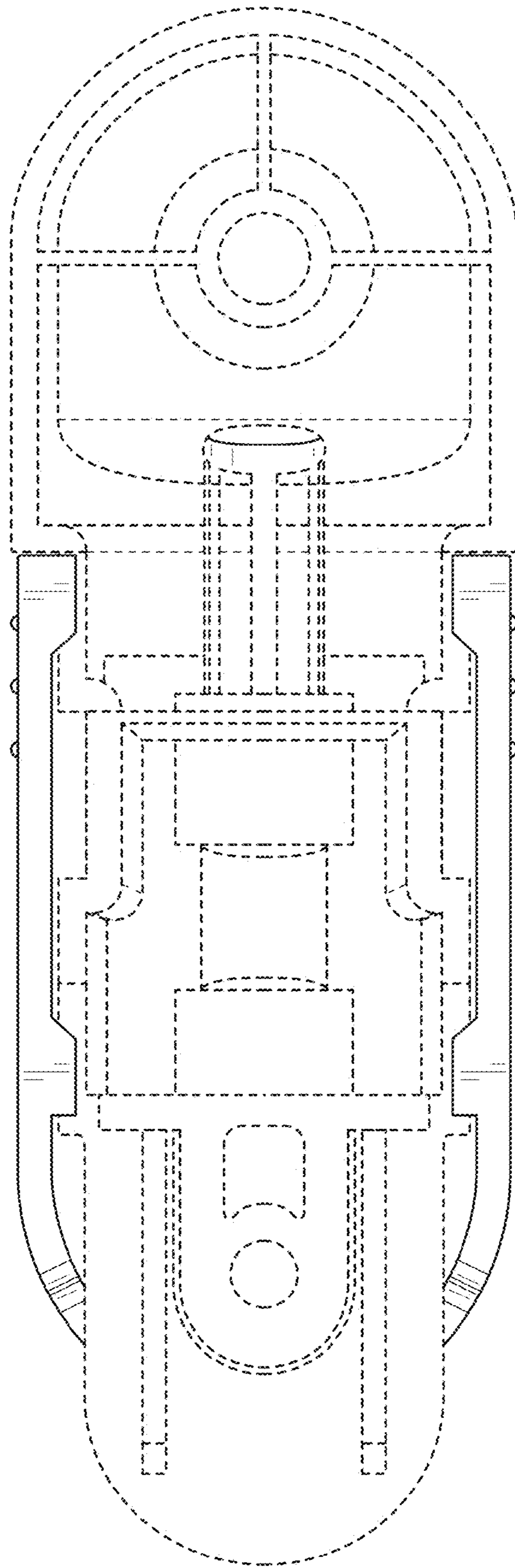


FIG. 3

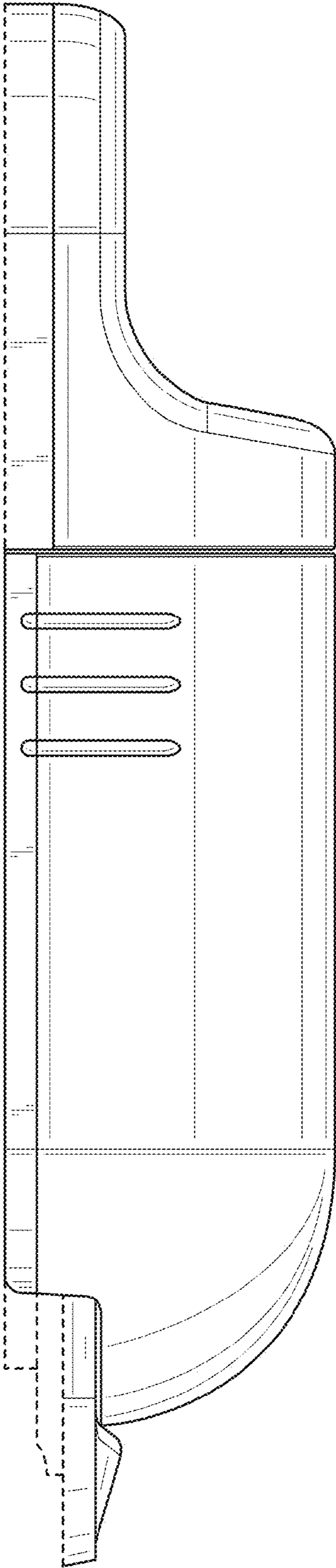


FIG. 4

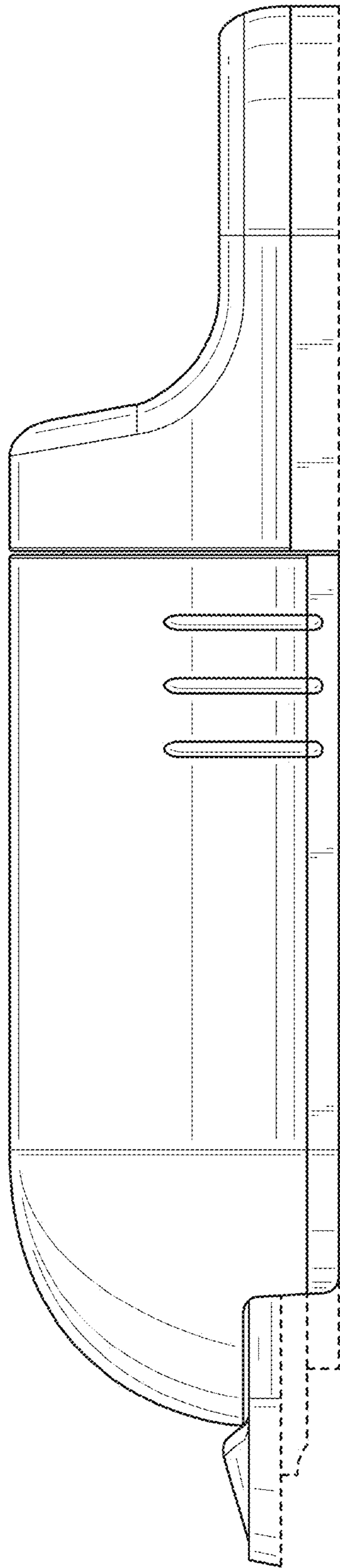


FIG. 5

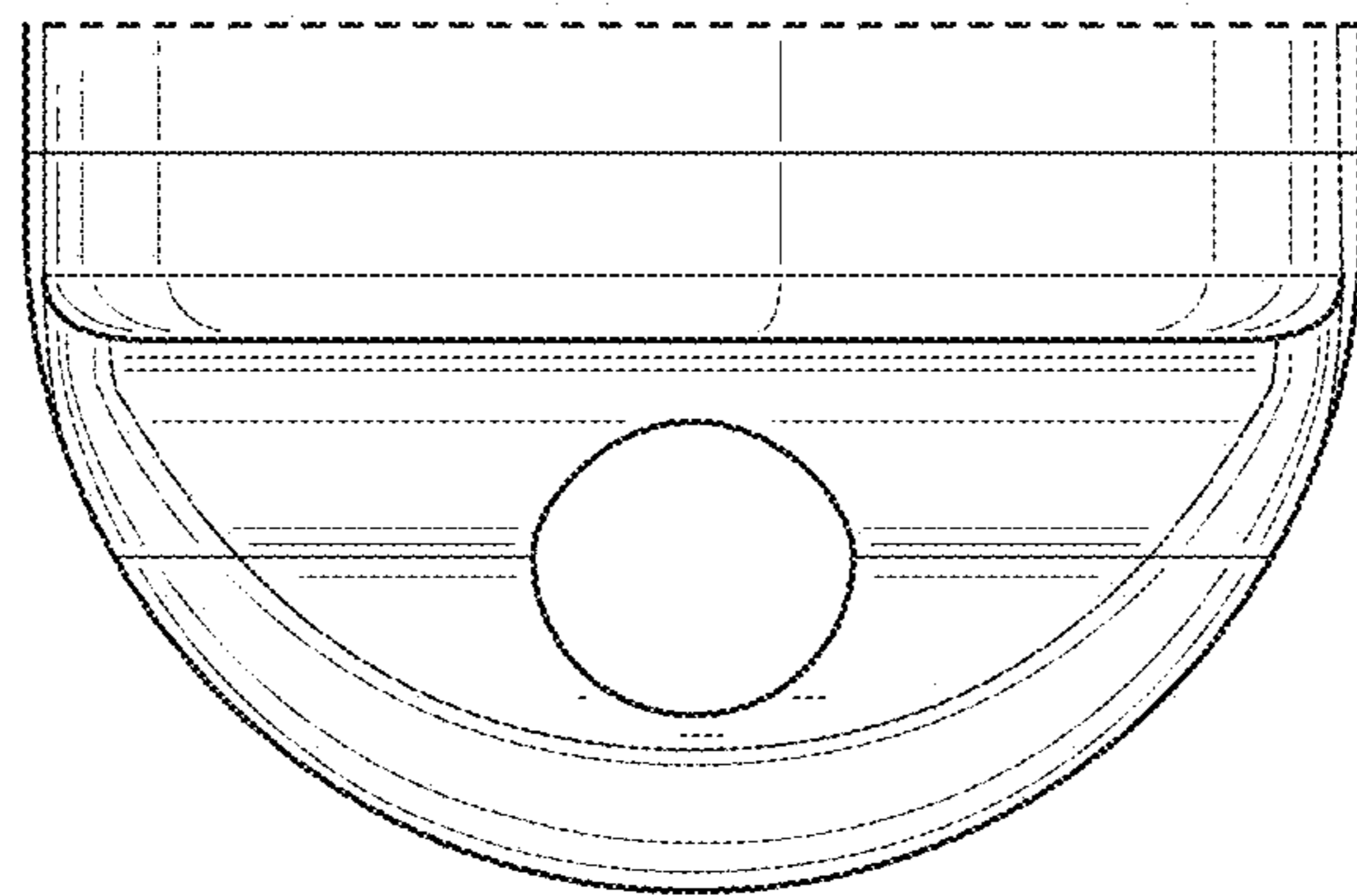


FIG.6

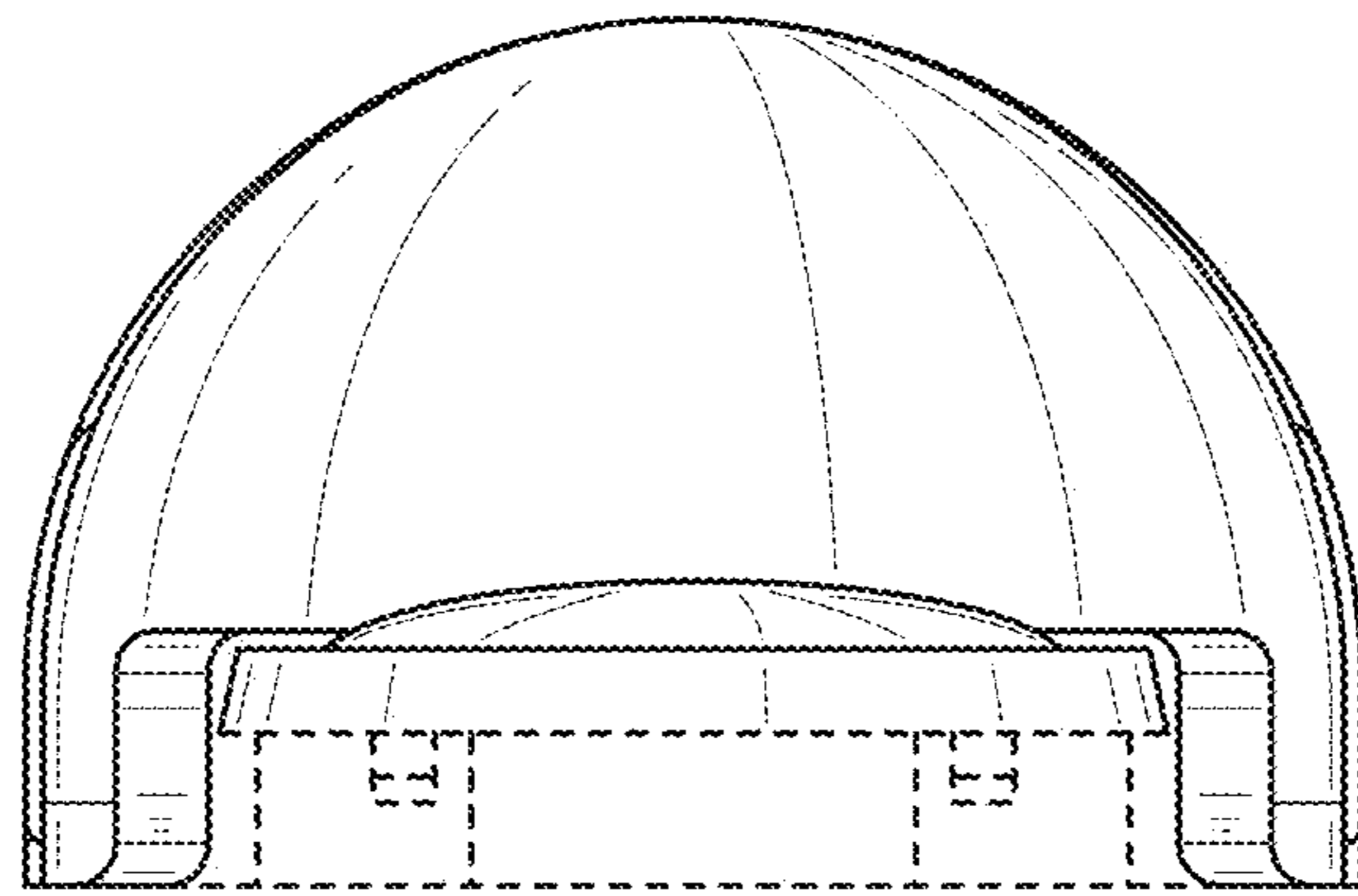


FIG. 7