



US00D936450S

(12) **United States Design Patent**
Bertolotto

(10) **Patent No.:** **US D936,450 S**
(45) **Date of Patent:** **** Nov. 23, 2021**

(54) **HINGE FOR A DOOR COMPRISED OF TWO PARTS**

(71) Applicant: **Claudio Bertolotto**, Barge (IT)

(72) Inventor: **Claudio Bertolotto**, Barge (IT)

(**) Term: **15 Years**

(21) Appl. No.: **29/722,486**

(22) Filed: **Jan. 30, 2020**

(30) **Foreign Application Priority Data**

Jul. 30, 2019 (EM) 006654430
Aug. 23, 2019 (EM) 006761615

(51) **LOC (13) Cl.** **08-06**

(52) **U.S. Cl.**
USPC **D8/323**

(58) **Field of Classification Search**
USPC D8/323; 292/264; 16/250, 251;
248/213
CPC B64G 1/222; E05D 1/02; E05D 11/082;
E05D 5/12
See application file for complete search history.

(56) **References Cited**

U.S. PATENT DOCUMENTS

D371,951 S * 7/1996 Rabo D8/323
D718,607 S * 12/2014 Thrush D8/323
D748,966 S * 2/2016 Morinaga D8/323
10,184,280 B2 * 1/2019 Rahman E05D 3/02
D858,251 S * 9/2019 van Cronenburg D8/323
11,054,866 B2 * 7/2021 Lin F16C 11/04

* cited by examiner

Primary Examiner — Cynthia R Underwood
(74) *Attorney, Agent, or Firm* — Ohlandt, Greeley,
Ruggiero and Perle, LLP

(57) **CLAIM**

The ornamental design for a hinge for a door comprised of two parts, as shown and described.

DESCRIPTION

FIG. 1 is a perspective view of a first embodiment of a hinge for a door comprised of two parts, according to the present invention, showing one part separated from the other; FIG. 2 is a front side elevational view of FIG. 1; FIG. 3 is a side elevational view of FIG. 1; FIG. 4 is a rear side elevational view of FIG. 1; FIG. 5 is a side elevational view of FIG. 1 rotated 180 degrees from FIG. 3; FIG. 6 is a top plan view of FIG. 1; FIG. 7 is a bottom plan view of FIG. 1; FIG. 8 is a perspective view of a second embodiment of a hinge for a door comprised of two parts, according to the present invention, showing one part separated from the other; FIG. 9 is a front side elevational view of FIG. 8; FIG. 10 is a side elevational view of FIG. 8; FIG. 11 is a rear side elevational view of FIG. 8; FIG. 12 is a side elevational view of FIG. 8 rotated 180 degrees from FIG. 10; FIG. 13 is a top plan view of FIG. 8; FIG. 14 is a bottom pion view of FIG. 8; FIG. 15 is a perspective view of the first embodiment of a hinge for a door comprised of two parts according to the present invention, showing a second part separated from the other; FIG. 16 is a top plan view of FIG. 15; FIG. 17 is a side elevational view of FIG. 15; FIG. 18 is a bottom pion view of FIG. 15; FIG. 19 is a side elevational view of FIG. 15 rotated 180 degrees from FIG. 17; FIG. 20 is a rear side elevational view of FIG. 15; FIG. 21 is a front side elevational view of FIG. 15; FIG. 22 is a perspective view of the second embodiment of a hinge for a door comprised of two parts according to the present invention; FIG. 23 is a front side elevational view of FIG. 22; FIG. 24 is a side elevational view of FIG. 22; FIG. 25 is a side elevational view of FIG. rotated 180 degrees from FIG. 24; FIG. 26 is a rear side elevational view of FIG. 22; FIG. 27 is a top plan view of FIG. 22;

(Continued)

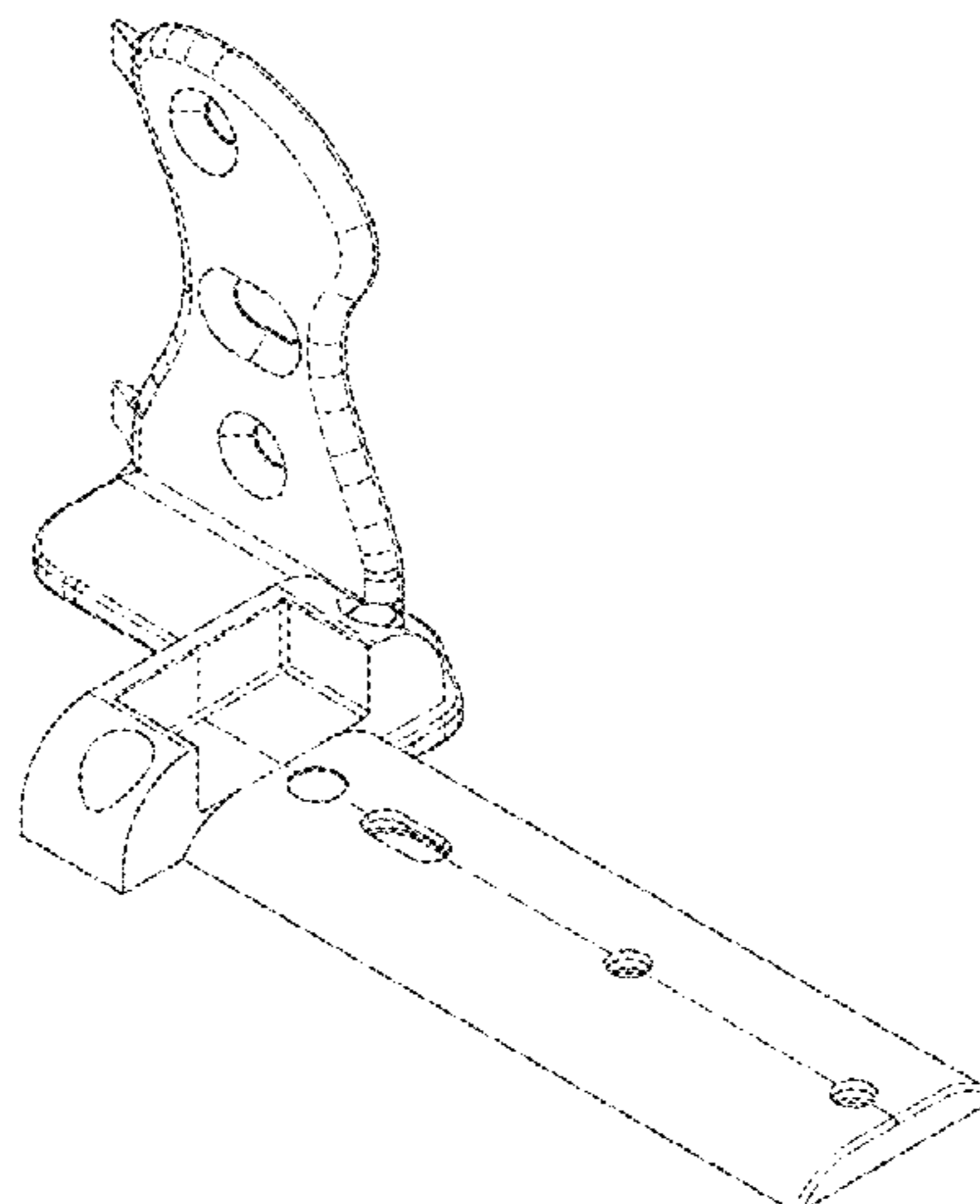


FIG. 28 is a bottom plan view of FIG. 22;
FIG. 29 is a perspective view of the first embodiment of a hinge for a door comprised of two parts according to the present invention;
FIG. 30 is a front side elevational view of FIG. 29;
FIG. 31 is a side elevational view of FIG. 29;
FIG. 32 is a side elevational view of FIG. 29 rotated 180 degrees from FIG. 31;
FIG. 33 is a rear side elevational view of FIG. 29;
FIG. 34 is a top plan view of FIG. 29;
FIG. 35 is a bottom plan view of FIG. 29;
FIG. 36 is a perspective view of the second embodiment of a hinge for a door comprised of two parts according to the present invention, showing a second part separated from the other;
FIG. 37 is a top plan view of FIG. 36;
FIG. 38 is a side elevational view of FIG. 36;
FIG. 39 is a bottom plan view of FIG. 36;
FIG. 40 is a side elevational view of FIG. 36 rotated 180 degrees from FIG. 38;
FIG. 41 is a rear side elevational view of FIG. 36; and,
FIG. 42 is a front side elevational view of FIG. 36.

1 Claim, 42 Drawing Sheets

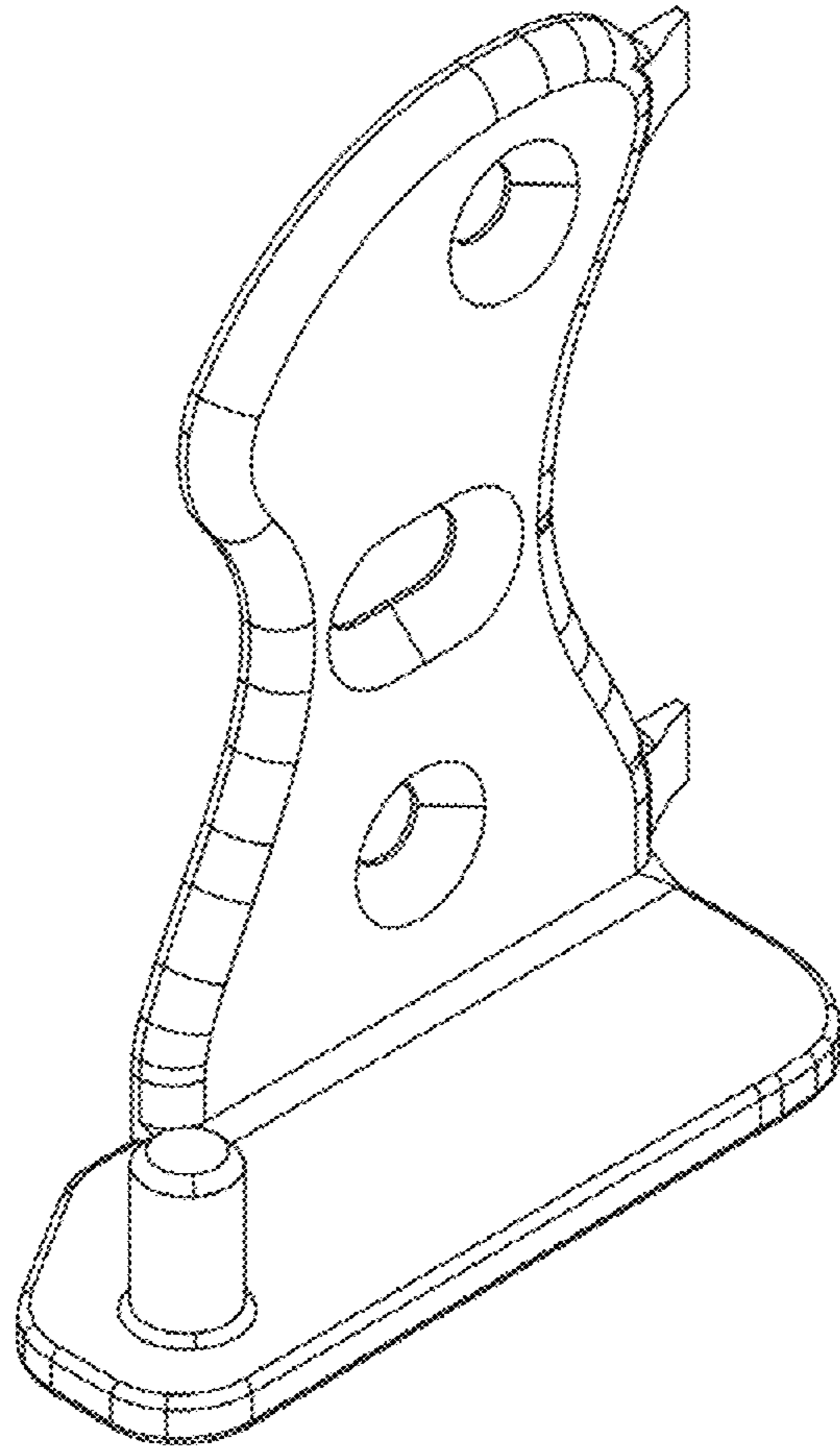


FIG. 1

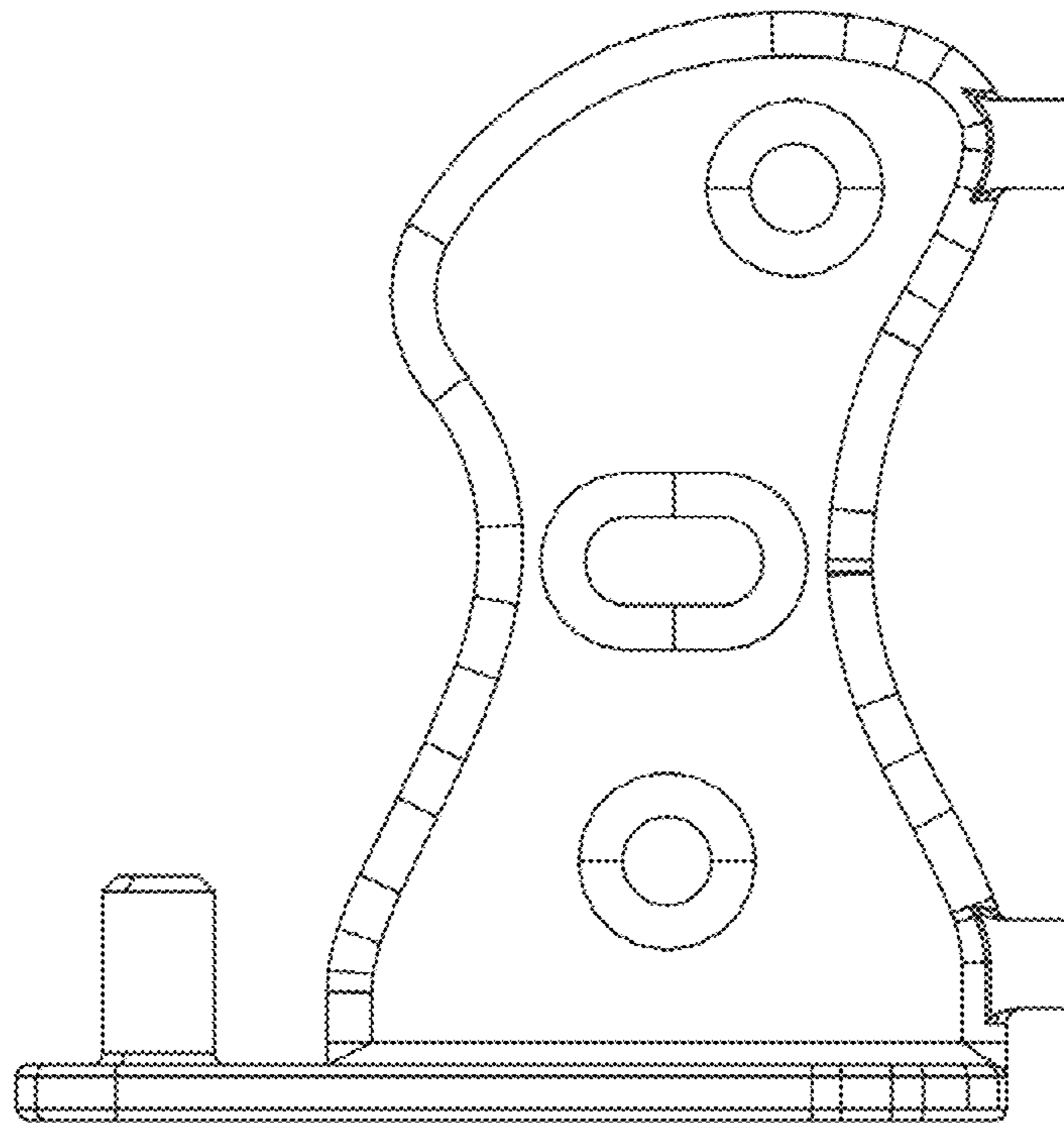


FIG. 2

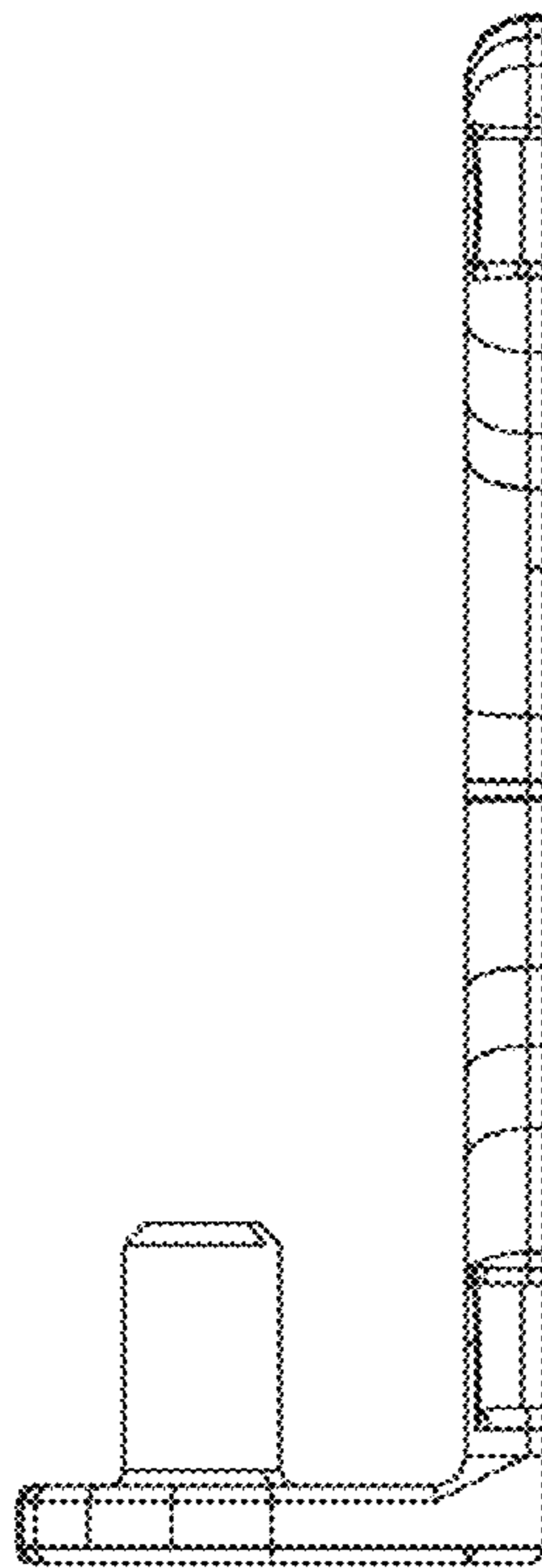


FIG. 3

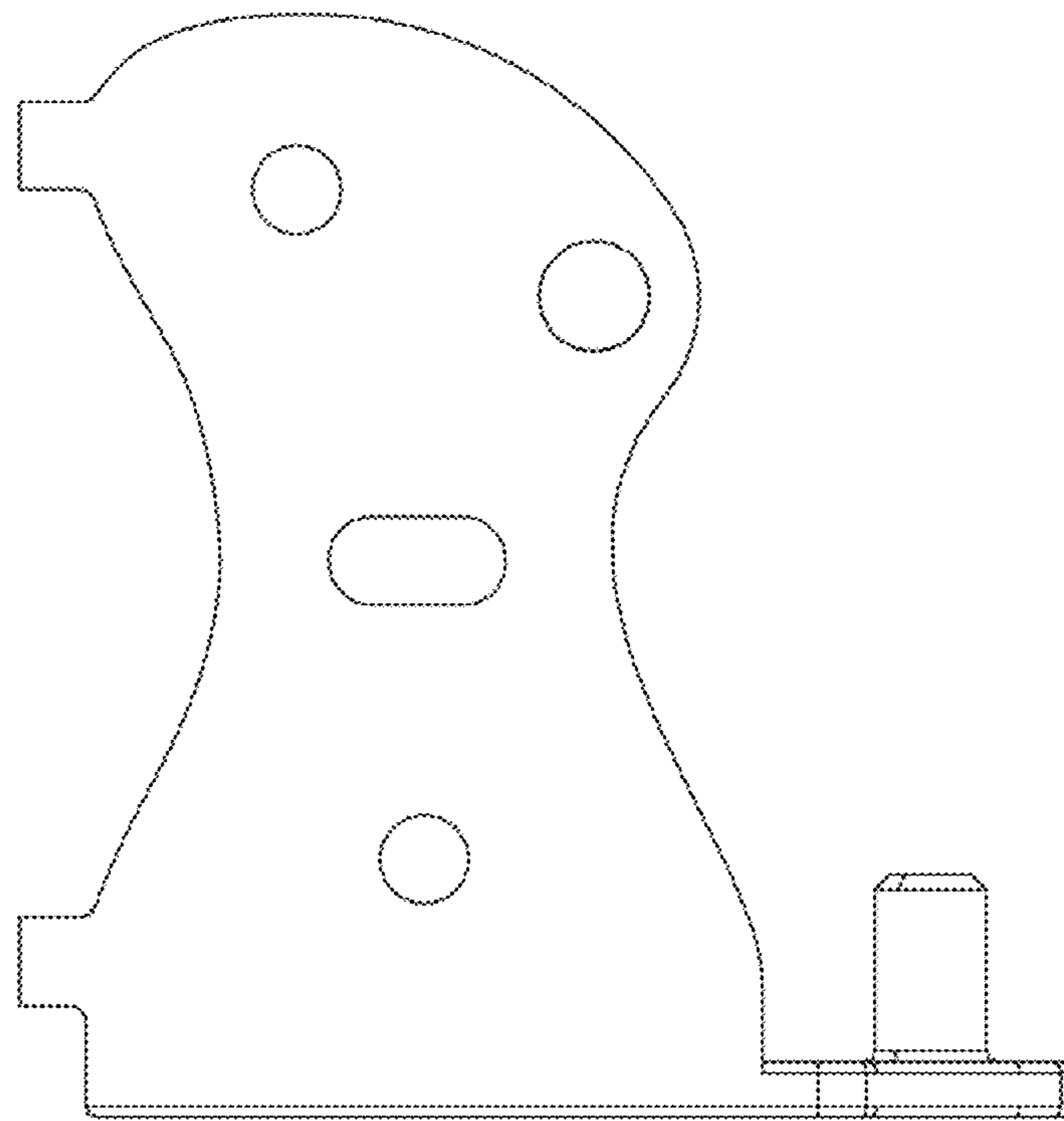


FIG. 4

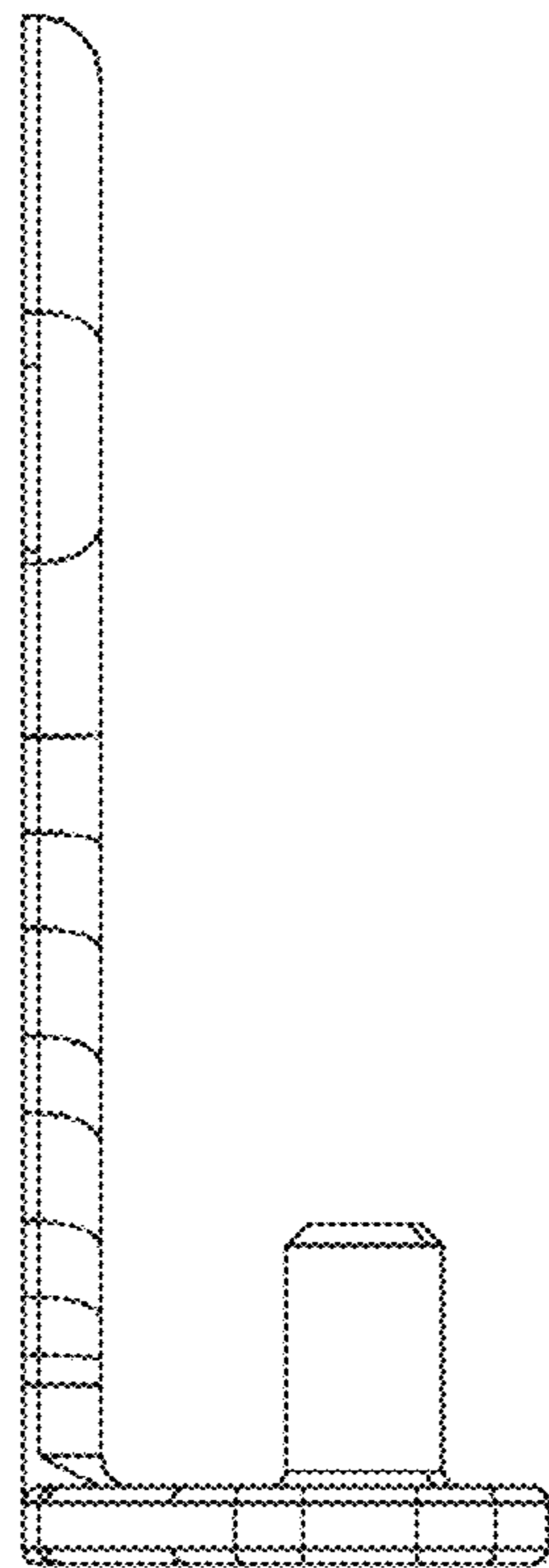


FIG. 5

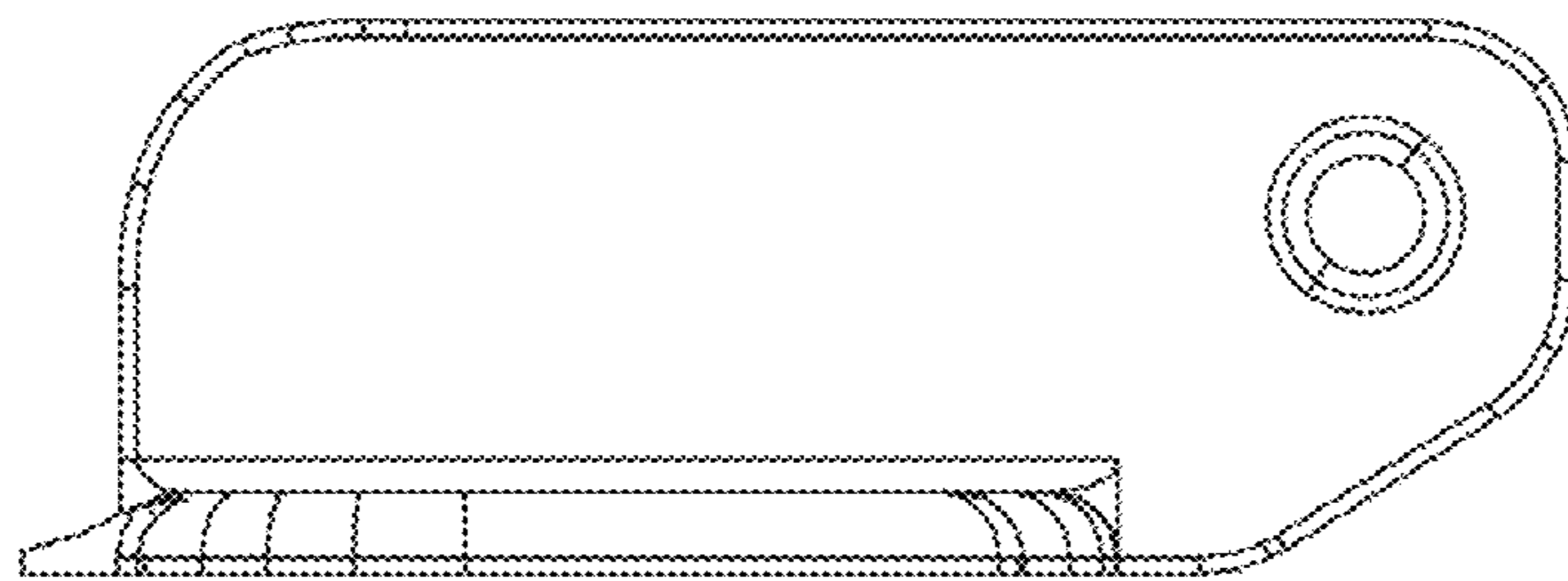


FIG. 6



FIG. 7

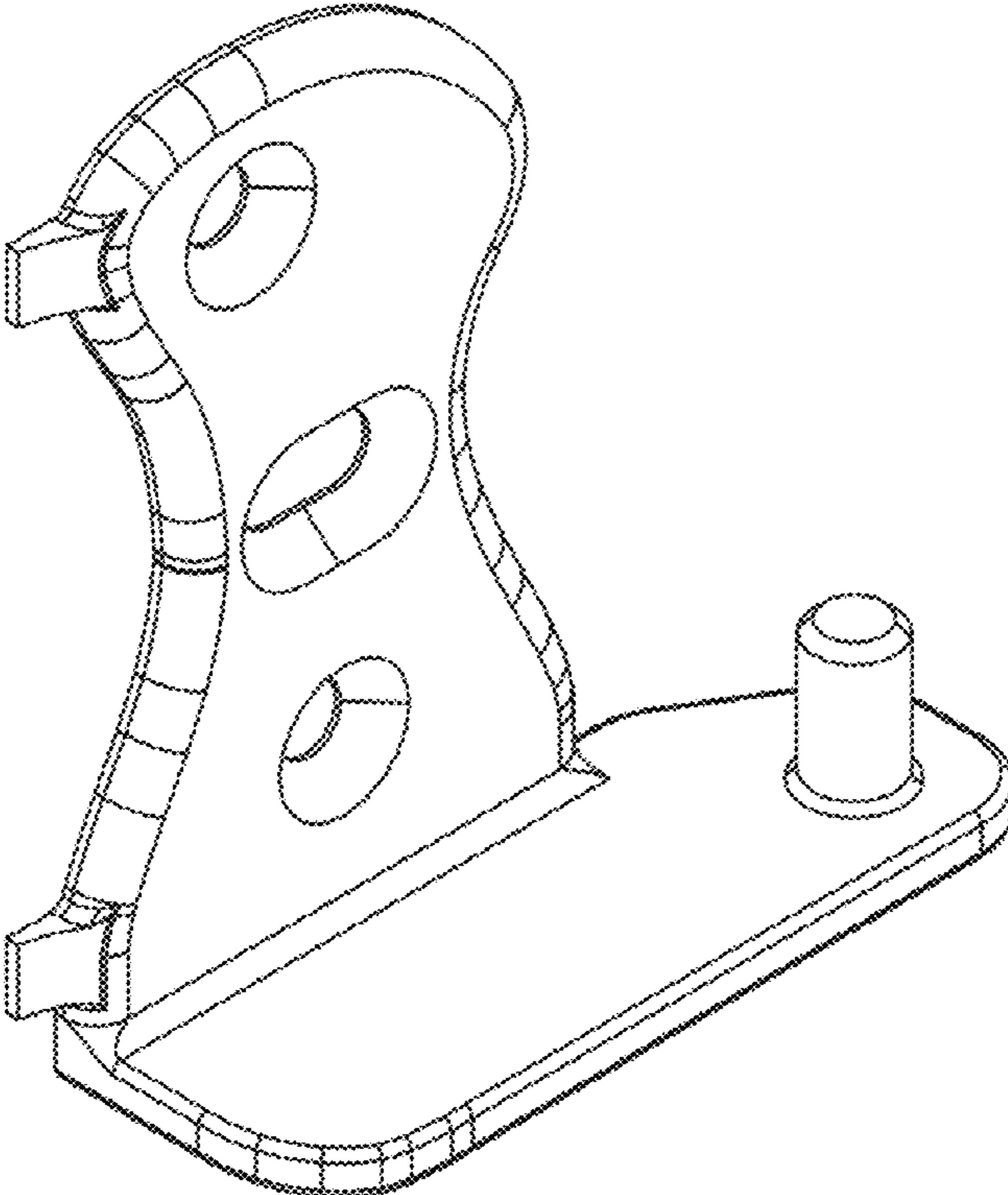


FIG. 8

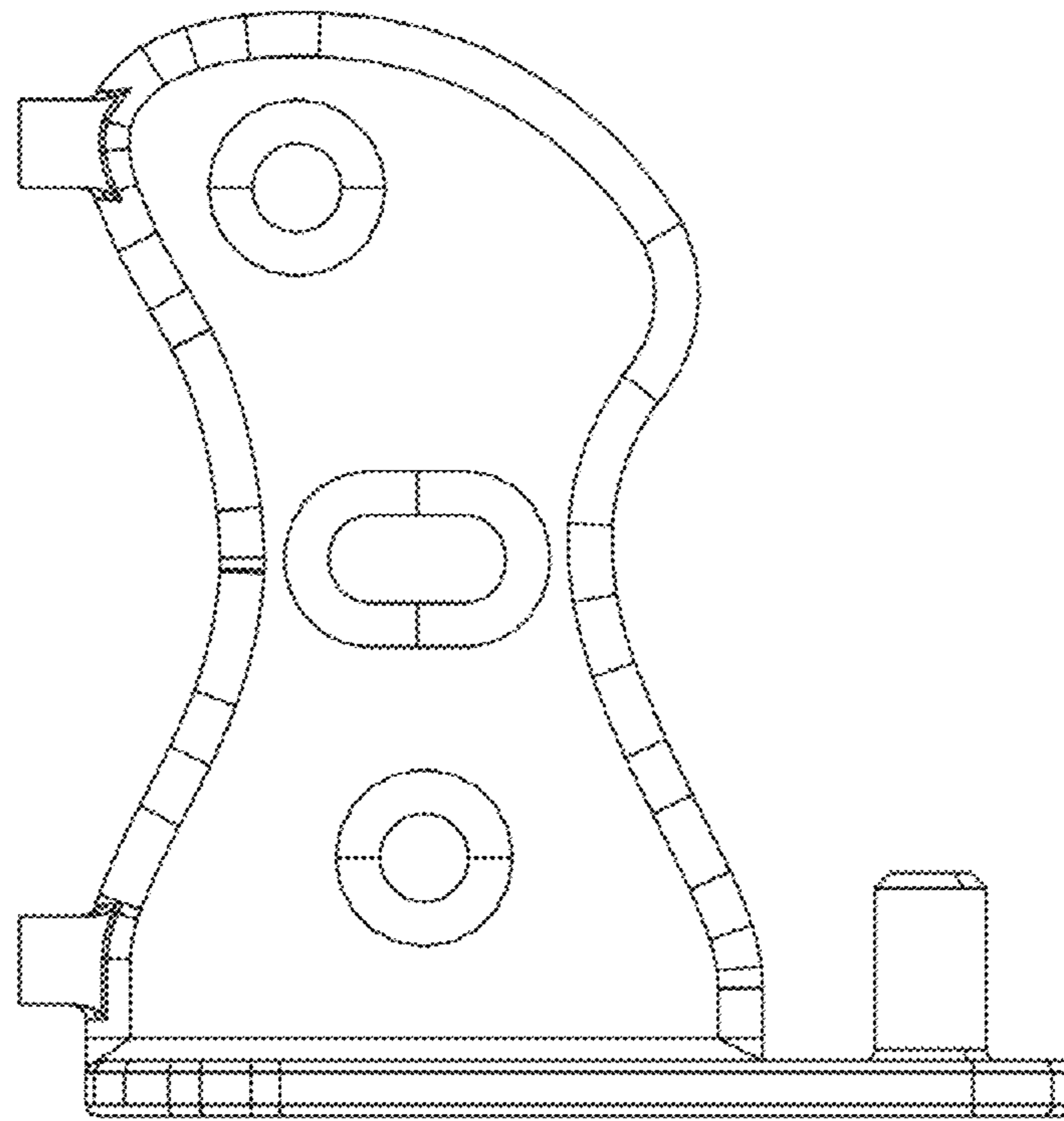


FIG. 9

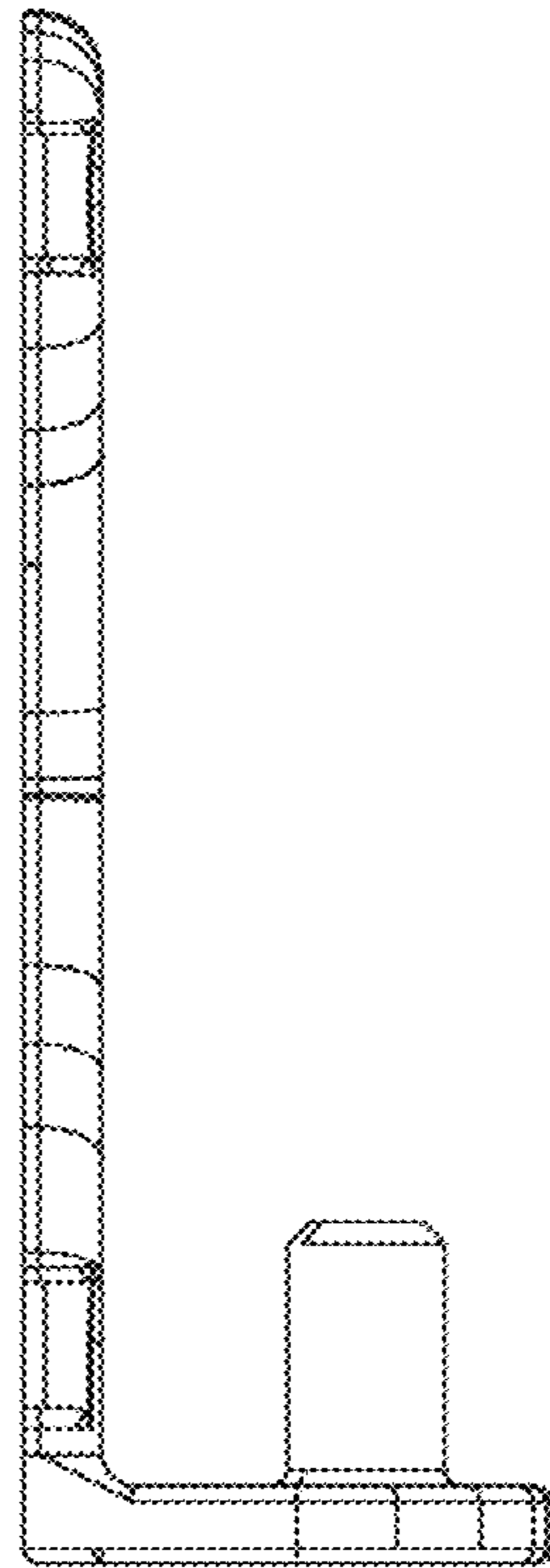


FIG. 10

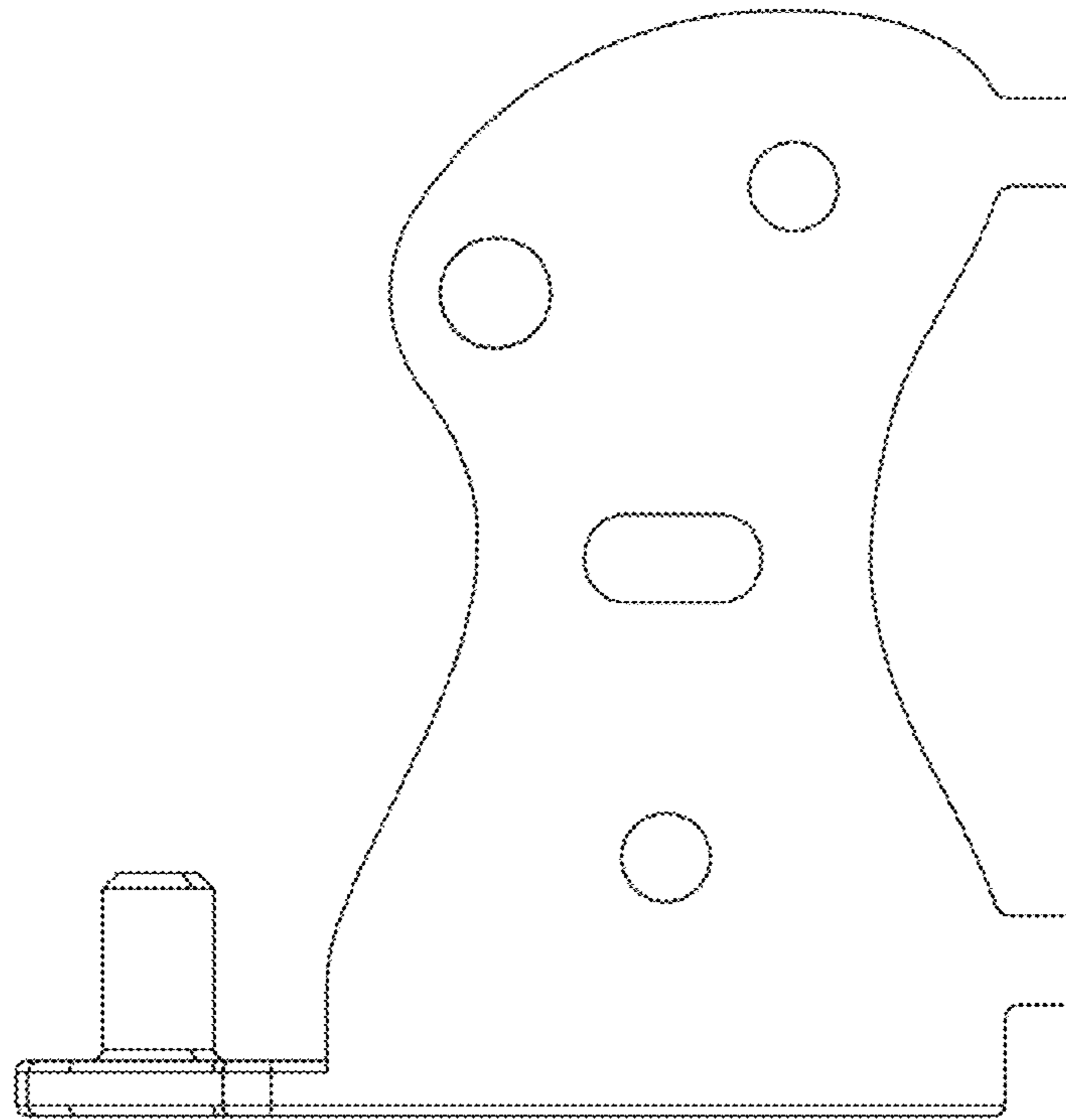


FIG. 11

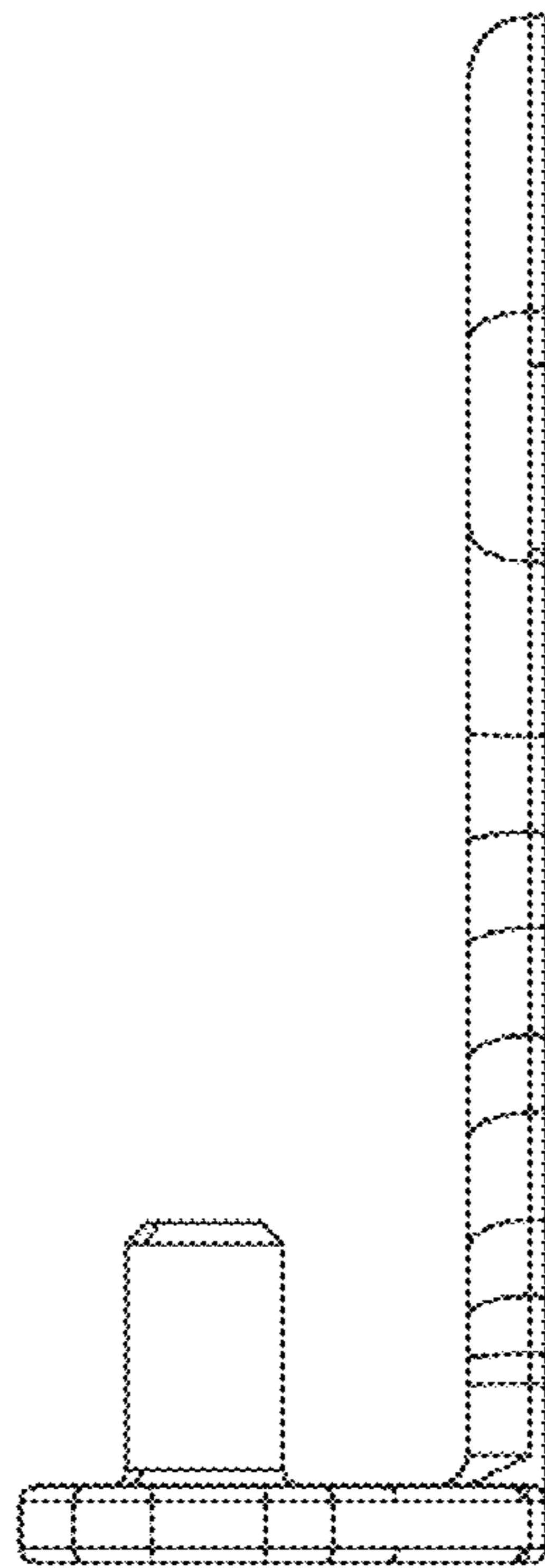


FIG. 12

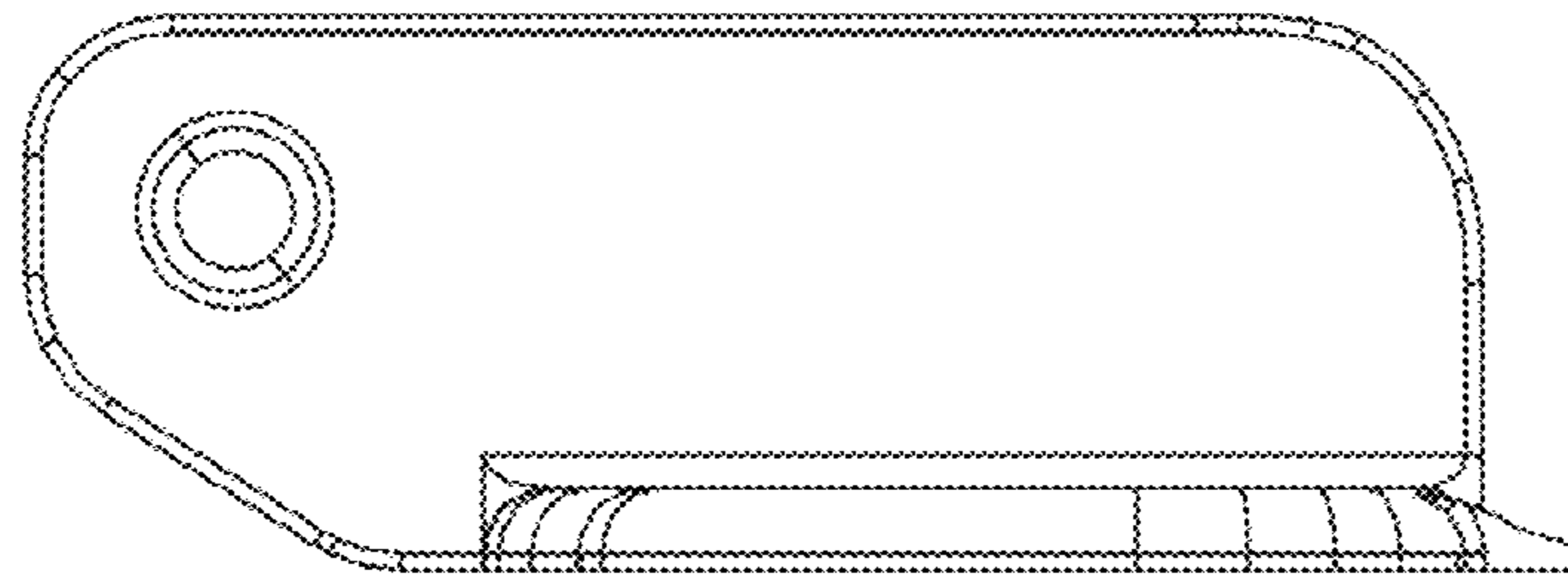


FIG. 13



FIG. 14

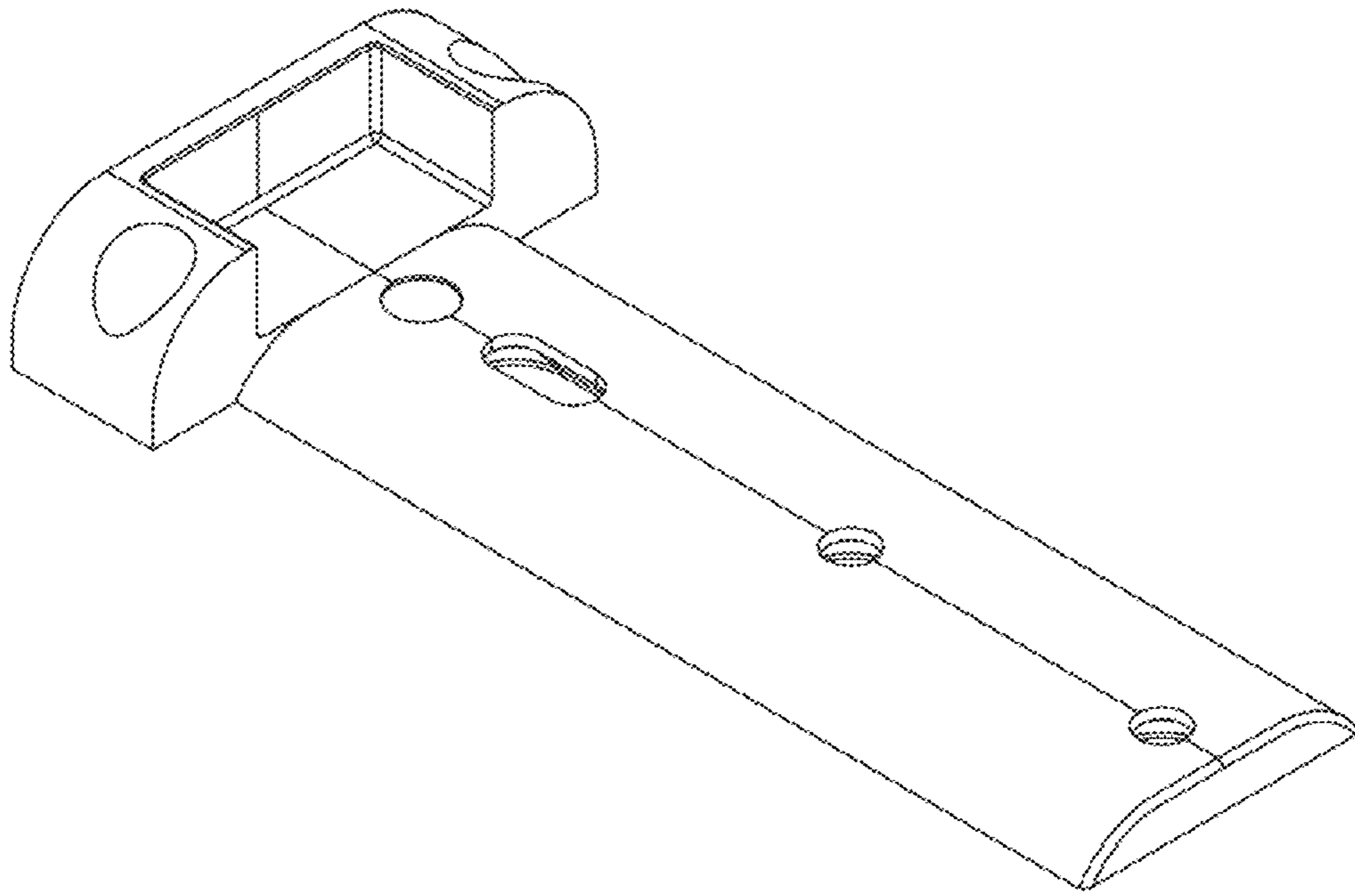


FIG. 15

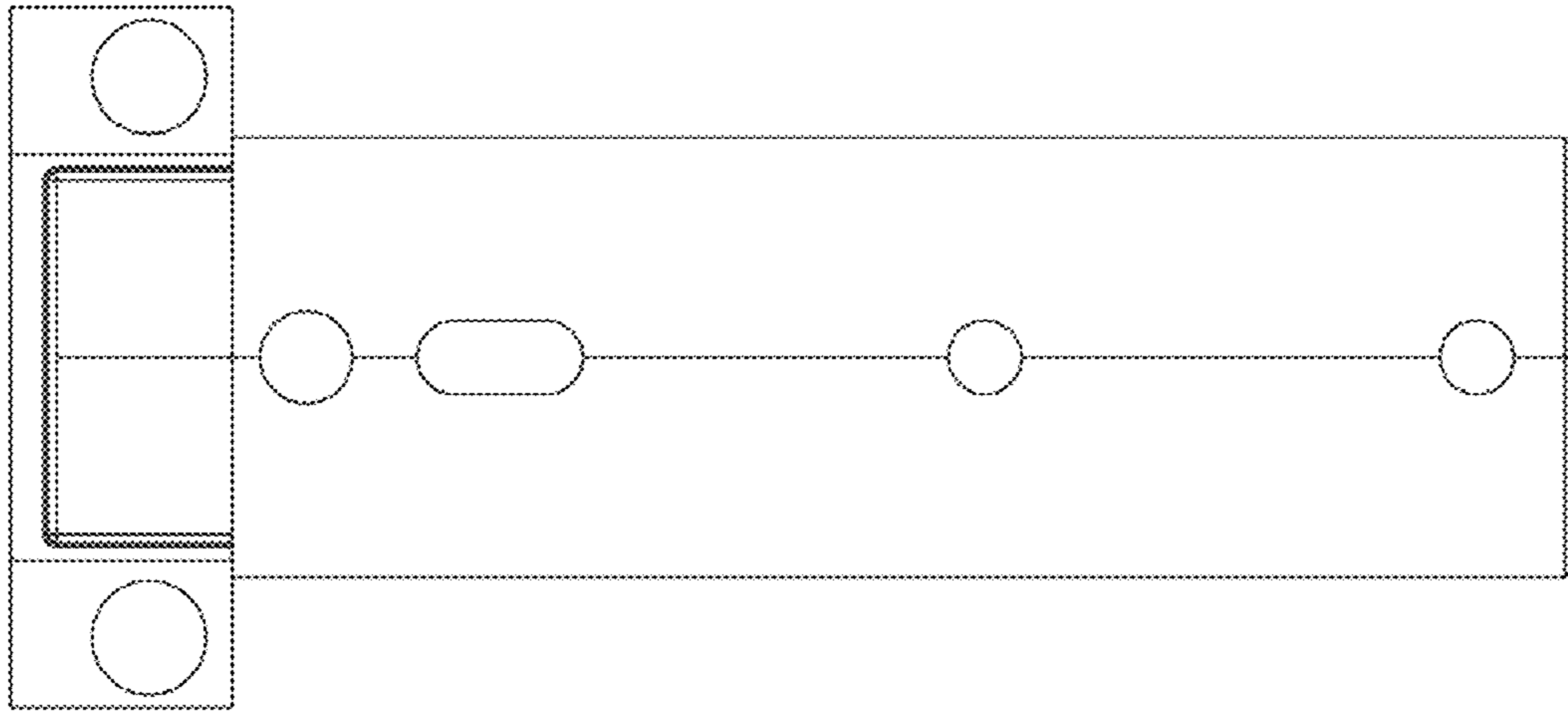


FIG. 16

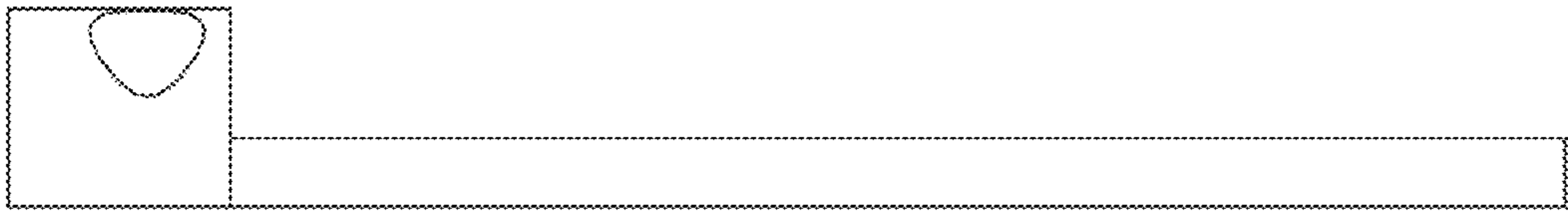


FIG. 17

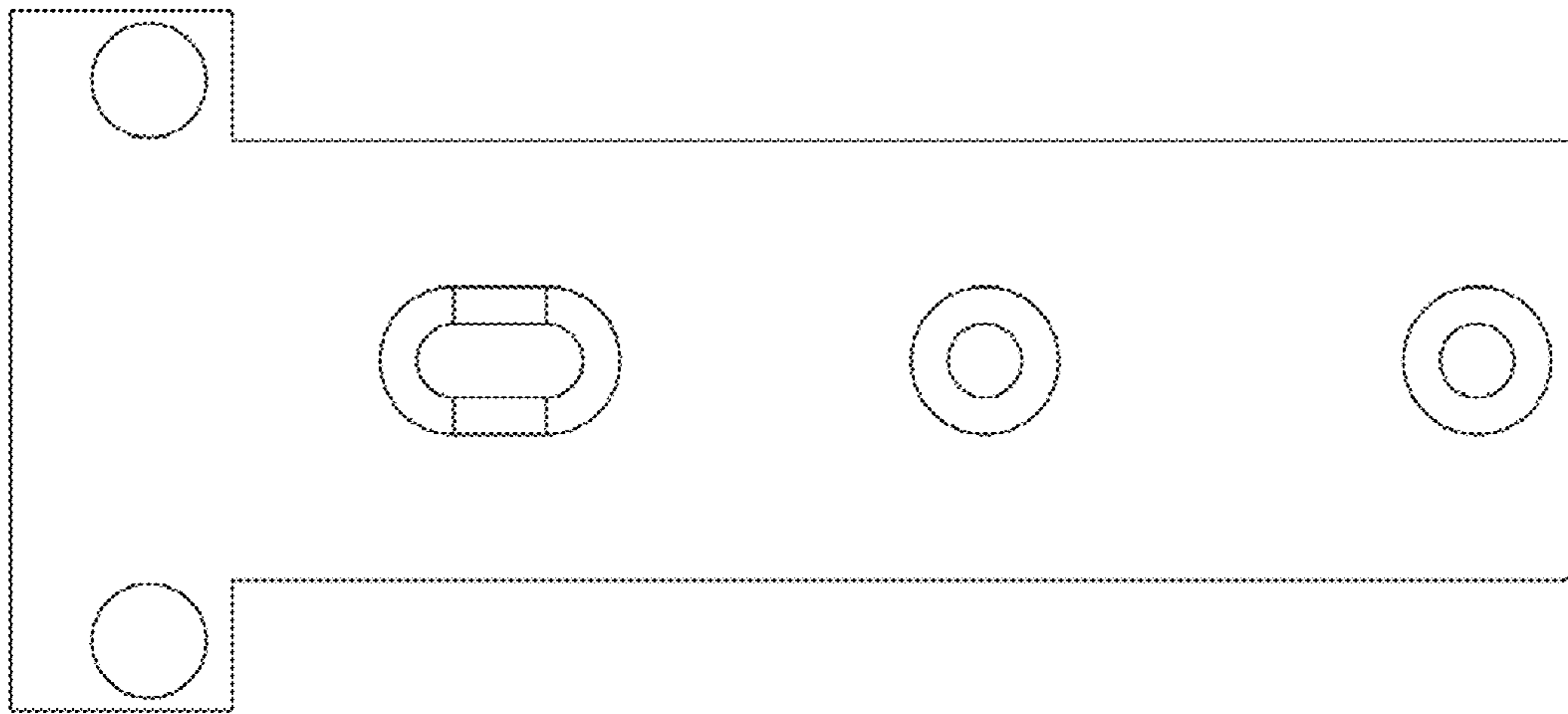


FIG. 18

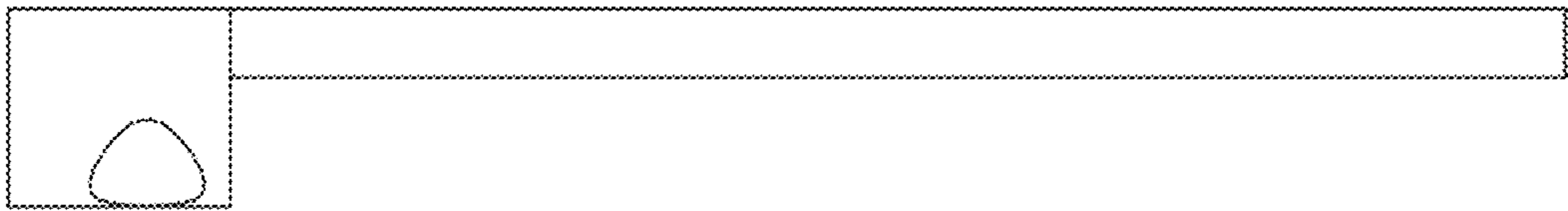


FIG. 19

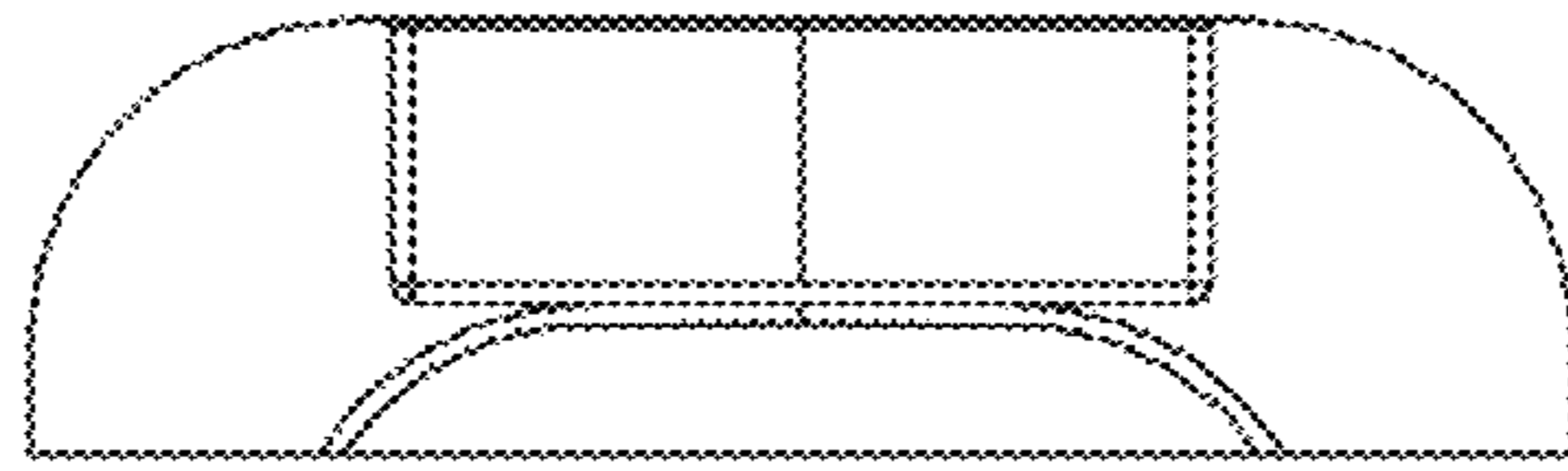


FIG. 20

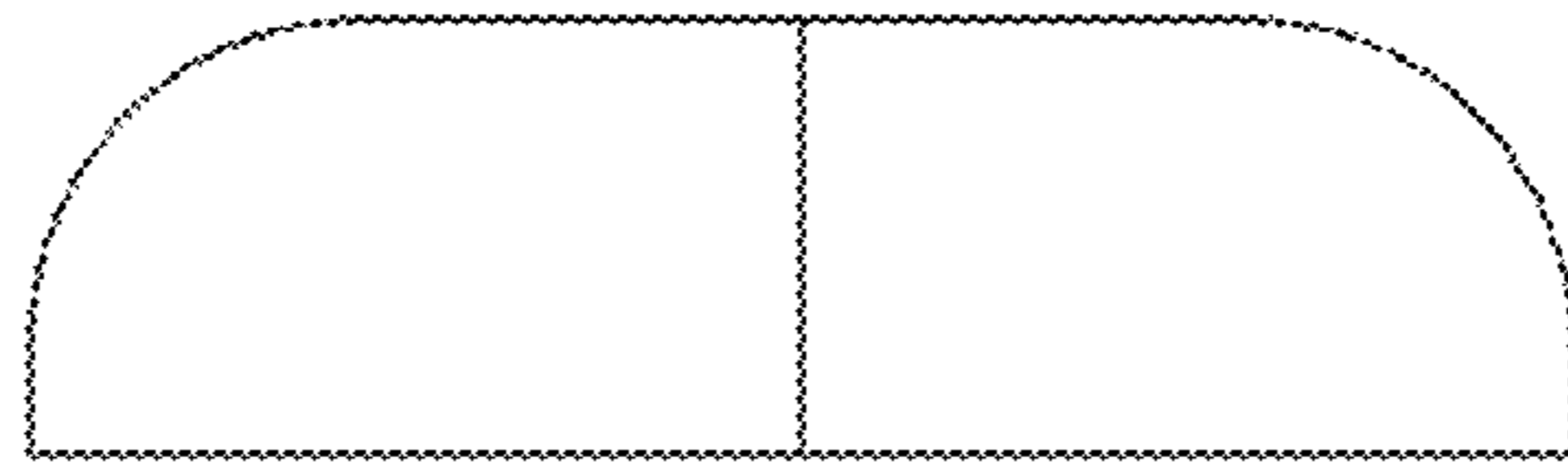


FIG. 21

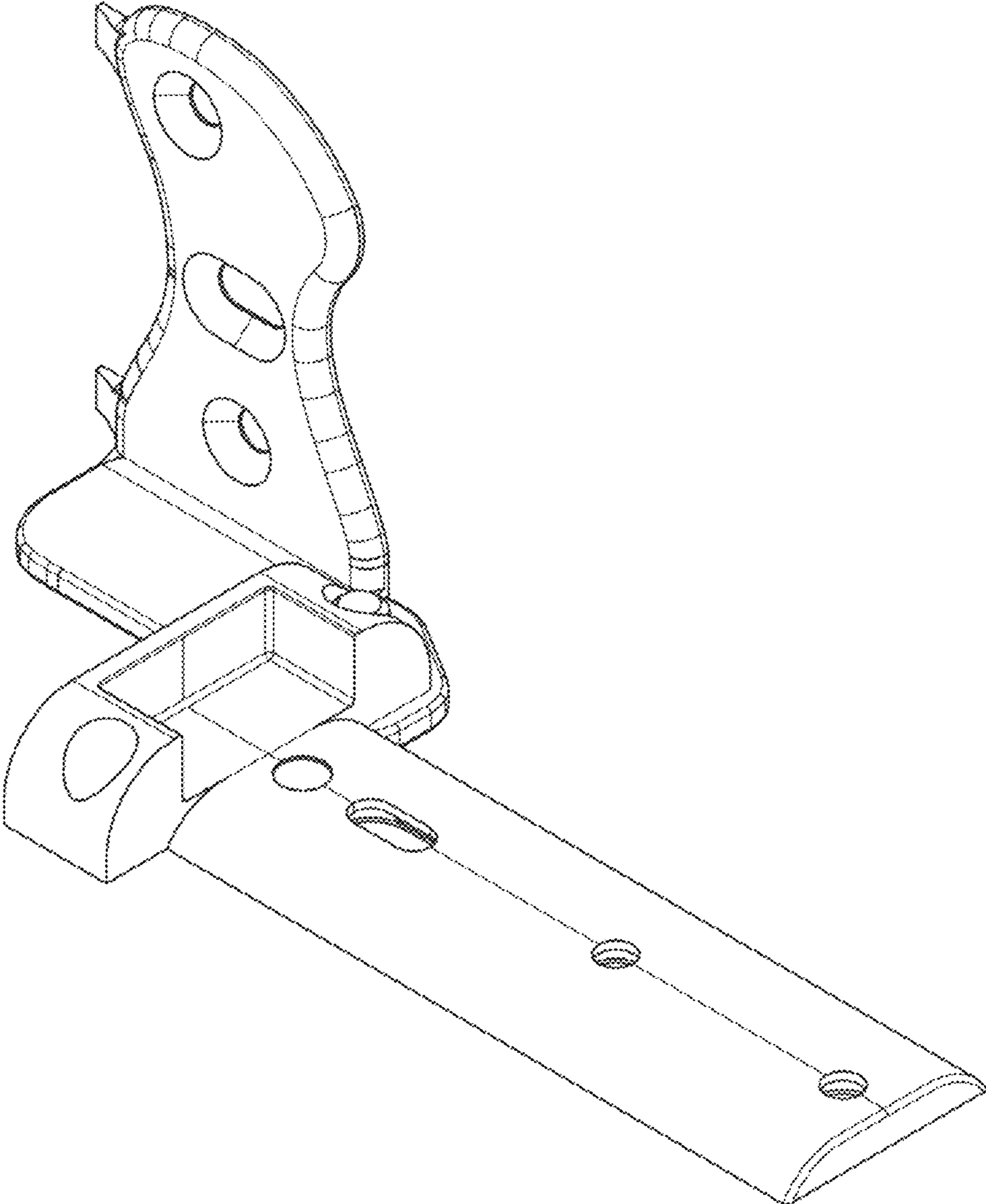


FIG. 22

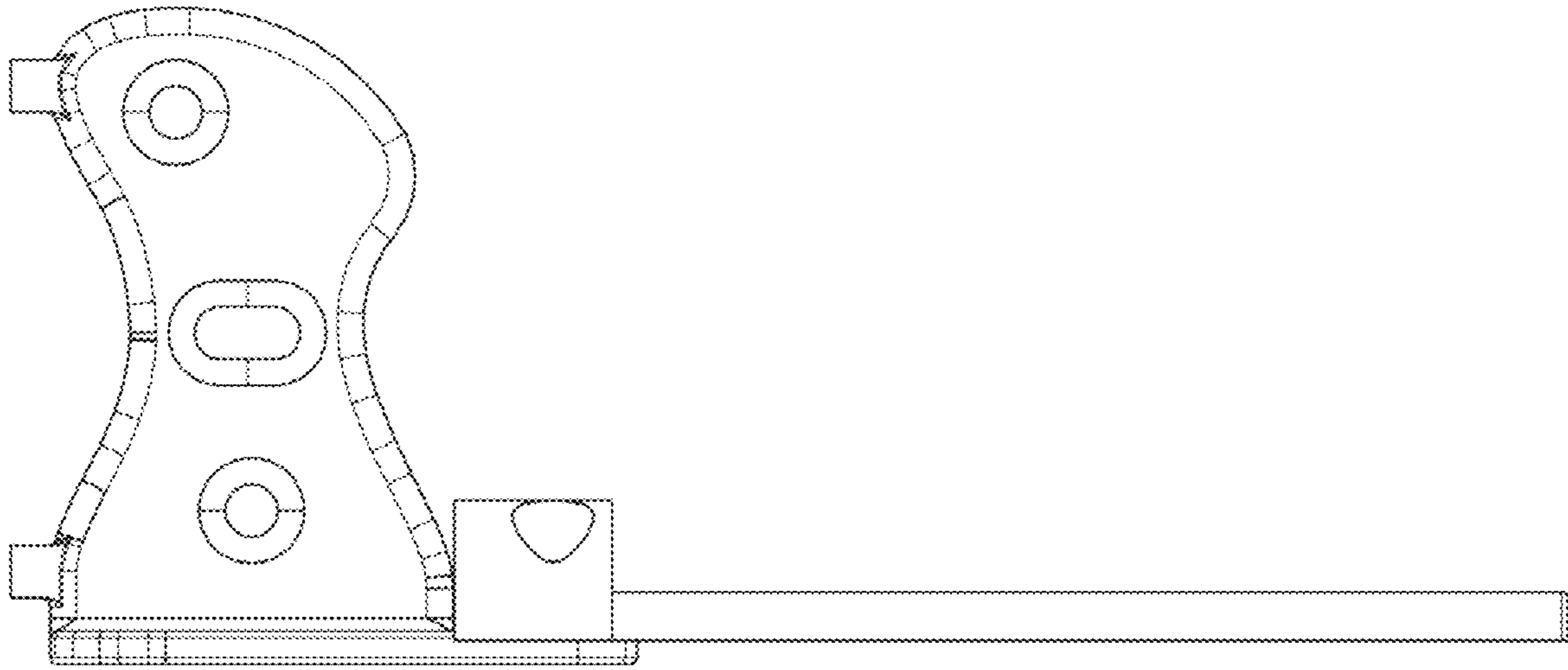


FIG. 23

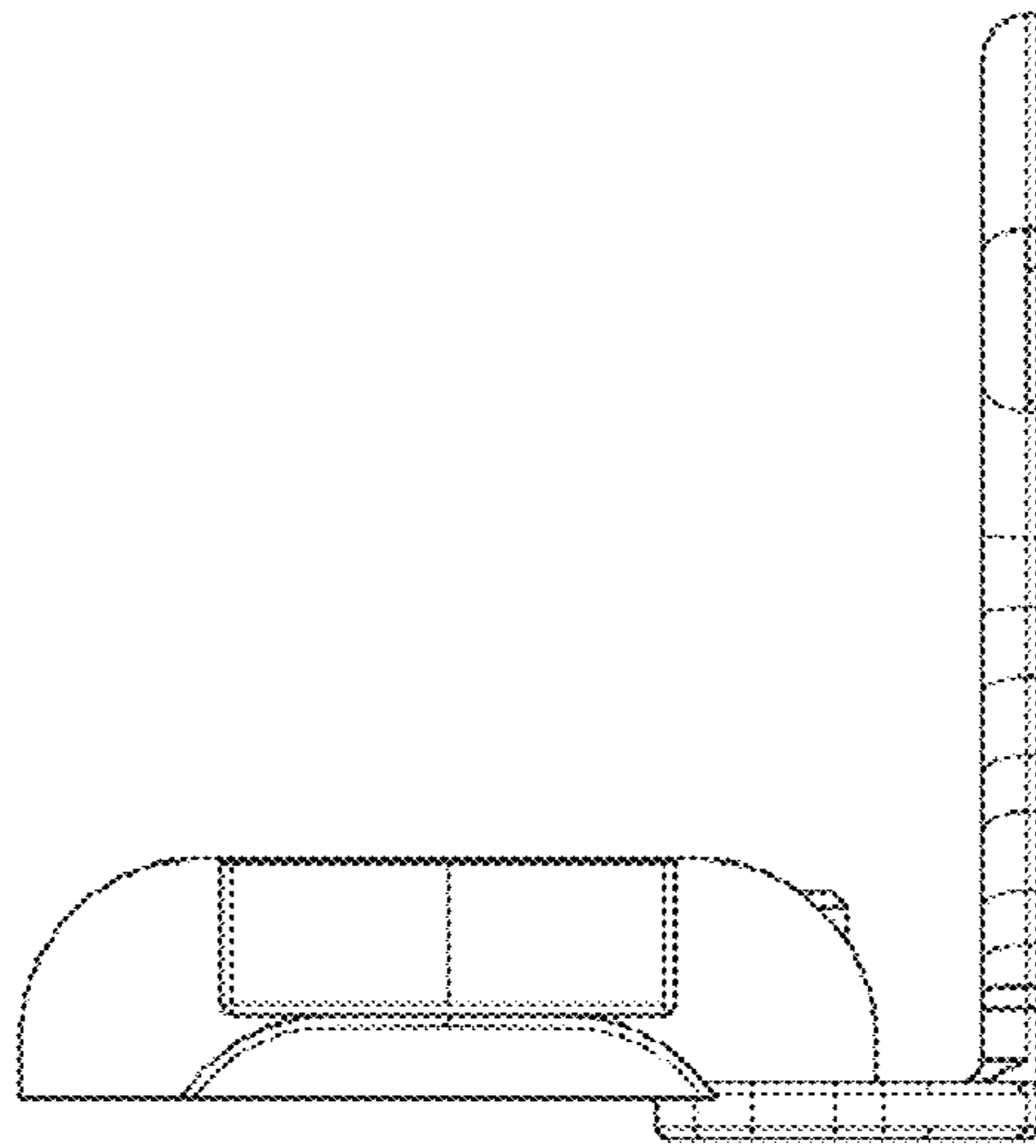


FIG. 24

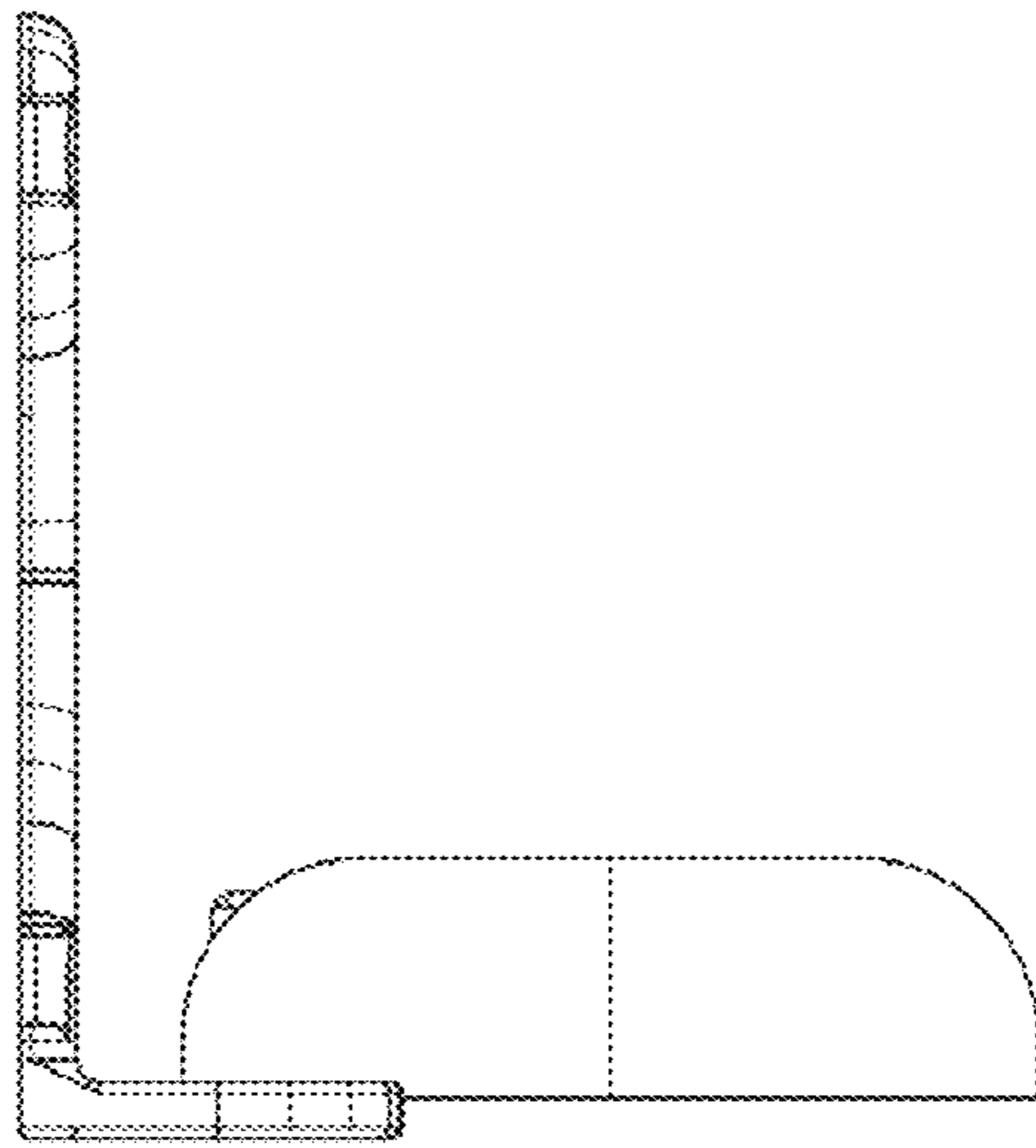


FIG. 25

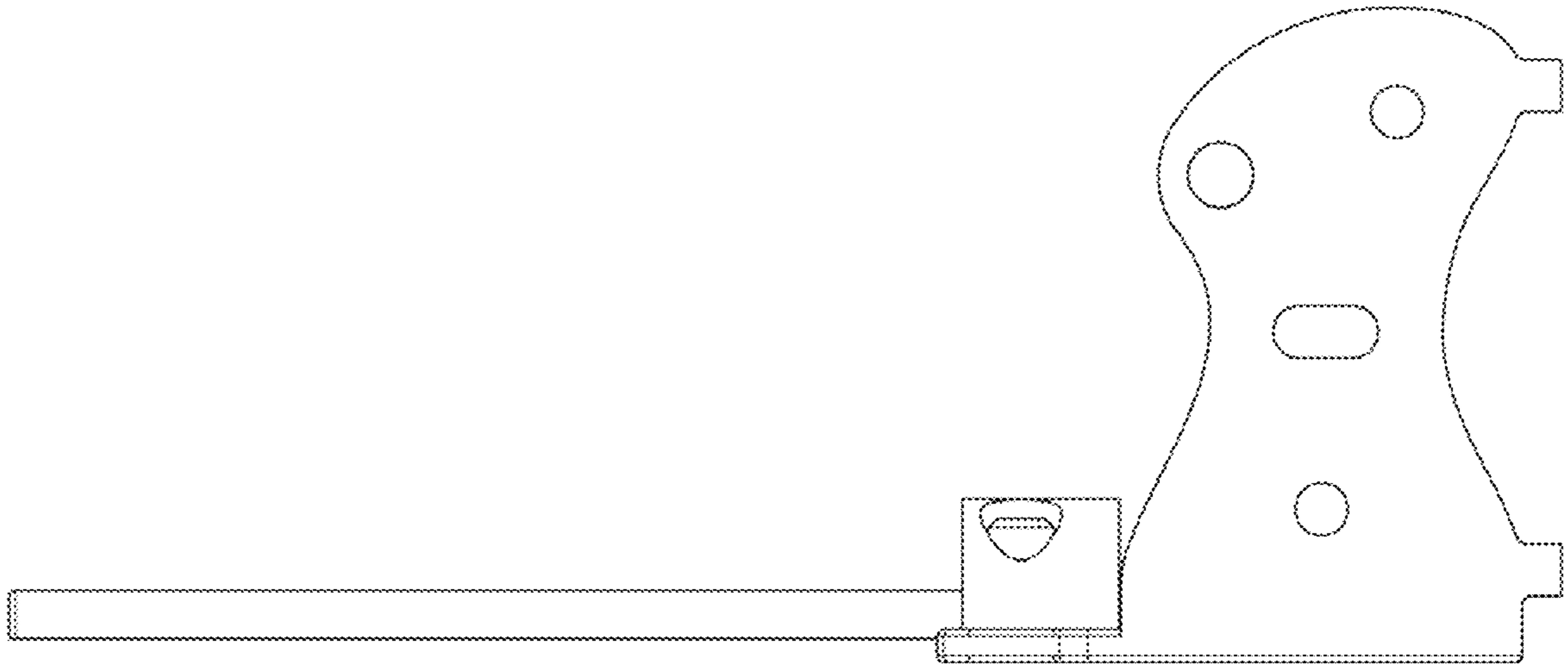


FIG. 26

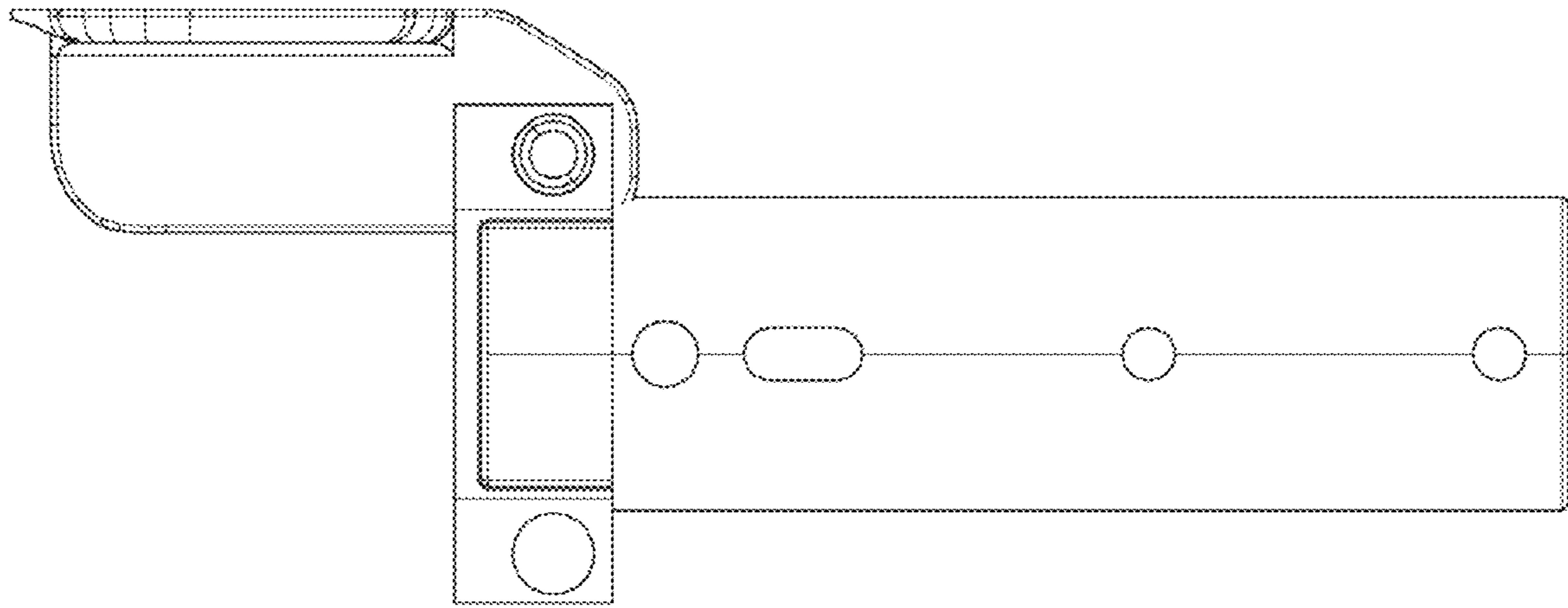


FIG. 27

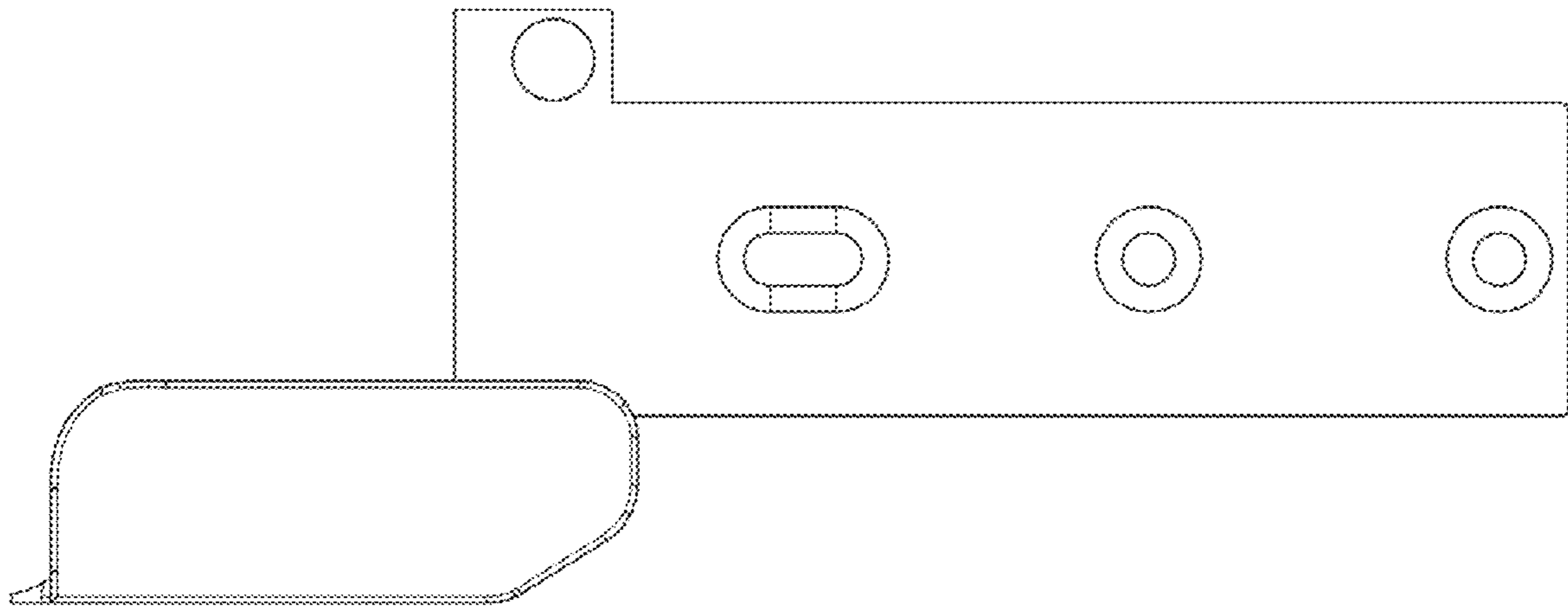


FIG. 28

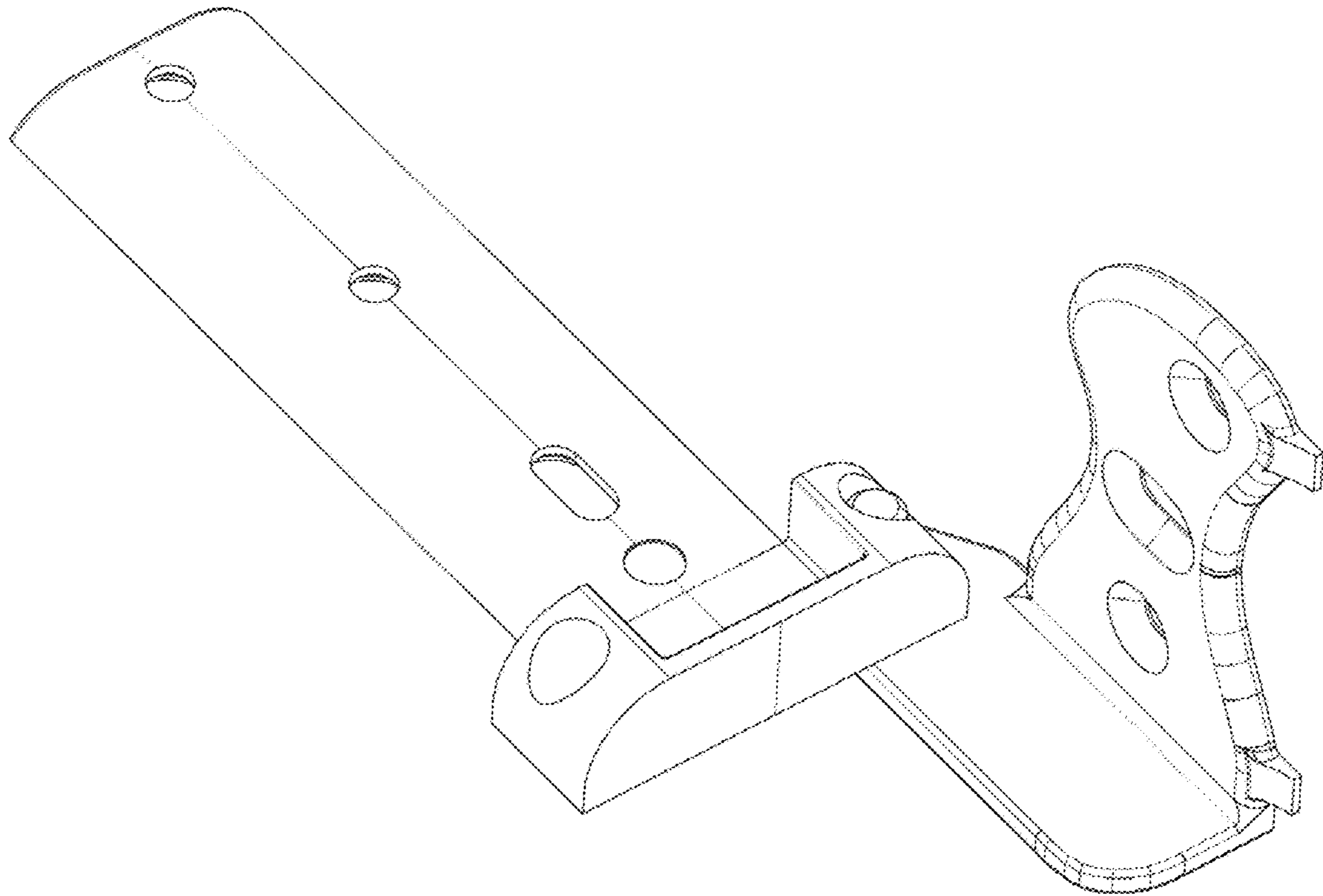


FIG. 29

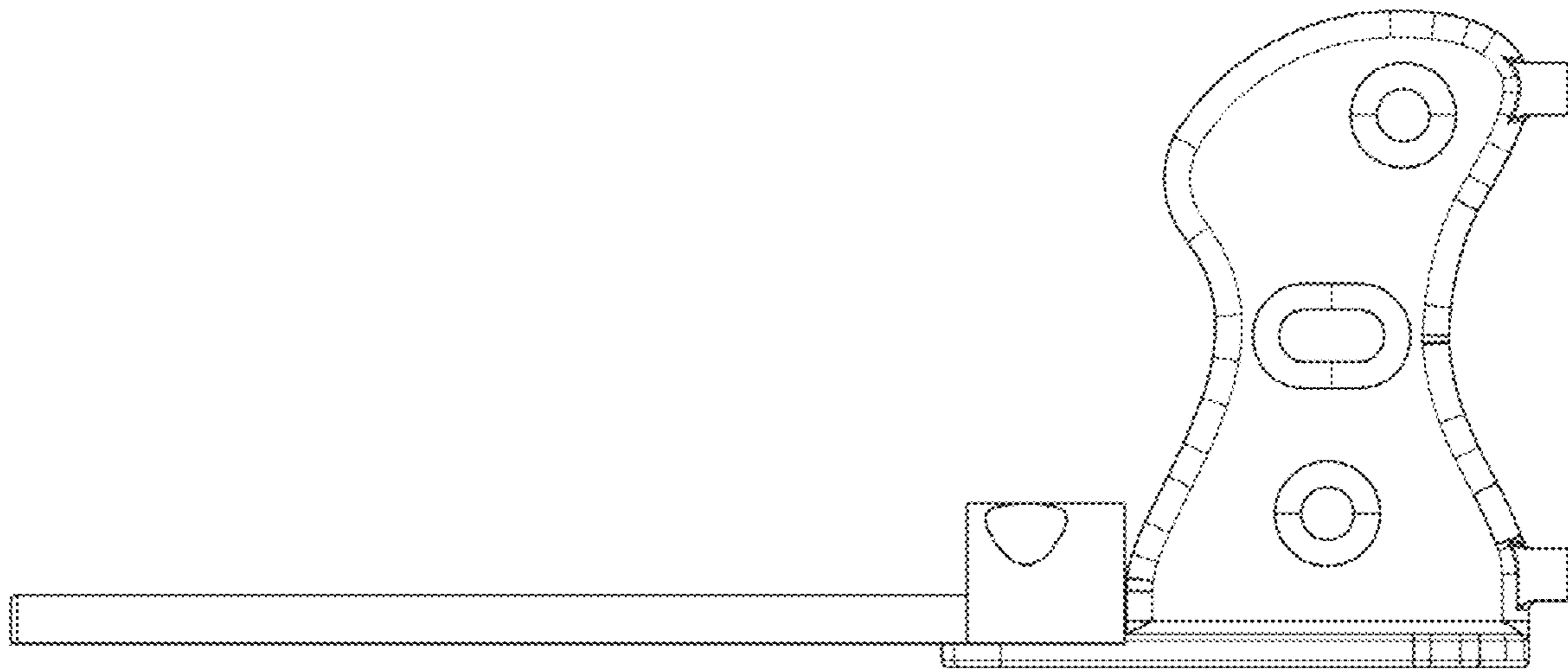


FIG. 30

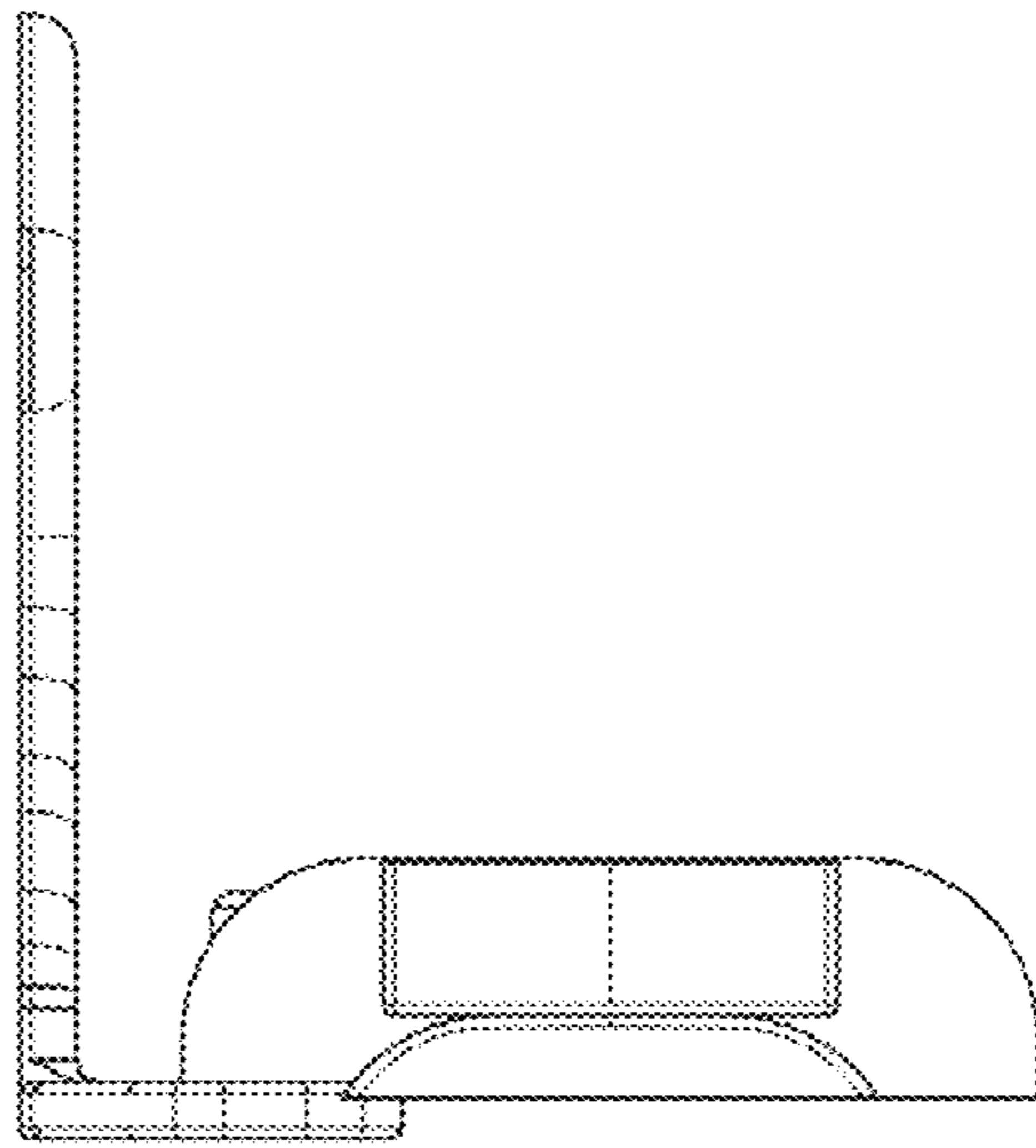


FIG. 31

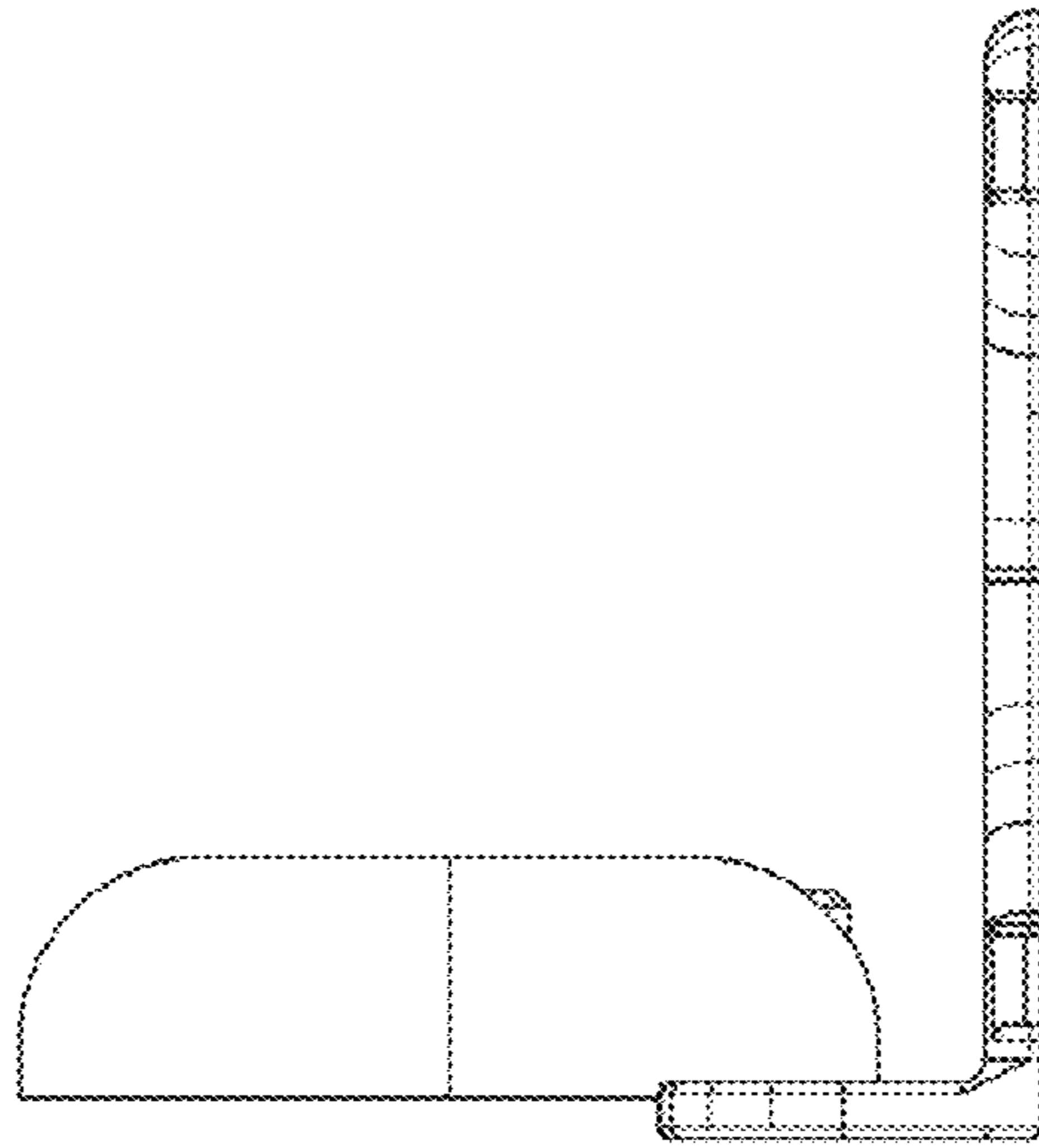


FIG. 32

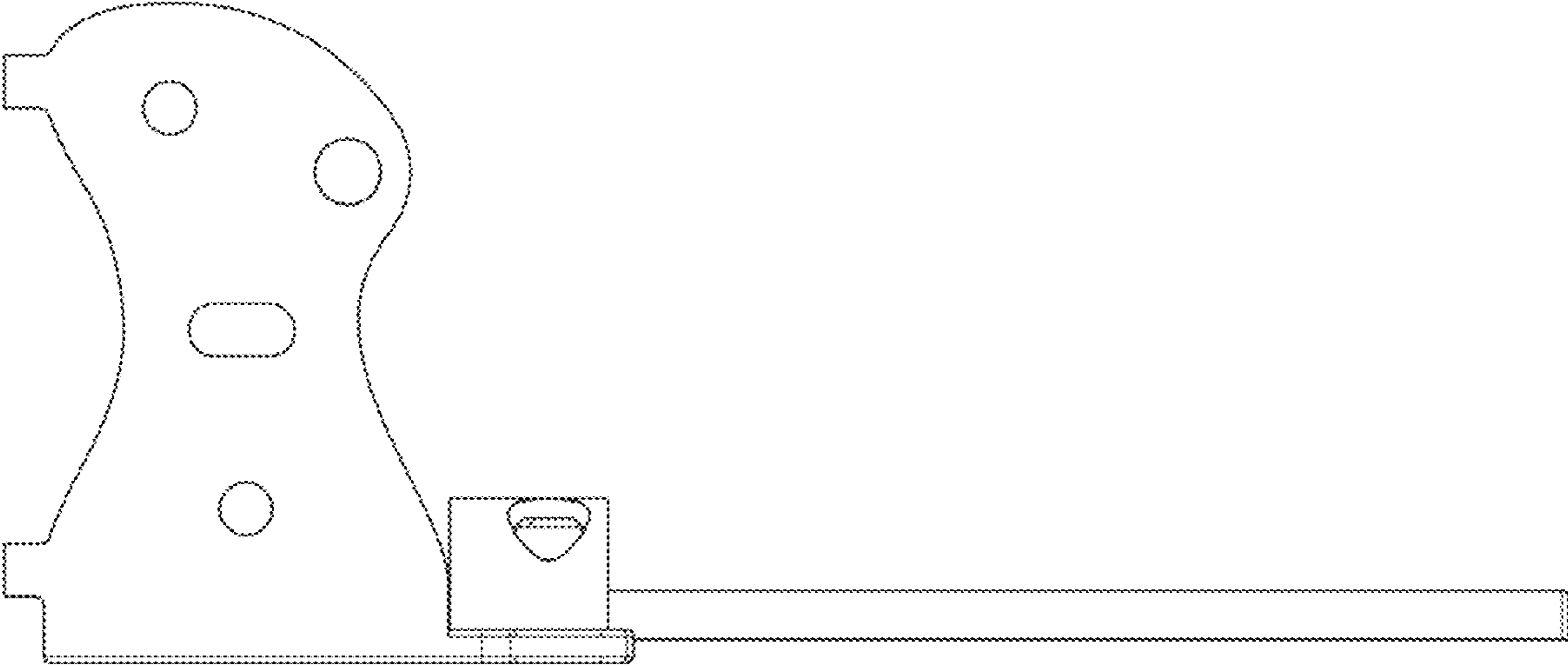


FIG. 33

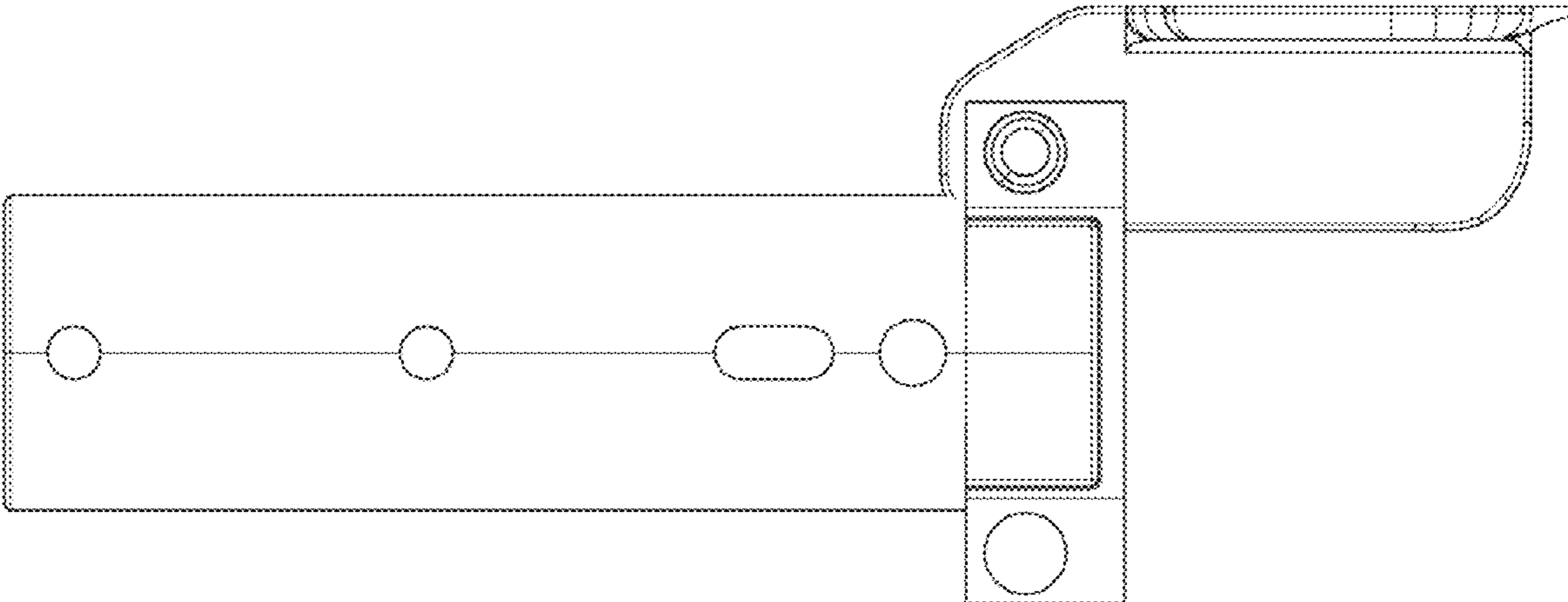


FIG. 34

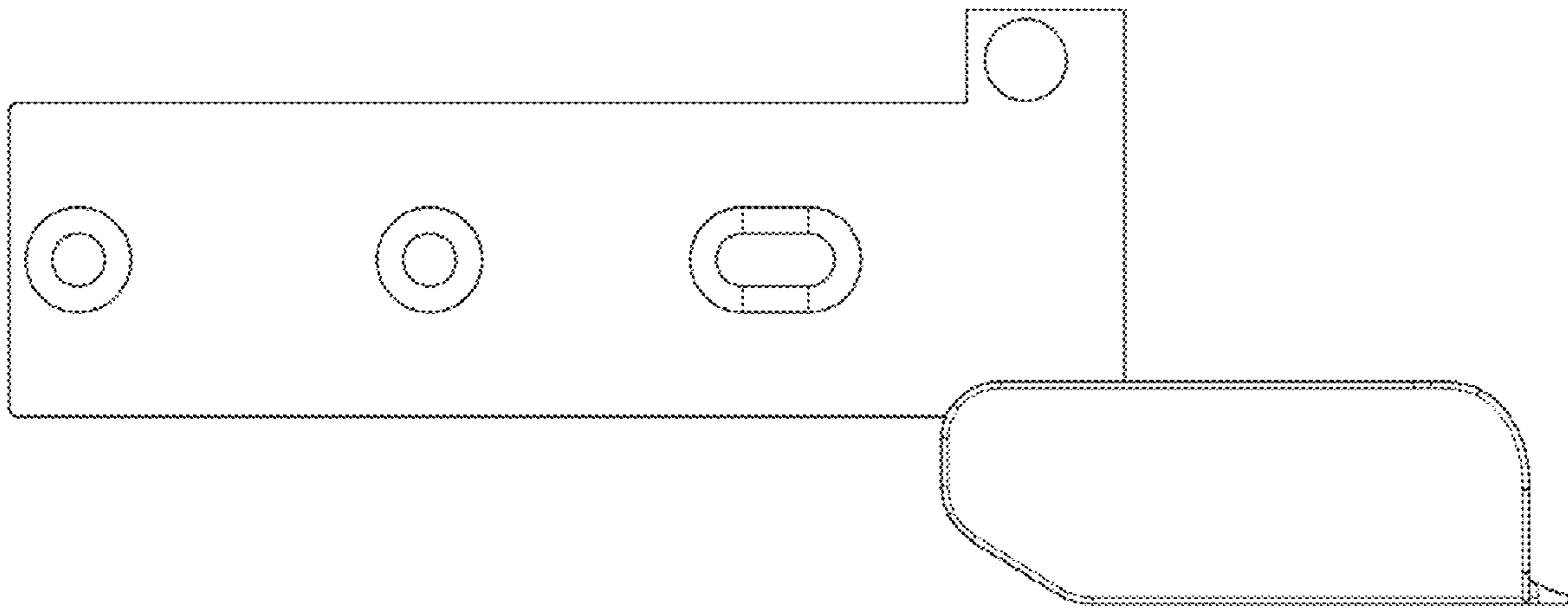


FIG. 35

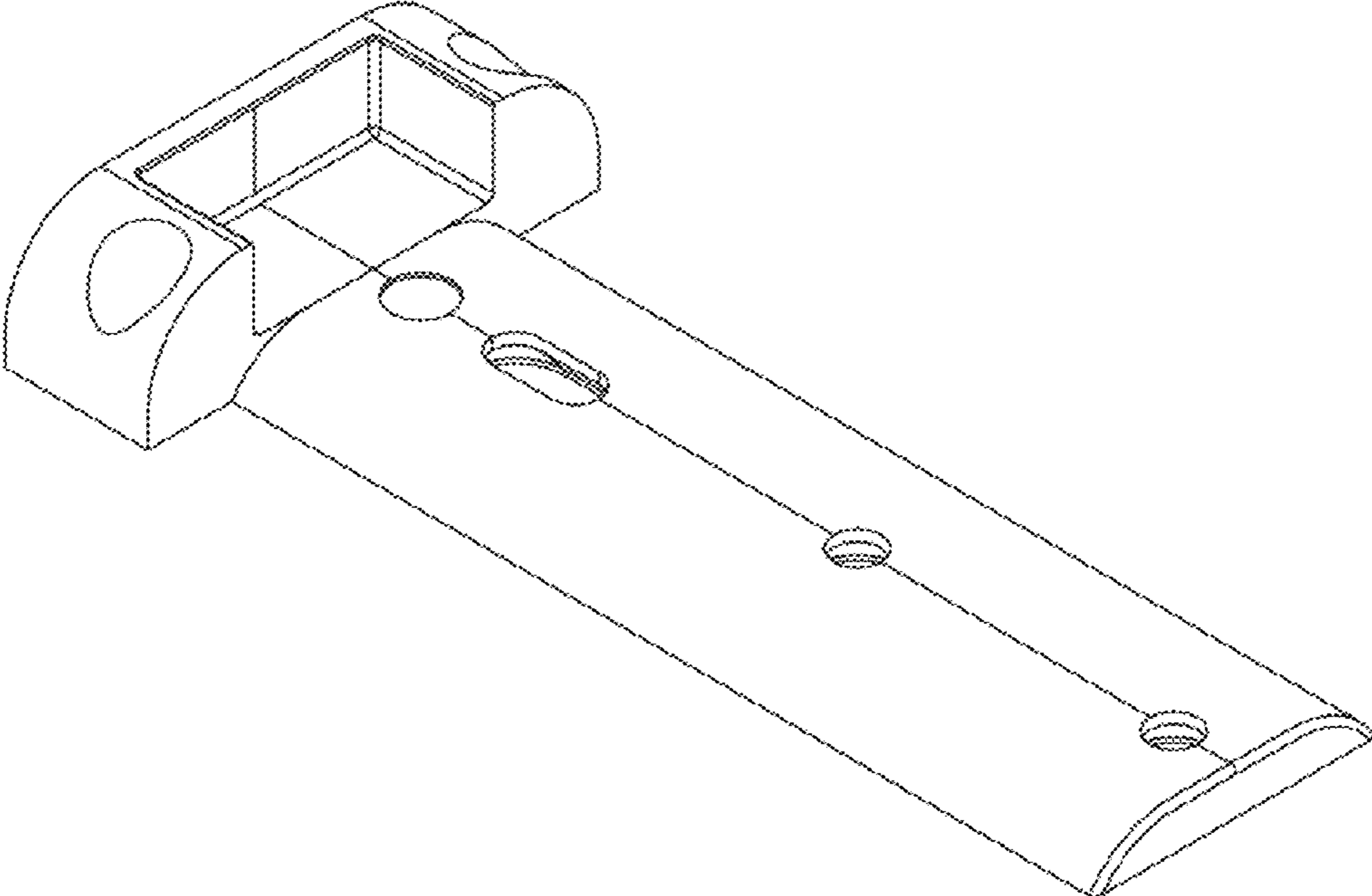


FIG. 36

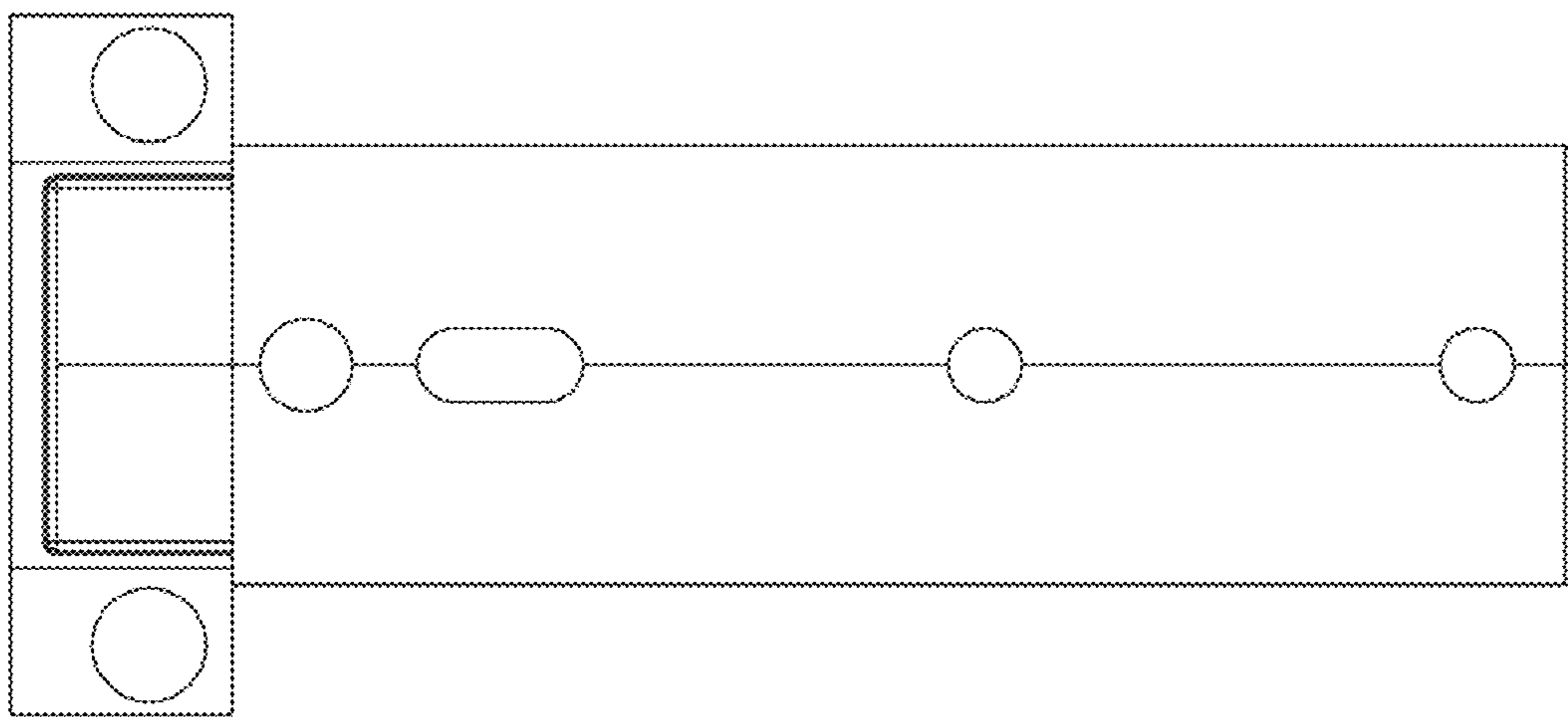


FIG. 37

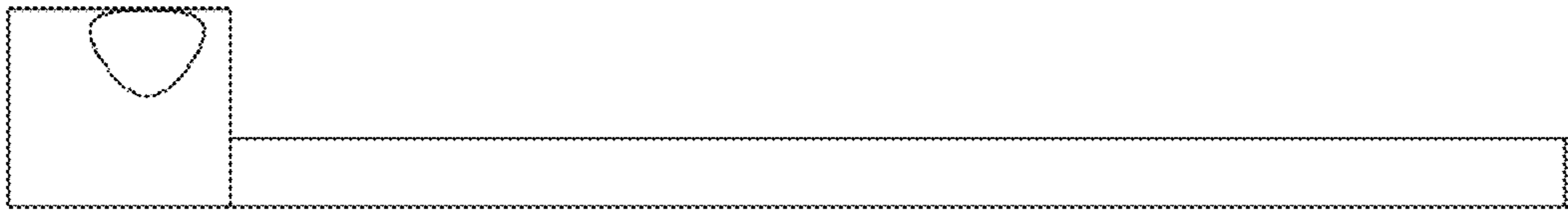


FIG. 38

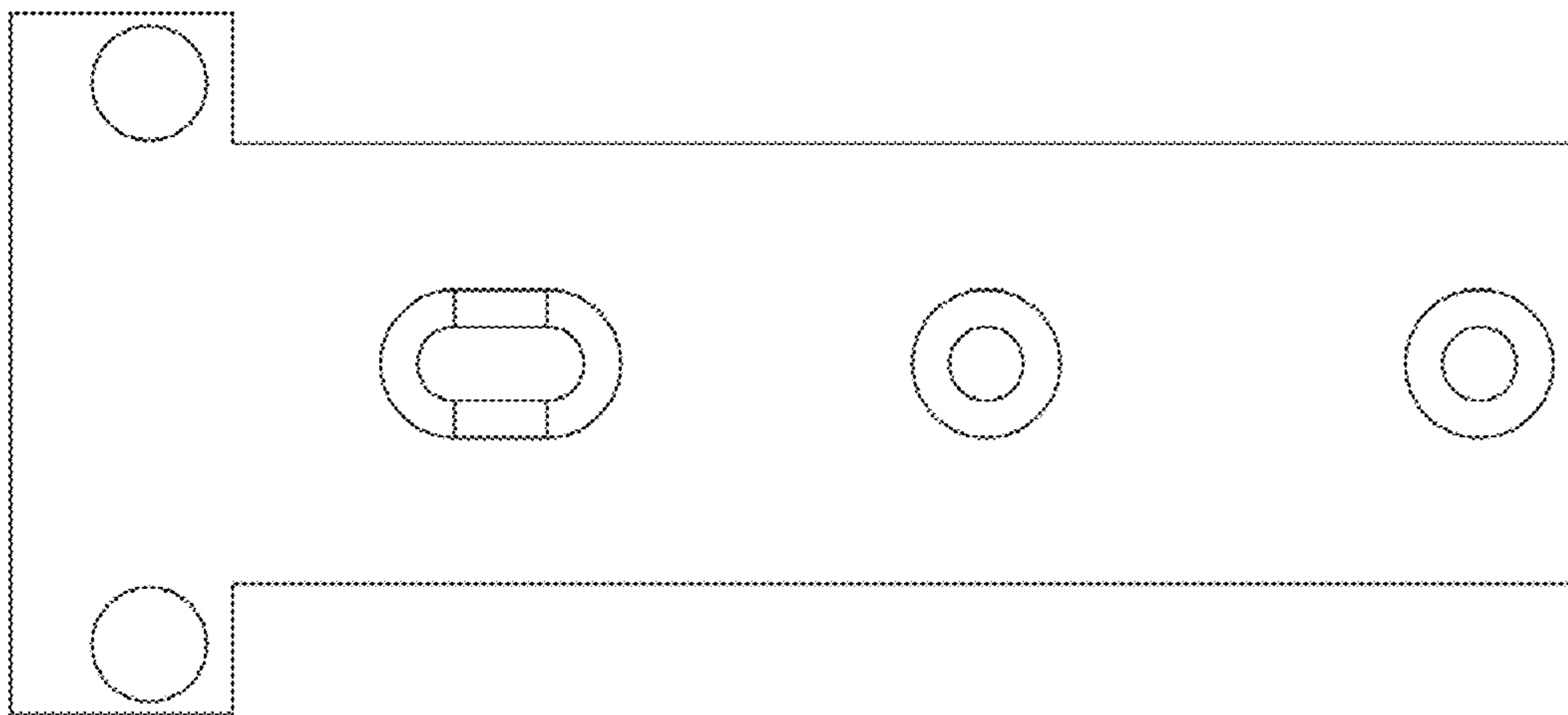


FIG. 39

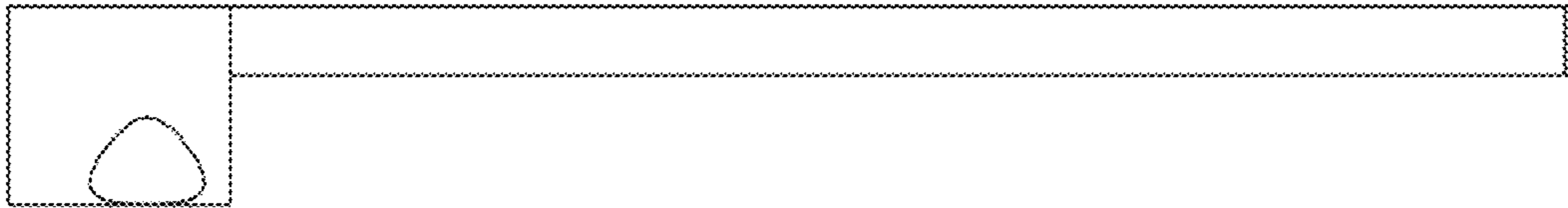


FIG. 40

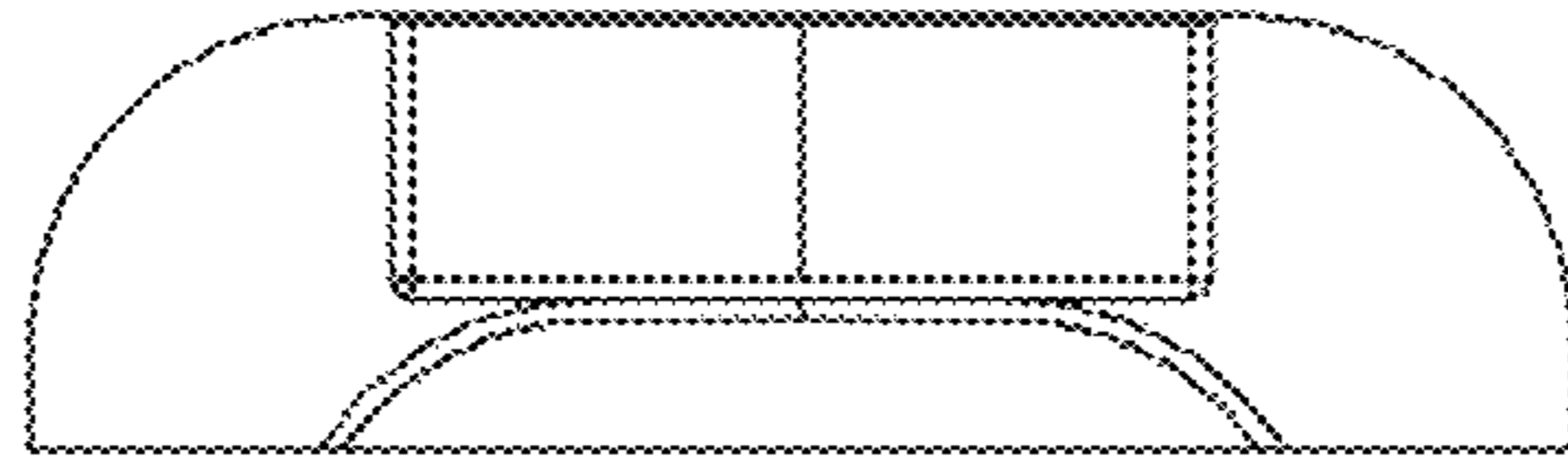


FIG. 41

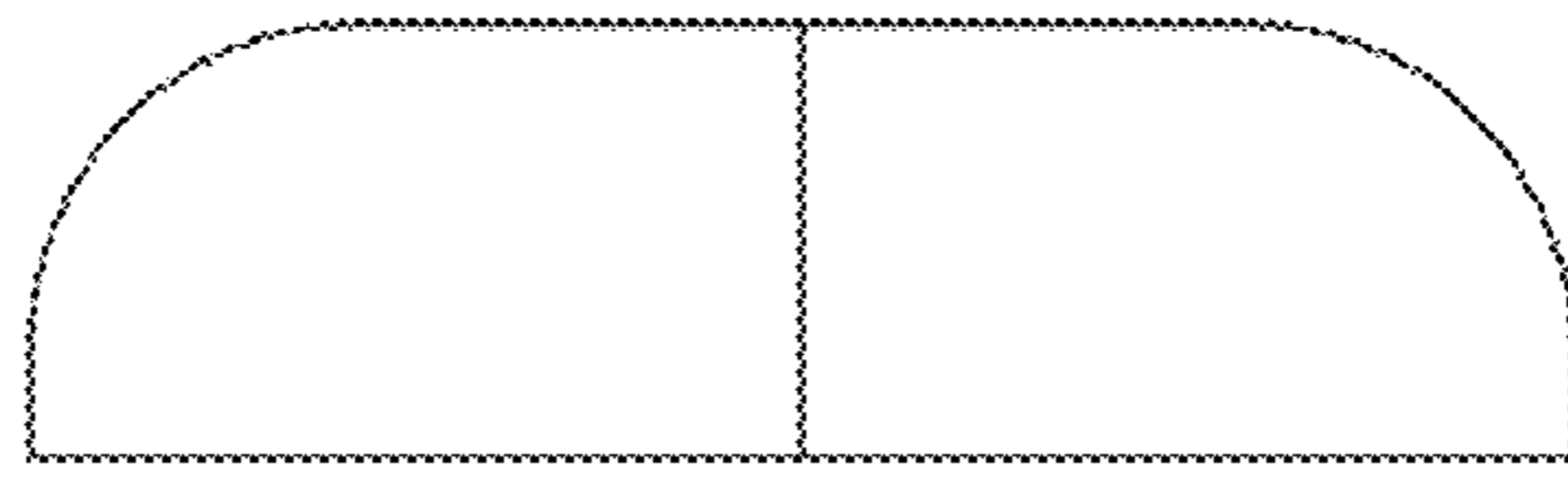


FIG. 42