

US00D936449S

(12) **United States Design Patent**  
**Gabbai et al.**

(10) **Patent No.:** **US D936,449 S**

(45) **Date of Patent:** **\*\* Nov. 23, 2021**

(54) **HANDLE**

(71) Applicant: **M. Arthur Gensler, Jr. & Associates, Inc.**, New York, NY (US)

(72) Inventors: **Ephraim Jonas Gabbai**, Brooklyn, NY (US); **Niti Dilip Dattani**, Hillsborough, NJ (US)

(73) Assignee: **M. ARTHUR GENSLER, JR. & ASSOCIATES, INC.**, New York, NY (US)

(\*\*) Term: **15 Years**

(21) Appl. No.: **29/780,032**

(22) Filed: **Apr. 22, 2021**

**Related U.S. Application Data**

(62) Division of application No. 29/656,693, filed on Jul. 16, 2018.

(51) **LOC (13) Cl.** ..... **08-06**

(52) **U.S. Cl.**  
USPC ..... **D8/316**

(58) **Field of Classification Search**  
USPC ..... D8/315, 316, 317, 318, 319, 320;  
D6/549; 15/235.5

CPC ..... B25G 3/00  
See application file for complete search history.

(56) **References Cited**

**U.S. PATENT DOCUMENTS**

- D193,468 S 7/1877 Weaver
- D206,430 S \* 12/1966 James et al. .... D8/317
- 4,399,583 A \* 8/1983 Jarvis ..... E04F 21/06  
15/144.1
- D320,337 S \* 10/1991 Tye ..... D8/319
- 5,115,536 A \* 5/1992 Jarvis ..... B25G 3/38  
15/144.1

- D343,107 S \* 1/1994 Fulton ..... D8/315
- D368,843 S \* 4/1996 Chieda ..... D8/317
- D377,596 S \* 1/1997 Simon ..... D8/315
- D381,252 S \* 7/1997 Chieda ..... D8/317
- D403,230 S \* 12/1998 Ziemer ..... D8/317
- D448,272 S \* 9/2001 Miller ..... D8/319
- D552,959 S \* 10/2007 Gilboe ..... D8/317
- D563,197 S \* 3/2008 Lowe ..... D8/316
- D570,646 S \* 6/2008 Jeon ..... D7/402
- D572,109 S \* 7/2008 Busalt ..... D8/316
- D572,110 S \* 7/2008 Busalt ..... D8/316
- D572,111 S \* 7/2008 Busalt ..... D8/316

(Continued)

**OTHER PUBLICATIONS**

Www.amazon.com, KES 24-Inch Bathroom Single Towel Bar Wall Mount Matte Black SUS 304 Stainless Steel, A23000S60-BK, Jan. 1, 2018 (Year: 2018).

*Primary Examiner* — Keli L Hill

*Assistant Examiner* — Harold E Blackwell, II

(74) *Attorney, Agent, or Firm* — Volpe Koenig

(57) **CLAIM**

The ornamental design for a handle, as shown and described.

**DESCRIPTION**

FIG. 1 is a top perspective view of the handle of our design; FIG. 2 is a rear view thereof;

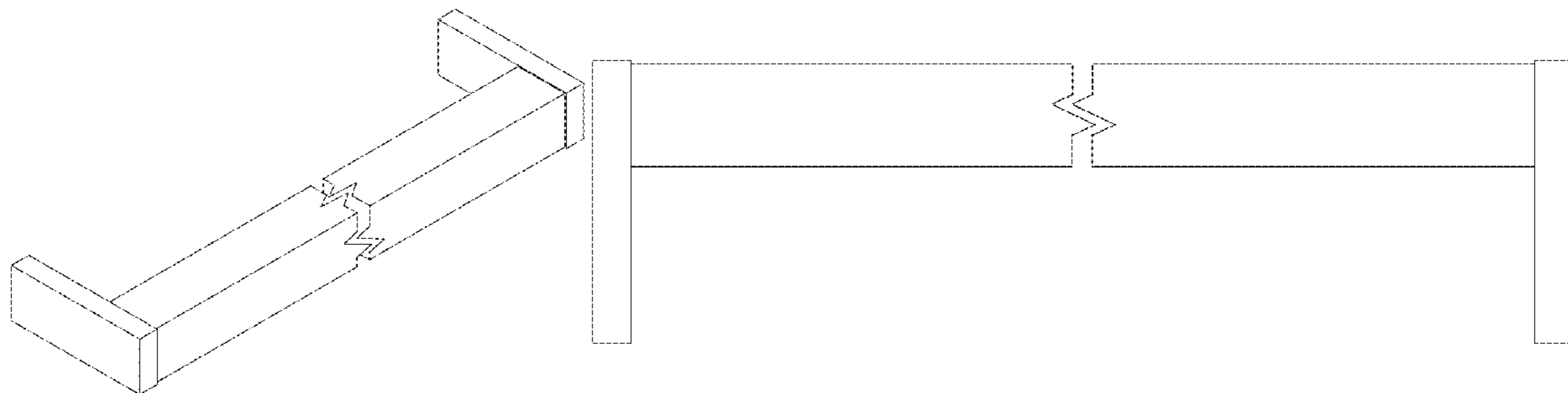
FIG. 3 is a top view of the handle of FIG. 1, the bottom view being identical thereto;

FIG. 4 is a front view of the handle of FIG. 1; and,

FIG. 5 is a left side view of the handle of FIG. 1, the right side being a mirror image thereof.

The handle is shown with a symbolic break in its length in FIGS. 1-4. The appearance of any portion of the article between the break lines forms no part of the claimed design. The broken lines in the figures form no part of the claimed design.

**1 Claim, 5 Drawing Sheets**



(56)

**References Cited**

## U.S. PATENT DOCUMENTS

D574,217	S	*	8/2008	Jou	.....	D8/317
D577,567	S	*	9/2008	Crookshanks	.....	D8/316
D605,924	S	*	12/2009	Hanes	.....	D8/317
D606,839	S	*	12/2009	Urquiola	.....	D8/316
D612,677	S	*	3/2010	Jeon, III	.....	D7/402
D614,013	S	*	4/2010	Saubert	.....	D8/317
D643,277	S	*	8/2011	Roe	.....	D8/317
D644,485	S	*	9/2011	Rae	.....	D7/394
D666,867	S	*	9/2012	Rae	.....	D7/394
D668,124	S	*	10/2012	Lewis	.....	D8/45
D683,181	S	*	5/2013	Rae	.....	D7/394
D704,031	S	*	5/2014	Jou	.....	A47B 95/02
						D8/317
D708,927	S	*	7/2014	Han	.....	E05B 1/00
						D8/317
D724,411	S	*	3/2015	Han	.....	D8/317
D725,457	S	*	3/2015	Sprague	.....	D8/315
D736,055	S	*	8/2015	Funnell, II	.....	D8/319
D741,139	S	*	10/2015	Sheppard	.....	D8/319
D747,948	S	*	1/2016	Funnell, II	.....	D8/319
D749,393	S	*	2/2016	Lee	.....	D8/316
D785,367	S		5/2017	Eads		
D891,146	S		7/2020	Seum et al.		
D897,724	S	*	10/2020	Garland	.....	D6/549
D903,830	S	*	12/2020	York	.....	D23/254
2005/0060844	A1	*	3/2005	Chiang	.....	E05B 1/0015
						16/412

\* cited by examiner

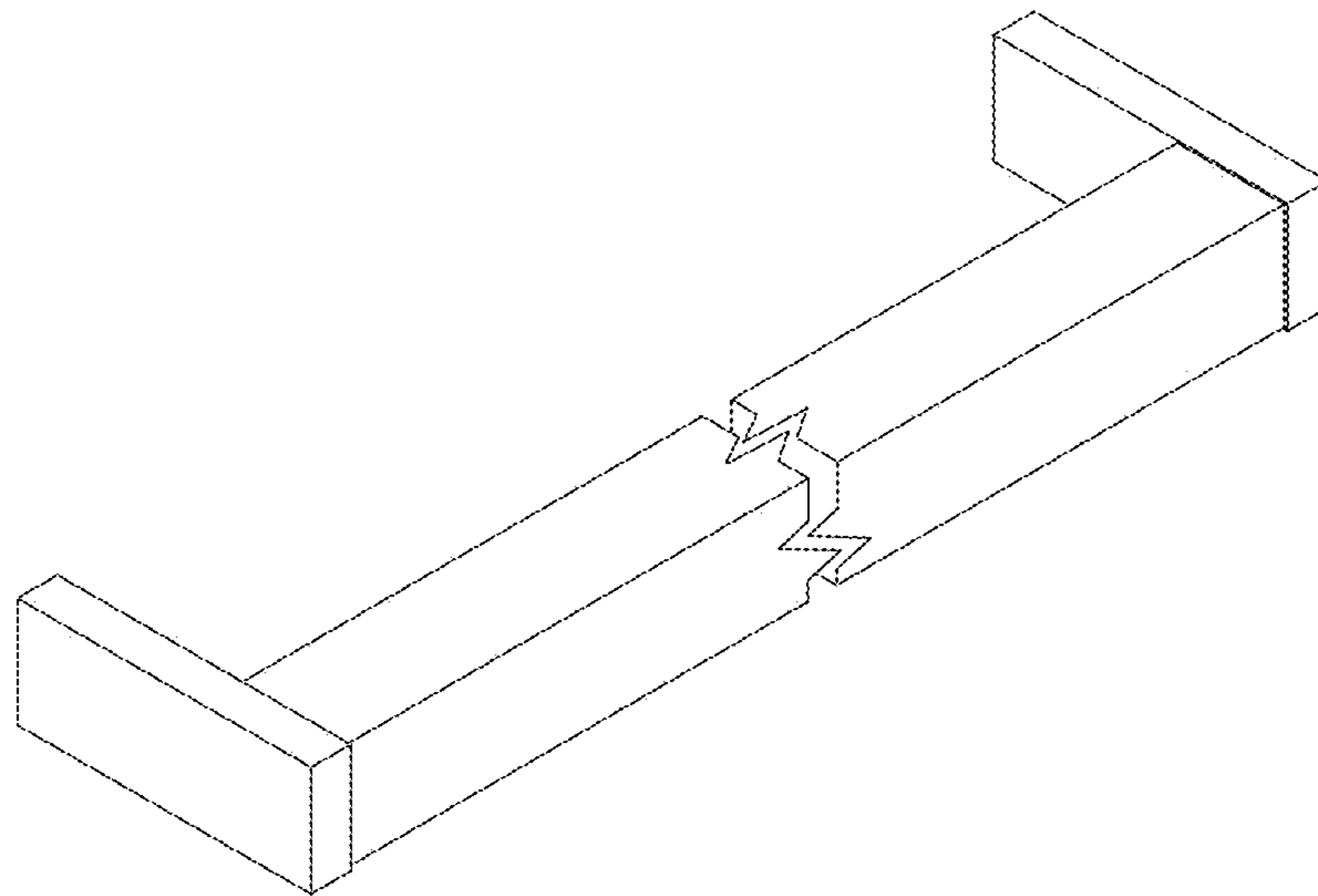
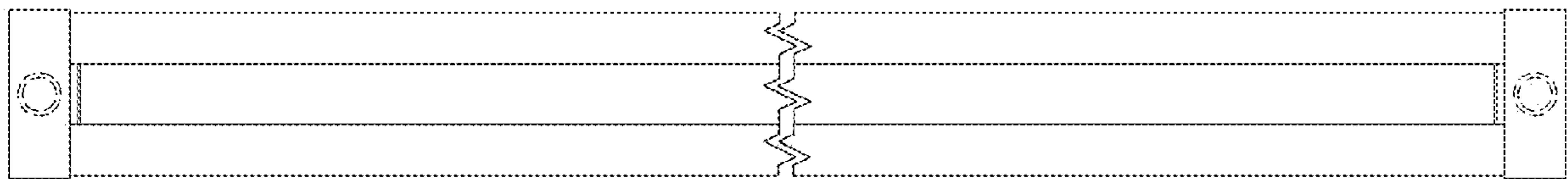


FIG. 1

FIG. 2



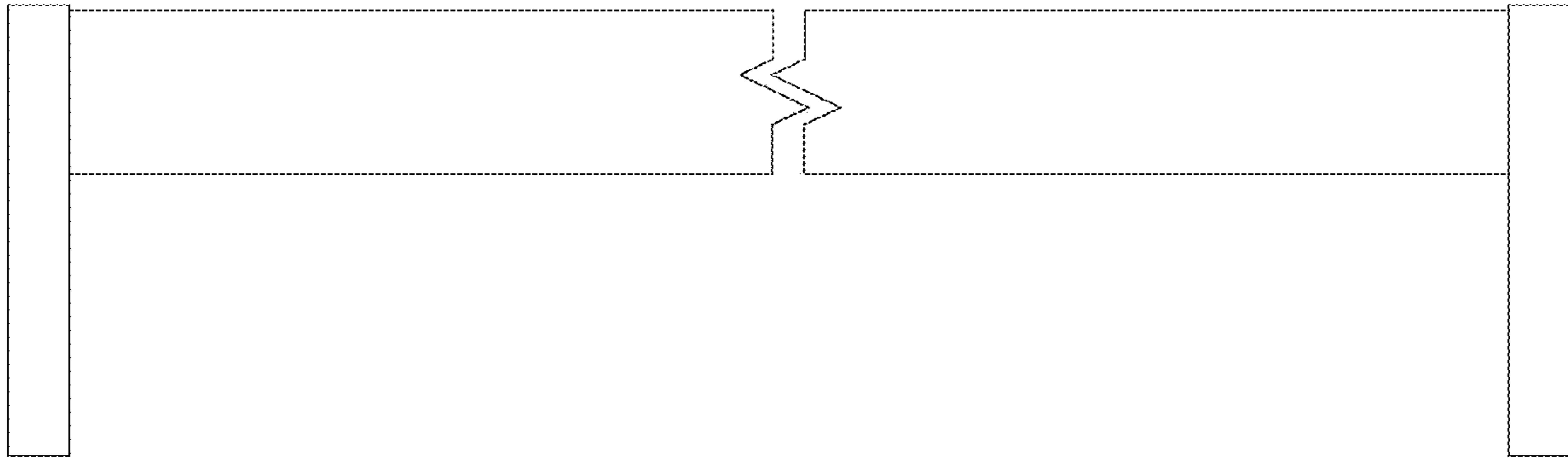


FIG. 3

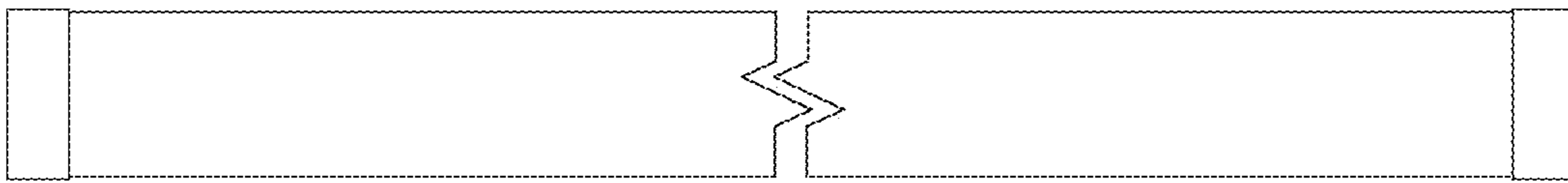


FIG. 4

FIG. 5

