



US00D936448S

(12) **United States Design Patent** (10) **Patent No.:** **US D936,448 S**  
**Gabbai et al.** (45) **Date of Patent:** **\*\* Nov. 23, 2021**

(54) **HANDLE**

(71) Applicant: **M. Arthur Gensler, Jr. & Associates, Inc.**, New York, NY (US)

(72) Inventors: **Ephraim Jonas Gabbai**, Brooklyn, NY (US); **Niti Dilip Dattani**, Hillsborough, NJ (US)

(73) Assignee: **M. ARTHUR GENSLER, JR. & ASSOCIATES, INC.**, New York, NY (US)

(\*\*) Term: **15 Years**

(21) Appl. No.: **29/780,031**

(22) Filed: **Apr. 22, 2021**

**Related U.S. Application Data**

(62) Division of application No. 29/656,693, filed on Jul. 16, 2018.

(51) **LOC (13) Cl.** ..... **08-06**

(52) **U.S. Cl.**  
USPC ..... **D8/316**

(58) **Field of Classification Search**  
USPC ..... D8/315, 316, 317, 318, 319, 320;  
D6/549; 15/235.5  
CPC ..... B25G 3/00  
See application file for complete search history.

(56) **References Cited**

**U.S. PATENT DOCUMENTS**

D193,468 S *	8/1962	Thompson	.....	D8/319
D206,430 S	12/1966	James		
4,399,583 A	8/1983	Jarvis		
D298,797 S *	12/1988	White	.....	D8/319
D314,323 S *	2/1991	Tremonti	.....	D8/316
D320,337 S	10/1991	Tye et al.		
5,115,536 A	5/1992	Jarvis		
D343,107 S	1/1994	Fulton		

D368,843 S	4/1996	Chieda		
D377,596 S	1/1997	Simon et al.		
D381,252 S	7/1997	Chieda		
D403,230 S	12/1998	Ziemer et al.		
D448,272 S	9/2001	Miller		
D540,585 S *	4/2007	Igarashi	.....	D6/518
D552,959 S	10/2007	Gilboe		
D563,197 S	3/2008	Lowe		
D570,646 S	6/2008	Jeon		
D572,109 S	7/2008	Busalt et al.		
D572,110 S	7/2008	Busalt et al.		

(Continued)

**OTHER PUBLICATIONS**

www.amazon.com, KES 24-Inch Bathroom Single Towel Bar Wall Mount Matte Black SUS 304 Stainless Steel, A23000S60-BK, Jan. 1, 2018 (Year: 2018).

*Primary Examiner* — Keli L Hill

*Assistant Examiner* — Harold E Blackwell, II

(74) *Attorney, Agent, or Firm* — Volpe Koenig

(57) **CLAIM**

The ornamental design for a handle, as shown and described.

**DESCRIPTION**

FIG. 1 is a top perspective view of the handle of our new design;

FIG. 2 is a rear view thereof;

FIG. 3 is a bottom view of the handle of FIG. 1;

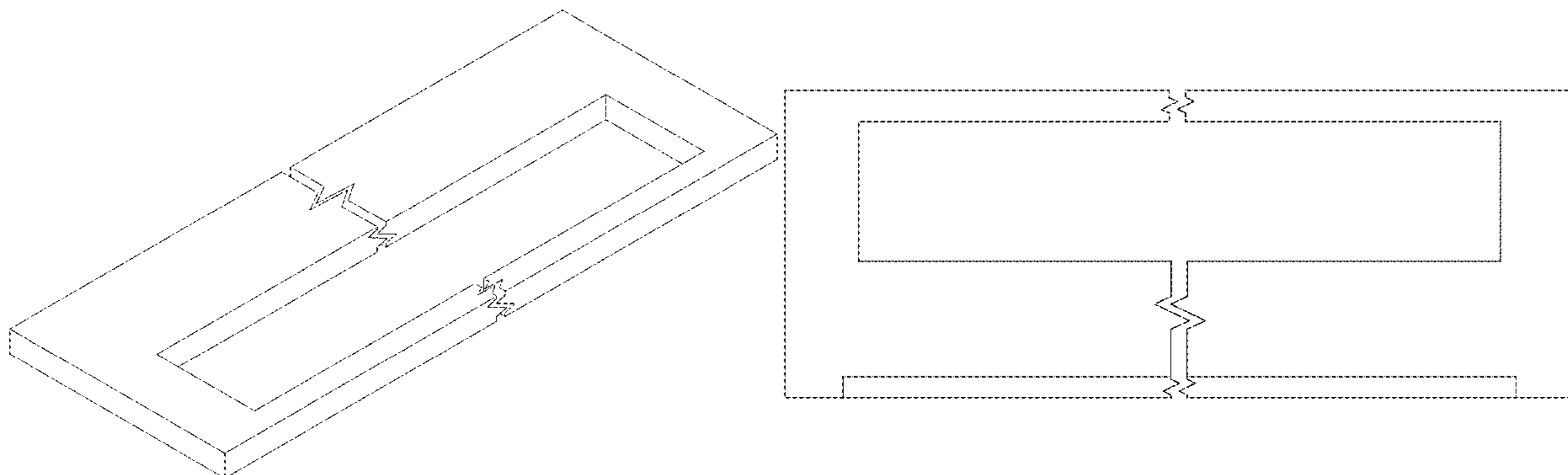
FIG. 4 is a front view of the handle of FIG. 1;

FIG. 5 is a top view of the handle of FIG. 1; and,

FIG. 6 is a left side view of the handle of FIG. 1, the right side being a mirror image thereof.

The handle is shown with a symbolic break in its length in FIGS. 1-5. The appearance of any portion of the article between the break lines forms no part of the claimed design. The broken lines in the figures form no part of the claimed design.

**1 Claim, 6 Drawing Sheets**



(56)

**References Cited**

U.S. PATENT DOCUMENTS

D572,111	S	7/2008	Busalt et al.	
D574,217	S	8/2008	Jou	
D577,567	S	9/2008	Crookshanks	
D605,924	S	12/2009	Hanes	
D606,839	S	12/2009	Urquiola	
D612,677	S	3/2010	Jeon	
D614,013	S	4/2010	Saubert et al.	
D643,277	S	8/2011	Roe	
D644,485	S	9/2011	Rae	
D666,867	S	9/2012	Rae	
D668,124	S	10/2012	Lewis	
D683,181	S	5/2013	Rae	
D704,031	S	5/2014	Jou	
D708,927	S	7/2014	Han	
D724,411	S	3/2015	Han	
D725,457	S	3/2015	Sprague	
D730,148	S *	5/2015	Magnusson .....	D8/313
D736,055	S	8/2015	Funnell et al.	
D741,139	S *	10/2015	Sheppard .....	D8/319
D747,948	S	1/2016	Funnell et al.	
D749,393	S	2/2016	Lee et al.	
D764,833	S *	8/2016	Citterio .....	D6/549
D785,367	S *	5/2017	Eads .....	D6/549
D812,929	S *	3/2018	Garland .....	D6/549
D826,686	S *	8/2018	Kim .....	D8/315
D849,503	S *	5/2019	Lee .....	D8/315
D891,146	S *	7/2020	Seum .....	D6/546
D896,058	S *	9/2020	Prezner .....	D8/319
D897,724	S	10/2020	Garland	
D903,830	S *	12/2020	York .....	D23/254
2005/0060844	A1	3/2005	Chiang	

\* cited by examiner

FIG. 1

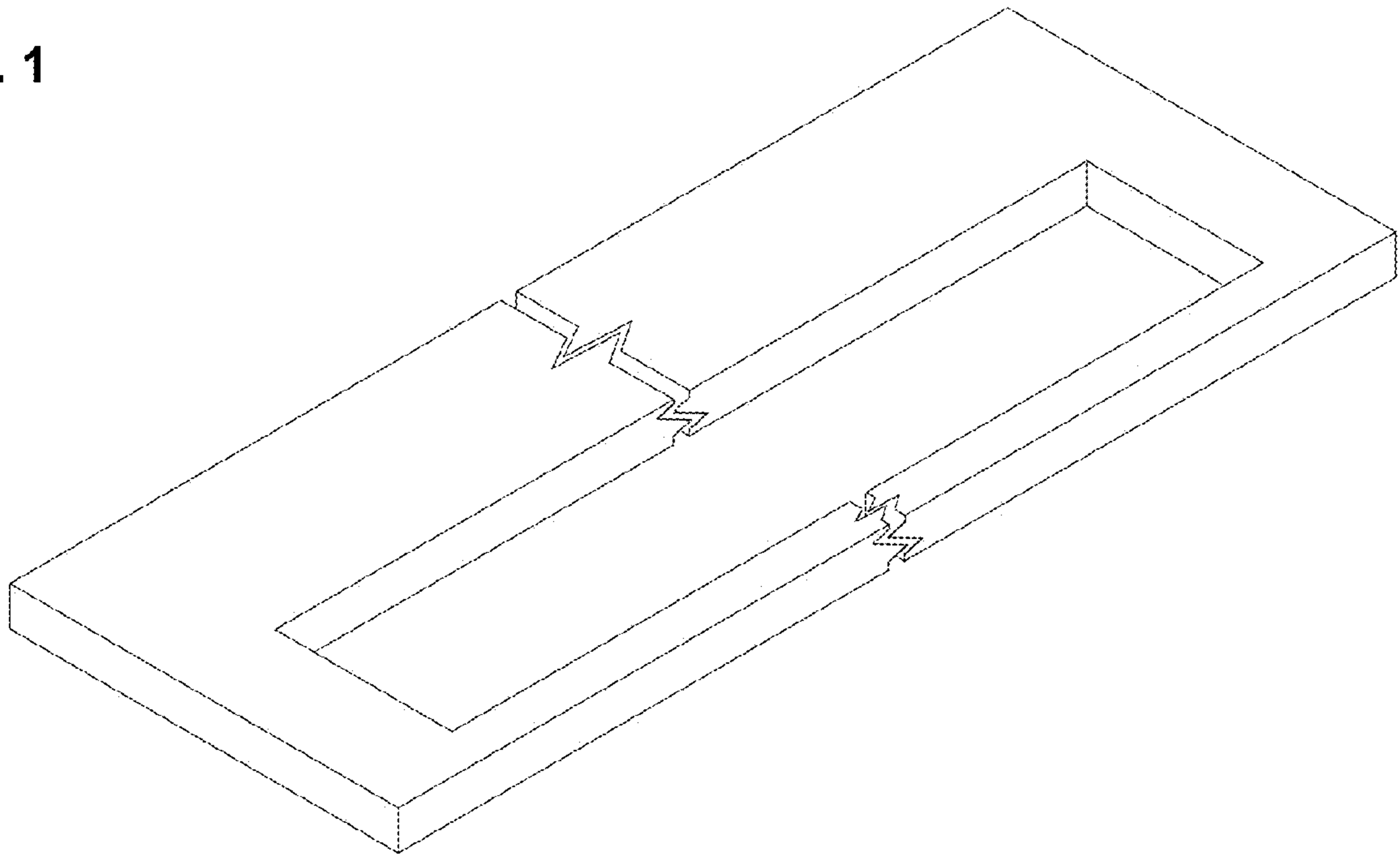


FIG. 2

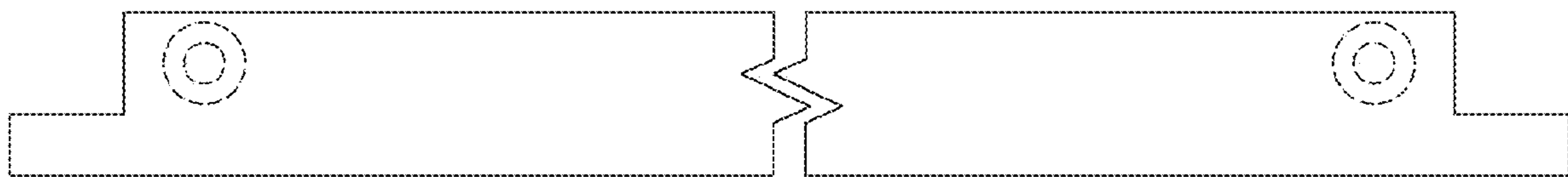


FIG. 3

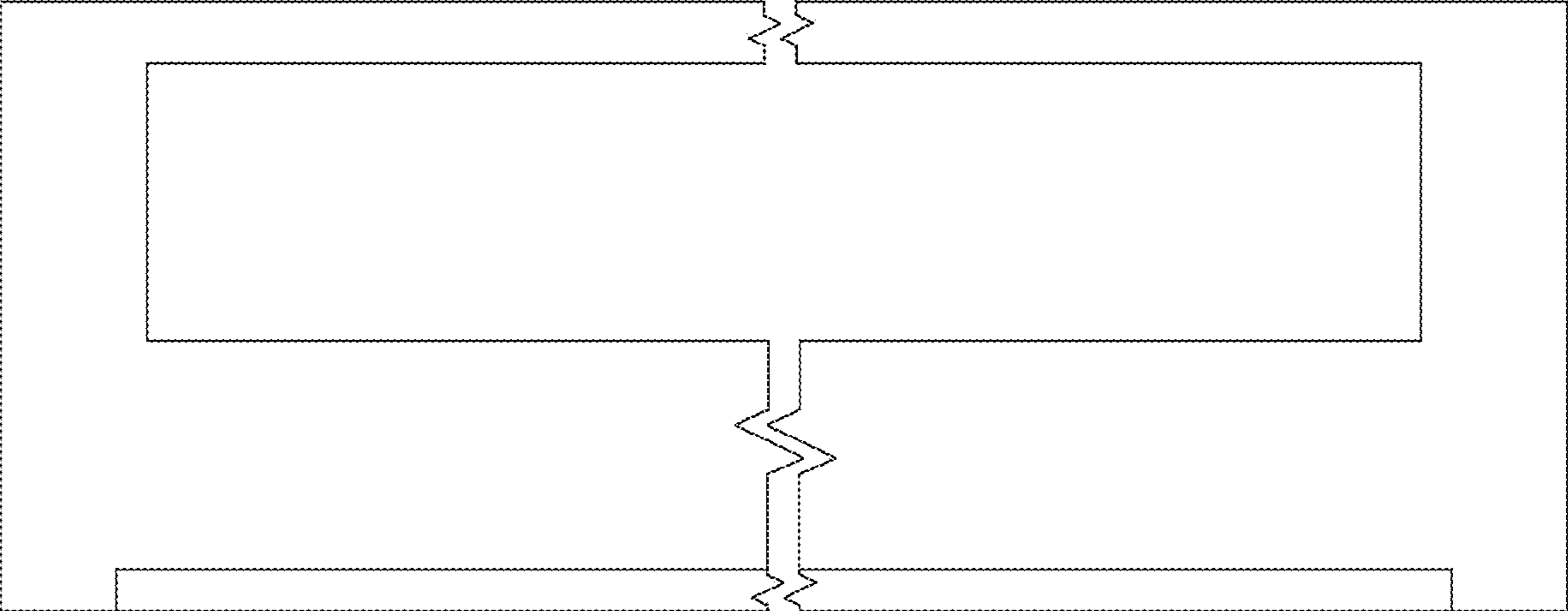


FIG. 4

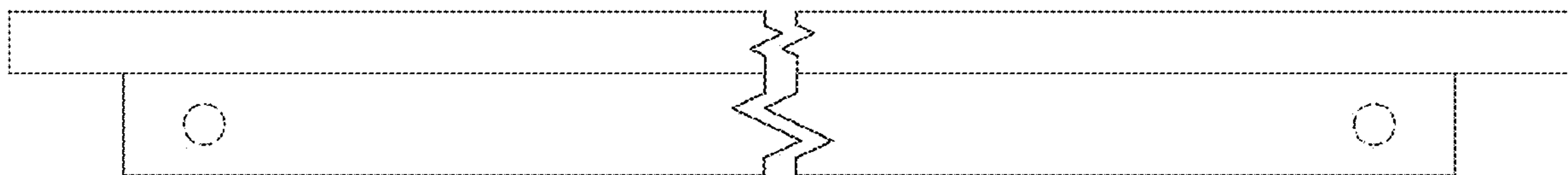


FIG. 5

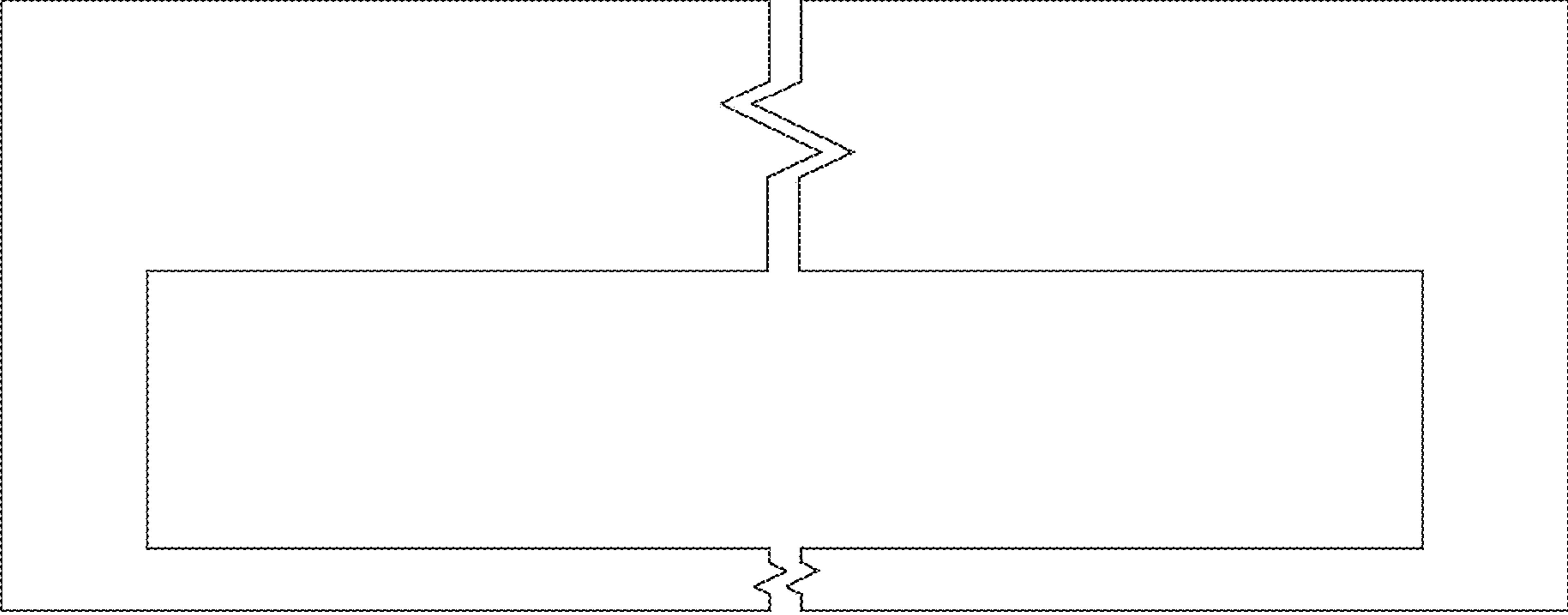


FIG. 6

