

US00D936442S

(12) **United States Design Patent** (10) **Patent No.:** **US D936,442 S**
Nakamura et al. (45) **Date of Patent:** **** Nov. 23, 2021**

- (54) **IMPACT WRENCH**
- (71) Applicant: **MAKITA CORPORATION**, Anjo (JP)
- (72) Inventors: **Kento Nakamura**, Anjo (JP); **Kihiro Kusumoto**, Anjo (JP)
- (73) Assignee: **MAKITA CORPORATION**, Anjo (JP)
- (**) Term: **15 Years**
- (21) Appl. No.: **29/735,241**
- (22) Filed: **May 19, 2020**

(30) **Foreign Application Priority Data**

Nov. 21, 2019 (JP) 2019-025833

(51) **LOC (13) Cl.** **08-05**

(52) **U.S. Cl.**
USPC **D8/68**

(58) **Field of Classification Search**
USPC D8/61, 67, 68
CPC B62D 23/005; B62D 29/00; B62D 29/043;
B62D 31/00; B62D 33/046; B62D 35/00;
B62D 35/001; B60Q 1/0005
See application file for complete search history.

(56) **References Cited**

U.S. PATENT DOCUMENTS

- 5,083,619 A * 1/1992 Giardino B25B 21/02
173/104
- D339,726 S * 9/1993 Bruno D8/68
- D388,678 S * 1/1998 Bantly D8/68
- D393,580 S * 4/1998 Bantly D8/68
- D434,297 S * 11/2000 Iritani D8/68
- D434,958 S * 12/2000 Izumisawa D8/68
- D436,818 S * 1/2001 Izumisawa D8/68

(Continued)

OTHER PUBLICATIONS

Bradley Ford. "The 10 Best Cordless Impact Wrenches." Popular Mechanics., Mar. 19, 2020 [online], [retrieved on Jun. 6, 2021].

Retrieved from the Internet <URL: <https://www.popularmechanics.com/home/tools/reviews/g2028/the-best-impact-wrenches/>>.*

(Continued)

Primary Examiner — Darlington Ly
(74) *Attorney, Agent, or Firm* — Global IP Counselors, LLP

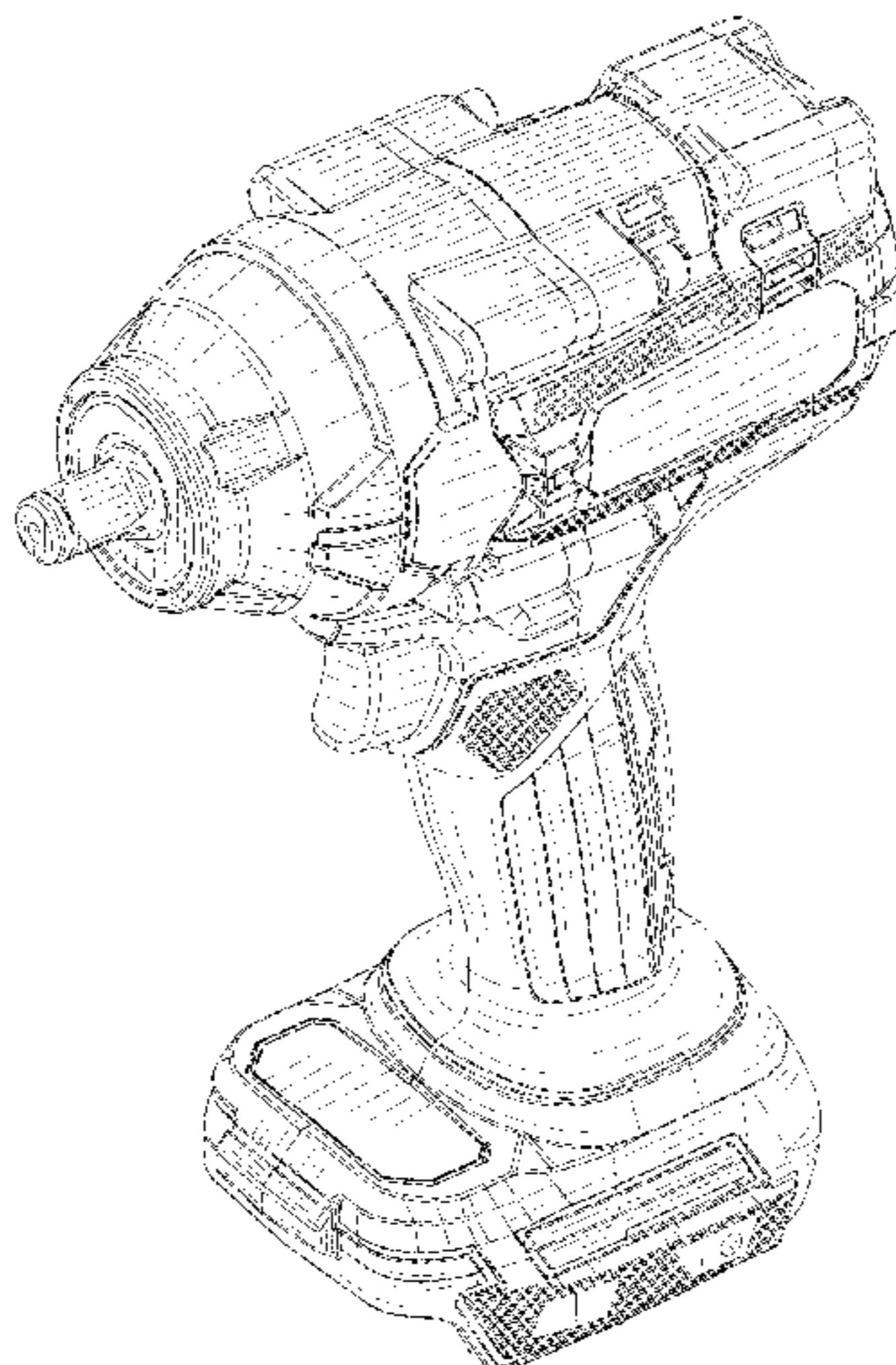
(57) **CLAIM**

The ornamental design for an impact wrench, as shown and described.

DESCRIPTION

FIG. 1 is a front perspective view of an impact wrench in accordance with our new design;
 FIG. 2 is a rear perspective view of the impact wrench in accordance with our new design;
 FIG. 3 is a front elevational view of the impact wrench in accordance with our new design;
 FIG. 4 is a rear elevational view of the impact wrench in accordance with our new design;
 FIG. 5 is a top plan view of the impact wrench in accordance with our new design;
 FIG. 6 is a bottom plan view of the impact wrench in accordance with our new design;
 FIG. 7 is a right side elevational view of the impact wrench in accordance with our new design;
 FIG. 8 is a left side elevational view of the impact wrench in accordance with our new design; and,
 FIG. 9 is a front perspective view of the impact wrench in accordance with our new design illustrating a state in which a battery is attached to the impact wrench.
 The broken lines in the drawings illustrate portions of the impact wrench or an environmental structure (i.e., the battery shown in FIG. 9) that form no part of the claimed design.

1 Claim, 9 Drawing Sheets



(56)

References Cited

U.S. PATENT DOCUMENTS

D437,761 S 2/2001 Okumura et al.
 D461,110 S * 8/2002 Izumisawa D8/68
 D469,673 S * 2/2003 Sliker D8/68
 D476,210 S * 6/2003 Chen D8/68
 D496,243 S * 9/2004 Huang D8/68
 D497,529 S * 10/2004 Price D8/68
 D497,787 S * 11/2004 Liao D8/68
 6,883,619 B1 * 4/2005 Huang B25B 21/02
 173/168
 D507,732 S * 7/2005 Nowak D8/68
 D508,836 S * 8/2005 Schiller D8/68
 D513,690 S * 1/2006 Etter D8/68
 D537,690 S * 3/2007 Su D8/68
 D540,641 S * 4/2007 Clay D8/68
 D574,688 S 8/2008 Yamamoto
 7,673,702 B2 * 3/2010 Johnson B25B 21/00
 173/93
 D664,413 S * 7/2012 Steinfels D8/68
 D716,125 S * 10/2014 Yaschur D8/68

D775,919 S * 1/2017 Lee D8/68
 D899,208 S * 10/2020 Thompson D8/68
 D899,210 S * 10/2020 Thompson D8/68
 D906,076 S * 12/2020 James D8/68

OTHER PUBLICATIONS

“The Best Cordless Impact Wrench Reviews & Buyer’s Guide.”
 Cordless Drill Zone., Feb. 14, 2020 [online], [retrieved on Jun. 6,
 2021]. Retrieved from the Internet <URL: <https://cordlessdrillzone.com/best-cordless-impact-wrench/>>.*
 “10 Best Air Impact Wrench in 2018 [Reviewed After Research].”
 Air Compressor Agency., Feb. 23, 2018 [online], [retrieved on Jun.
 6, 2021]. Retrieved from the Internet <URL: <https://topaircompressorreviews.com/best-air-impact-wrench-reviews/>>.*
 Todd Fratzel. “Impact Driver Head to Head.” Tool Box Buzz., Jun.
 17, 2017 [online], [retrieved on Jun. 6, 2021]. Retrieved from the
 Internet <URL: <https://www.toolboxbuzz.com/cordless-tools/impact-driver/impact-driver-head-to-head/>>.*

* cited by examiner

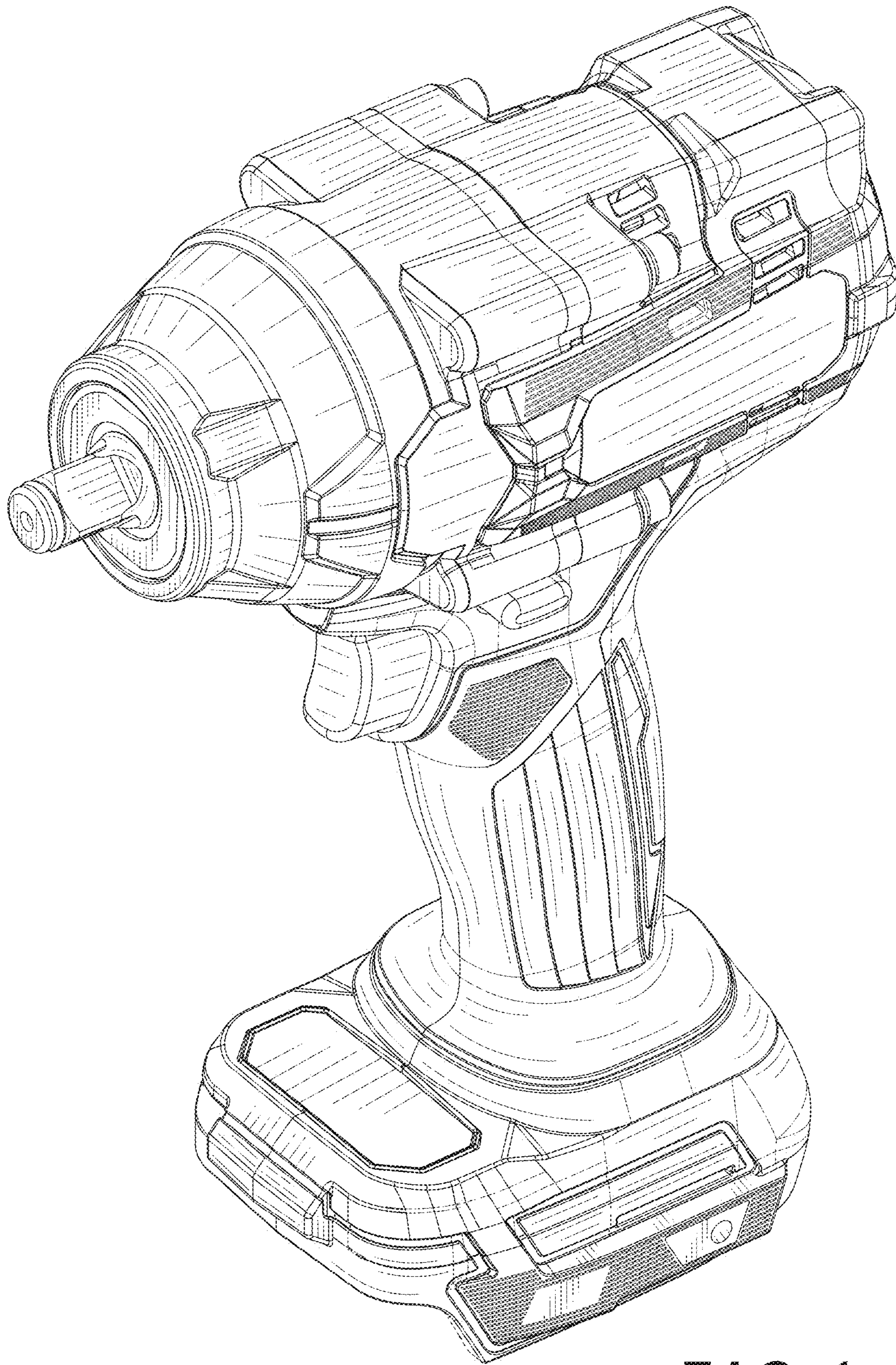


FIG. 1

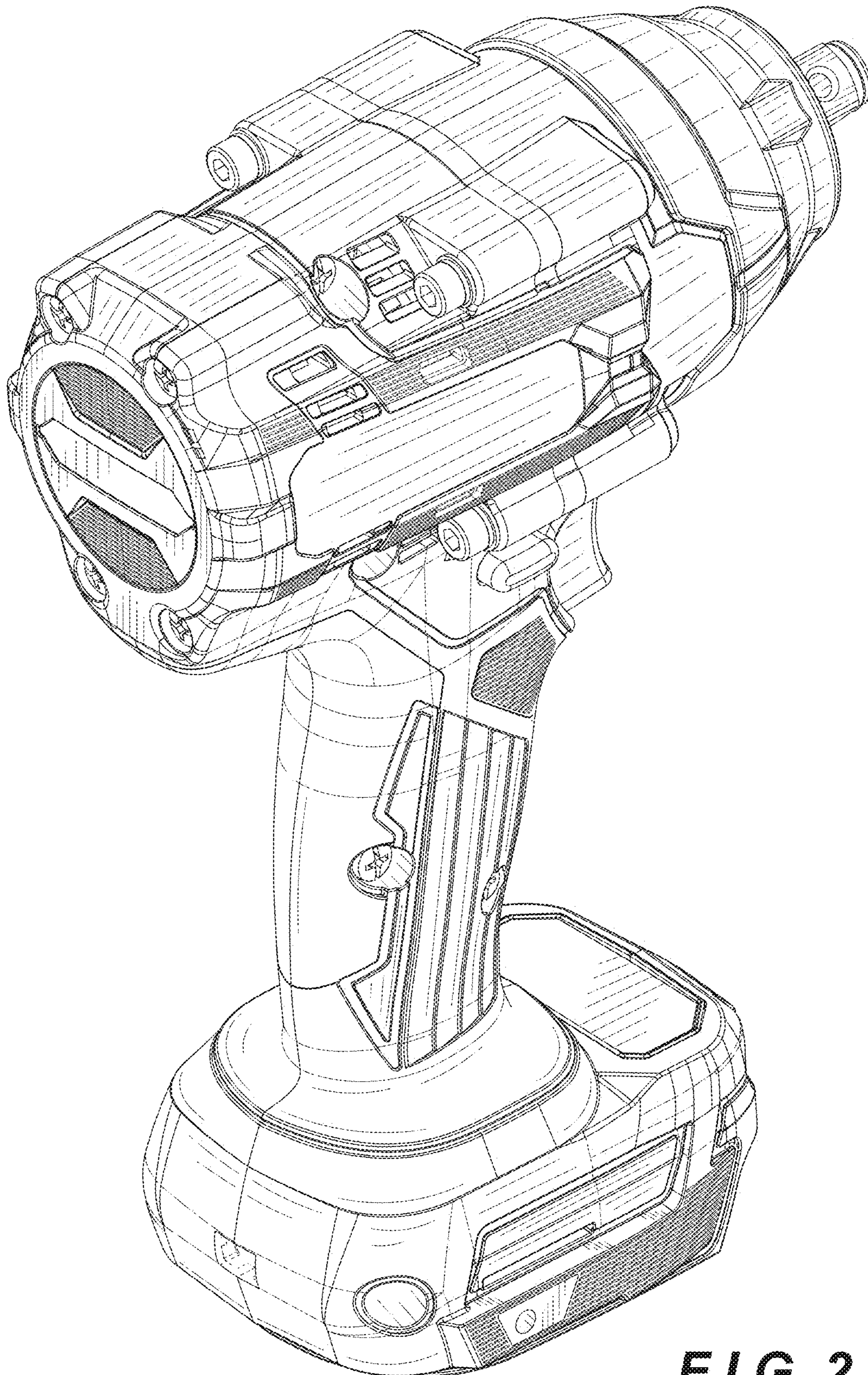


FIG. 2

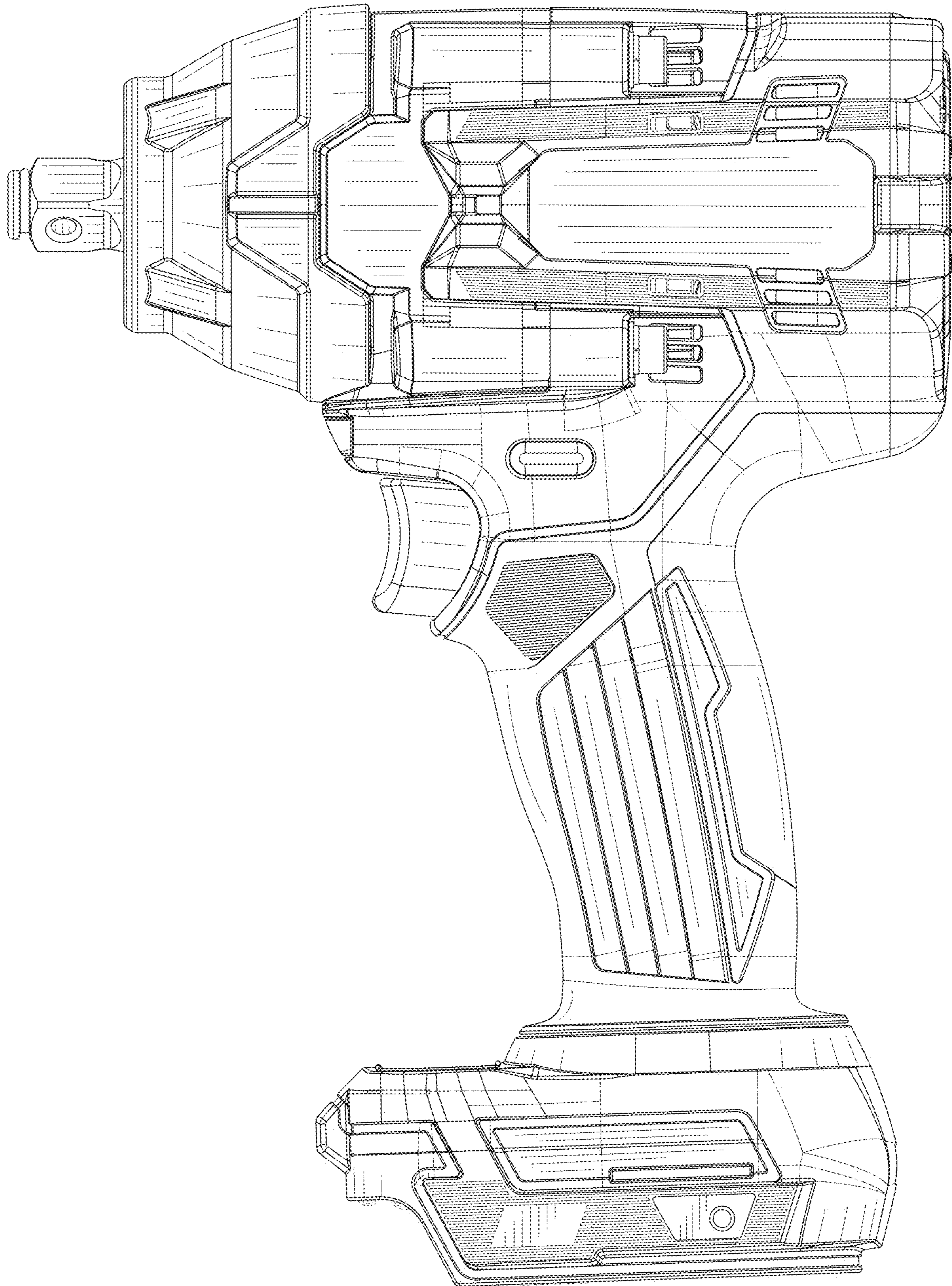


FIG. 3

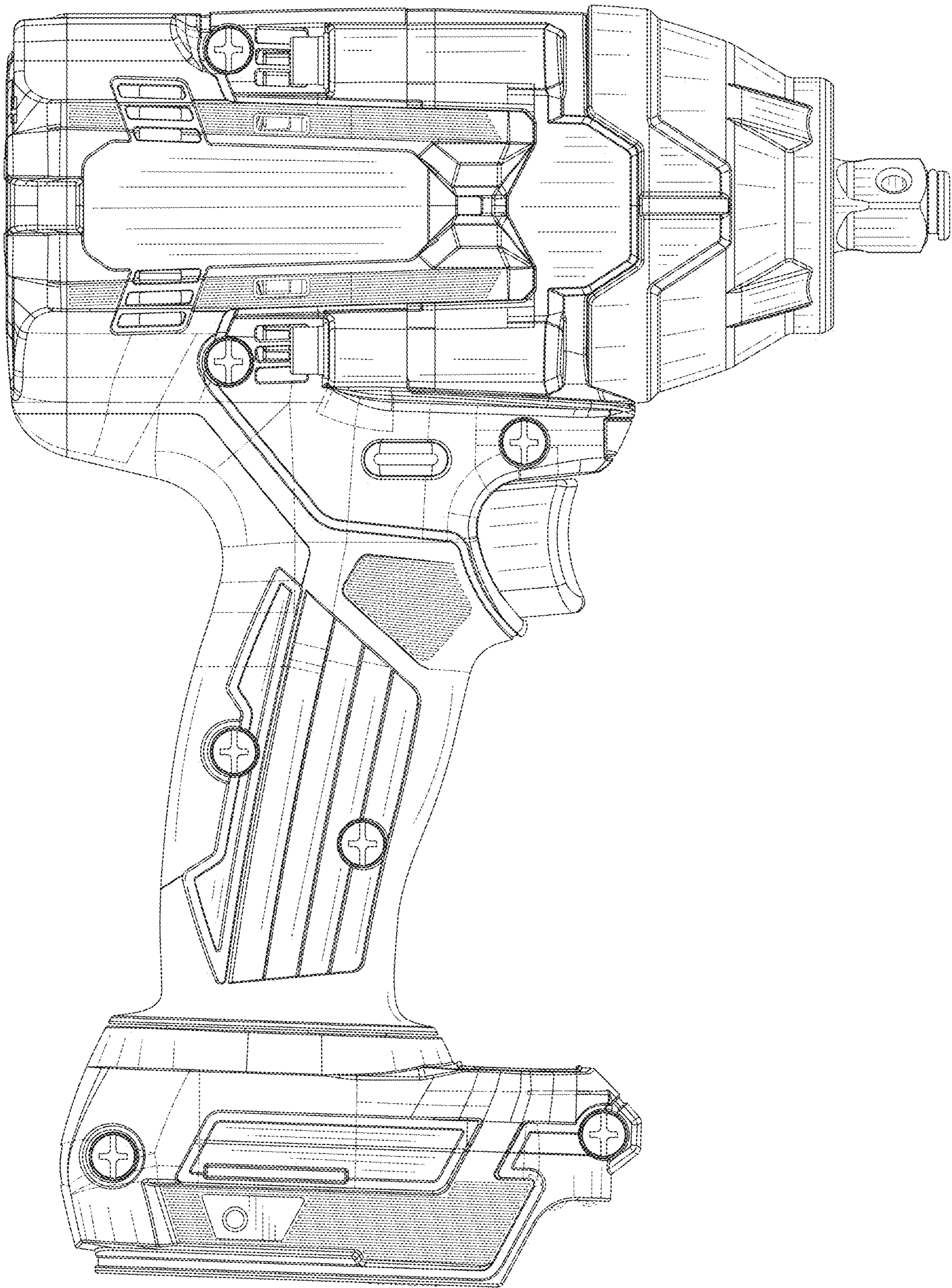


FIG. 4

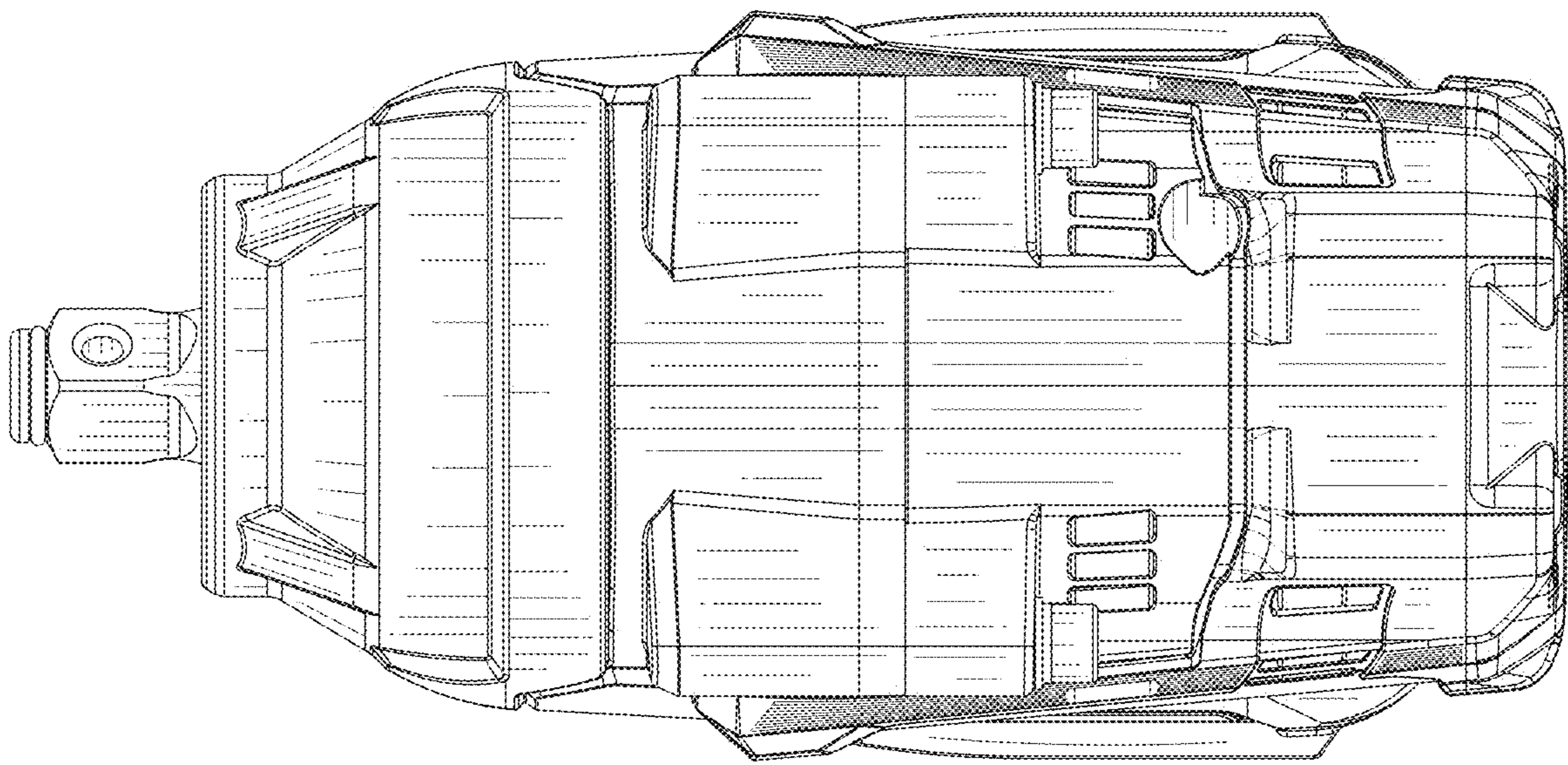


FIG. 5

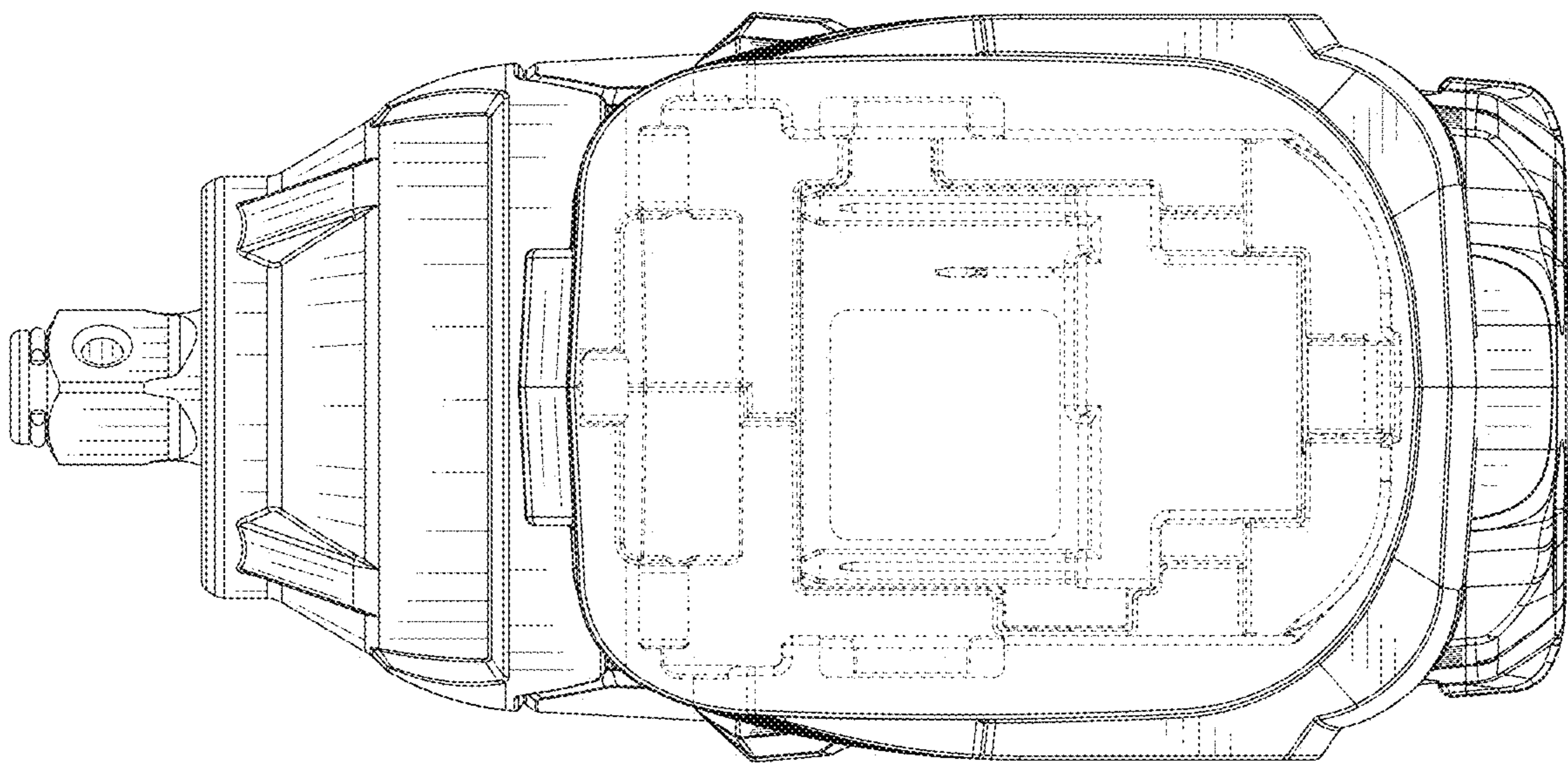


FIG. 6

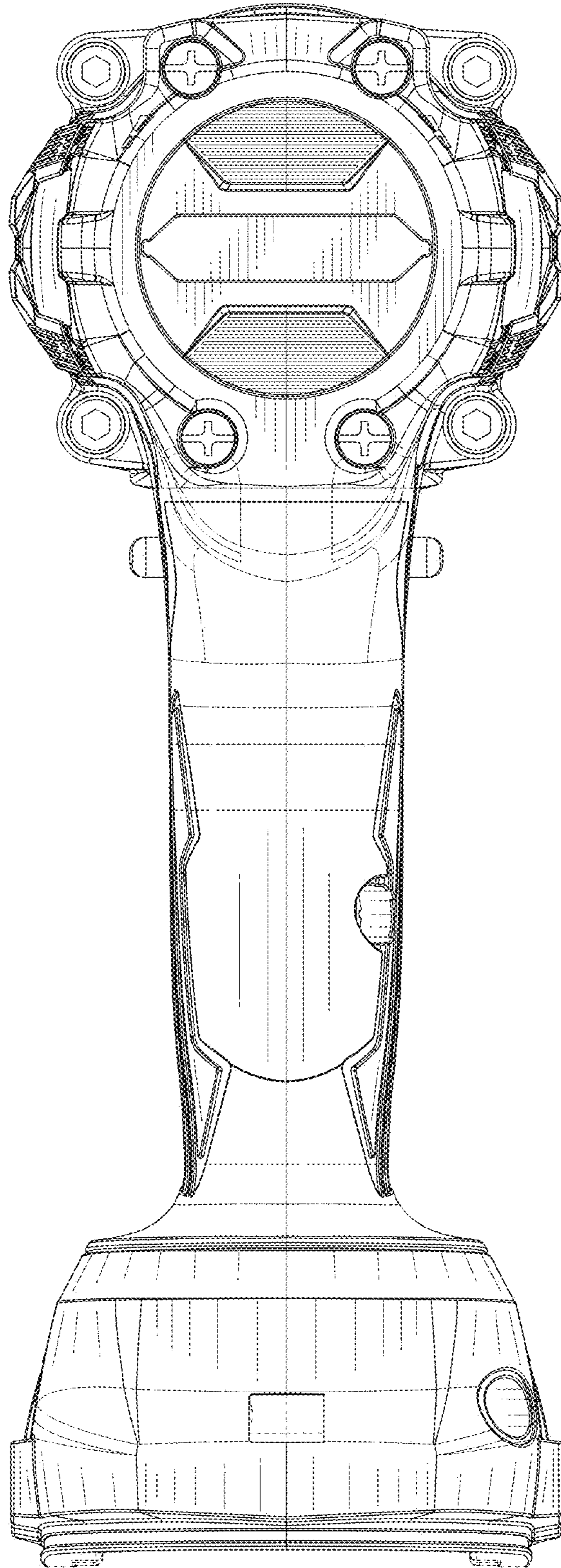


FIG. 7

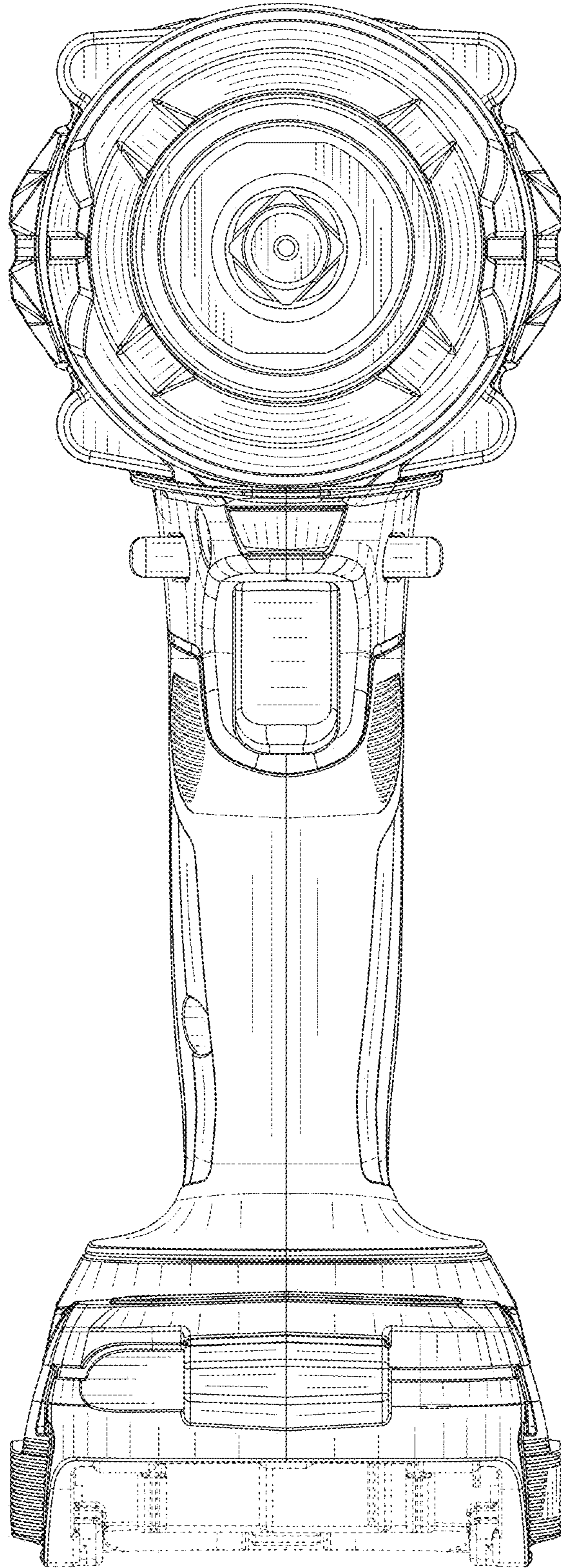


FIG. 8

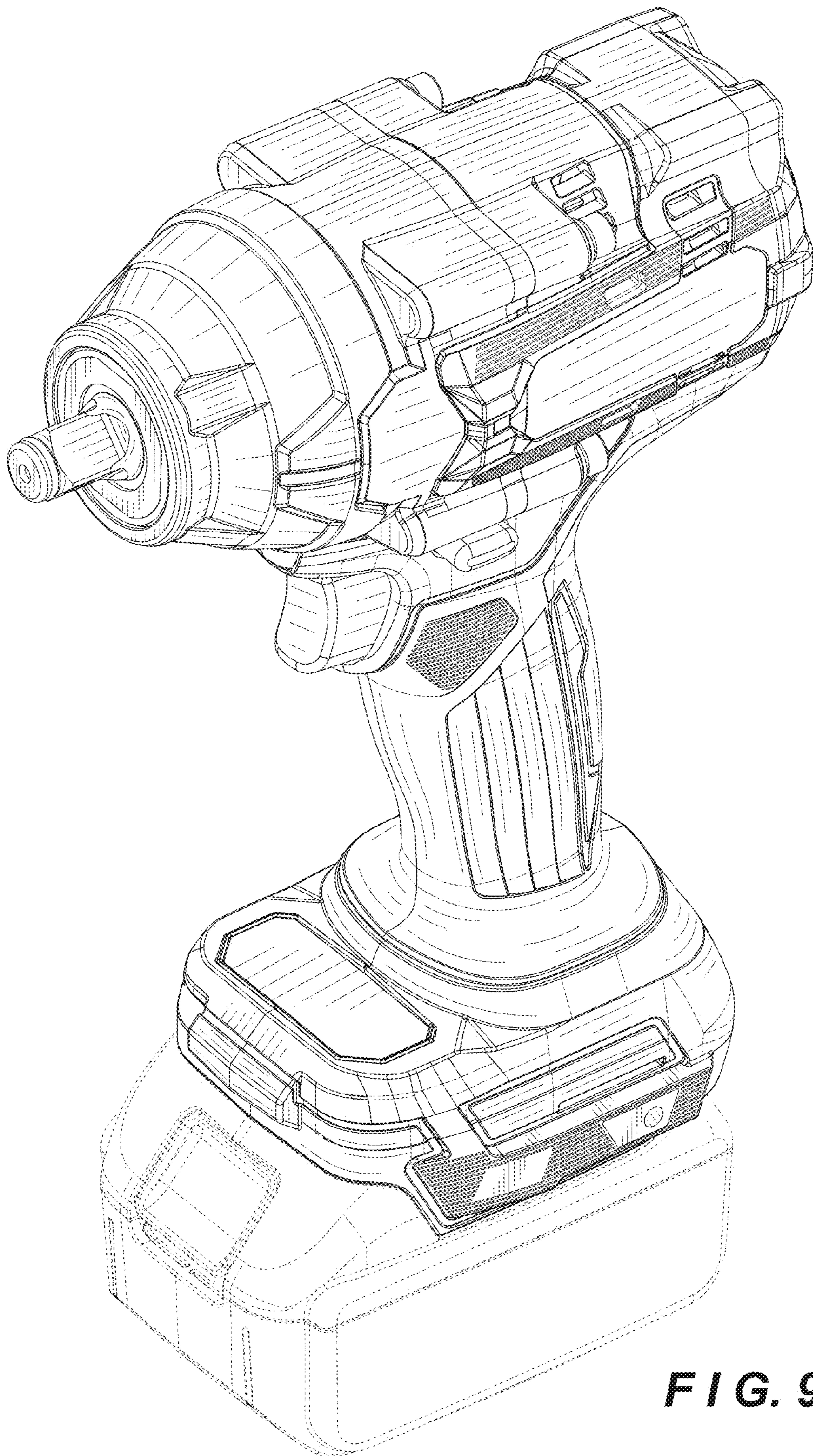


FIG. 9