



US00D936441S

(12) **United States Design Patent** (10) **Patent No.:** **US D936,441 S**  
**Suzuki et al.** (45) **Date of Patent:** **\*\* Nov. 23, 2021**

(54) **IMPACT WRENCH**

(71) Applicant: **MAKITA CORPORATION**, Anjo (JP)

(72) Inventors: **Wataru Suzuki**, Anjo (JP); **Tatsuo Nakashima**, Anjo (JP)

(73) Assignee: **MAKITA CORPORATION**, Anjo (JP)

(\*\*) Term: **15 Years**

(21) Appl. No.: **29/735,237**

(22) Filed: **May 19, 2020**

(30) **Foreign Application Priority Data**

Nov. 21, 2019 (JP) ..... 2019-025832

(51) **LOC (13) Cl.** ..... **08-05**

(52) **U.S. Cl.**  
USPC ..... **D8/68**

(58) **Field of Classification Search**  
USPC ..... D8/61, 67, 68  
CPC .... B62D 23/005; B62D 29/00; B62D 29/043;  
B62D 31/00; B62D 33/046; B62D 35/00;  
B62D 35/001; B60Q 1/0005  
See application file for complete search history.

(56) **References Cited**

**U.S. PATENT DOCUMENTS**

- 5,083,619 A \* 1/1992 Giardino ..... B25B 21/02  
173/104
- D339,726 S \* 9/1993 Bruno ..... D8/68
- D388,678 S \* 1/1998 Bantly ..... D8/68
- D393,580 S \* 4/1998 Bantly ..... D8/68
- D434,297 S \* 11/2000 Iritani ..... D8/68
- D434,958 S \* 12/2000 Izumisawa ..... D8/68
- D436,818 S \* 1/2001 Izumisawa ..... D8/68

(Continued)

**OTHER PUBLICATIONS**

Bradley Ford. "The 10 Best Cordless Impact Wrenches." Popular Mechanics., Mar. 19, 2020 [online], [retrieved on Jun. 6, 2021].

Retrieved from the Internet <URL: <https://www.popularmechanics.com/home/tools/reviews/g2028/the-best-impact-wrenches/>>.\*

(Continued)

*Primary Examiner* — Darlington Ly

(74) *Attorney, Agent, or Firm* — Global IP Counselors, LLP

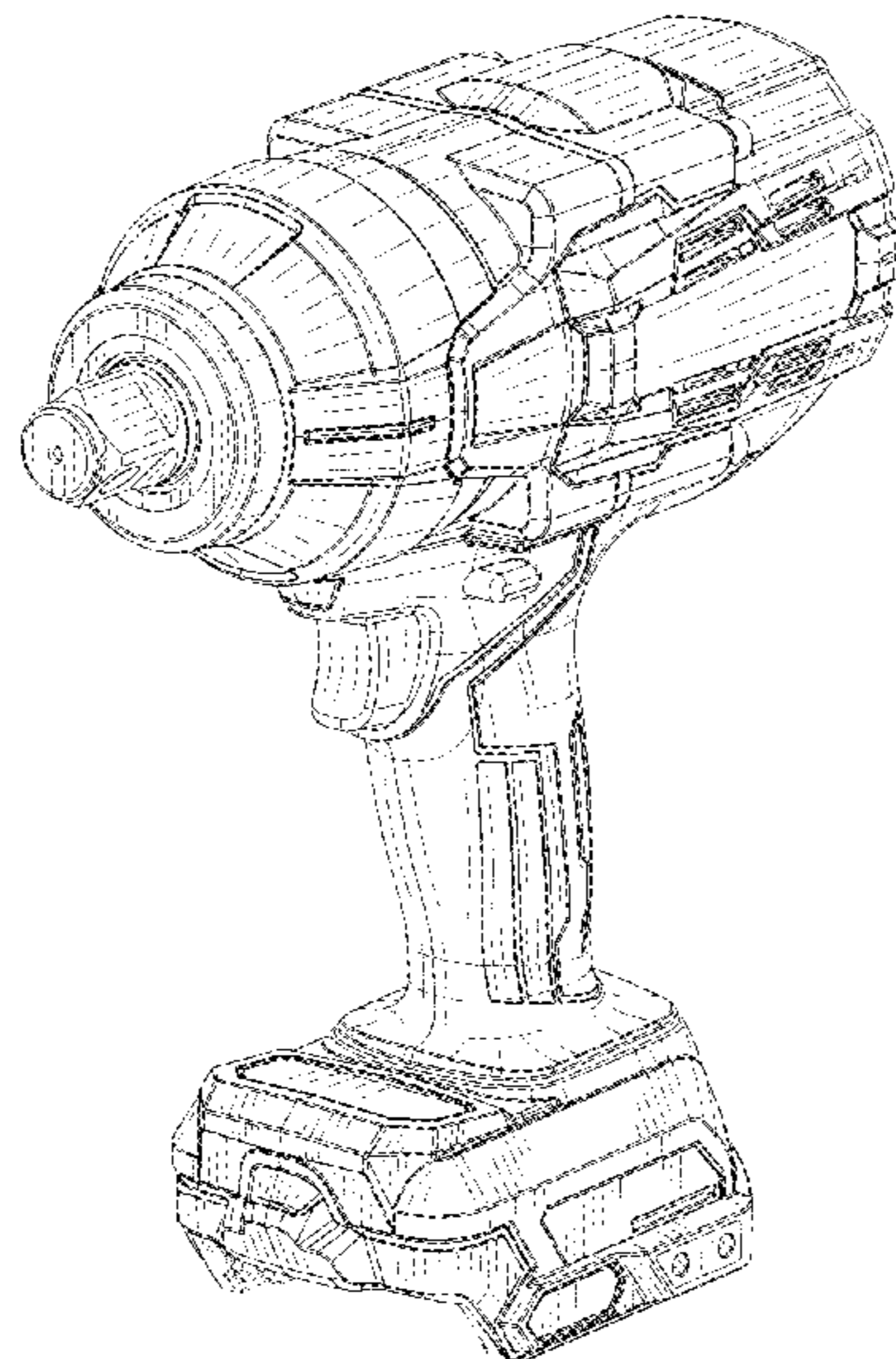
(57) **CLAIM**

The ornamental design for an impact wrench, as shown and described.

**DESCRIPTION**

FIG. 1 is a front perspective view of an impact wrench in accordance with our new design;  
 FIG. 2 is a rear perspective view of the impact wrench in accordance with our new design;  
 FIG. 3 is a front elevational view of the impact wrench in accordance with our new design;  
 FIG. 4 is a rear elevational view of the impact wrench in accordance with our new design;  
 FIG. 5 is a top plan view of the impact wrench in accordance with our new design;  
 FIG. 6 is a bottom plan view of the impact wrench in accordance with our new design;  
 FIG. 7 is a right side elevational view of the impact wrench in accordance with our new design;  
 FIG. 8 is a left side elevational view of the impact wrench in accordance with our new design; and,  
 FIG. 9 is a front perspective view of the impact wrench in accordance with our new design illustrating a state in which a battery is attached to the impact wrench.  
 The broken lines in the drawings illustrate portions of the impact wrench or an environmental structure (i.e., the battery shown in FIG. 9) that form no part of the claimed design.

**1 Claim, 9 Drawing Sheets**



(56)

References Cited

U.S. PATENT DOCUMENTS

D437,761 S 2/2001 Okumura et al.  
 D461,110 S \* 8/2002 Izumisawa ..... D8/68  
 D469,673 S \* 2/2003 Sliker ..... D8/68  
 D476,210 S \* 6/2003 Chen ..... D8/68  
 D496,243 S \* 9/2004 Huang ..... D8/68  
 D497,529 S \* 10/2004 Price ..... D8/68  
 D497,787 S \* 11/2004 Liao ..... D8/68  
 6,883,619 B1 \* 4/2005 Huang ..... B25B 21/02  
 173/168  
 D507,732 S \* 7/2005 Nowak ..... D8/68  
 D508,836 S \* 8/2005 Schiller ..... D8/68  
 D513,690 S \* 1/2006 Etter ..... D8/68  
 D537,690 S \* 3/2007 Su ..... D8/68  
 D540,641 S \* 4/2007 Clay ..... D8/68  
 D574,688 S 8/2008 Yamamoto  
 7,673,702 B2 \* 3/2010 Johnson ..... B25B 21/00  
 173/93  
 D664,413 S \* 7/2012 Steinfels ..... D8/68  
 D716,125 S \* 10/2014 Yaschur ..... D8/68

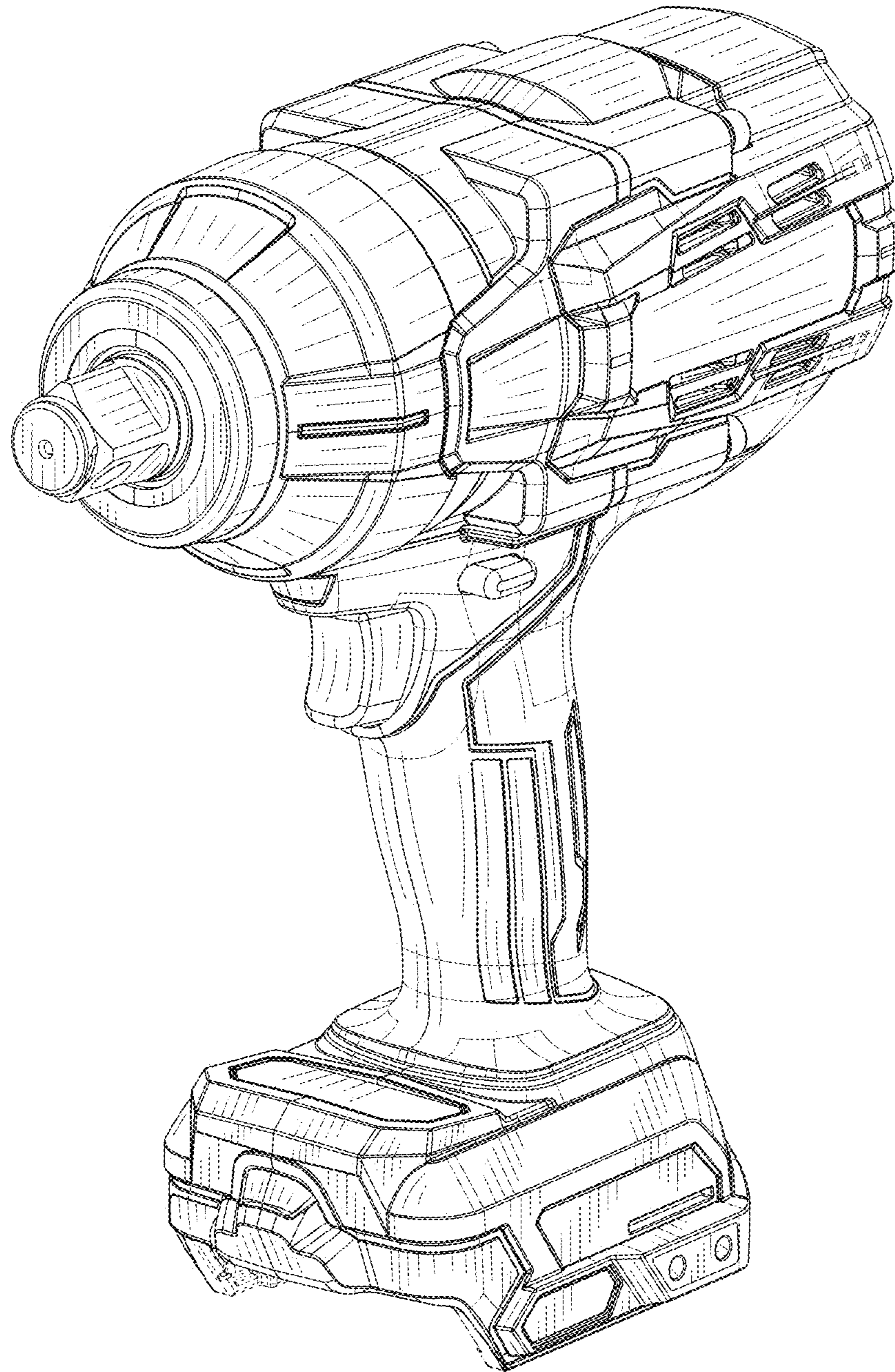
D775,919 S \* 1/2017 Lee ..... D8/68  
 D899,208 S \* 10/2020 Thompson ..... D8/68  
 D899,210 S \* 10/2020 Thompson ..... D8/68  
 D906,076 S \* 12/2020 James ..... D8/68

OTHER PUBLICATIONS

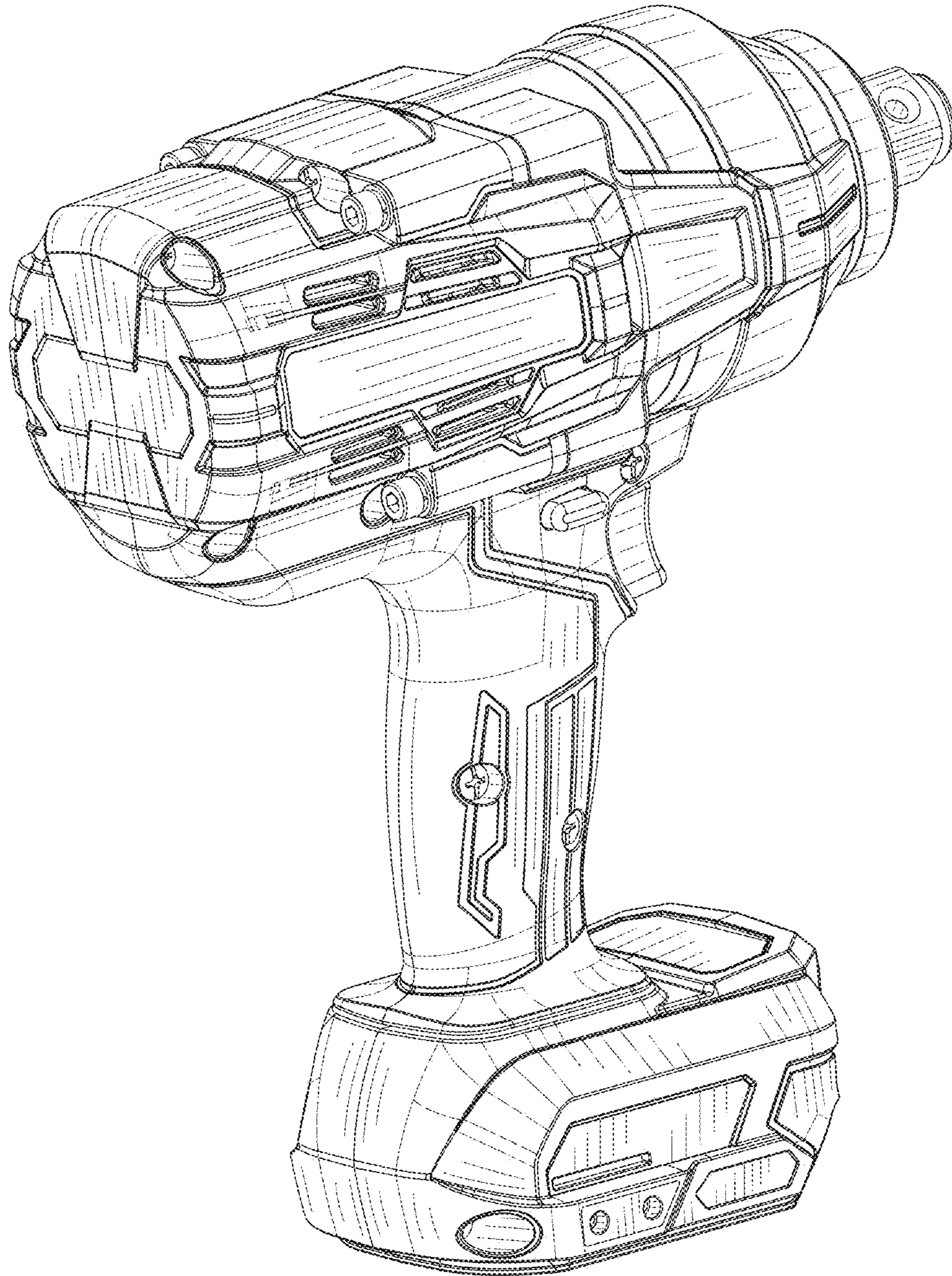
“The Best Cordless Impact Wrench Reviews & Buyer’s Guide.”  
 Cordless Drill Zone., Feb. 14, 2020 [online], [retrieved on Jun. 6,  
 2021]. Retrieved from the Internet <URL: <https://cordlessdrillzone.com/best-cordless-impact-wrench/>>.\*  
 “10 Best Air Impact Wrench in 2018 [ Reviewed After Research ].”  
 Air Compressor Agency., Feb. 23, 2018 [online], [retrieved on Jun.  
 6, 2021]. Retrieved from the Internet <URL: <https://topaircompressorreviews.com/best-air-impact-wrench-reviews/>>.\*  
 Todd Fratzel. “Impact Driver Head to Head.” Tool Box Buzz., Jun.  
 17, 2017 [online], [retrieved on Jun. 6, 2021]. Retrieved from the  
 Internet <URL: <https://www.toolboxbuzz.com/cordless-tools/impact-driver/impact-driver-head-to-head/>>.\*

\* cited by examiner



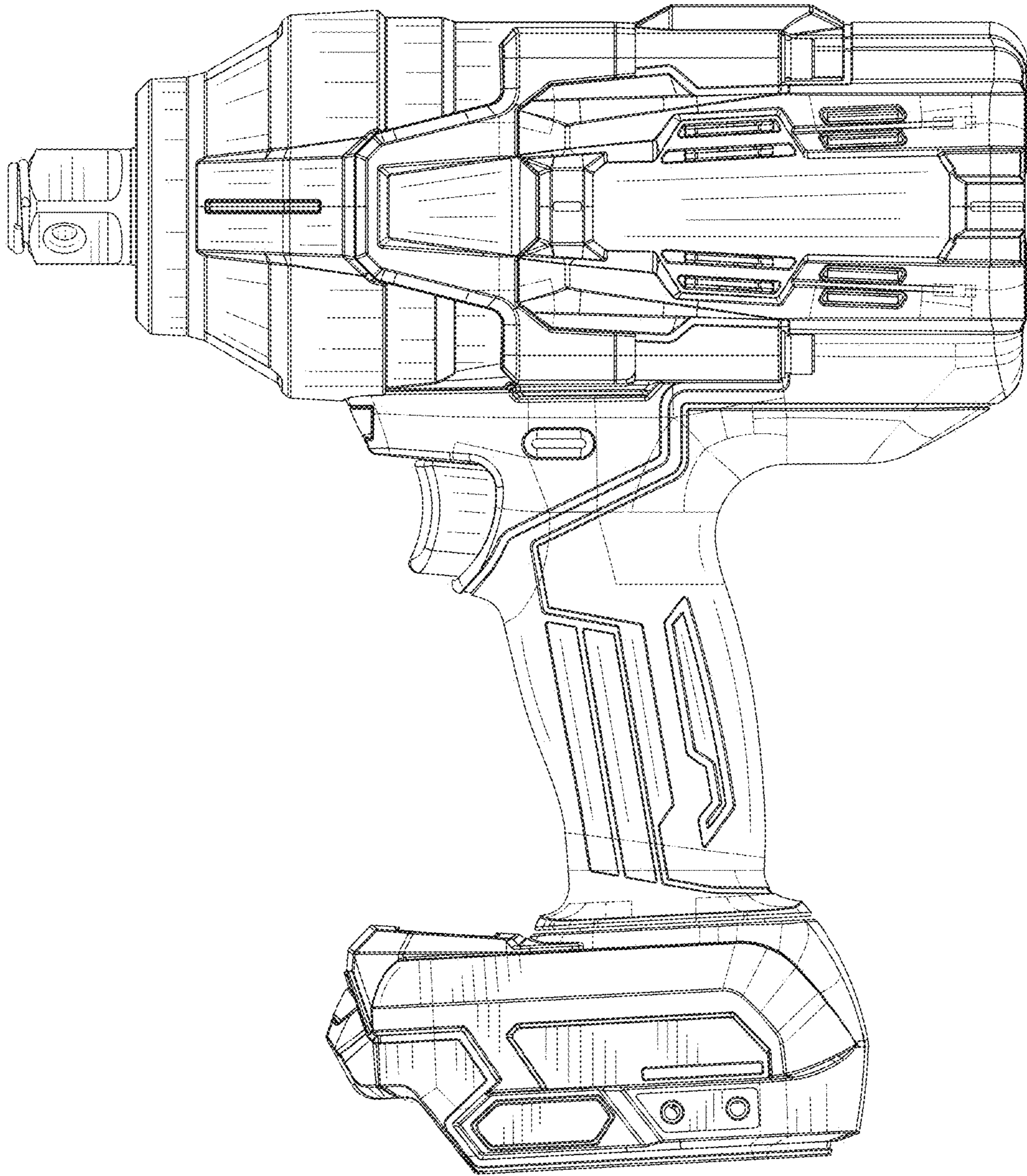


**FIG. 1**

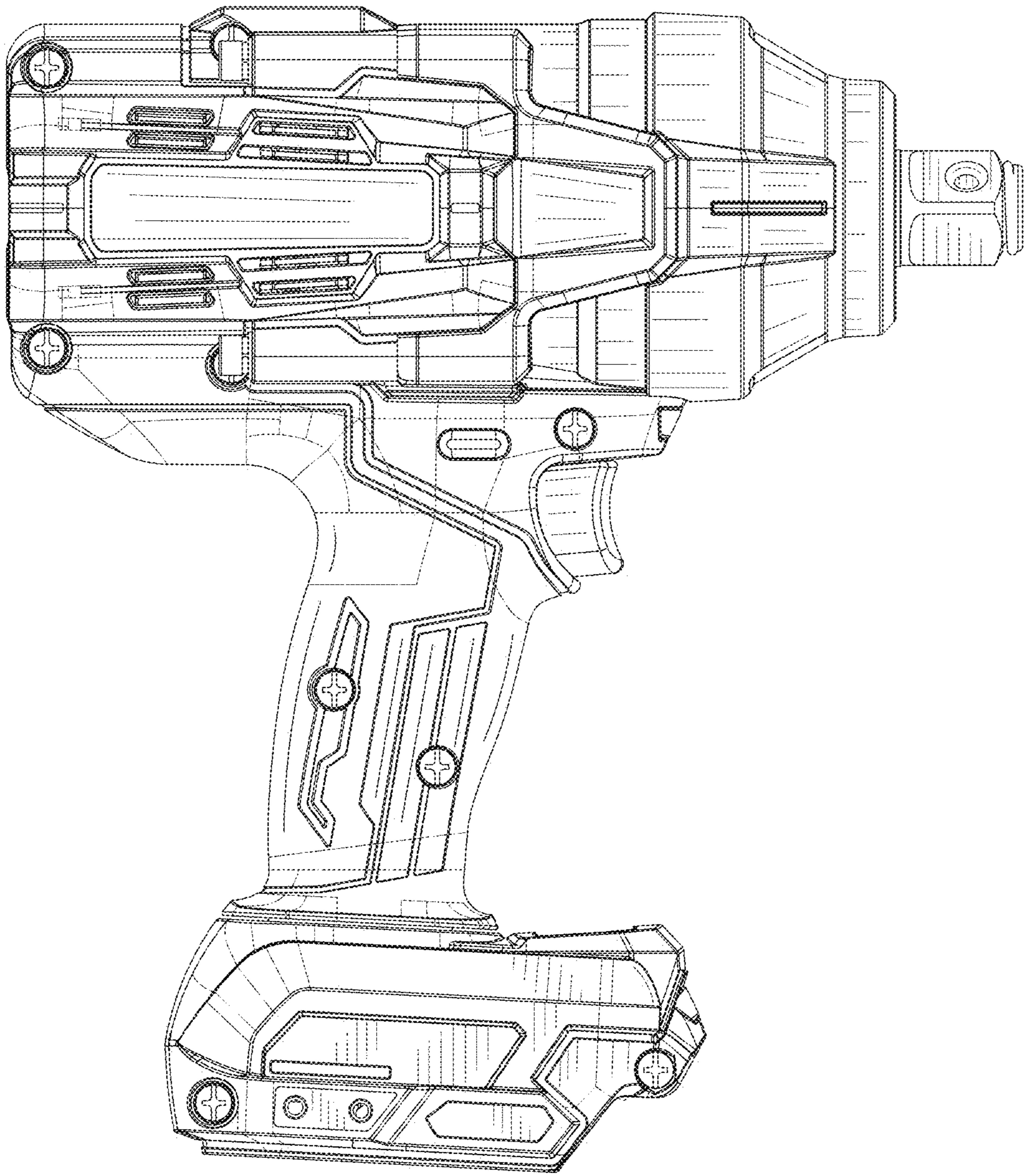


**FIG. 2**

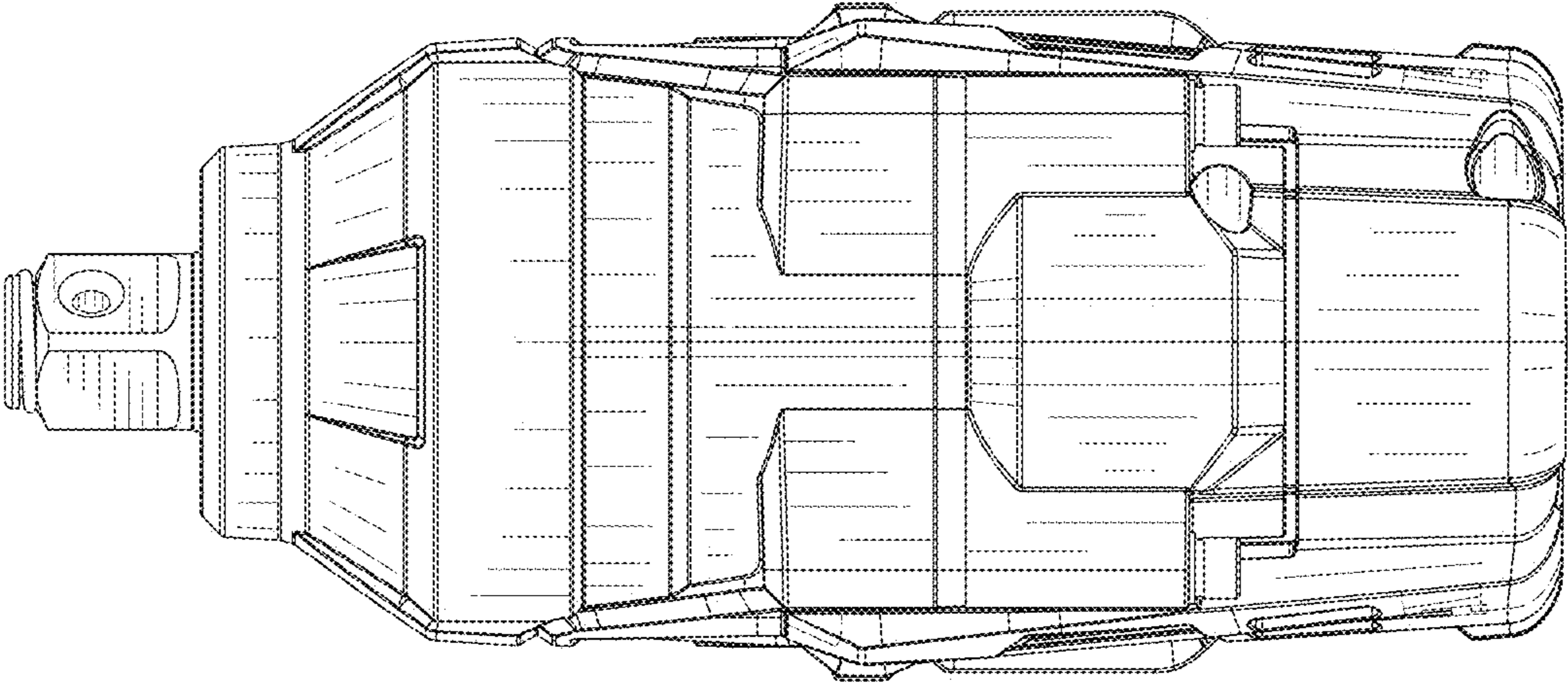




**FIG. 3**

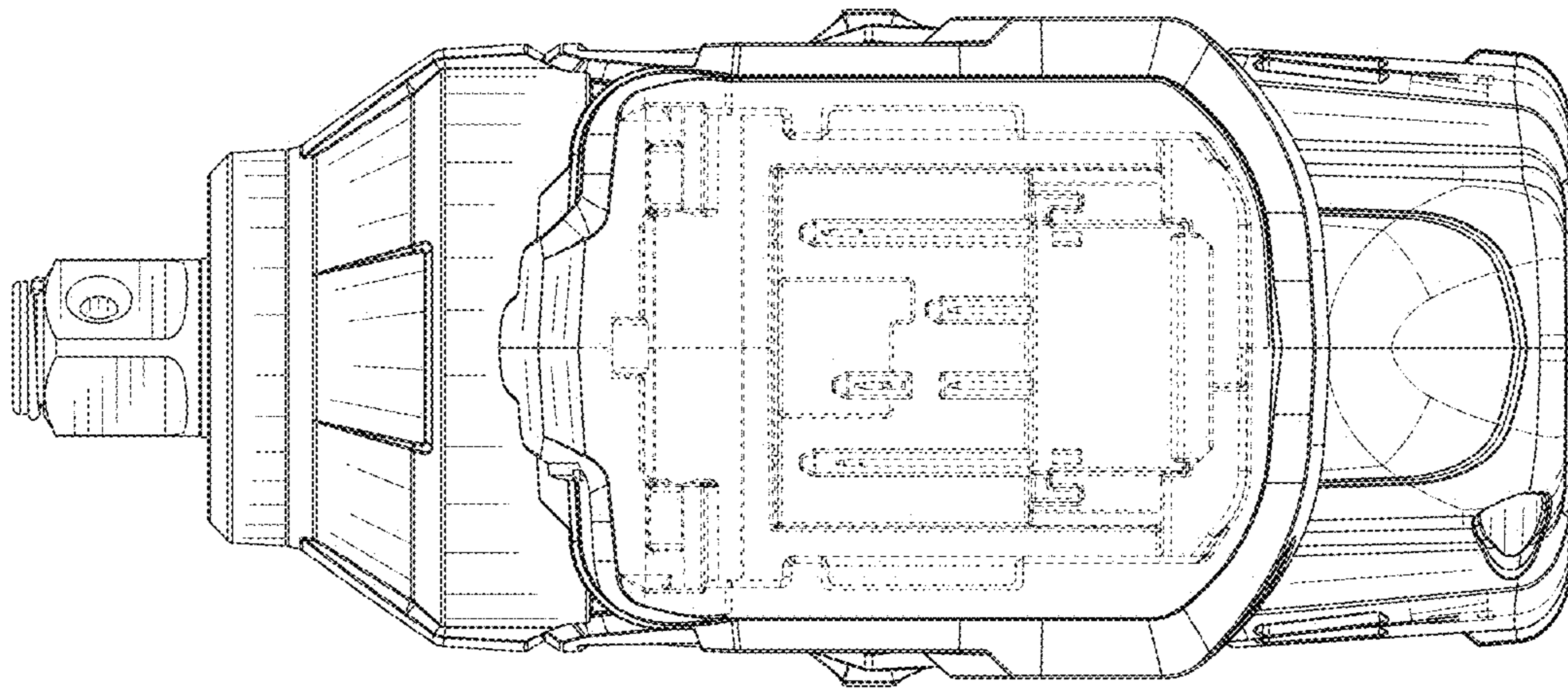


**FIG. 4**



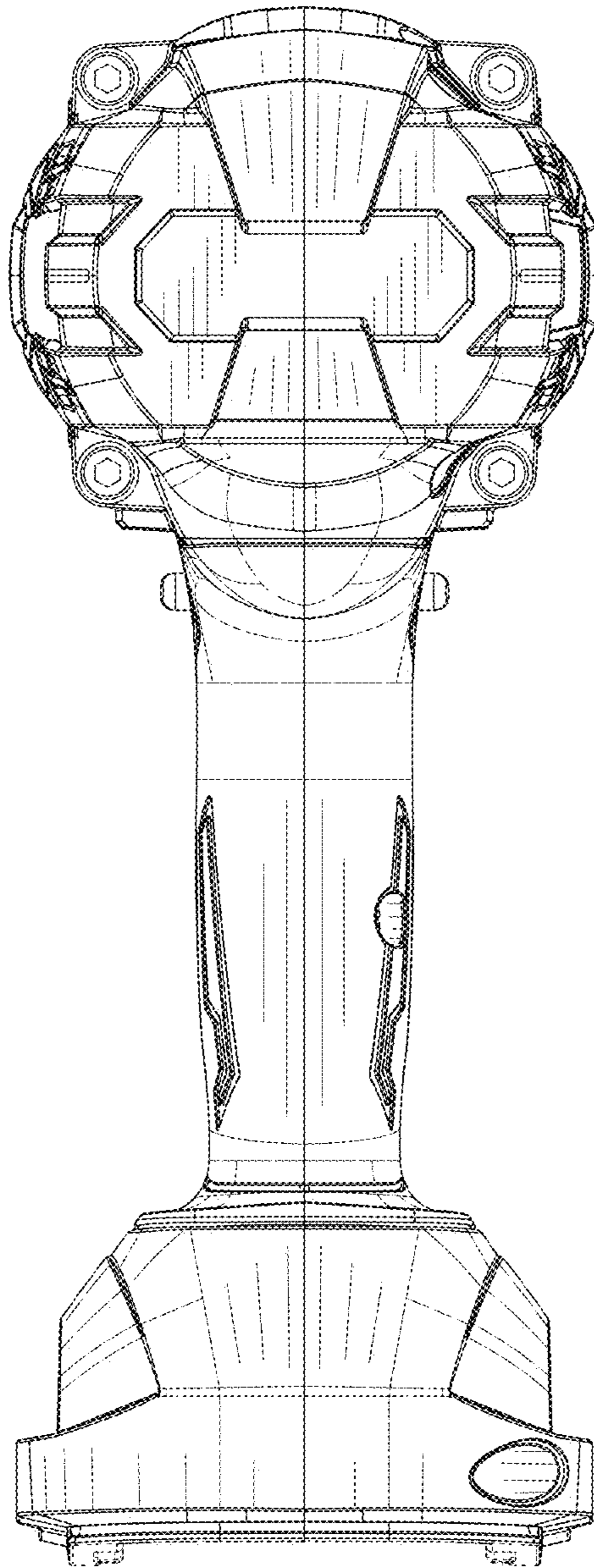
**FIG. 5**



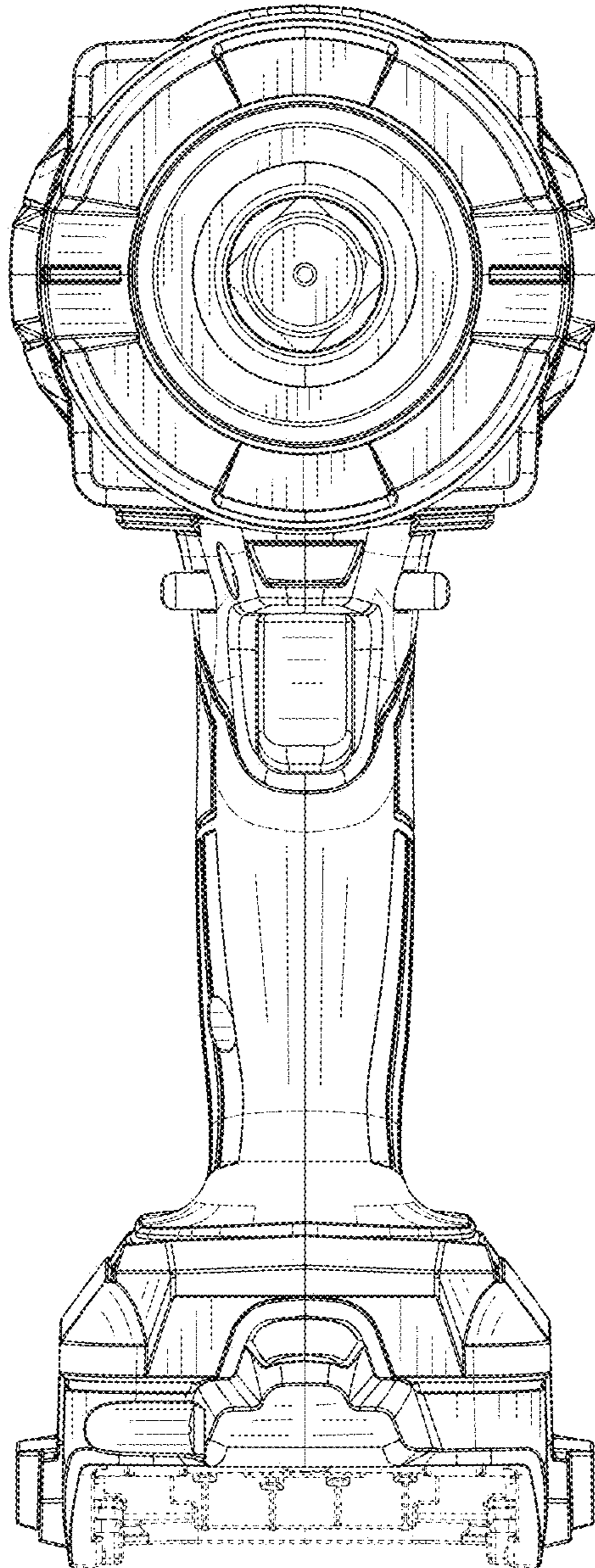


**FIG. 6**



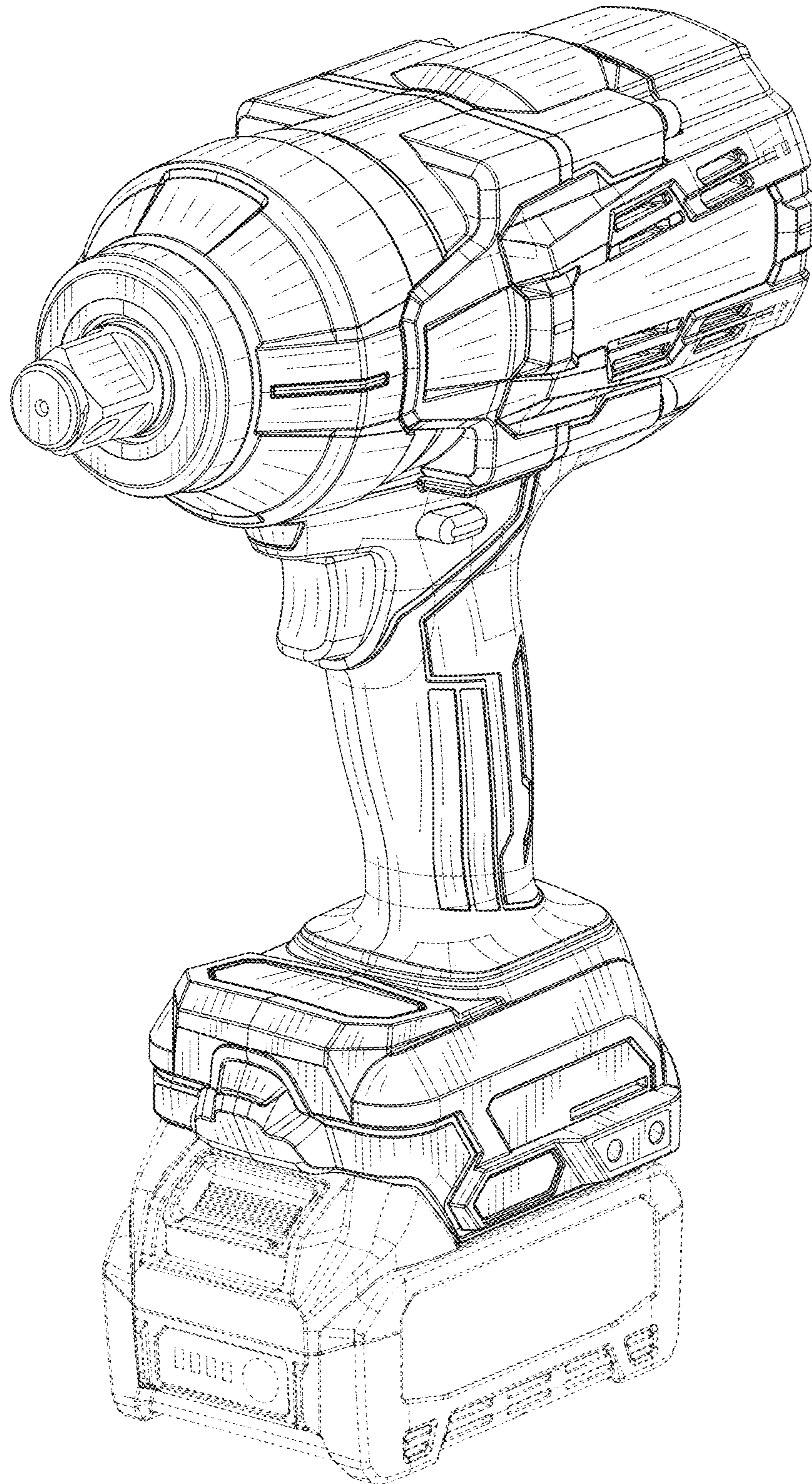


**FIG. 7**



**FIG. 8**





**FIG. 9**