



US00D936440S

(12) **United States Design Patent**
Ito et al.

(10) **Patent No.:** **US D936,440 S**

(45) **Date of Patent:** **** Nov. 23, 2021**

(54) **PORTABLE ELECTRIC GRINDER**

(71) Applicant: **MAKITA CORPORATION**, Anjo (JP)

(72) Inventors: **Shigeki Ito**, Anjo (JP); **Yu Eto**, Anjo (JP)

(73) Assignee: **MAKITA CORPORATION**, Anjo (JP)

(**) Term: **15 Years**

(21) Appl. No.: **29/729,174**

(22) Filed: **Mar. 24, 2020**

(30) **Foreign Application Priority Data**

Sep. 25, 2019 (JP) 2019-021393

(51) **LOC (13) Cl.** **08-05**

(52) **U.S. Cl.**
USPC **D8/62**

(58) **Field of Classification Search**
USPC D8/64, 62, 61, 65, 66, 67, 69; 81/57.26,
81/464, 469

CPC B22F 2005/001; B22F 7/06; B23K 35/286;
B23K 35/325; B24D 3/06; B24D 5/02

See application file for complete search history.

(56) **References Cited**

U.S. PATENT DOCUMENTS

D544,325 S *	6/2007	Wright	D8/62
D548,034 S *	8/2007	Hayakawa	D8/62
D592,026 S *	5/2009	Okuda	D8/62
D634,170 S *	3/2011	Hu	D8/62
D637,056 S *	5/2011	Schomisch	D8/62
D637,057 S *	5/2011	Schomisch	D8/62
D660,119 S *	5/2012	Fukumoto	D8/62
D685,241 S *	7/2013	Waldron	D8/62
D707,515 S *	6/2014	Trochum	D8/62
D707,516 S *	6/2014	Aglassinger	D8/62

D707,517 S *	6/2014	Aglassinger	D8/62
D707,518 S *	6/2014	Tagscherer	D8/62
D708,031 S *	7/2014	Aglassinger	D8/62
D710,170 S *	8/2014	Aglassinger	D8/62
D710,171 S *	8/2014	Aglassinger	D8/62
D715,616 S *	10/2014	Aglassinger	D8/62

(Continued)

OTHER PUBLICATIONS

Makita DGA452Z 18 V, Mar. 11, 2021, Amazon.uk.co, Nov. 26, 2008, <https://www.amazon.co.uk/Makita-DGA452Z-Li-ion-Naked-Grinder/dp/B000GJTDI0> (Year: 2008).*

(Continued)

Primary Examiner — Janice Hallmark

Assistant Examiner — Elizabeth S Ko

(74) *Attorney, Agent, or Firm* — Global IP Counselors, LLP

(57) **CLAIM**

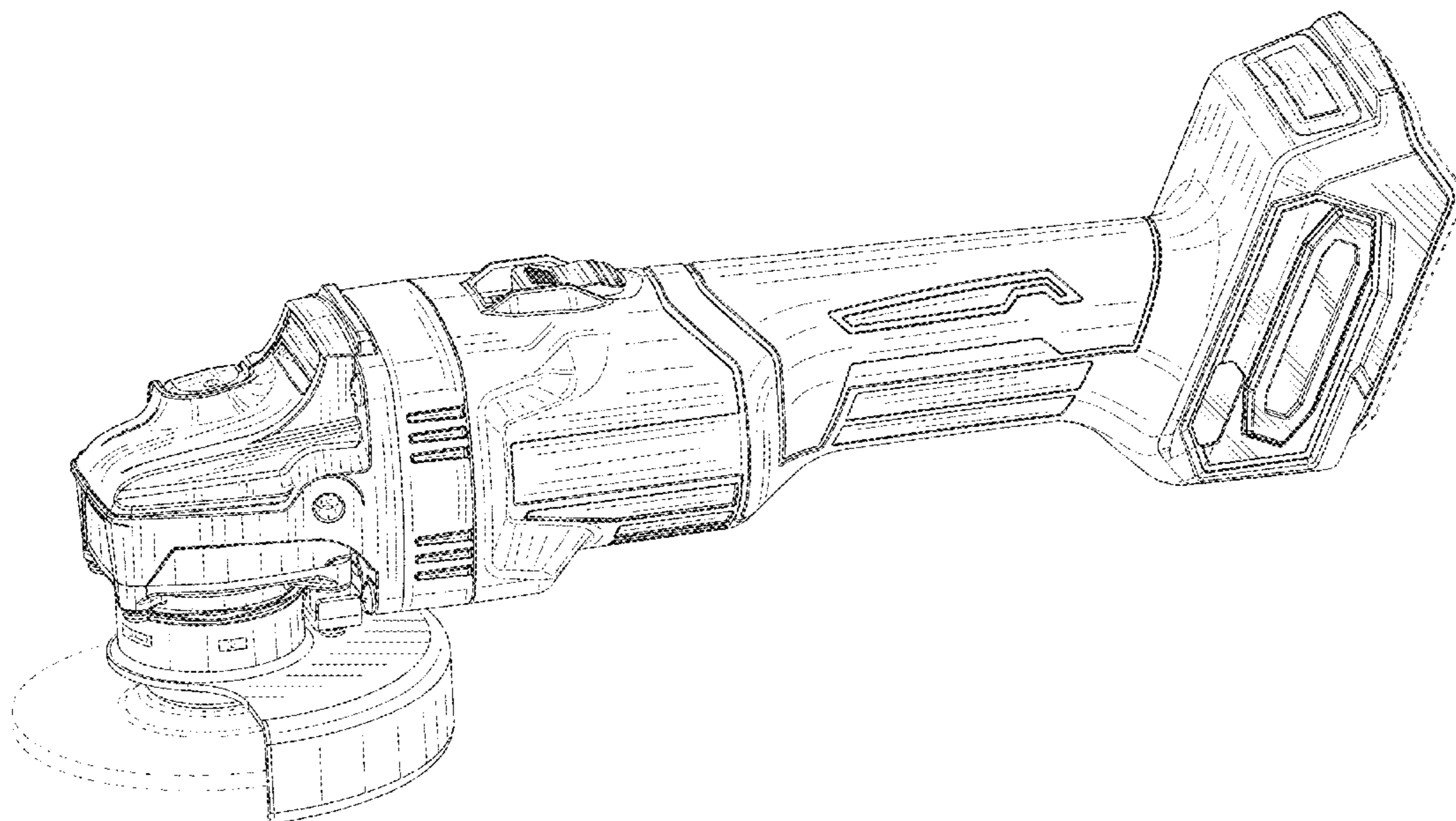
The ornamental design for a portable electric grinder, as shown and described.

DESCRIPTION

FIG. 1 is a front perspective view of a portable electric grinder in accordance with our new design; FIG. 2 is a rear perspective view thereof; FIG. 3 is a front elevational view thereof; FIG. 4 is a rear elevational view thereof; FIG. 5 is a top plan view thereof; FIG. 6 is a bottom plan view thereof; FIG. 7 is a right side elevational view thereof; FIG. 8 is a left side elevational view thereof; and, FIG. 9 is a front perspective view of the portable electric grinder in a state of use in which a battery is attached to the portable electric grinder.

The broken lines illustrate environmental subject matter or unclaimed portions of the portable electric grinder, and form no part of the claimed design.

1 Claim, 9 Drawing Sheets



(56)

References Cited

U.S. PATENT DOCUMENTS

D722,853 S	2/2015	Takahashi et al.	
D813,631 S *	3/2018	Croghan	D8/62
D824,231 S *	7/2018	Waldron	D8/62
D830,802 S *	10/2018	Okuda	D8/62
D832,254 S *	10/2018	Aglassinger	D14/372
D863,014 S *	10/2019	Gu	D8/62
D891,892 S *	8/2020	Fischer	D8/62
D892,584 S *	8/2020	Matteo	D8/62

OTHER PUBLICATIONS

Milwaukee Tool, Mar. 11, 2021, [msdirect.com](https://www.msdirect.com), Mar. 11, 2021, <https://www.msdirect.com/product/details/77794642> (Year: 2021).*

Angle Grinder, WESCO, Mar. 11, 2021, [Amazon.uk.co](https://www.amazon.co.uk), Mar. 3, 2020, <https://www.amazon.co.uk/Wesco-WESCO-18V-Angle-Grinder/dp/B085DPBJR4> (Year: 2020).*

* cited by examiner

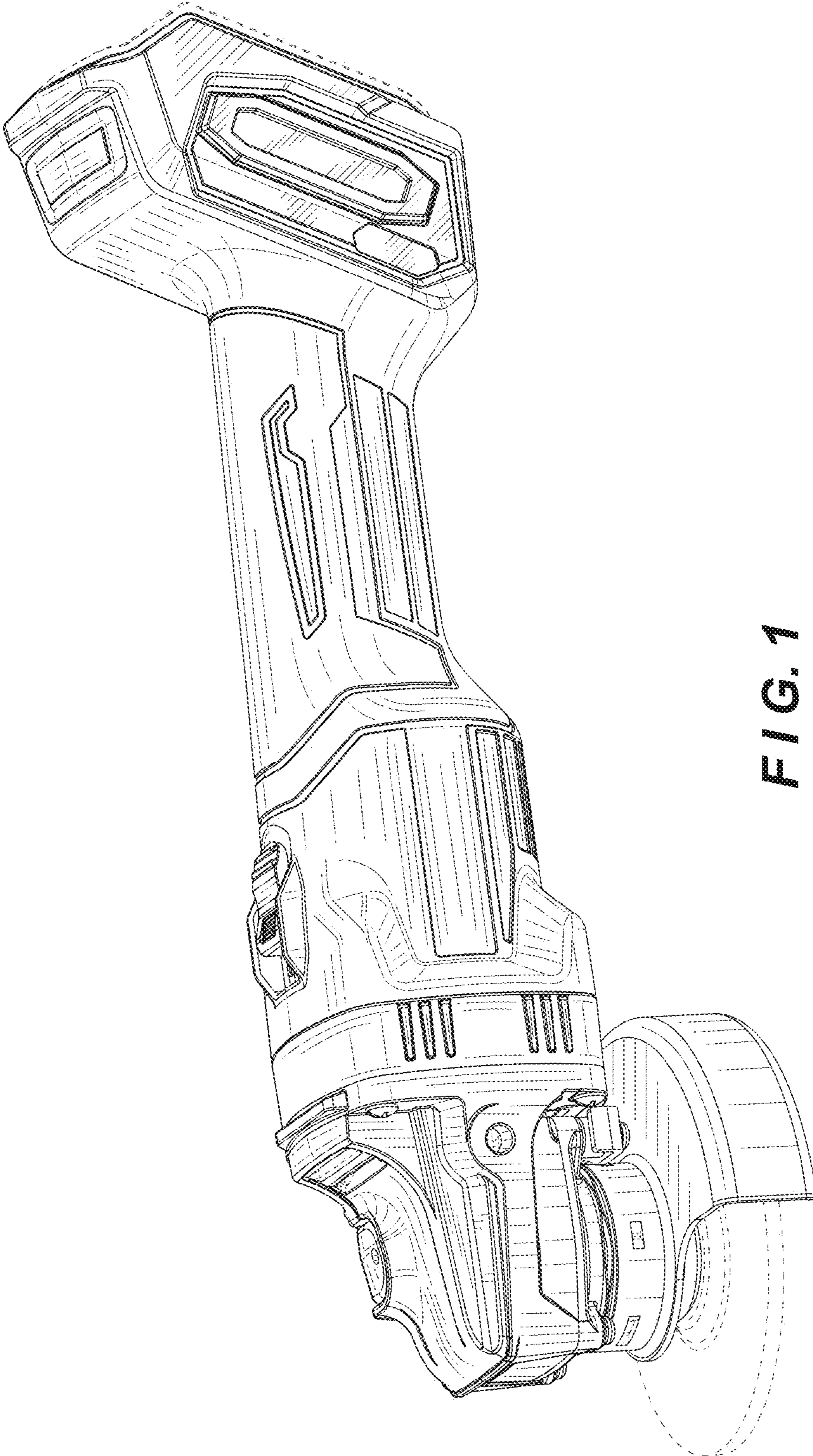


FIG. 1

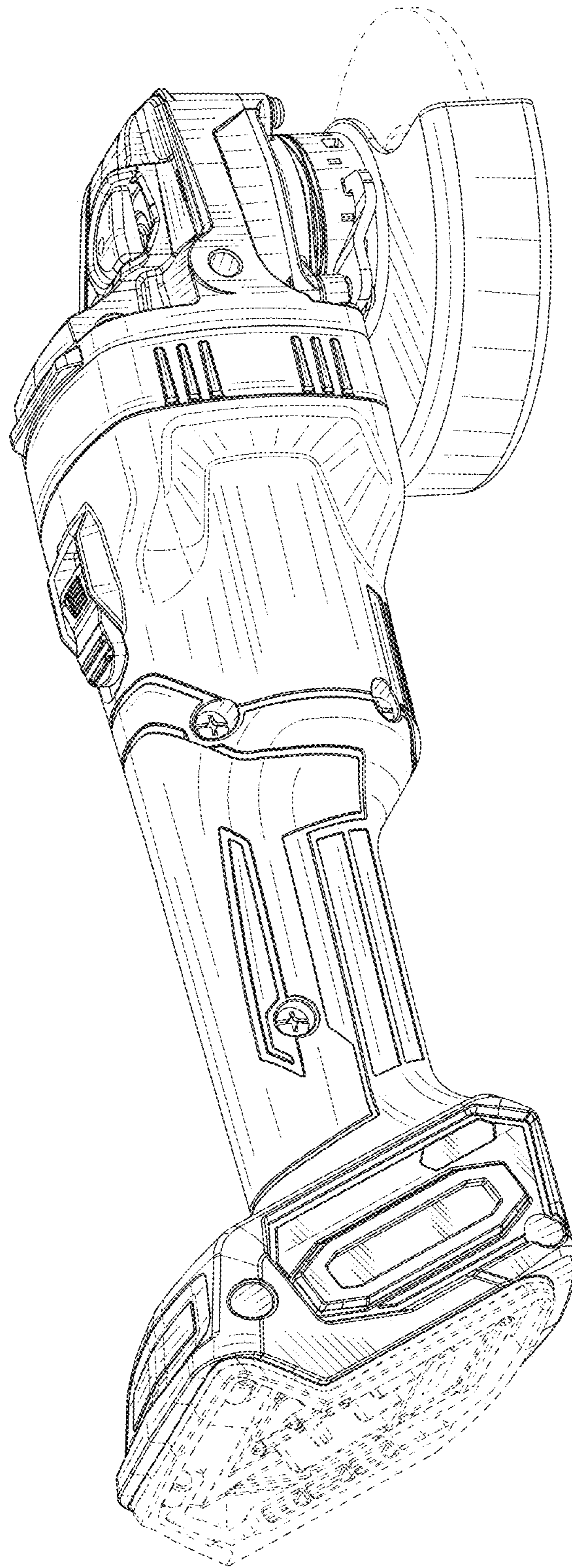


FIG. 2

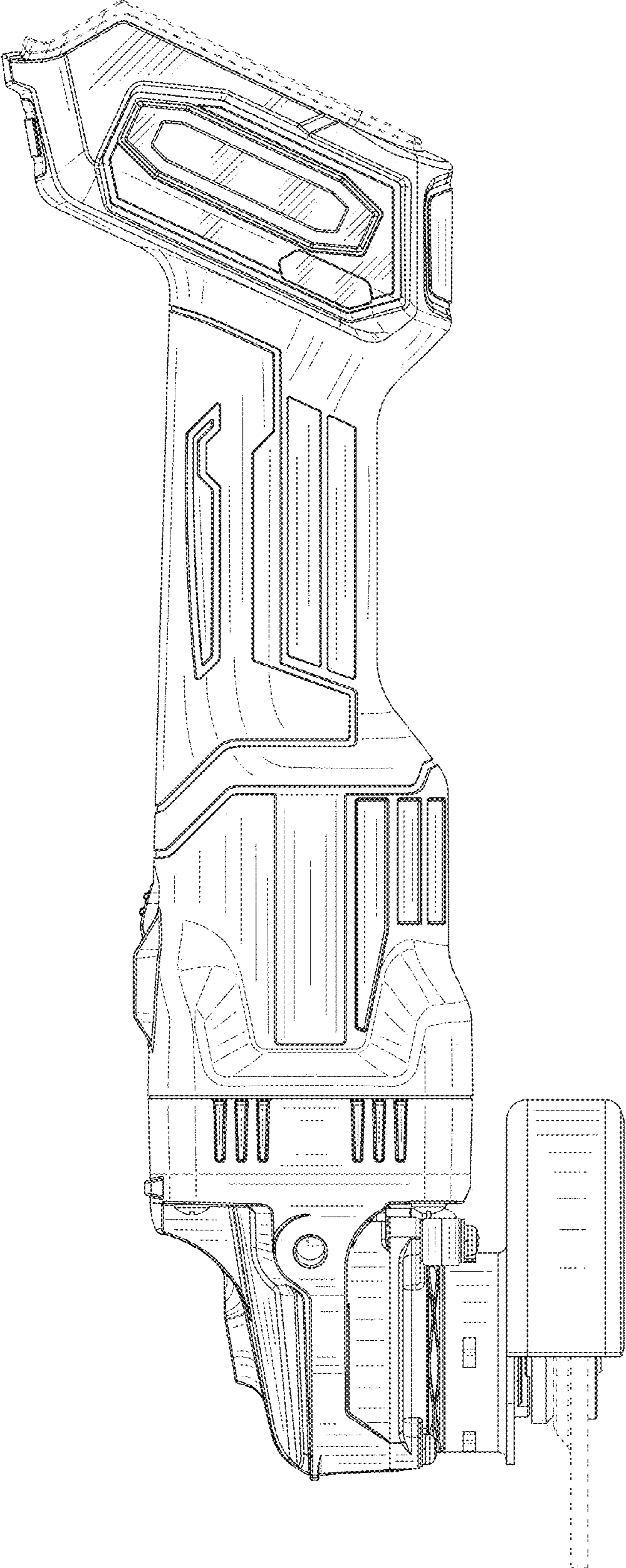


FIG. 3

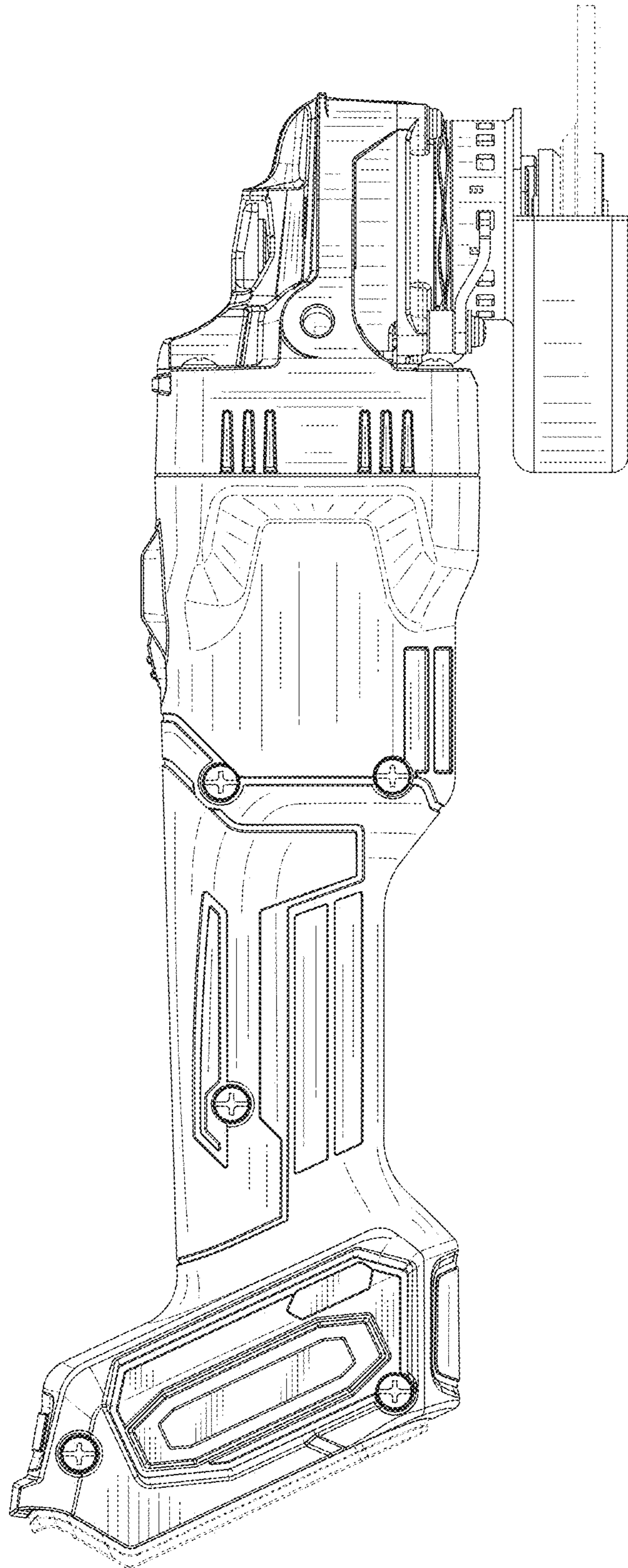


FIG. 4

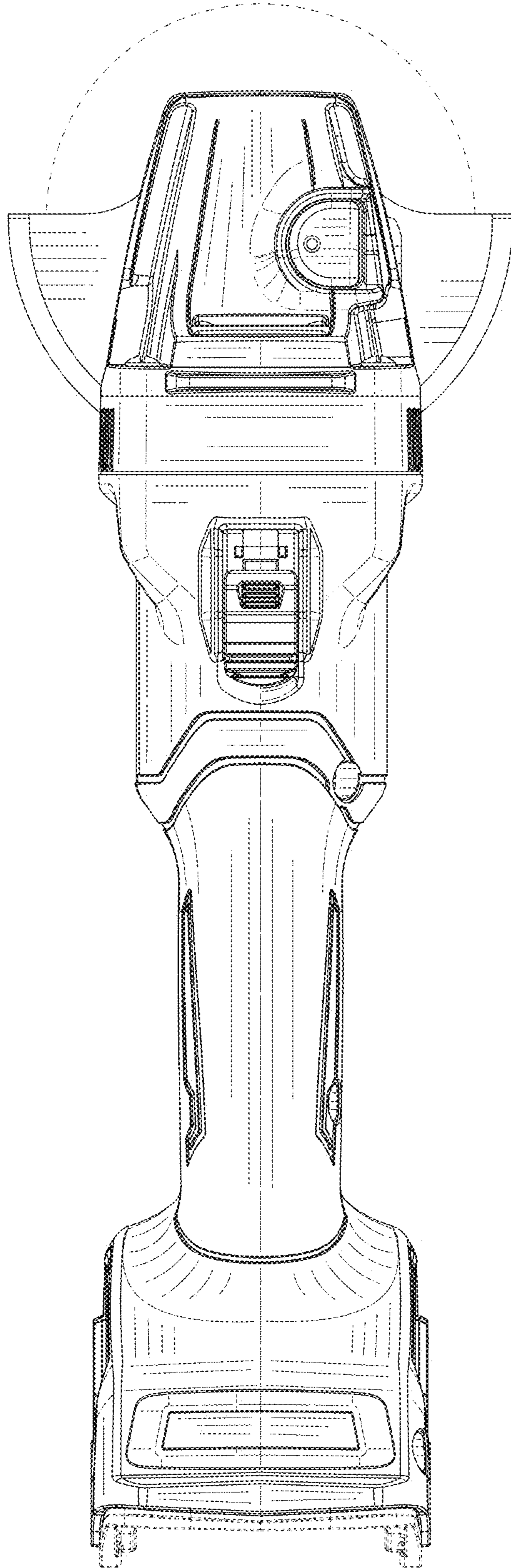


FIG. 5

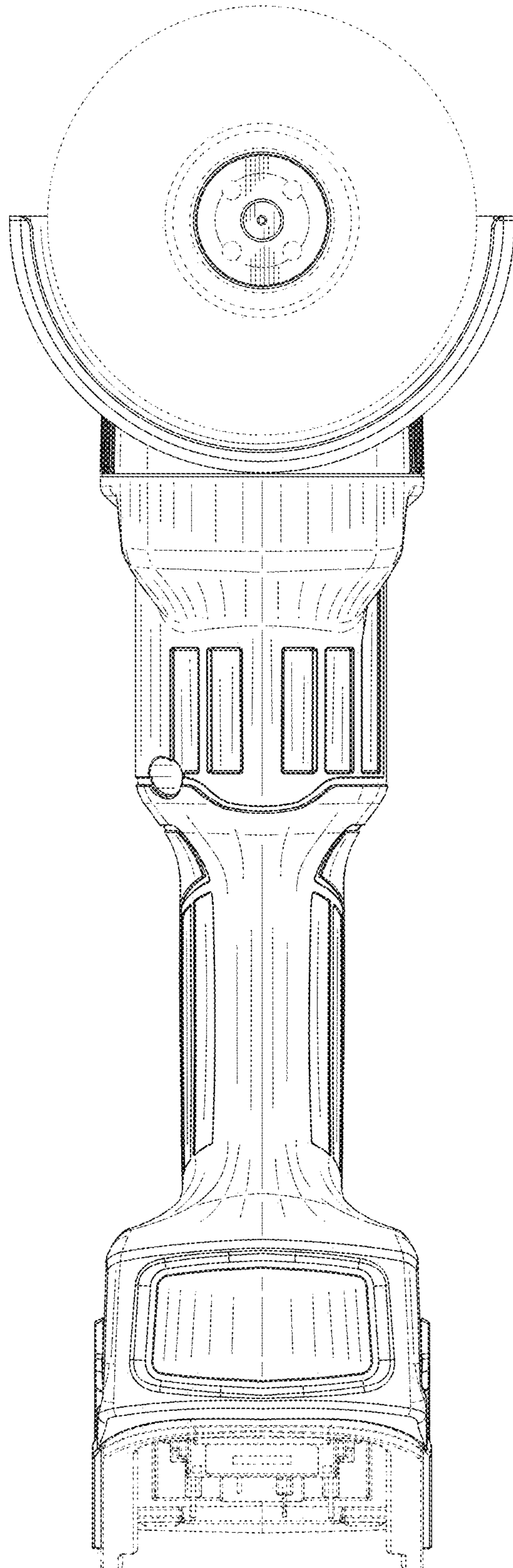


FIG. 6

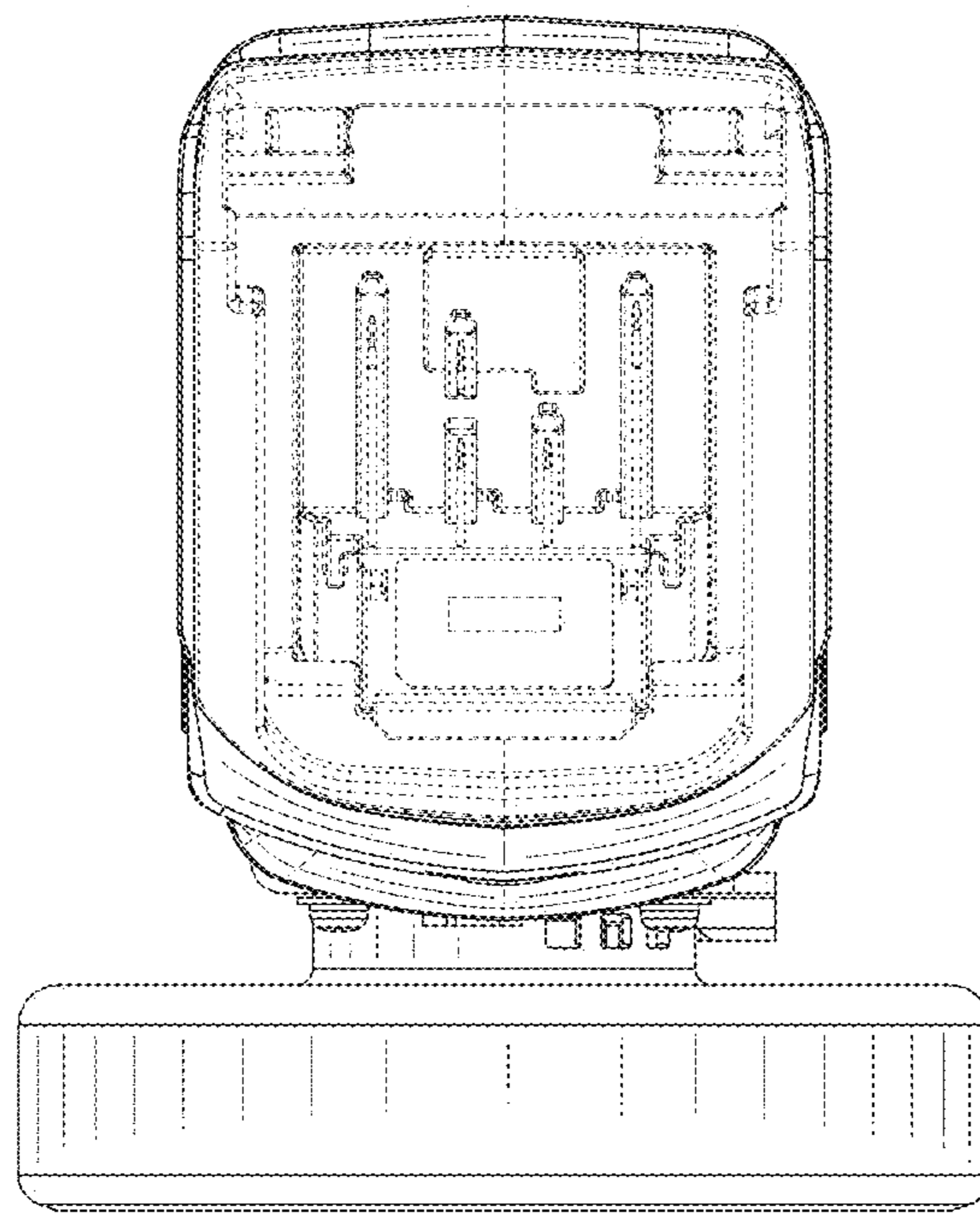


FIG. 7

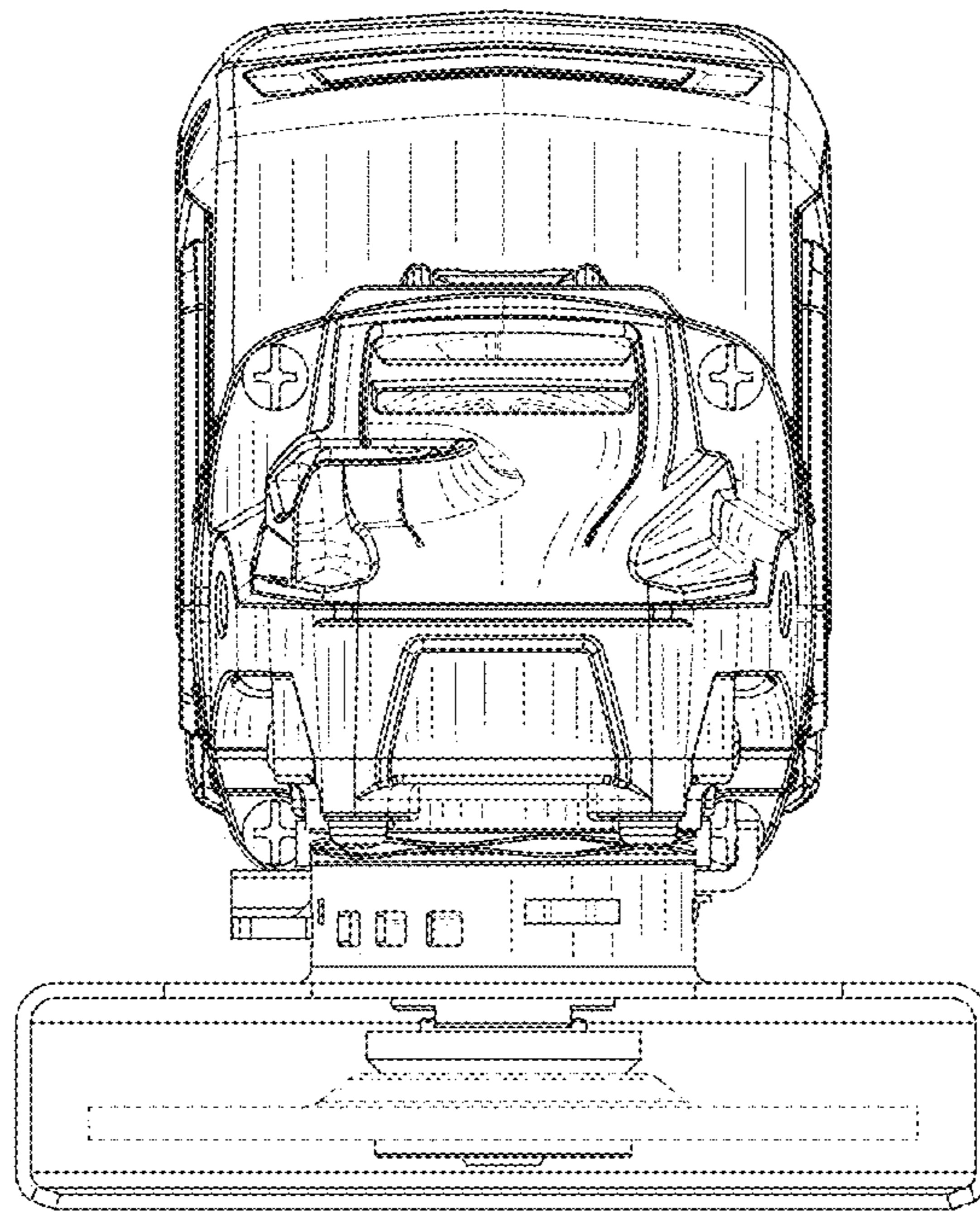


FIG. 8

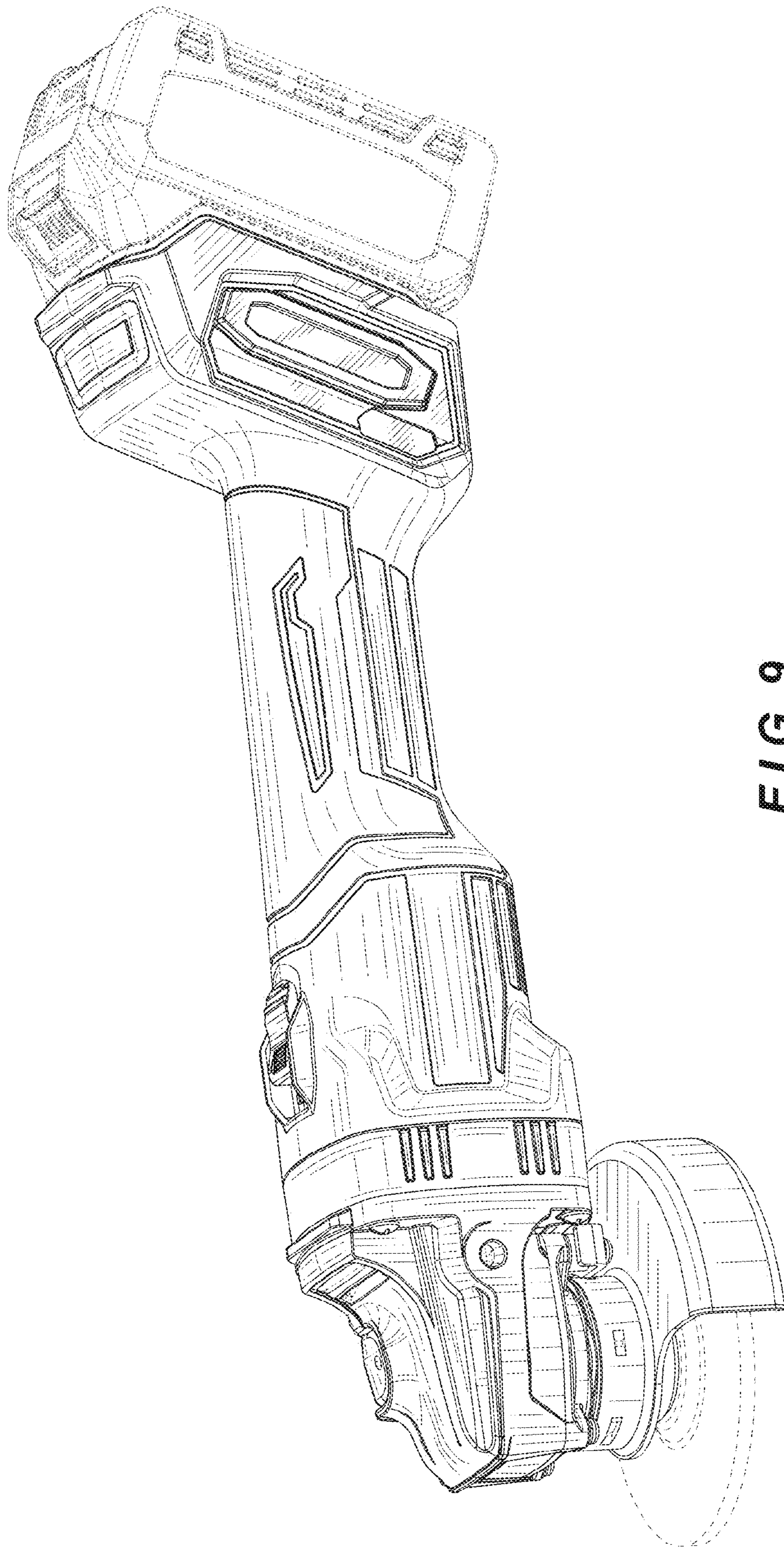


FIG. 9