



US00D936439S

(12) **United States Design Patent**  
**Lin**

(10) **Patent No.:** **US D936,439 S**

(45) **Date of Patent:** **\*\* Nov. 23, 2021**

(54) **SCISSORS**

(71) Applicant: **Shung Wei Industrial Co., Ltd.**,  
Chang Hua Hsien (TW)

(72) Inventor: **Chia-Ming Lin**, Chang Hua Hsien  
(TW)

(73) Assignee: **Shung Wei Industrial Co., Ltd.**

(\*\*) Term: **15 Years**

(21) Appl. No.: **29/713,605**

(22) Filed: **Nov. 18, 2019**

**Related U.S. Application Data**

(63) Continuation of application No. 29/700,281, filed on  
Aug. 1, 2019.

(30) **Foreign Application Priority Data**

Jul. 24, 2019 (EM) ..... 006643797-0001

(51) **LOC (13) Cl.** ..... **08-05**

(52) **U.S. Cl.**  
USPC ..... **D8/52**

(58) **Field of Classification Search**  
USPC ..... D8/4, 5, 51-58  
CPC ..... A01G 3/02; B26B 13/16  
See application file for complete search history.

(56) **References Cited**

**U.S. PATENT DOCUMENTS**

D472,433 S \* 4/2003 Richwine ..... D8/5  
D496,838 S \* 10/2004 Tomchak ..... D8/5

D500,235 S \* 12/2004 Albert ..... D8/5  
8,079,150 B2 \* 12/2011 Huang ..... A01G 3/02  
30/254  
D750,455 S \* 3/2016 Wu ..... D8/5  
D775,504 S \* 1/2017 Dechant ..... D8/52  
D810,534 S \* 2/2018 Liu ..... D8/52  
D817,132 S \* 5/2018 Yang ..... D8/52  
D924,645 S \* 7/2021 Lyytikainen ..... D8/5  
2006/0191142 A1 \* 8/2006 Jou ..... B26B 13/16  
30/262  
2008/0155835 A1 \* 7/2008 Lin ..... A01G 3/02  
30/252

\* cited by examiner

*Primary Examiner* — Deanna L Pratt

(74) *Attorney, Agent, or Firm* — Stinson LLP

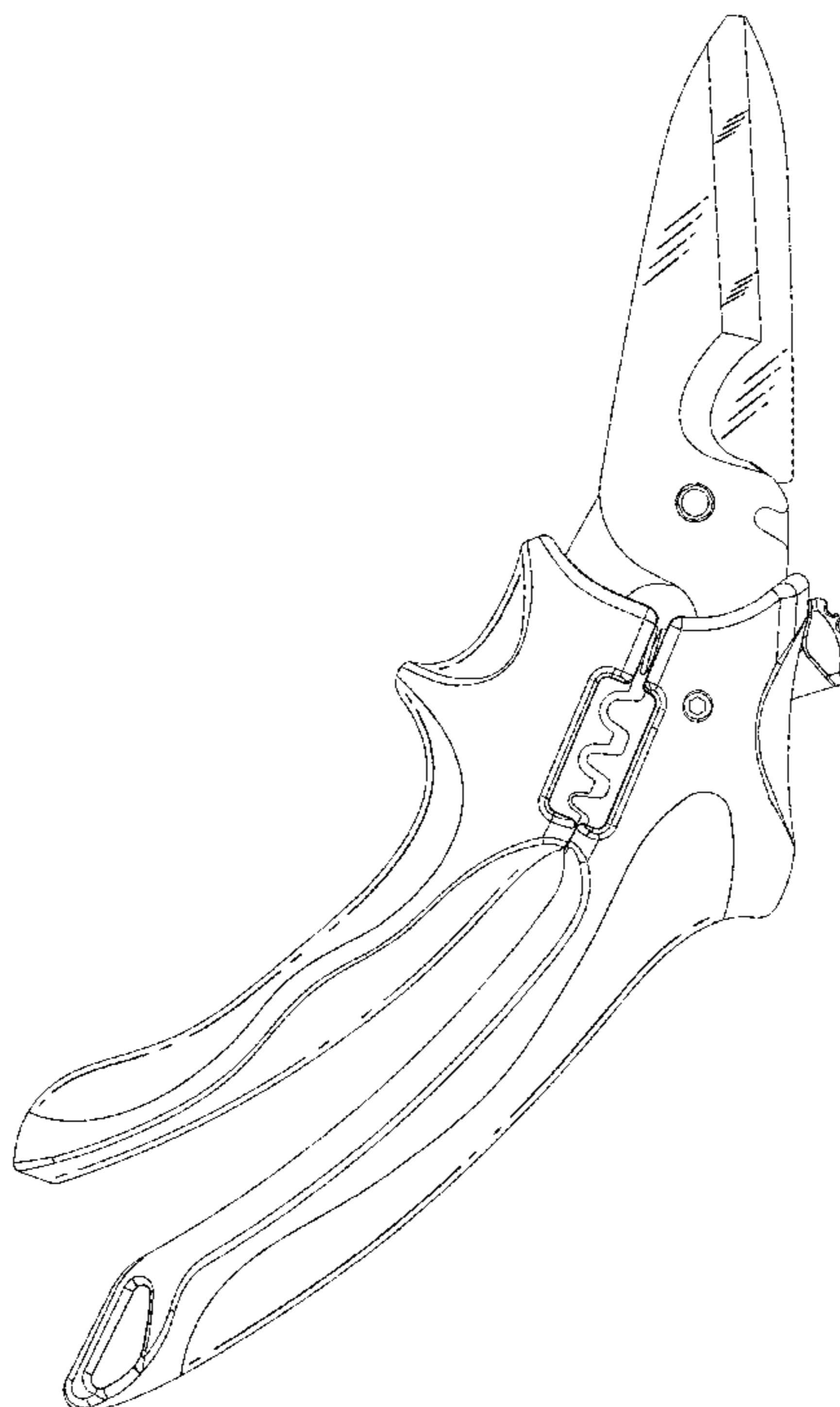
(57) **CLAIM**

The ornamental design for a scissors, as shown and described.

**DESCRIPTION**

FIG. 1 is a perspective view of a scissors showing my new design;  
FIG. 2 is a front elevational view thereof;  
FIG. 3 is a rear elevational view thereof;  
FIG. 4 is a left side elevational view thereof;  
FIG. 5 is a right side elevational view thereof;  
FIG. 6 is a top plan view thereof; and,  
FIG. 7 is a bottom plan view thereof.

**1 Claim, 7 Drawing Sheets**



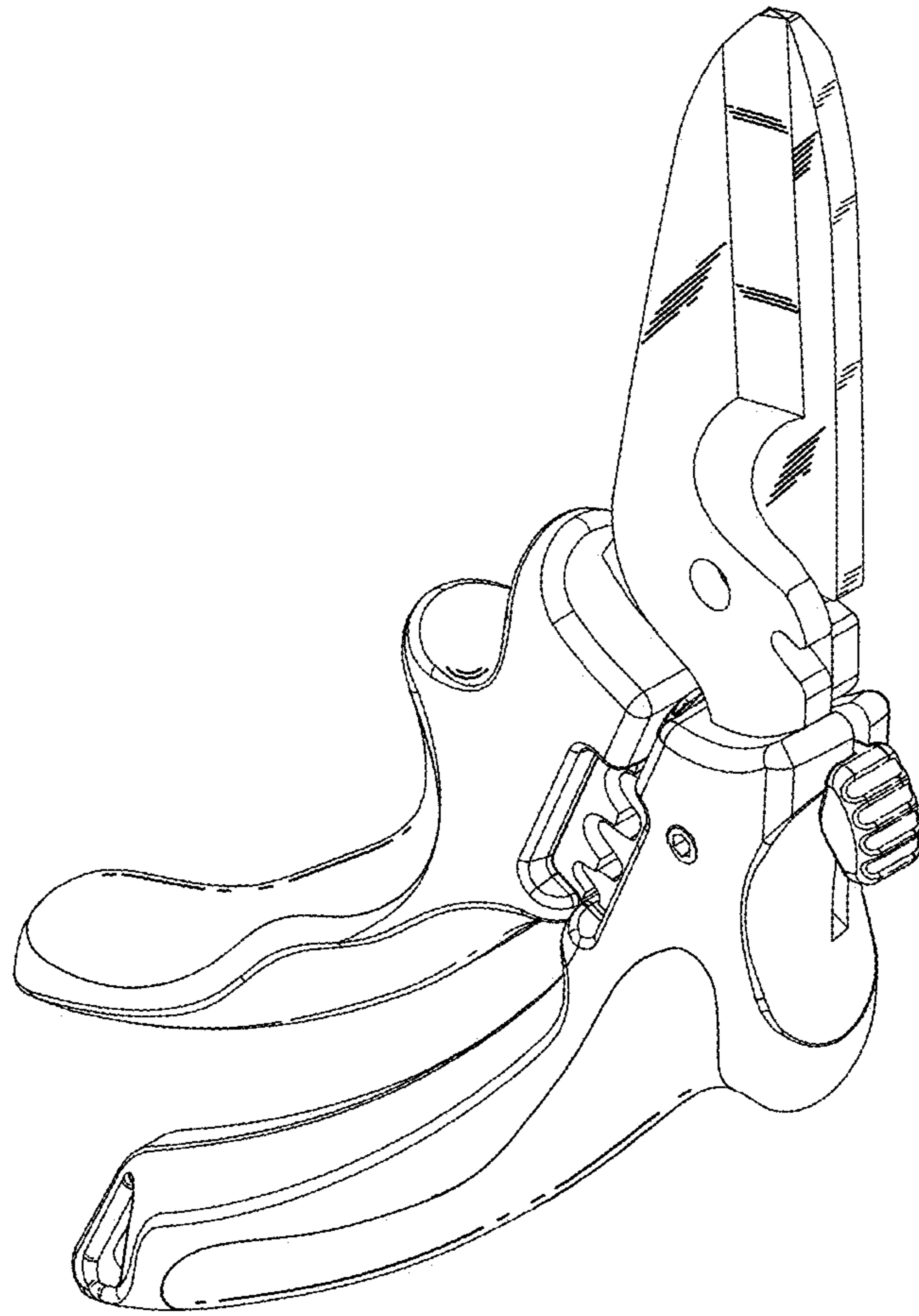


FIG.1

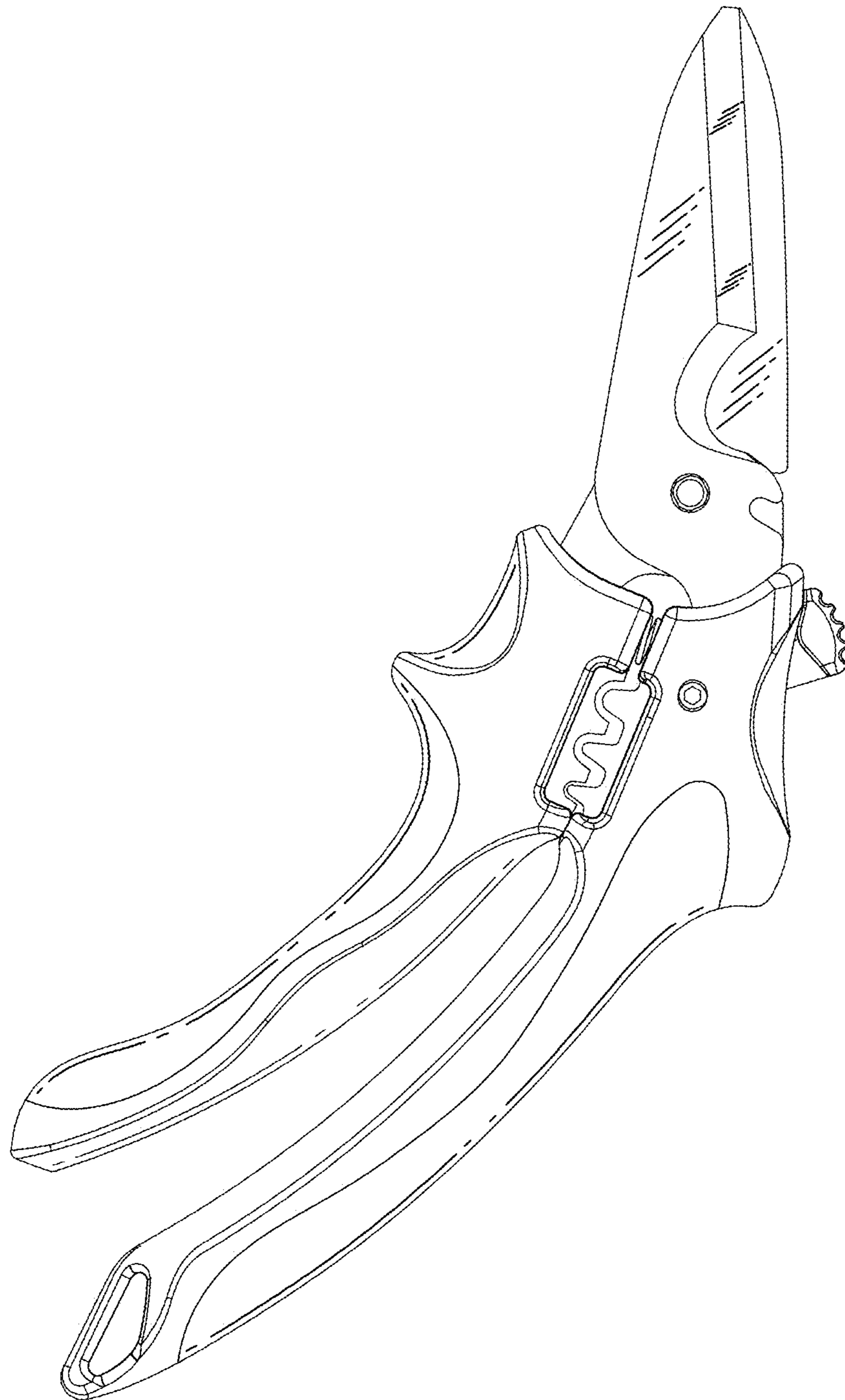


FIG.2

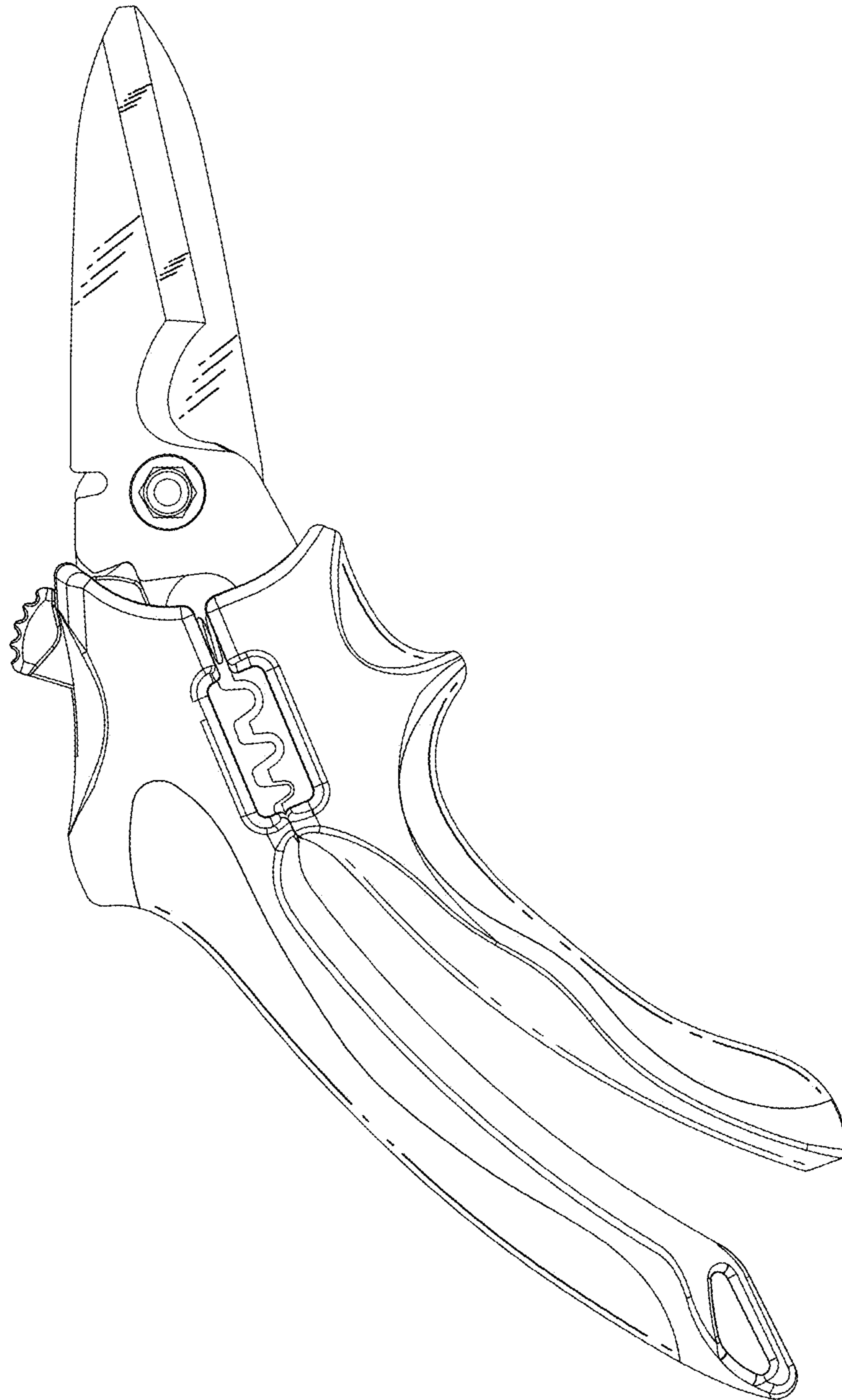


FIG.3

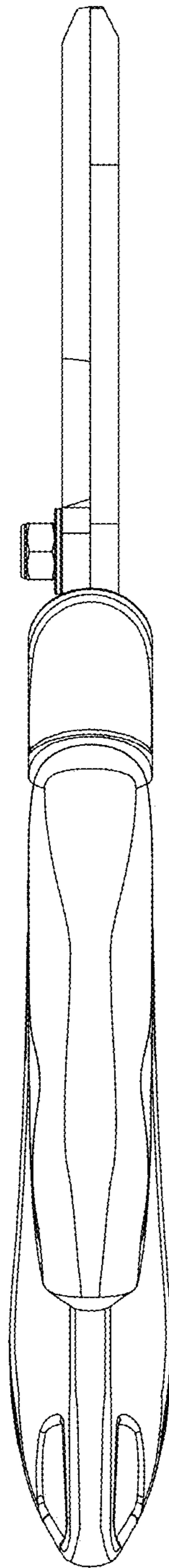


FIG.4

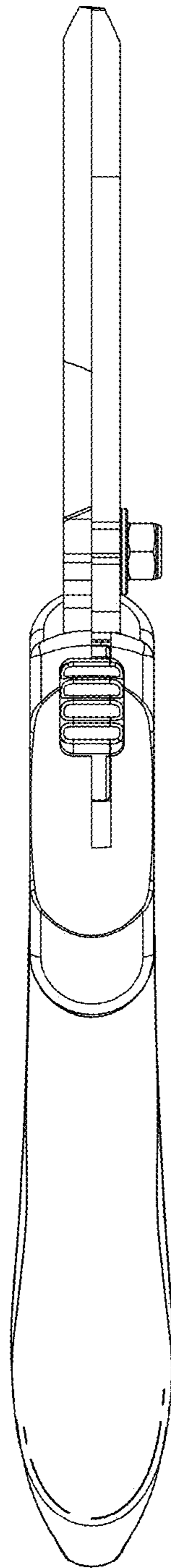


FIG.5

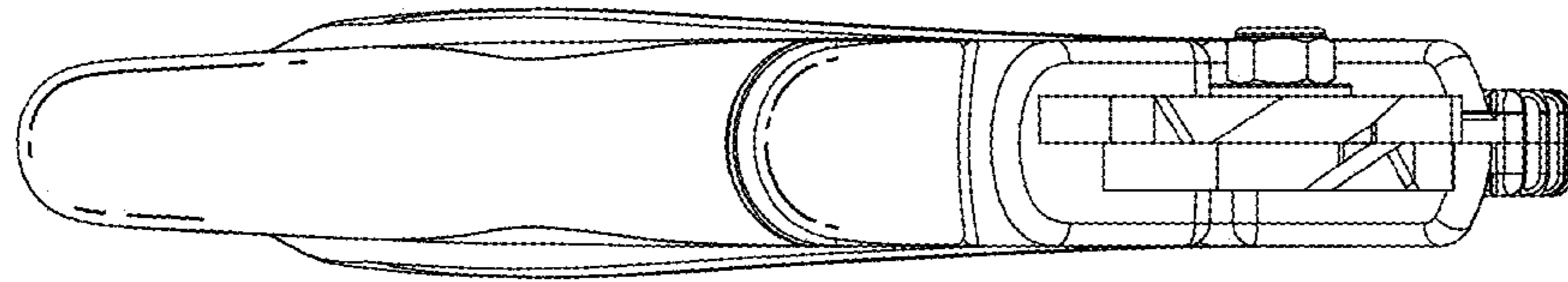


FIG.6

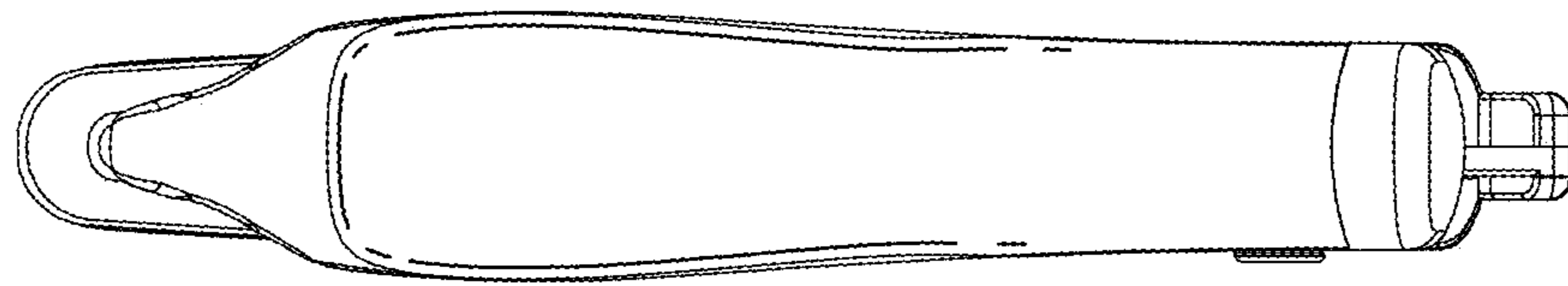


FIG. 7