



US00D936438S

(12) **United States Design Patent** (10) **Patent No.:** **US D936,438 S**
Cyborski et al. (45) **Date of Patent:** **** Nov. 23, 2021**

(54) **RATCHET**

(71) Applicant: **Snap-on Incorporated**, Kenosha, WI (US)

(72) Inventors: **David A. Cyborski**, Belvidere, IL (US);
Joshua M. Beer, Mount Pleasant, WI (US)

(73) Assignee: **Snap-on Incorporated**, Kenosha, WI (US)

(**) Term: **15 Years**

(21) Appl. No.: **29/714,897**

(22) Filed: **Nov. 26, 2019**

(51) **LOC (13) Cl.** **08-05**

(52) **U.S. Cl.**
USPC **D8/25**; D8/61

(58) **Field of Classification Search**
USPC D8/14-40, 51-56; 81/125.1, 177.1, 119, 81/124.7, 124.3, 186, 431, 176.15, 461.1, 81/99, 98, 100; 30/193, 252, 254
CPC B25B 13/14; B25B 13/06; B25B 13/04; B25B 13/46; B25B 13/00; B25B 7/02; B25B 13/48; B25B 13/16; B25B 13/505; B25B 13/5058; B25B 23/0007; B25B 13/28; B25B 23/0035; B25B 13/08; B25B 13/02; B25B 13/50; B25B 7/10; B25B 7/14; B25B 5/147; B25B 5/085; B25B 27/00; B25B 23/142; B25B 23/16; B25B 13/462; B67B 7/00; B67B 7/18; B21K 5/16

See application file for complete search history.

(56) **References Cited**

U.S. PATENT DOCUMENTS

2,440,683 A * 5/1948 Hattan B25B 23/1427 81/479
D387,960 S * 12/1997 Sung D8/25
D435,204 S * 12/2000 Izumisawa D8/61

D525,502 S * 7/2006 Chen D8/61
D554,460 S * 11/2007 Enriquez D8/61
D889,223 S * 7/2020 Liu D8/25

(Continued)

FOREIGN PATENT DOCUMENTS

CN 305230323 * 7/2018
CN 305502629 * 7/2019

(Continued)

OTHER PUBLICATIONS

Aircat Store, ACR802R 3/8-Inch Ratchet, Large, Date first available Oct. 10, 2006, [online]retrieved Dec. 15, 2020, available from internet, https://www.amazon.com/Aircat-ACR802R-8-Inch-Ratchet-Large/dp/B000OAHYKA/ref=sr_1_1_sspa?dchild=1&keywords=air (Year: 2006).*

(Continued)

Primary Examiner — Keli L Hill
Assistant Examiner — Sara S Sahneh
(74) *Attorney, Agent, or Firm* — Seyfarth Shaw LLP

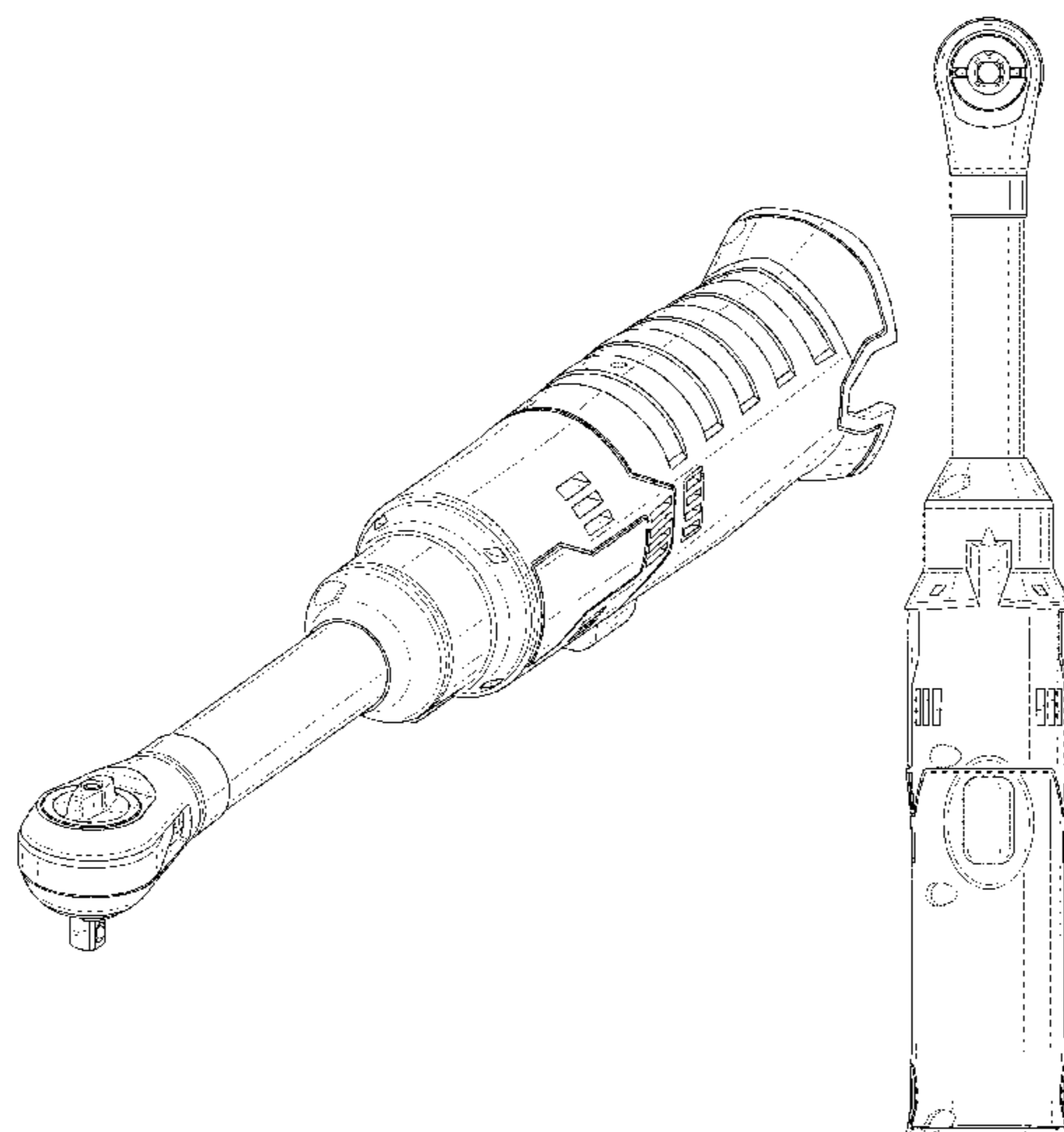
(57) **CLAIM**

The ornamental design for a ratchet, as shown and described.

DESCRIPTION

FIG. 1 is a perspective view of a ratchet, showing the new design;
FIG. 2 is a top end plan view thereof;
FIG. 3 is a bottom end plan view thereof;
FIG. 4 is a first side elevation view thereof;
FIG. 5 is a second side elevation view thereof;
FIG. 6 is a rear side elevation view thereof; and,
FIG. 7 is a front side elevation view thereof.
The broken lines shown are included for the purpose of illustrating portions of the ratchet that form no part of the claim.

1 Claim, 4 Drawing Sheets



(56)

References Cited

U.S. PATENT DOCUMENTS

2006/0027048 A1* 2/2006 Chen B25B 21/004
81/57.39
2007/0084310 A1* 4/2007 Kobayashi B25B 21/004
81/57.39
2014/0338503 A1* 11/2014 Beer B25B 23/0007
81/57.39
2014/0338504 A1* 11/2014 Beer B25B 23/18
81/57.39
2018/0001446 A1* 1/2018 Elsmark B25B 23/147
2020/0023507 A1* 1/2020 Schiltz B25B 21/004
2020/0215666 A1* 7/2020 Schultz B25B 13/465

FOREIGN PATENT DOCUMENTS

CN 305632907 * 8/2019
CN 305704003 * 8/2019
CN 305713219 * 10/2019
CN 305994547 * 4/2020
EM 006564670-0001 * 6/2019

OTHER PUBLICATIONS

Milwaukee, 2457-20 M12 Cordless 3/8" Sub-Compact 35 ft-Lbs 250 RPM Ratchet, Date first available Oct. 6, 2011, [online] retrieved Dec. 15, 2020, available from internet, https://www.amazon.com/Milwaukee-2457-20-Cordless-Sub-Compact-Variable/dp/B006CSRBTC/ref=psdc_9022387011_t3_B000OAHYKA (Year: 2011).*

AirCAT Store, 807 3/8" Mini Palm Ratchet 35 ft-lb 350 RPM, Date first available Dec. 14, 2016, [online]retrieved Dec. 15, 2020, available from internet, https://www.amazon.com/AIRCAT-807-Composite-RATCHET-Small/dp/B01N2TUGYJ/ref=pd_di_sccai_13?_encoding=UTF8&pd_rd_i=B (Year: 2016).*

Astro Pneumatic Tool Store, 1119A ONYX 3/8" Drive Mini Wobble Air Ratchet, Date first available Aug. 28, 2017 , [online] retrieved Dec. 15, 2020, available from internet, https://www.amazon.com/Astro-Pneumatic-Tool-1119A-Ratchet/dp/B01JBOZTQU/ref=sr_1_32_sspa?dchild=1 (Year: 2017).*

* cited by examiner

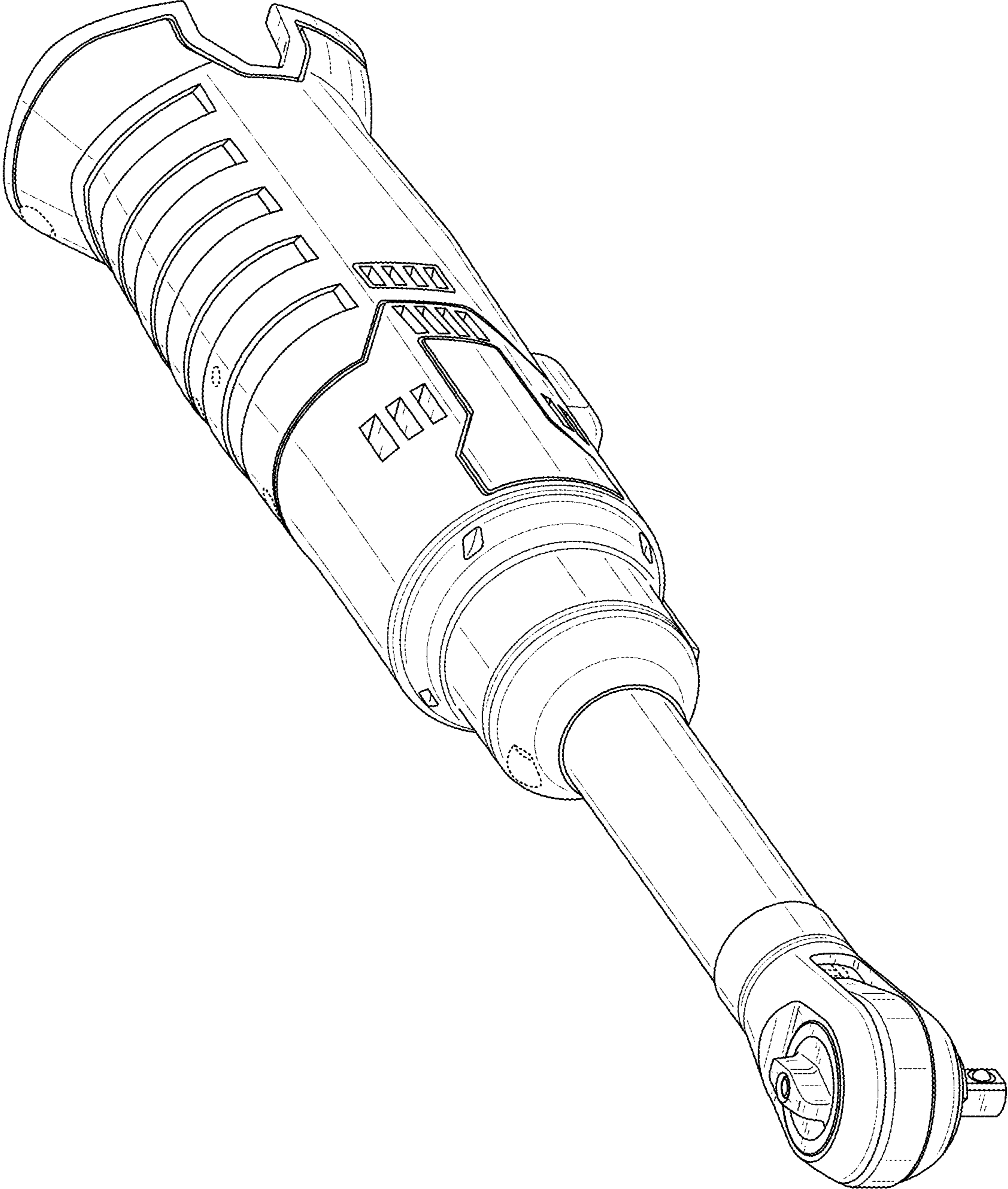


FIG. 1

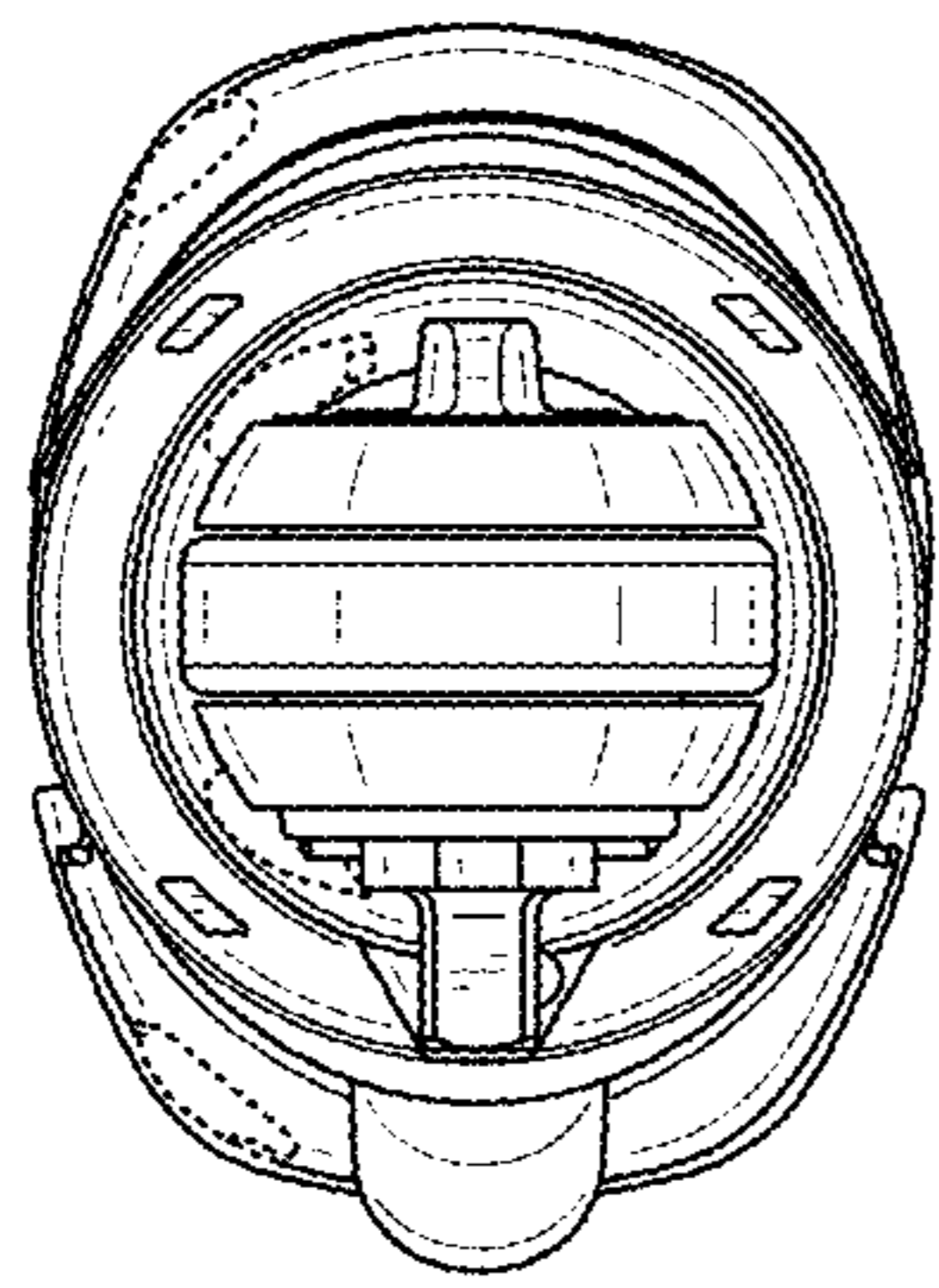


FIG. 2

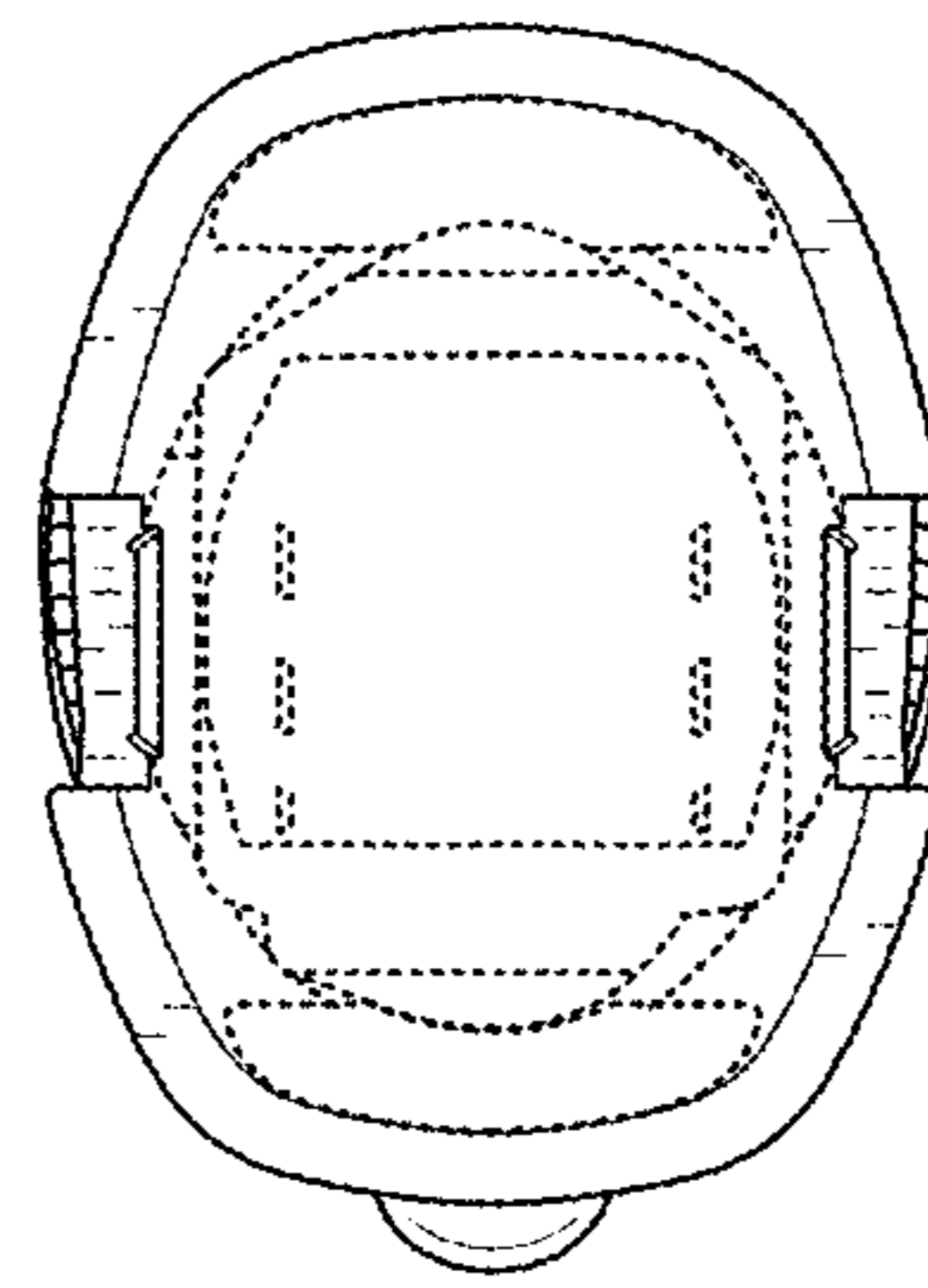


FIG. 3

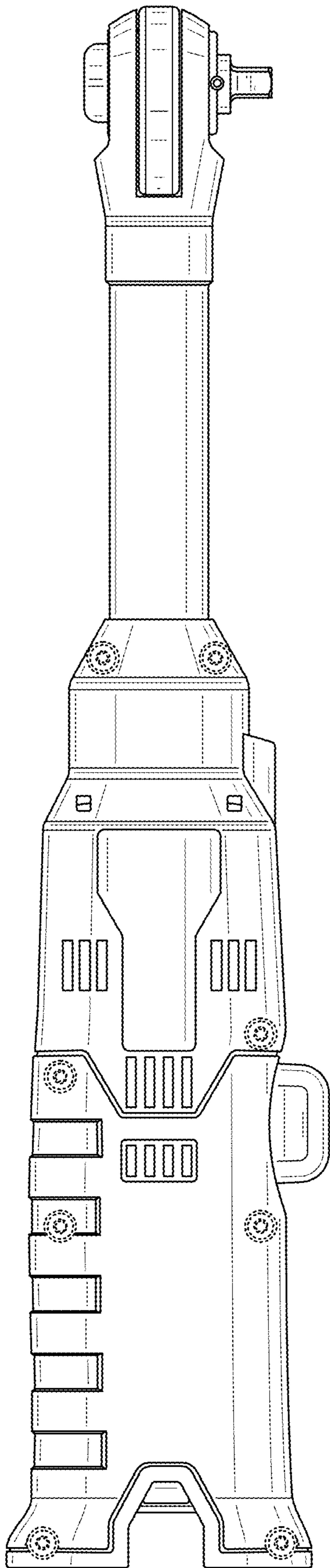


FIG. 4

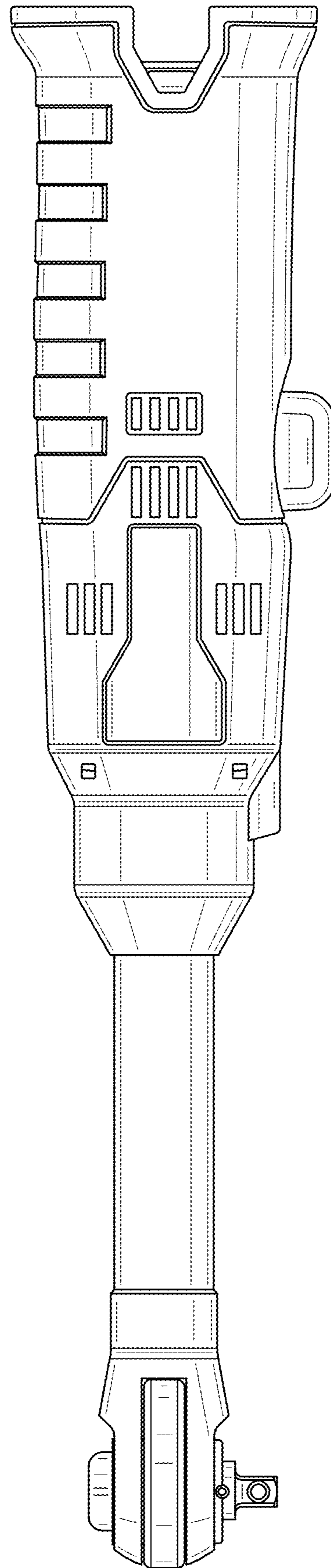


FIG. 5

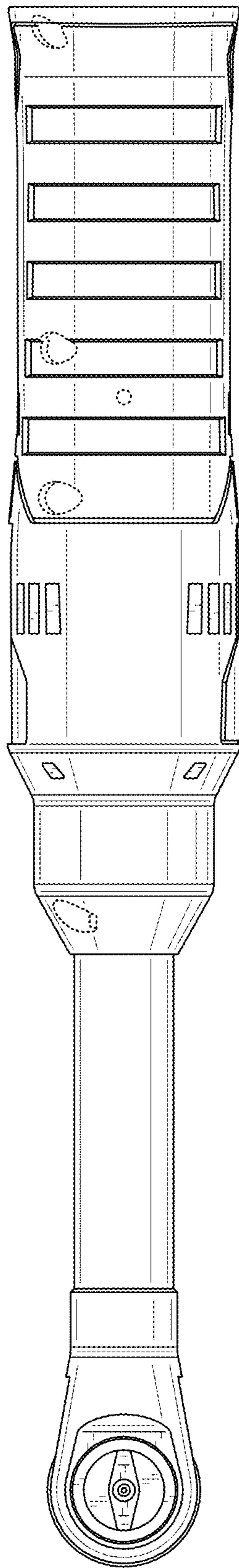


FIG. 6

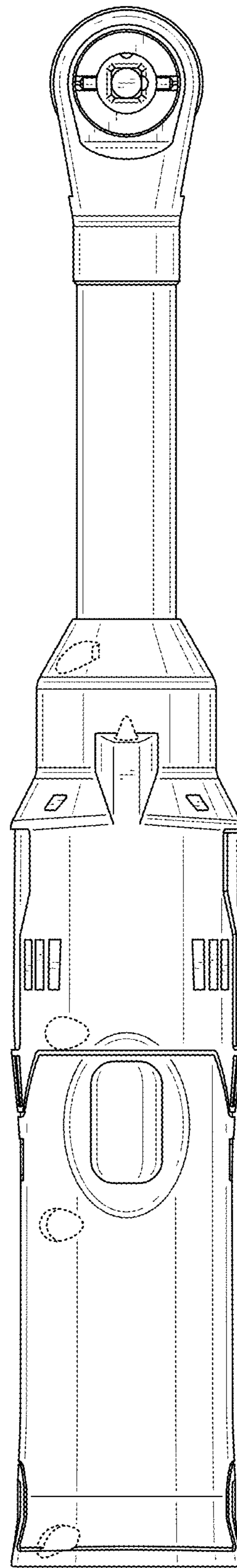


FIG. 7