

US00D936435S

(12) **United States Design Patent** (10) **Patent No.:** **US D936,435 S**
Lind et al. (45) **Date of Patent:** **** Nov. 23, 2021**

(54) **POST HOLE DIGGER**
(71) Applicant: **The Great States Corporation,**
Indianapolis, IN (US)
(72) Inventors: **Matthias Lind,** Indianapolis, IN (US);
Michael Kersey, Noblesville, IN (US)
(73) Assignee: **The Great States Corporation,**
Indianapolis, IN (US)
(**) Term: **15 Years**
(21) Appl. No.: **29/723,913**
(22) Filed: **Feb. 11, 2020**
(51) **LOC (13) Cl.** **08-03**
(52) **U.S. Cl.**
USPC **D8/7**
(58) **Field of Classification Search**
USPC D8/4, 5, 7, 9, 10
CPC A01B 1/024; A01B 1/02; A01B 1/165;
A01C 5/02; E02F 3/02; E21B 11/005
See application file for complete search history.

(56) **References Cited**
U.S. PATENT DOCUMENTS
457,871 A 8/1891 Silliman
1,187,316 A * 6/1916 Higby A01B 1/18
294/50.8
1,428,202 A * 9/1922 Arndt A01C 5/02
294/50.9
1,597,281 A * 8/1926 Mills A01C 5/02
111/101
1,881,112 A 10/1932 David
1,908,735 A 5/1933 Donaldson
2,735,712 A * 2/1956 Hart E21B 11/005
294/50.5
D287,218 S * 12/1986 Portz D8/7
5,520,429 A 5/1996 Gregory
5,669,649 A 9/1997 Metcalf

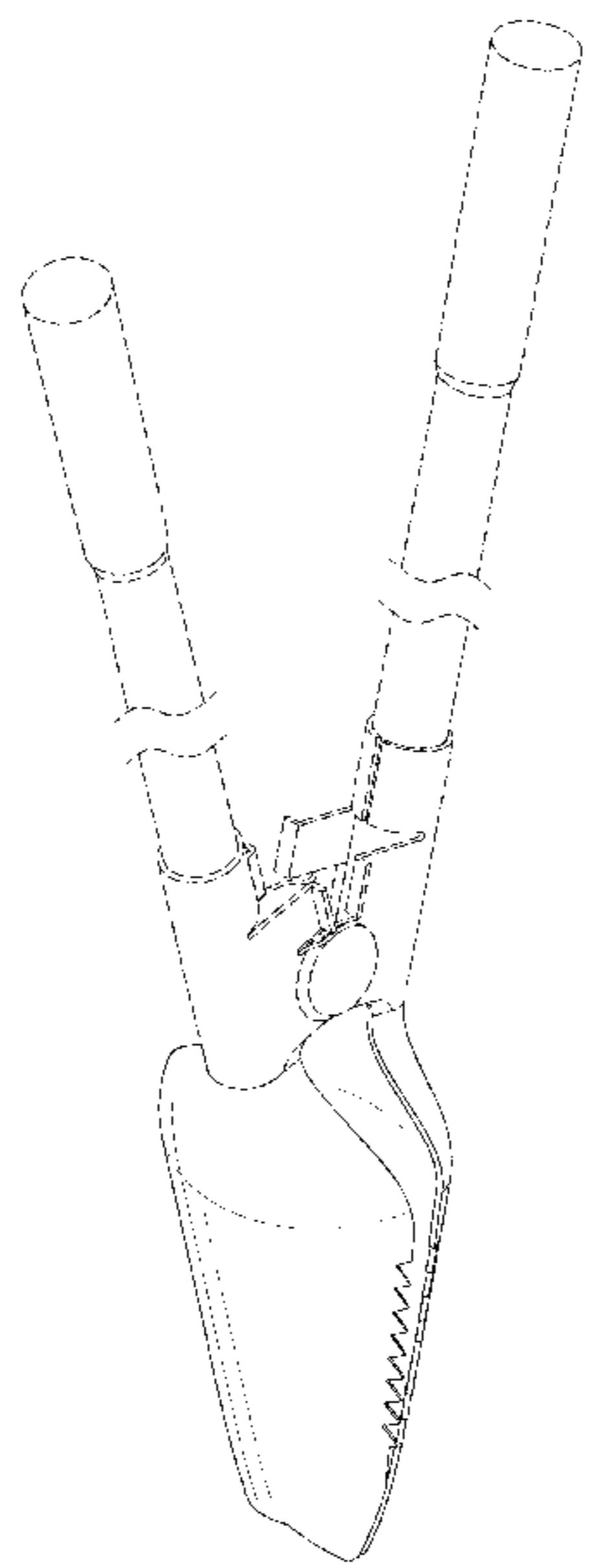
D391,130 S * 2/1998 Martin D8/4
5,743,579 A * 4/1998 Ranburger A01B 1/00
294/50.8
D401,125 S * 11/1998 Bonnes D8/7
D402,171 S * 12/1998 Miller D8/4
D514,400 S * 2/2006 Martin D8/7
D522,323 S * 6/2006 Toth D8/7
D563,742 S 3/2008 Baker
D564,313 S 3/2008 Baker
D564,314 S 3/2008 Baker
D564,315 S 3/2008 Baker
D569,202 S 5/2008 Baker
(Continued)

Primary Examiner — Holly E Thurman
Assistant Examiner — Ieisha N Price
(74) *Attorney, Agent, or Firm* — Miller Johnson

(57) **CLAIM**
We claim the ornamental design for a post hole digger, as shown and described.

DESCRIPTION
FIG. 1 is a front perspective view of a post hole digger showing our new design in a closed configuration; FIG. 2 is a front view of the post hole digger of FIG. 1, the opposing rear view being identical thereto; FIG. 3 is a right side view of the post hole digger of FIG. 1, the opposing left side view being identical thereto; FIG. 4 is a top view of the post hole digger of FIG. 1; FIG. 5 is a bottom view of the post hole digger of FIG. 1; and, FIG. 6 is a front perspective view of the post hole digger of FIG. 1 in an open configuration. The dash-dash broken lines in the drawings illustrate portions of the post hole digger and form no part of the claimed design. The dot-dot-dash broken lines in the drawings define the bounds of the claim and form no part thereof. Shade lines in the drawing views show contour and not surface ornamentation of the claimed design.

1 Claim, 6 Drawing Sheets



(56)

References Cited

U.S. PATENT DOCUMENTS

D569,697 S	5/2008	Baker					
D569,698 S	5/2008	Baker					
D570,653 S	6/2008	Baker					
D570,654 S	6/2008	Baker					
D579,287 S	10/2008	Hyp et al.					
D579,288 S	10/2008	Baker					
D588,424 S	3/2009	Baker					
D588,882 S	3/2009	Baker, II					
D595,550 S	7/2009	Wong et al.					
7,784,842 B1 *	8/2010	Wright	A01C 5/02				
			294/50.8				
D623,488 S	9/2010	Randolph et al.					
D626,390 S	11/2010	Randolph et al.					
7,836,557 B2	11/2010	Baker					
8,006,351 B2	8/2011	Baker					
D665,637 S	8/2012	Baker					
D682,055 S	5/2013	Hyp et al.					
D682,642 S	5/2013	Baker					
D684,441 S	6/2013	Baker					
D770,249 S	11/2016	Mathieu					
D799,288 S	10/2017	Baker					
D810,527 S	2/2018	Baker					
D810,528 S	2/2018	Baker					
D810,529 S	2/2018	Baker					
D813,622 S	3/2018	Baker					
D823,081 S	7/2018	Baker					
10,837,156 B1 *	11/2020	Olsen	E21B 7/028				
D911,133 S *	2/2021	Ruppert	D8/10				
2004/0212204 A1 *	10/2004	Swartz	E21B 11/005				
			294/50.8				
2008/0054658 A1 *	3/2008	Norton	G02B 6/122				
			294/50.8				
2008/0309106 A1	12/2008	Baker					
2010/0051297 A1	3/2010	Mathieu					
2012/0242099 A1 *	9/2012	Friedli	B25G 1/04				
			294/50.8				
2014/0015268 A1 *	1/2014	Scolari	E21B 11/005				
			294/50.8				
2016/0198619 A1 *	7/2016	Scolari	A01C 5/02				
			294/50.9				
2016/0286711 A1 *	10/2016	Hudson	A01C 5/02				
2020/0332603 A1 *	10/2020	Francovich, Jr.	A01C 5/02				

* cited by examiner

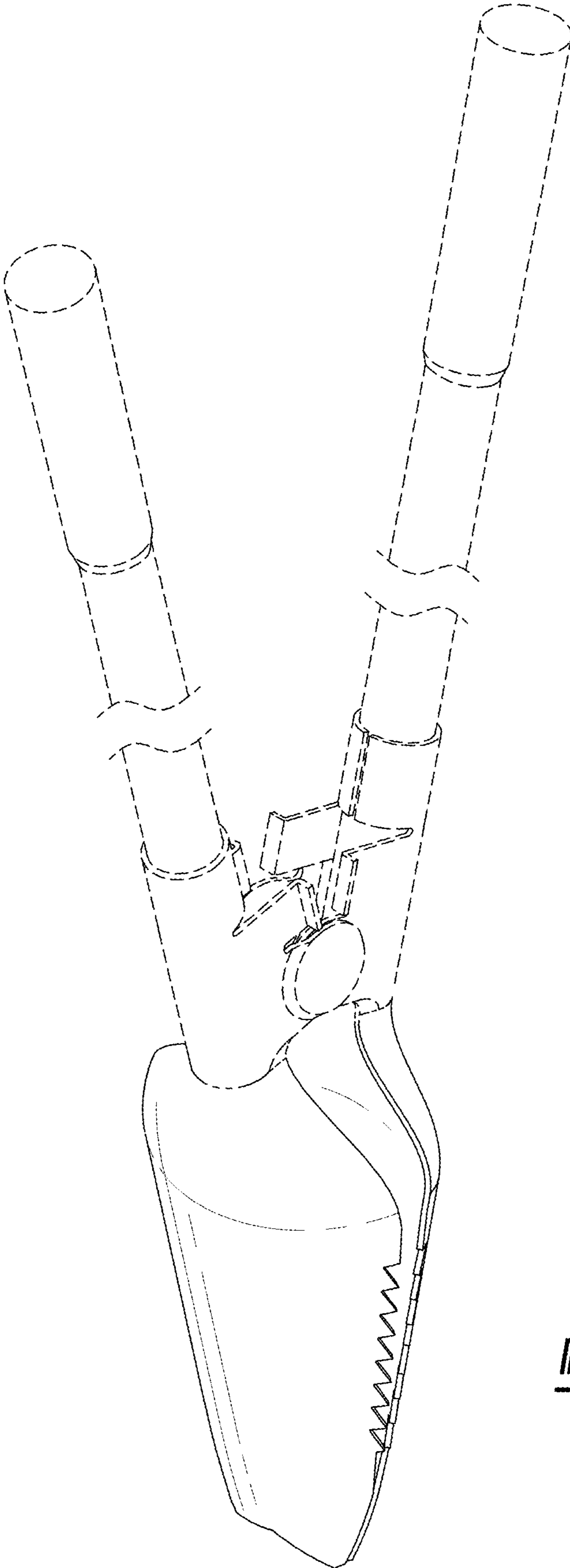


Fig-1

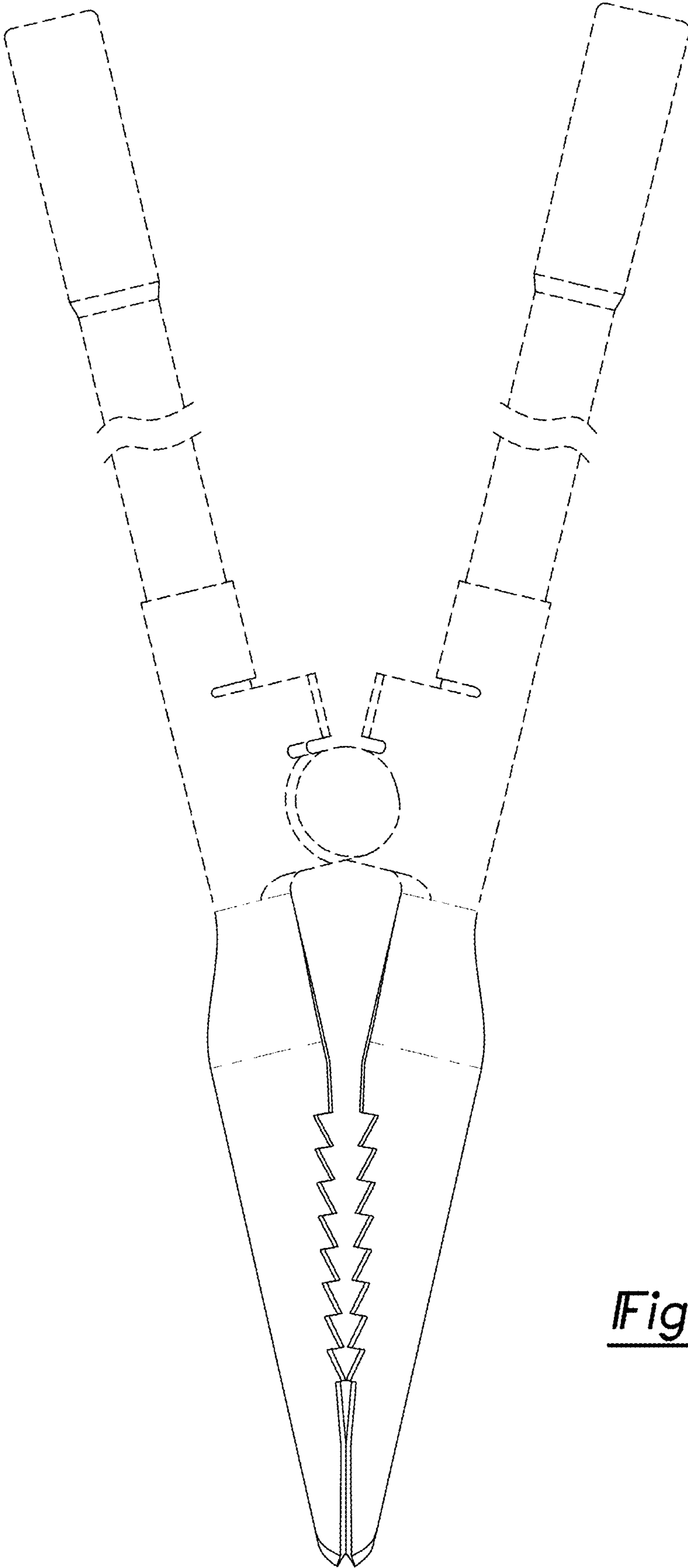


Fig-2

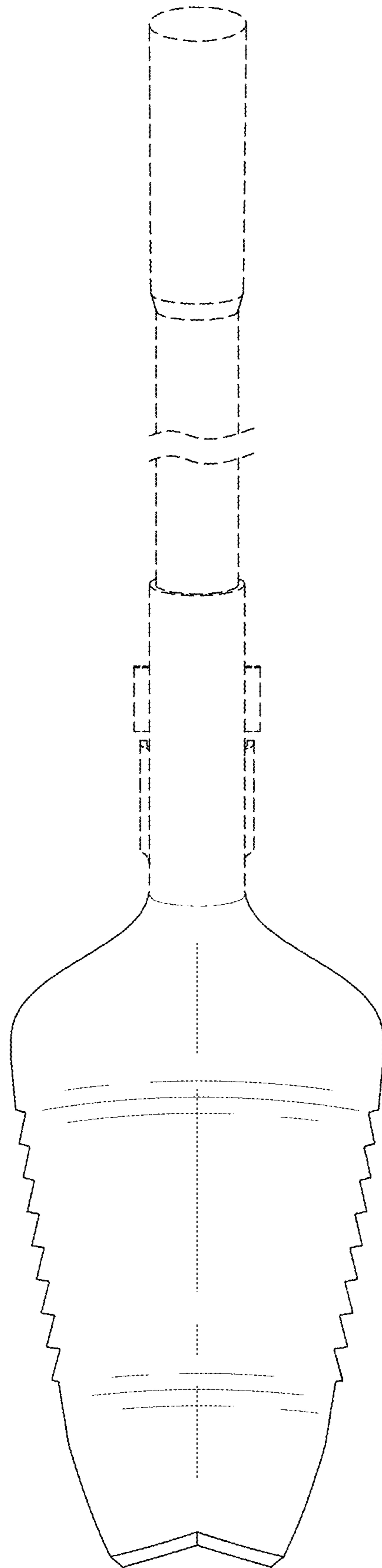


Fig-3

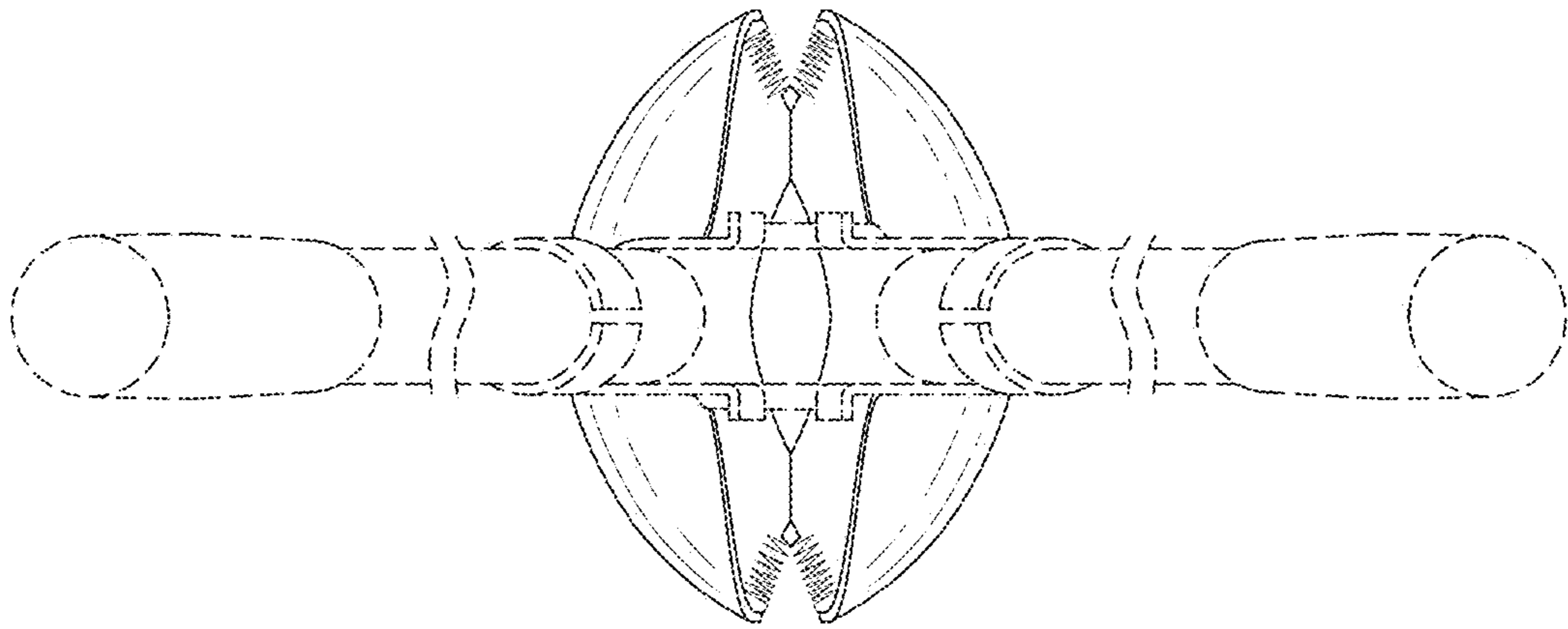


Fig-4

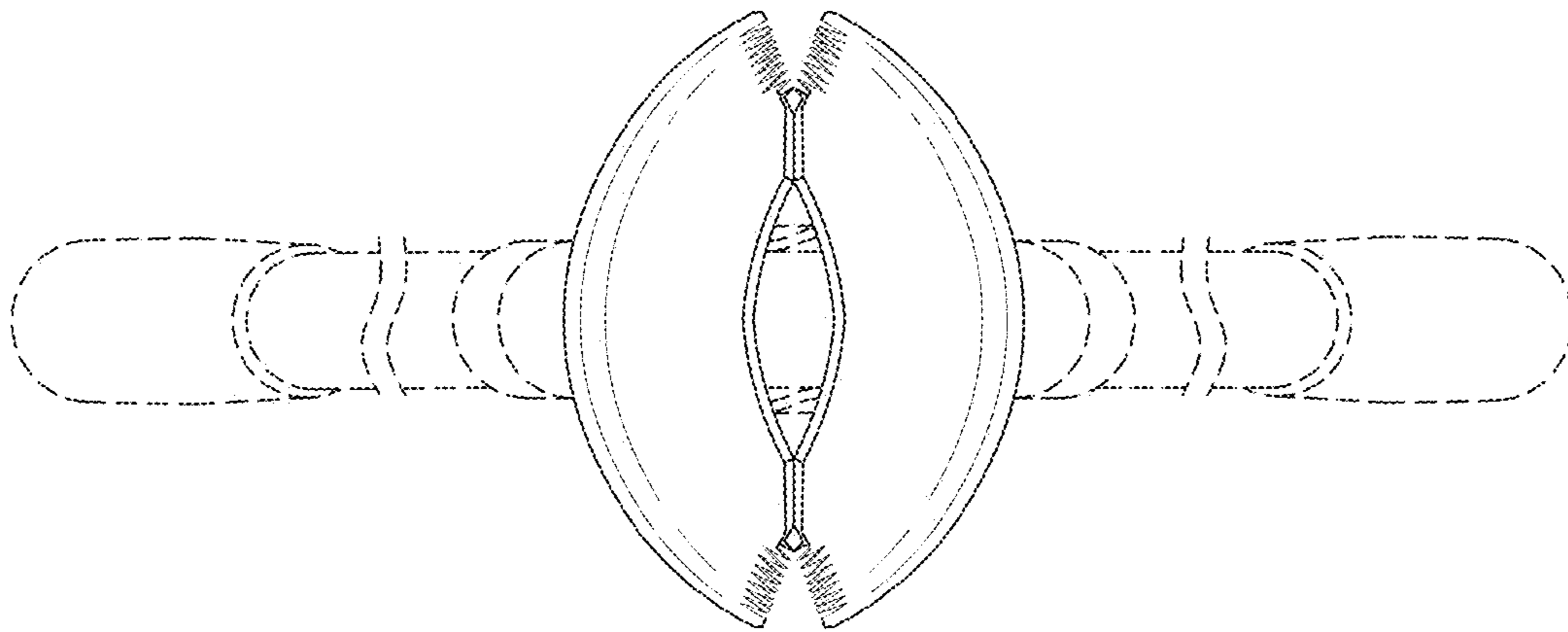


Fig-5

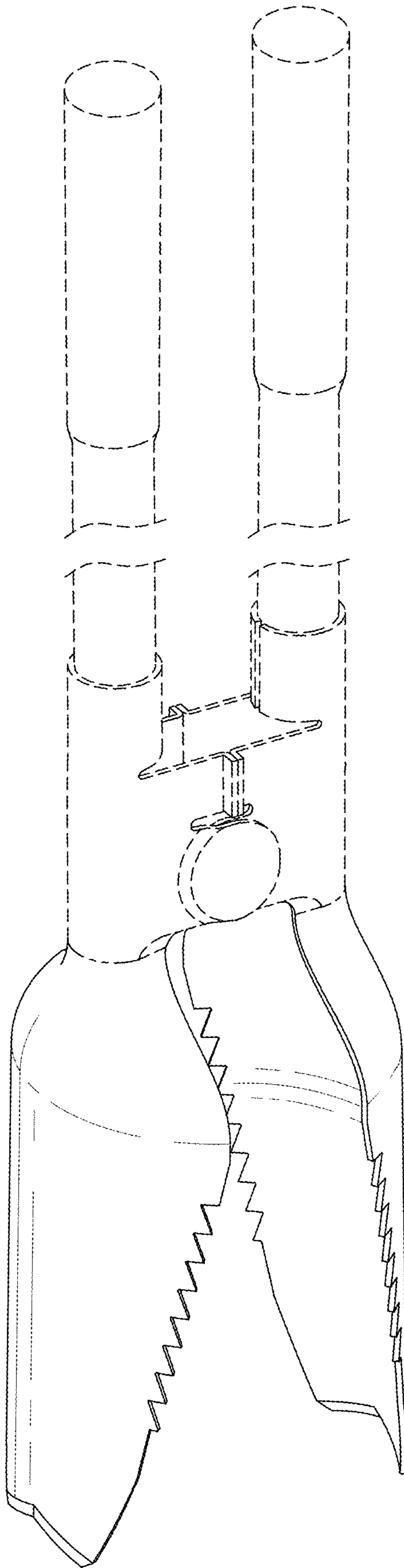


Fig-6