



US00D936434S

(12) **United States Design Patent** (10) **Patent No.:** **US D936,434 S**
Teller et al. (45) **Date of Patent:** **** Nov. 23, 2021**

(54) **GRINDING DEVICE**

(71) Applicant: **POTENT FUN CORP**, Arcadia, CA (US)

(72) Inventors: **Robert Ezra Teller**, Arcadia, CA (US);
Paul F. Myers, Cumberland (CA)

(**) Term: **15 Years**

(21) Appl. No.: **29/730,955**

(22) Filed: **Apr. 9, 2020**

(51) **LOC (13) Cl.** **07-04**

(52) **U.S. Cl.**

USPC **D7/679**; D27/195; D7/678

(58) **Field of Classification Search**

USPC D7/678, 679, 372, 373; D27/194, 195
CPC ... A24B 7/00; A24F 23/04; A47J 42/34; A47J
42/00; A47J 42/04; A47J 42/14; A47J
42/24; A47J 43/25; A47J 43/255; A47J
43/04; A47J 43/06; B02C 7/00; B02C
7/02; B02C 7/04

See application file for complete search history.

(56) **References Cited**

U.S. PATENT DOCUMENTS

D669,747 S 10/2012 Scharf et al.
8,720,807 B2 * 5/2014 Priebe A61J 7/0007
241/169
D714,595 S 10/2014 Ducey
D726,367 S 4/2015 Dukat
9,241,597 B2 1/2016 Dukat
D755,022 S 5/2016 Dukat

D755,584 S 5/2016 Dukat
D759,438 S 6/2016 Dukat
D761,064 S 7/2016 Dukat
9,392,908 B2 7/2016 Edwards et al.
9,681,777 B1 6/2017 Dukat
9,757,733 B1 9/2017 Dukat
10,349,780 B2 7/2019 Dukat
2009/0224088 A1 * 9/2009 Ruzycky A47J 19/06
241/169.1
2017/0135524 A1 * 5/2017 Moneta A47J 42/24
2017/0202396 A1 * 7/2017 Gumbel A47J 42/12
2018/0206675 A1 * 7/2018 Mennillo A47J 42/14

* cited by examiner

Primary Examiner — Terry A Wallace

(74) *Attorney, Agent, or Firm* — Tsz Lung Yeung

(57) **CLAIM**

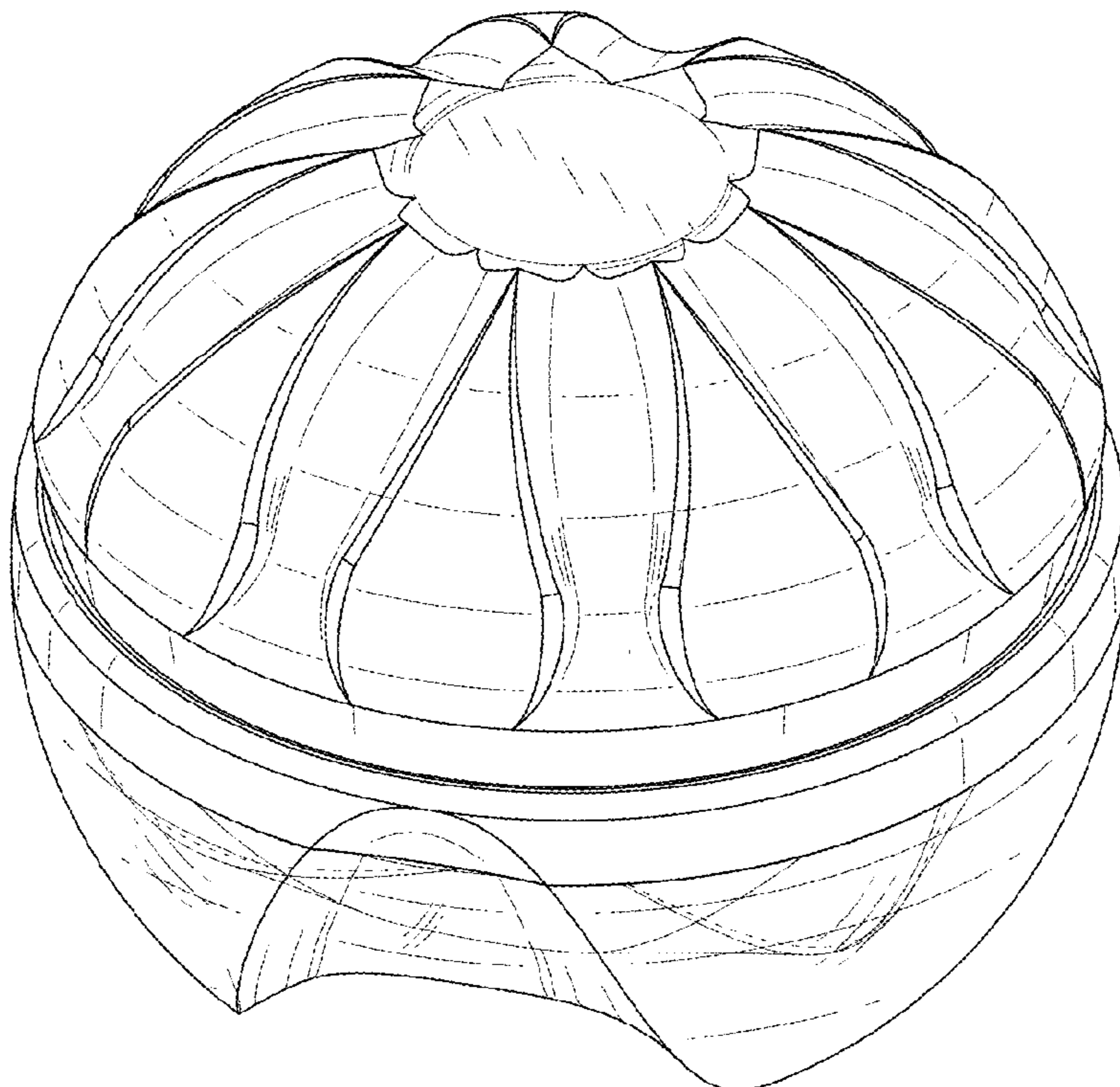
The ornamental design for a grinding device, as shown and described.

DESCRIPTION

FIG. 1 is a perspective view of a grinding device showing my new design;
FIG. 2 is a front view thereof;
FIG. 3 is a rear view thereof;
FIG. 4 is a left side view thereof;
FIG. 5 is a right side view thereof;
FIG. 6 is a top view thereof;
FIG. 7 is a bottom view thereof; and,
FIG. 8 is a perspective view thereof, shown in an open position.

The broken lines depicts portions of the grinding device that form no part of the claimed design.

1 Claim, 8 Drawing Sheets



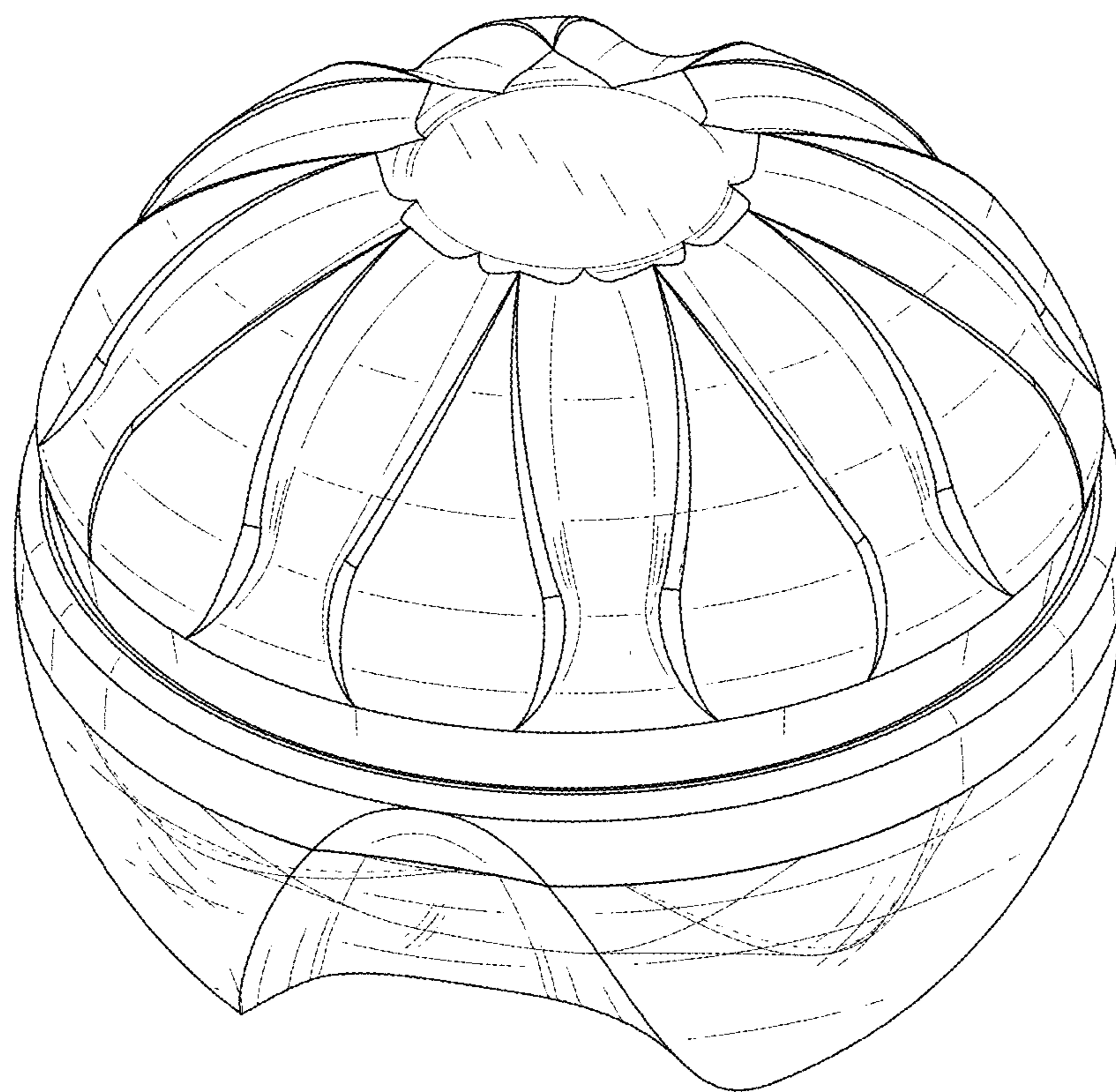


FIG. 1

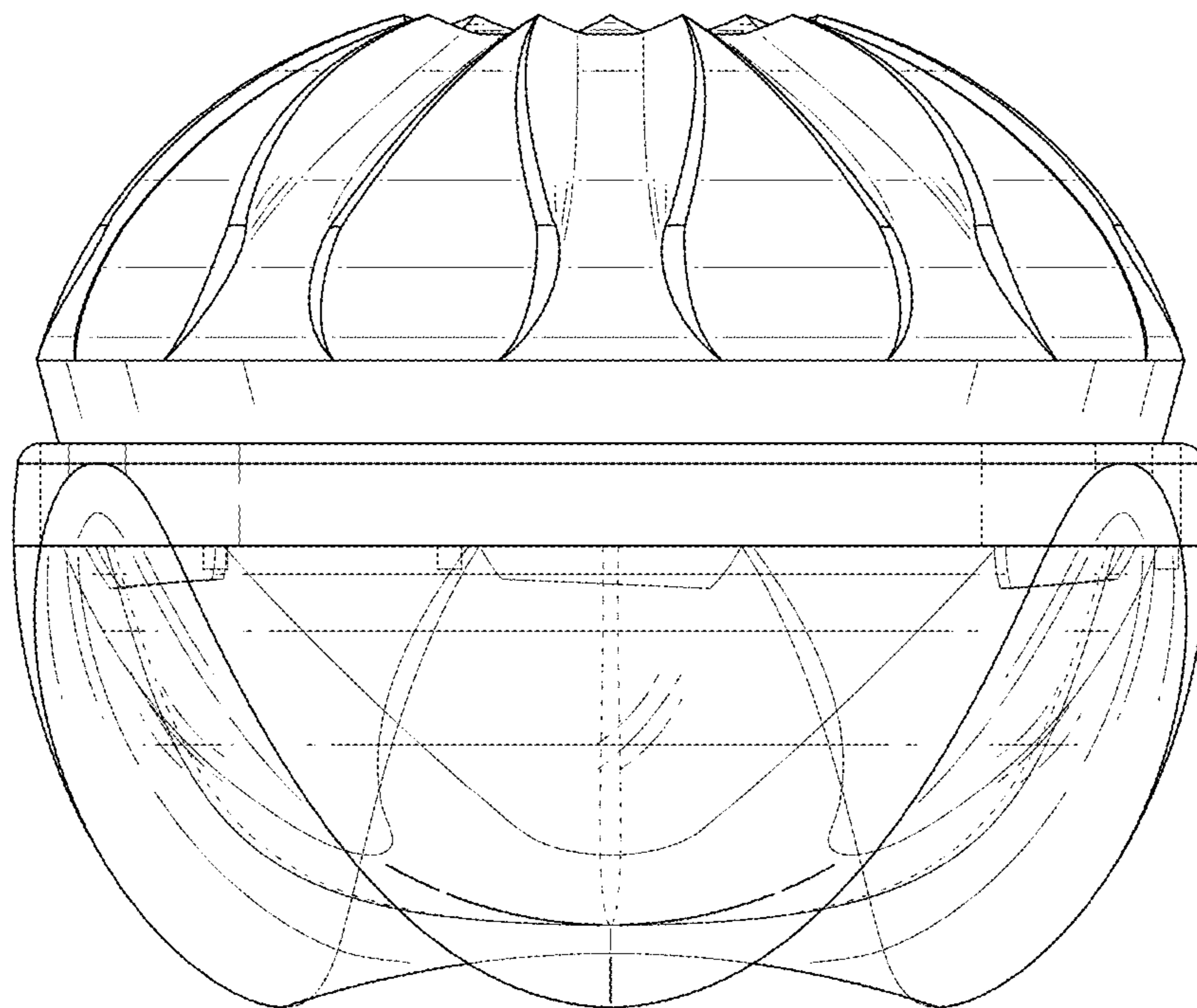


FIG.2

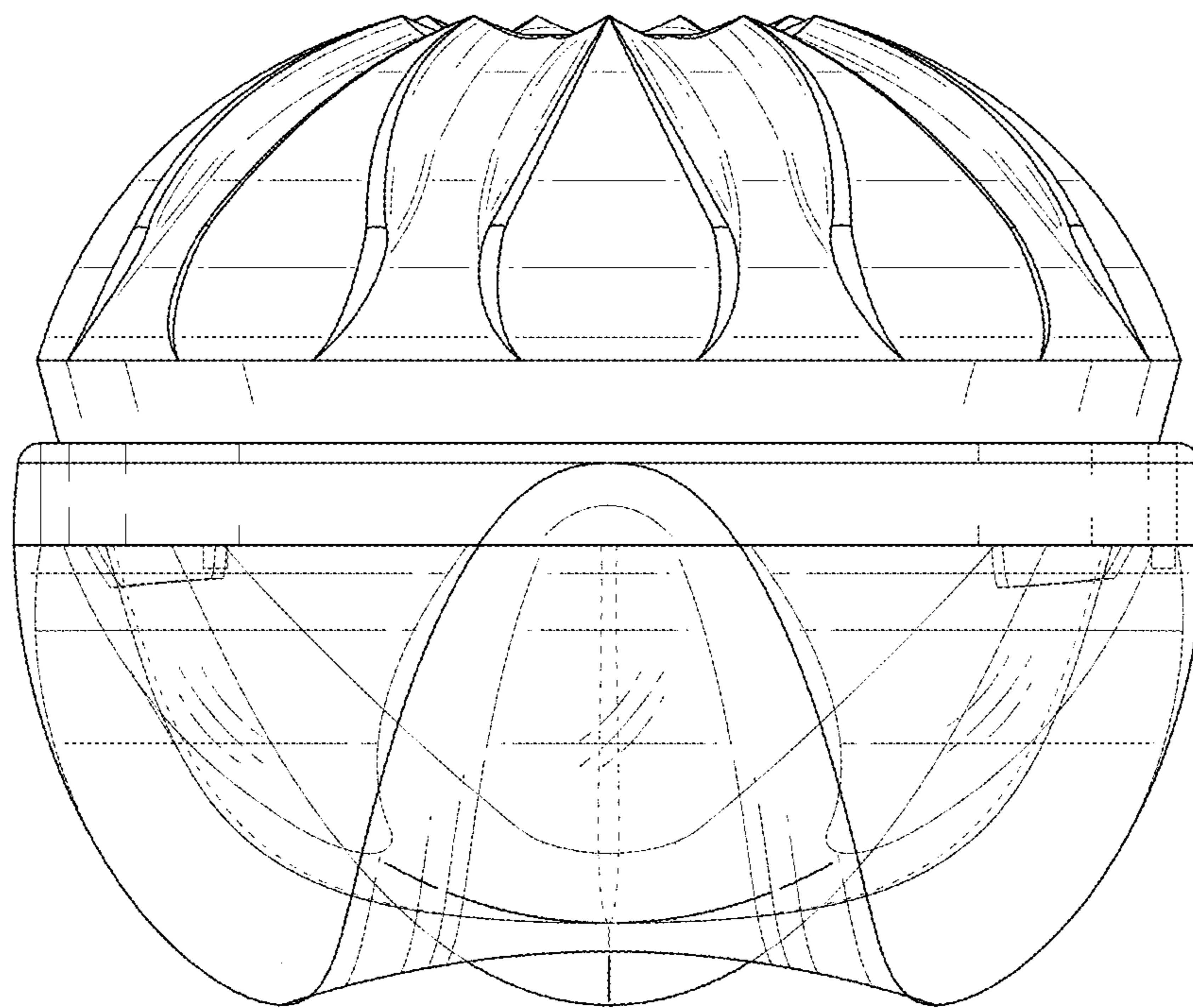


FIG. 3

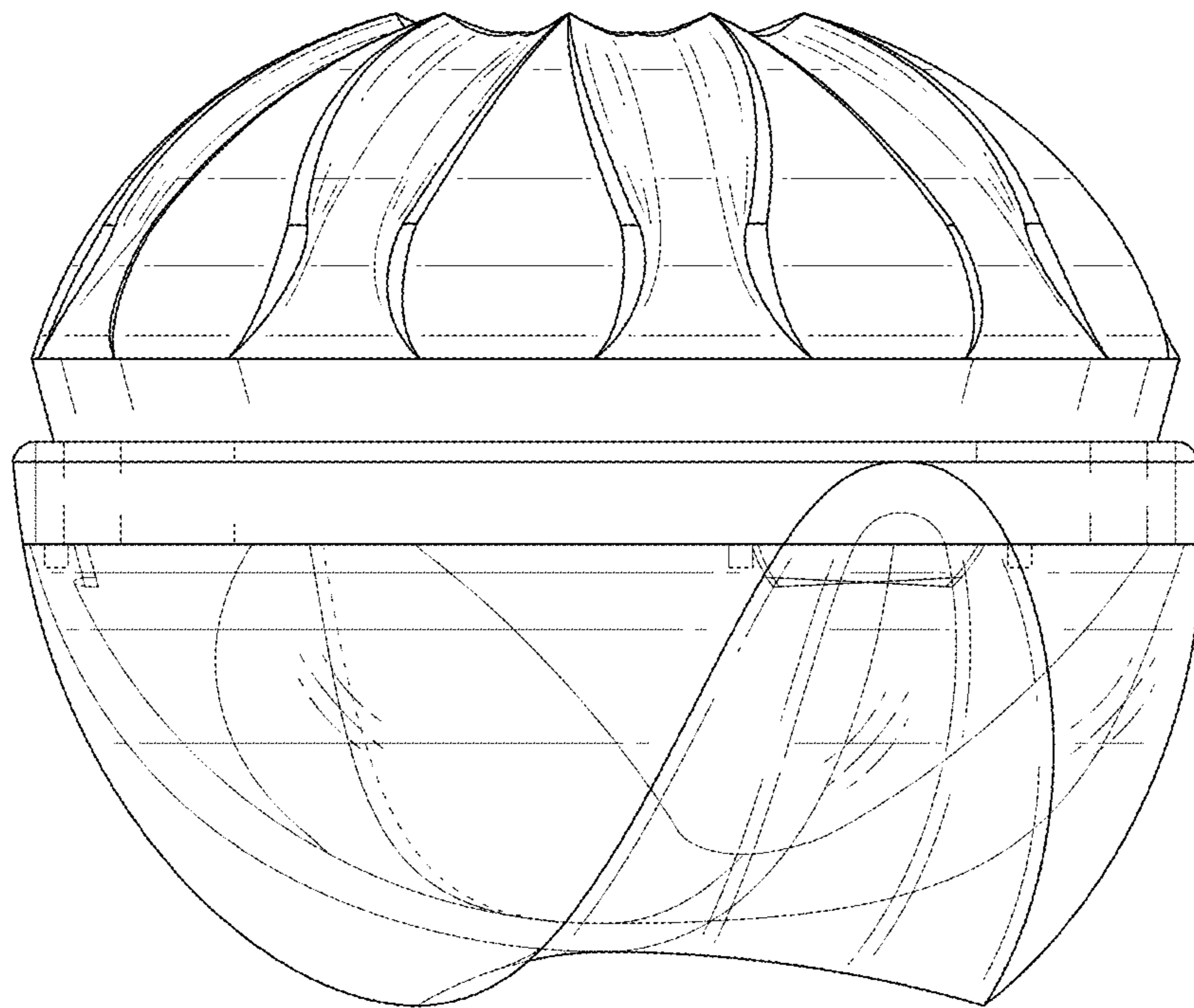


FIG.4

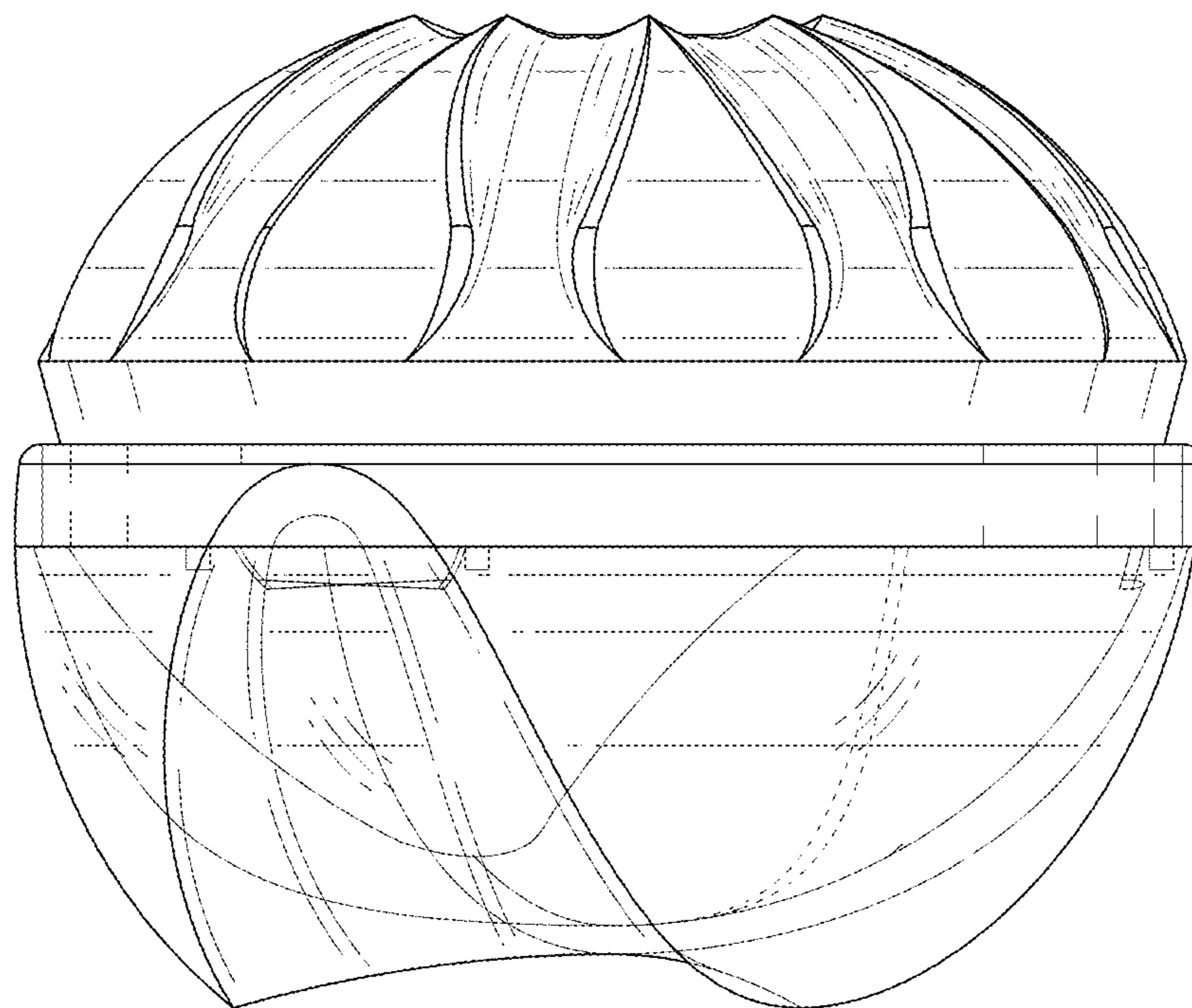


FIG. 5

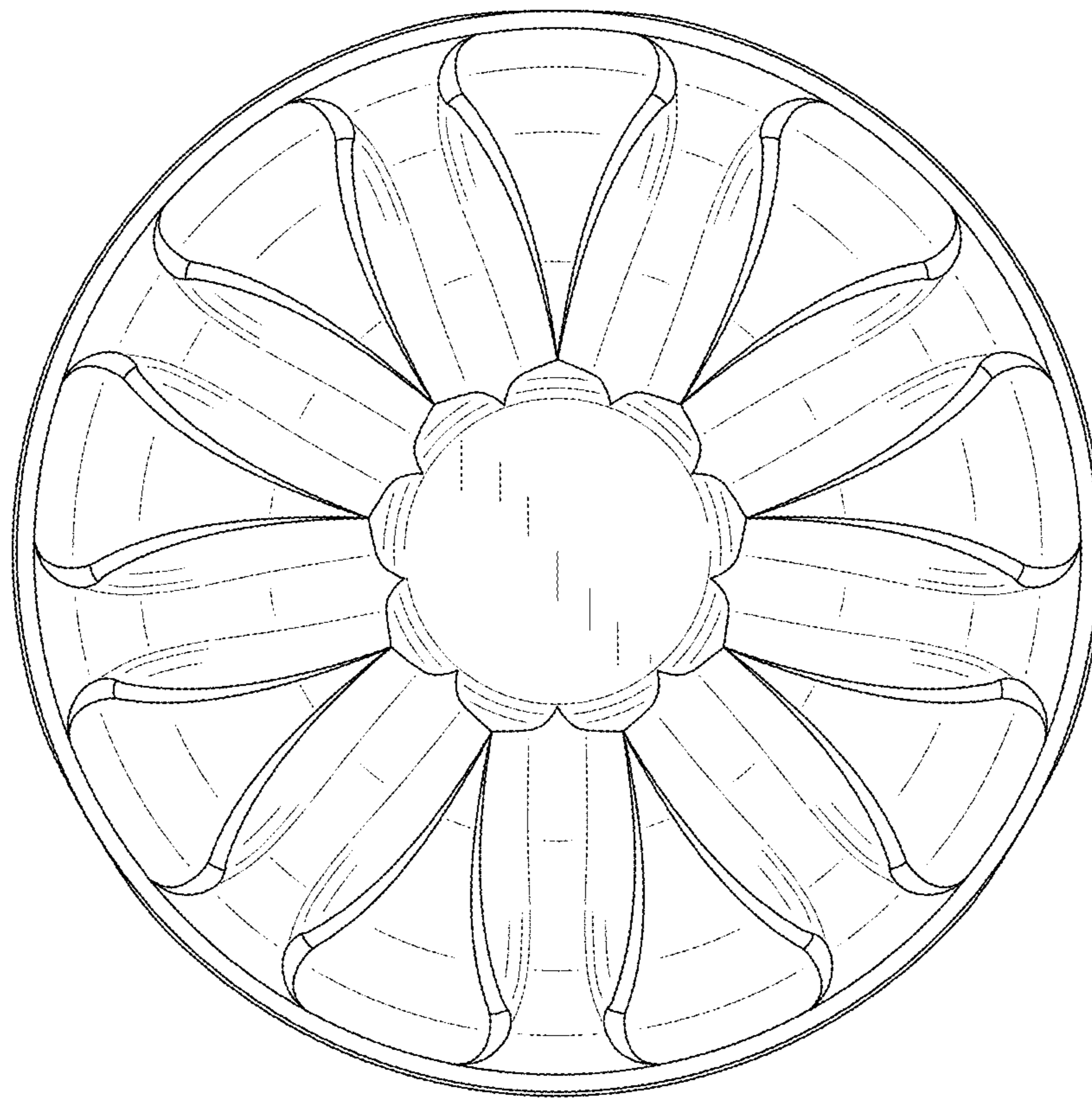


FIG. 6

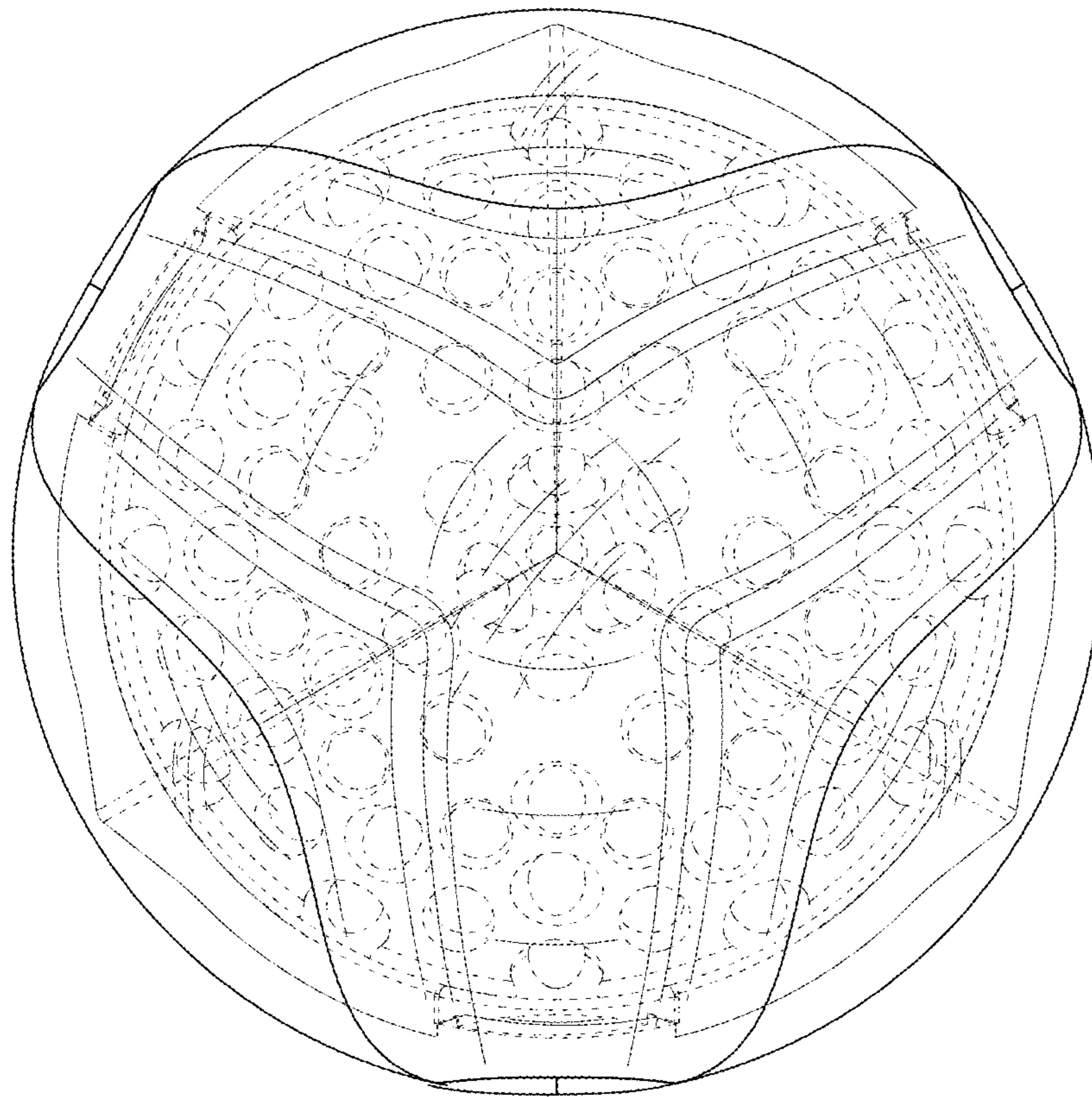


FIG. 7

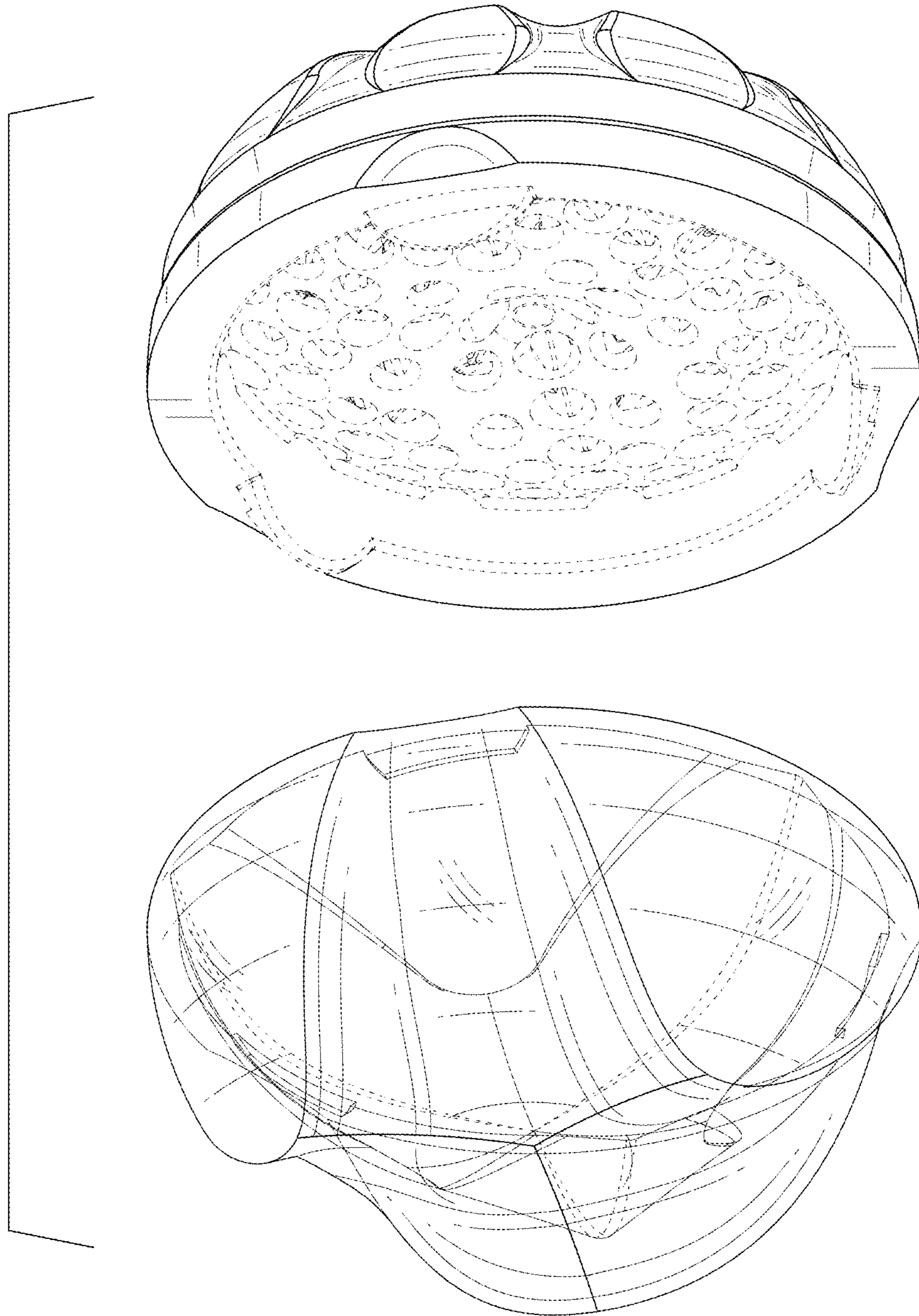


FIG. 8