



US00D936432S

(12) **United States Design Patent** (10) **Patent No.:** **US D936,432 S**
Bamonte et al. (45) **Date of Patent:** **** Nov. 23, 2021**

(54) **FOOD PRESERVATION CONTAINER**

(71) Applicants: **Erica Bamonte**, Howell, NJ (US);
April Bamonte, Howell, NJ (US)

(72) Inventors: **Erica Bamonte**, Howell, NJ (US);
April Bamonte, Howell, NJ (US)

(**) Term: **15 Years**

(21) Appl. No.: **29/674,747**

(22) Filed: **Dec. 25, 2018**

(51) **LOC (13) Cl.** **09-07**

(52) **U.S. Cl.**
USPC **D7/629**

(58) **Field of Classification Search**
USPC D7/601, 602, 619.1, 629, 630, 396.1,
D7/396.2, 397, 398, 399, 400, 401.1, 213;
D21/694; D25/113, 164; D24/216, 224;
D26/113, 138; D23/259, 260
CPC B65D 1/00; B65D 1/10; B65D 81/3837;
F16L 55/115; F16L 55/1286
See application file for complete search history.

(56) **References Cited**

U.S. PATENT DOCUMENTS

D497,778 S * 11/2004 Rich D7/608
D557,994 S * 12/2007 Wahl D7/608

D784,812 S * 4/2017 Miller D9/454
D828,113 S * 9/2018 Fleischhut D7/608
D836,389 S * 12/2018 Abante D7/392.1
10,414,558 B2 * 9/2019 Kim B65D 41/04
D871,133 S * 12/2019 Bullock D7/392.1
2016/0069378 A1 * 3/2016 Zook B64D 45/02
215/341
2019/0047773 A1 * 2/2019 Bullock A47J 41/0072

* cited by examiner

Primary Examiner — Susan E Krakower
Assistant Examiner — Andrew Kerr

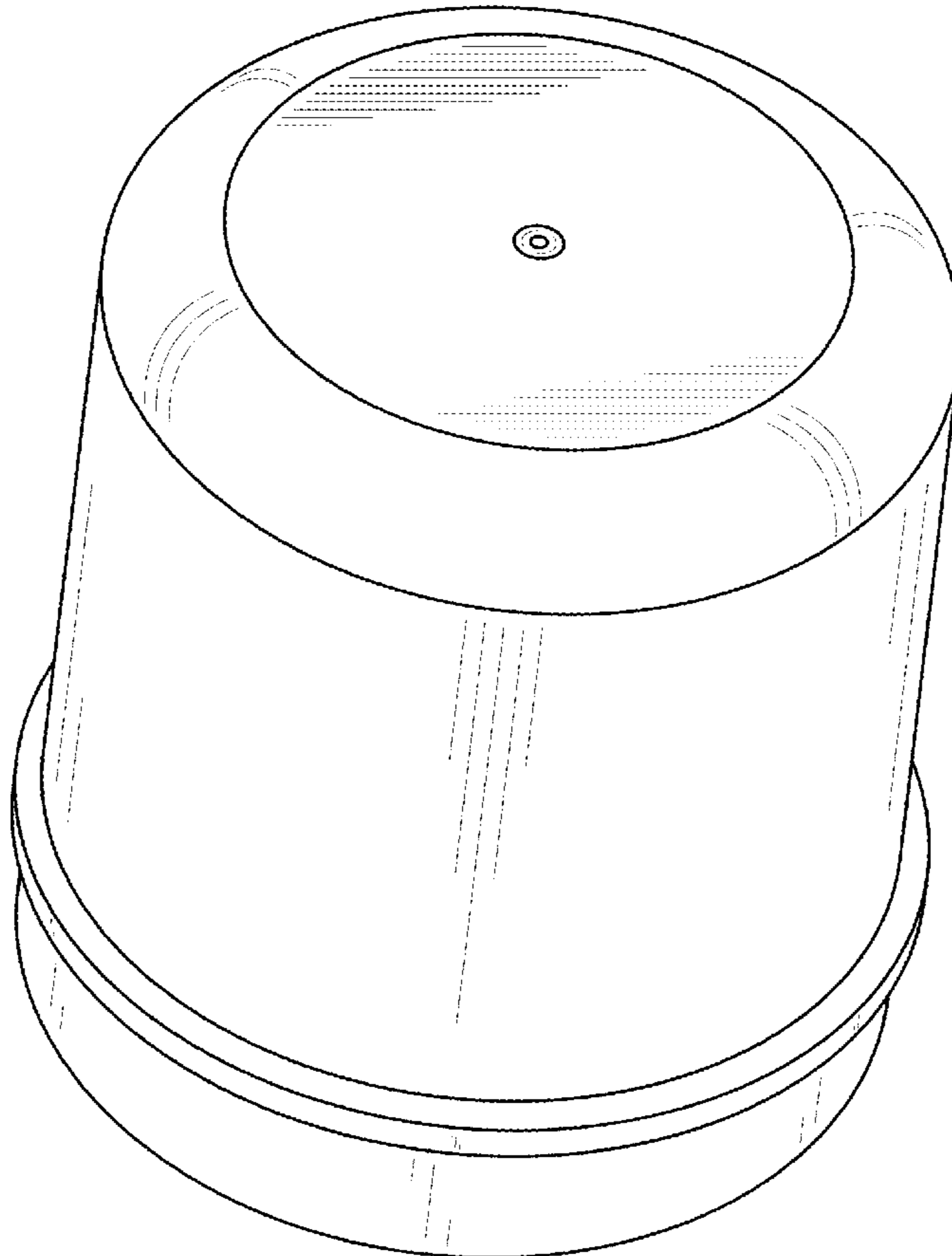
(57) **CLAIM**

We claim the ornamental design for a food preservation container, as shown and described.

DESCRIPTION

FIG. 1 is a top perspective view of a food preservation container, showing our new design.
FIG. 2 is a side view thereof.
FIG. 3 is another side view thereof.
FIG. 4 is another side view thereof.
FIG. 5 is another side view thereof.
FIG. 6 is a top view thereof; and,
FIG. 7 is a bottom view thereof.

1 Claim, 7 Drawing Sheets



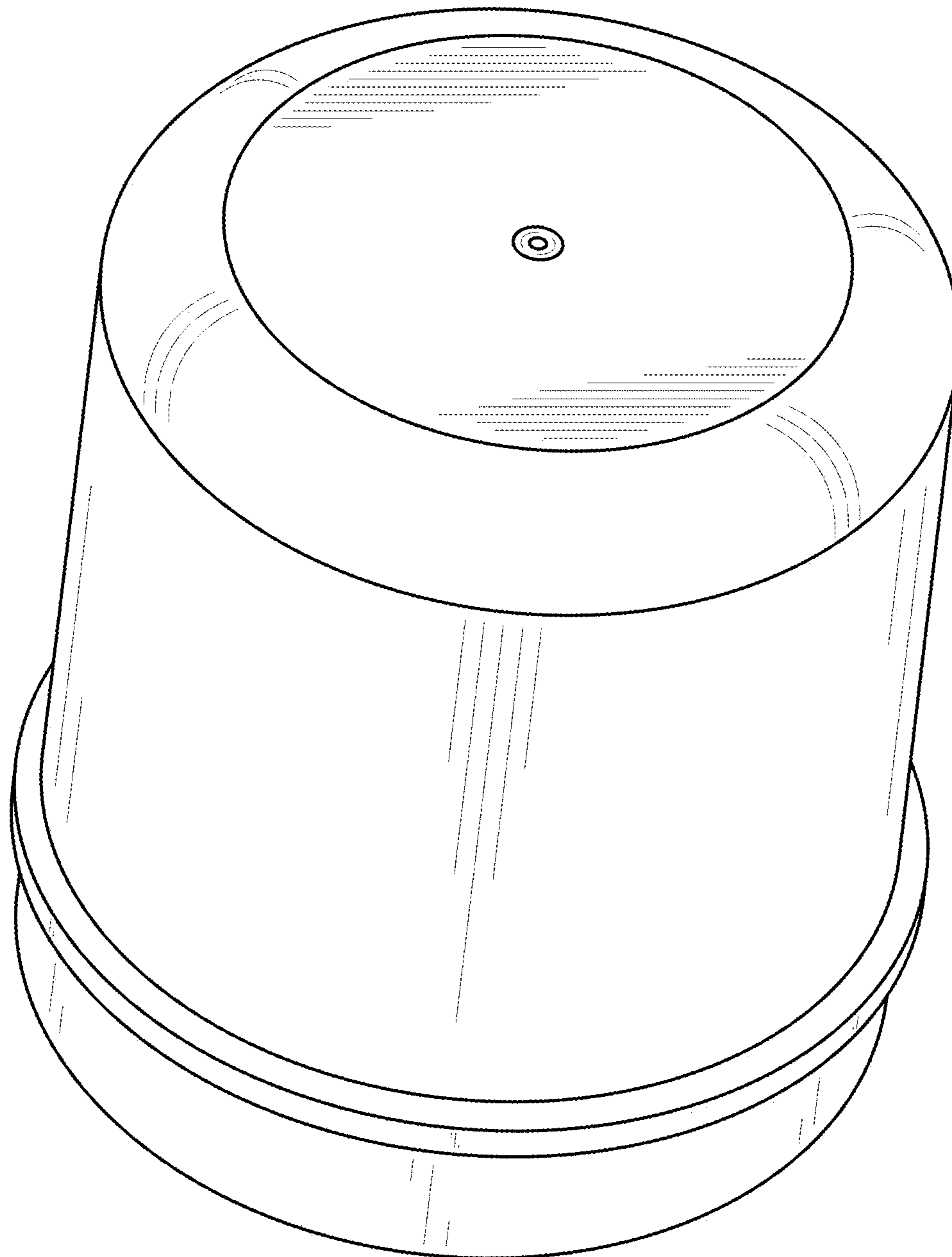


FIG. 1

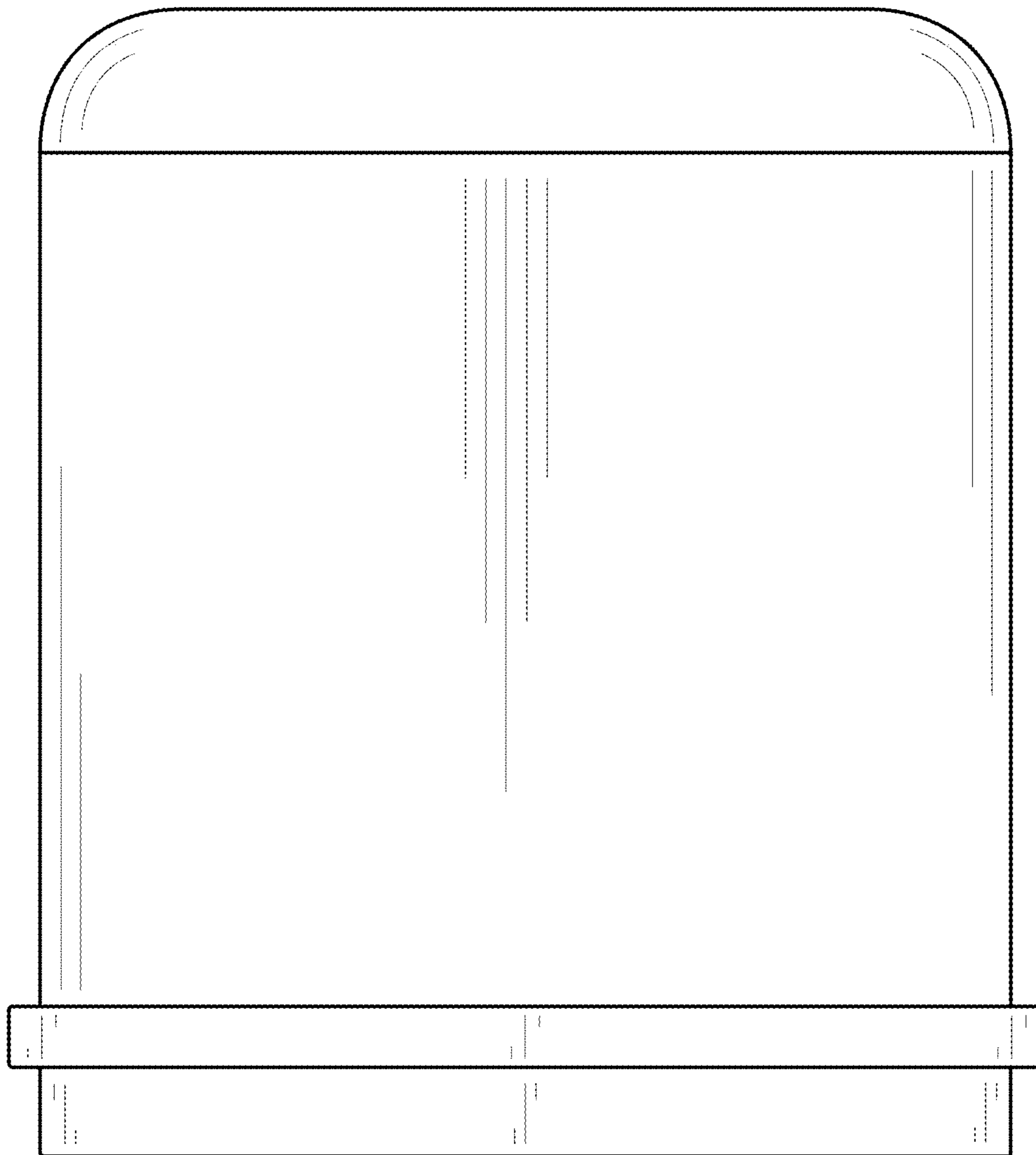


FIG. 2

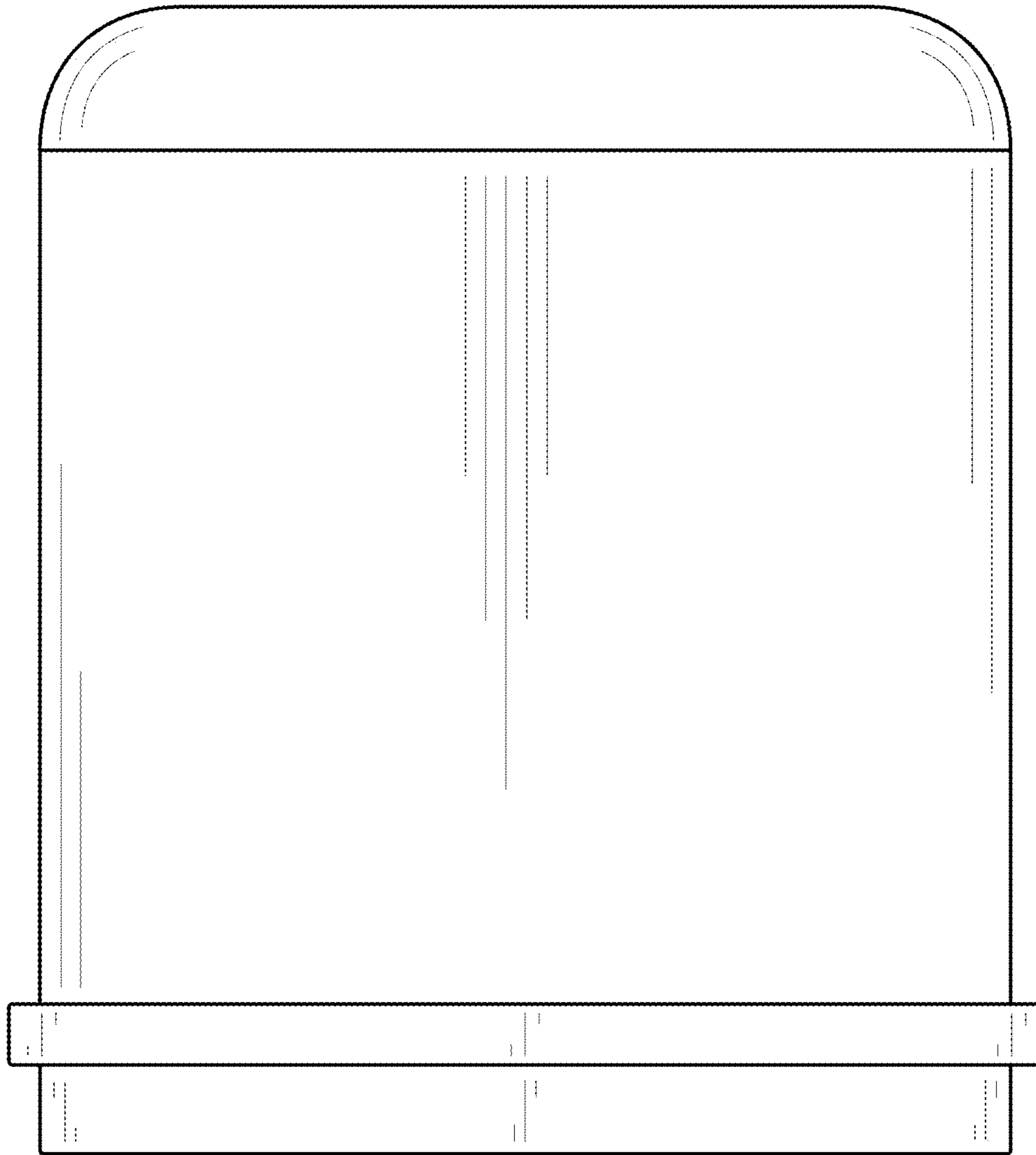


FIG. 3

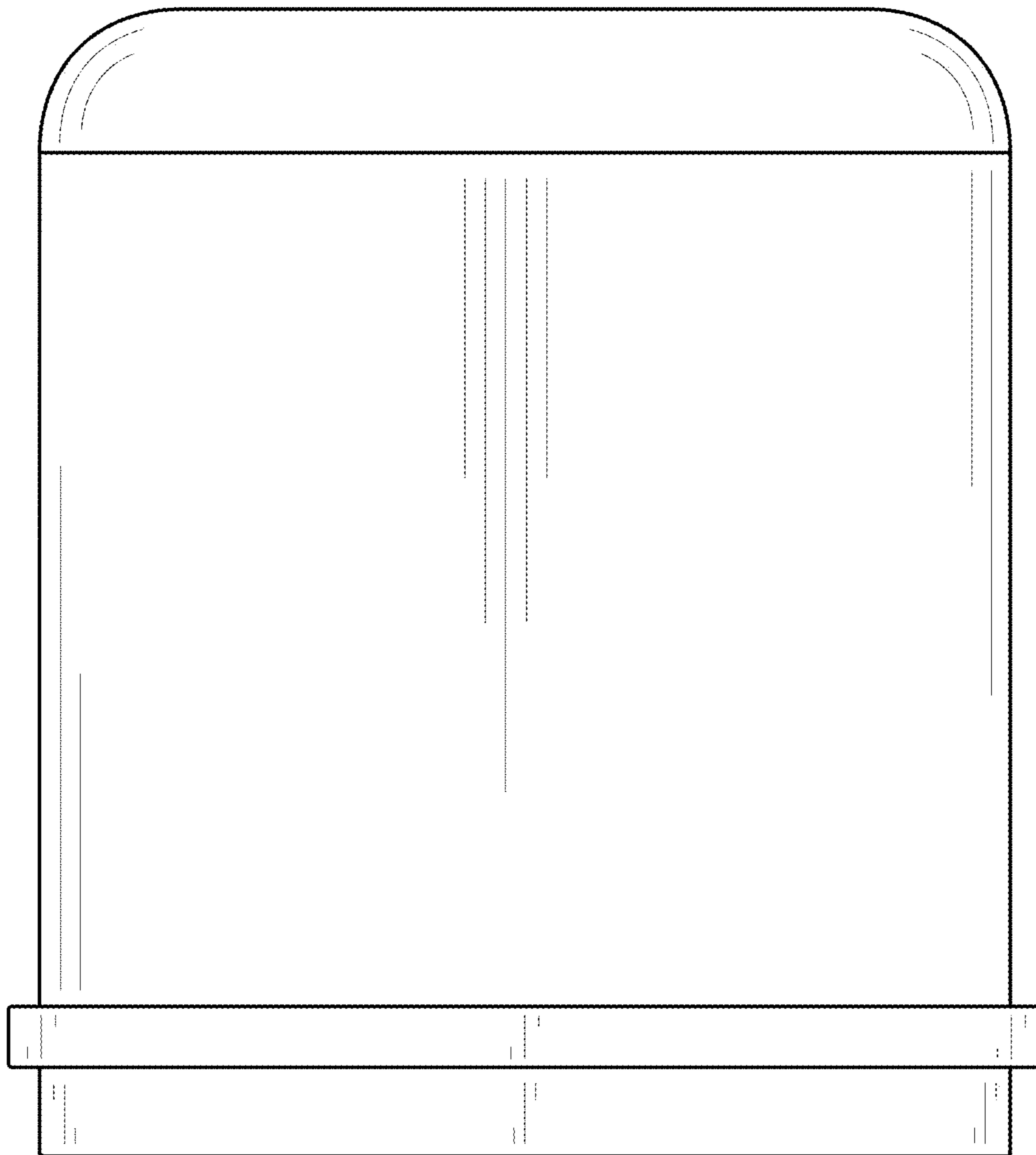


FIG. 4

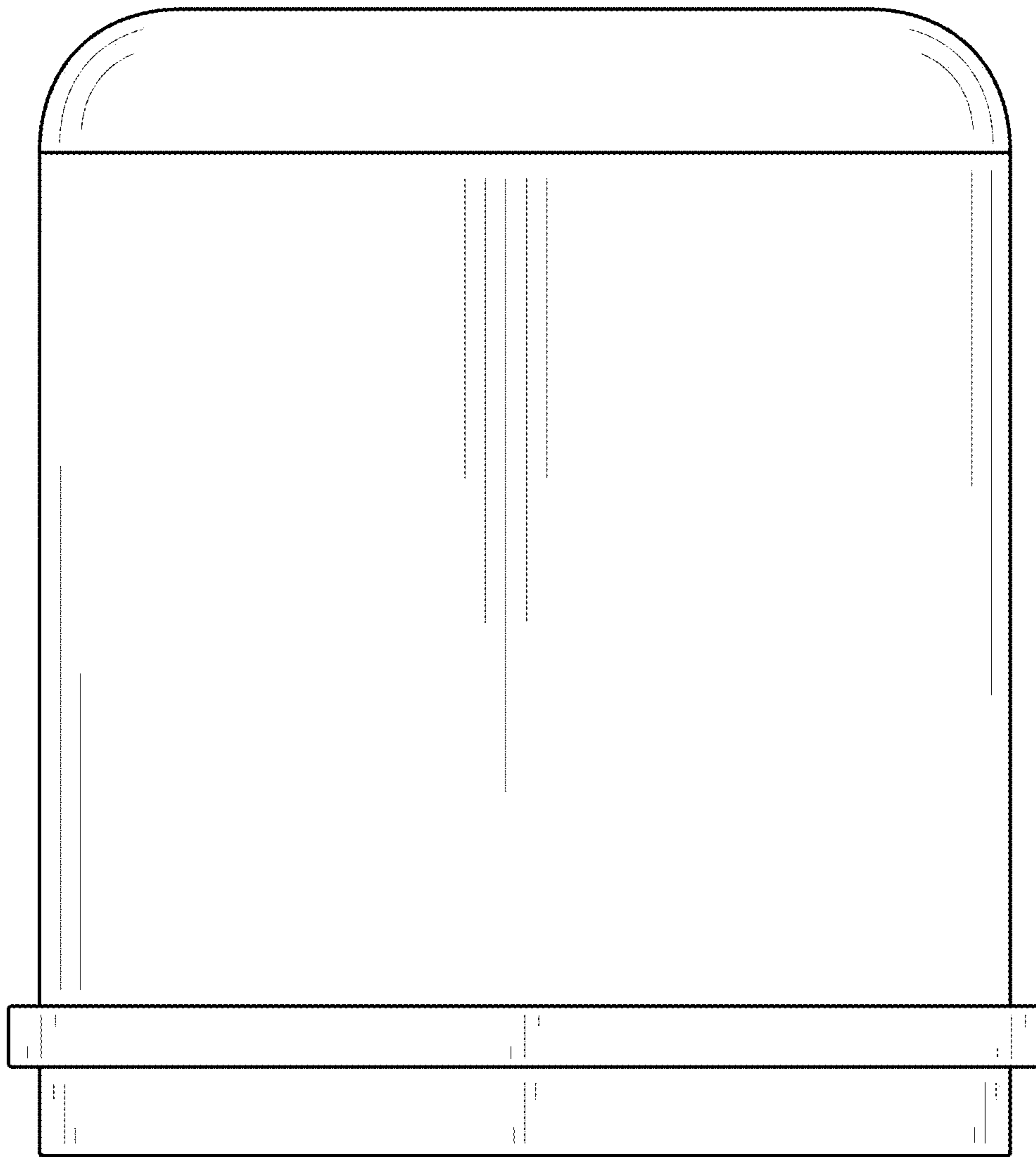


FIG. 5

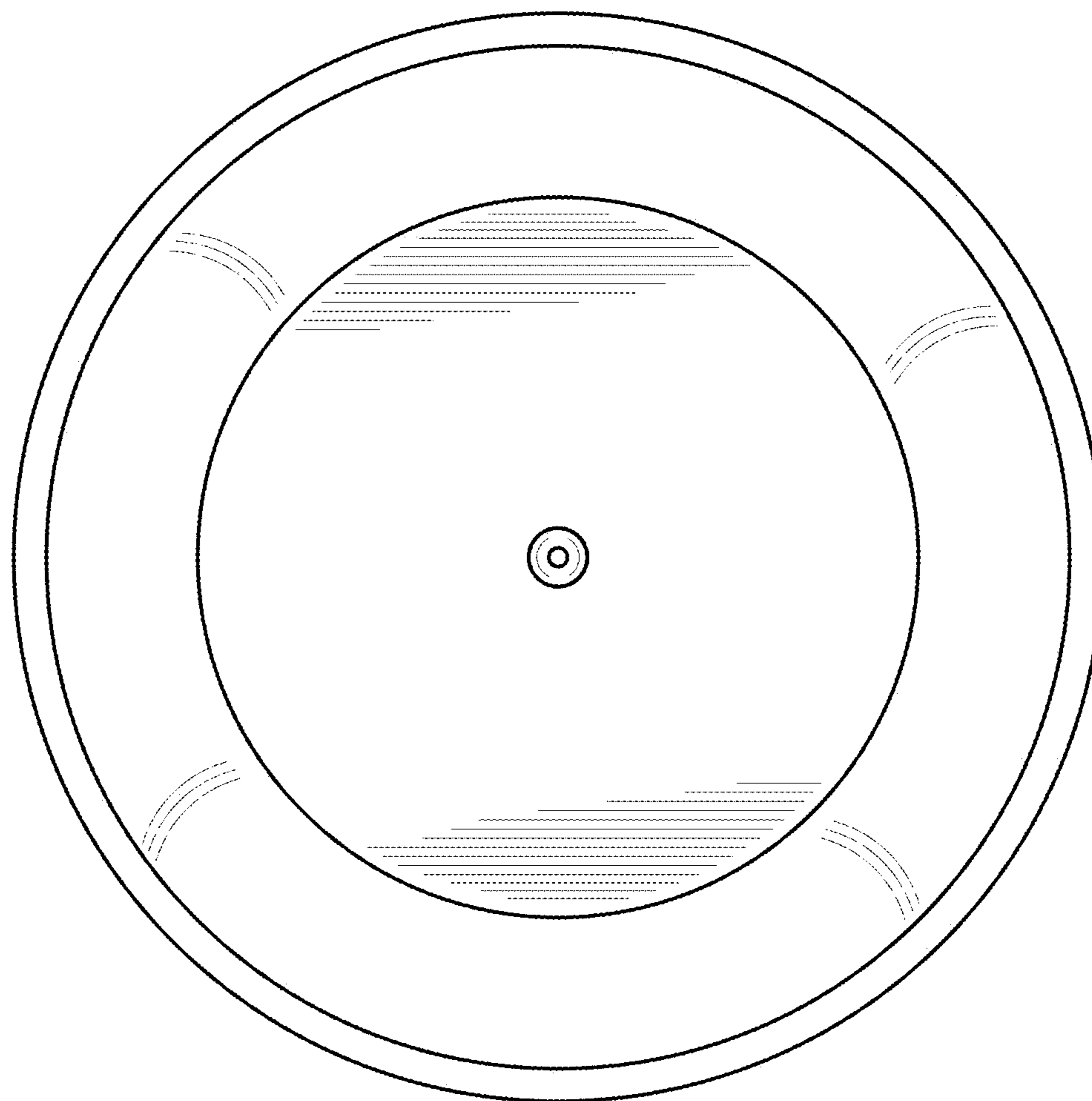


FIG. 6

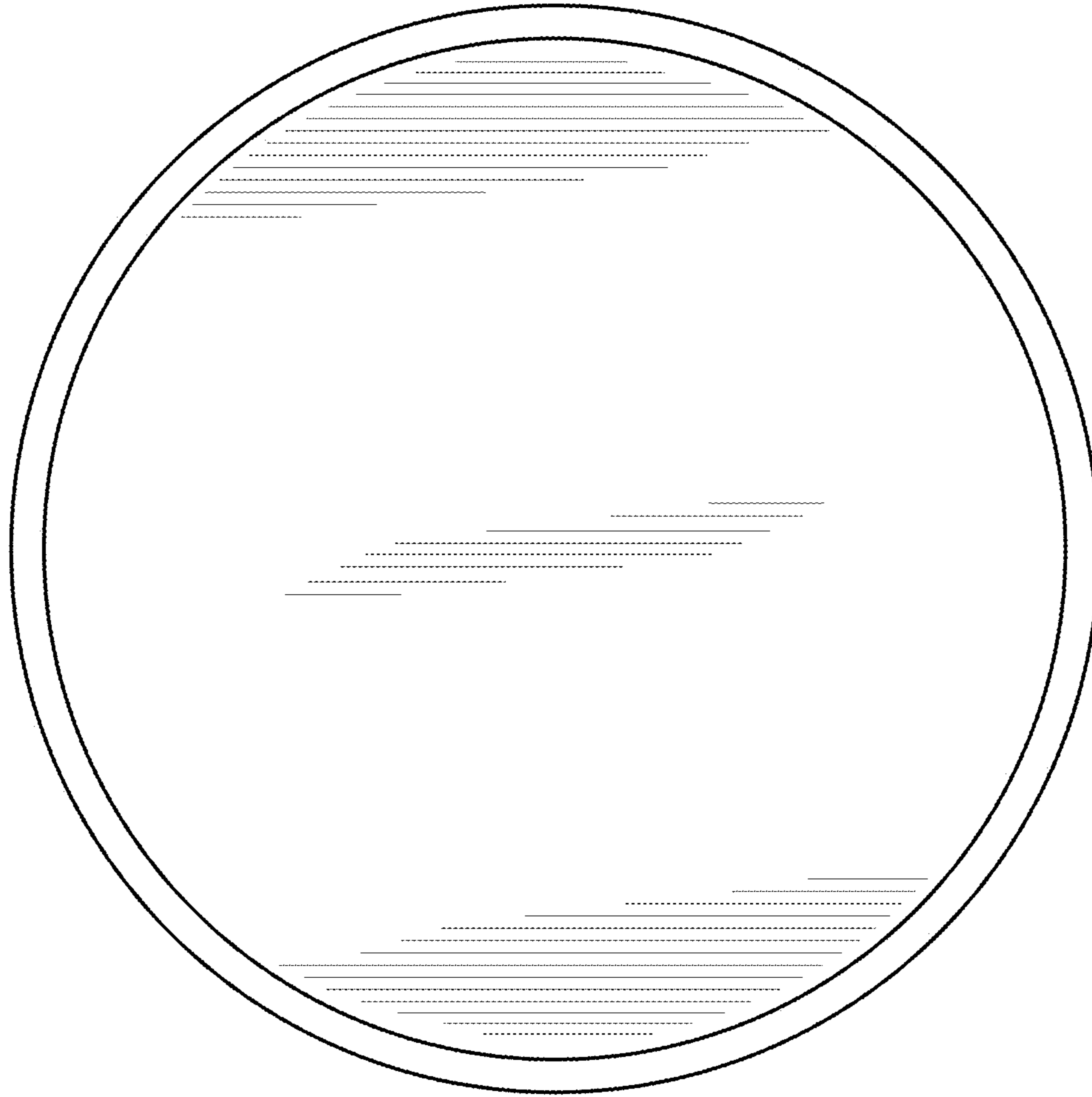


FIG. 7