



US00D936431S

(12) **United States Design Patent** (10) **Patent No.:** **US D936,431 S**
Senn (45) **Date of Patent:** **** Nov. 23, 2021**

- (54) **CONTAINER HOLDER**
- (71) Applicant: **Kevin Senn**, Harris, TX (US)
- (72) Inventor: **Kevin Senn**, Harris, TX (US)
- (**) Term: **15 Years**
- (21) Appl. No.: **29/721,783**
- (22) Filed: **Jan. 23, 2020**

- D468,489 S * 1/2003 Wechsler D30/132
- 6,808,149 B1 * 10/2004 Sendowski A47K 5/13
- 211/75
- D497,779 S * 11/2004 Giampavolo D7/620
- D803,552 S * 11/2017 Stoops D3/218

* cited by examiner

Primary Examiner — Terry A Wallace
(74) *Attorney, Agent, or Firm* — Pierson IP, PLLC

(57) **CLAIM**

The ornamental design for a container holder, as shown and described.

Related U.S. Application Data

- (63) Continuation-in-part of application No. 16/031,182, filed on Jul. 10, 2018, now Pat. No. 10,575,625.
- (51) **LOC (13) Cl.** **07-06**
- (52) **U.S. Cl.**
USPC **D7/620**
- (58) **Field of Classification Search**
USPC D7/619.1–625
CPC A47G 7/044; A47G 23/0216; B60N 3/10;
A47F 7/021
See application file for complete search history.

DESCRIPTION

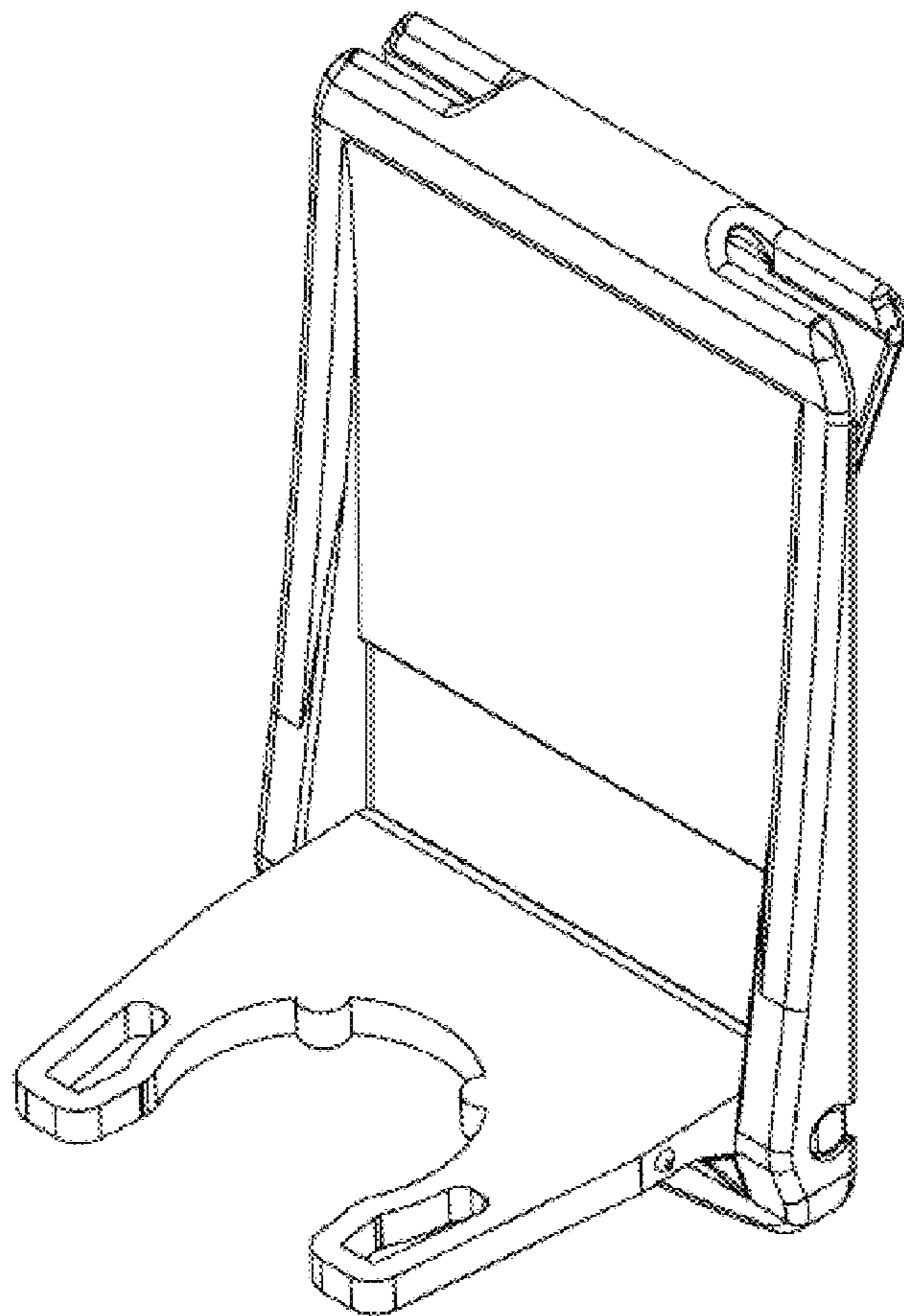
FIG. 1 is a perspective view of a container holder showing my new design in a condition of use;
FIG. 2 is a bottom view thereof;
FIG. 3 is a top view thereof;
FIG. 4 is a front view thereof;
FIG. 5 is a rear view thereof; and
FIG. 6 is a side view thereof.
FIG. 7 is a perspective view of the container holder in a condition not in use;
FIG. 8 is a bottom view thereof;
FIG. 9 is a top view thereof;
FIG. 10 is a front view thereof;
FIG. 11 is a rear view thereof; and,
FIG. 12 is a side view thereof.

(56) **References Cited**

U.S. PATENT DOCUMENTS

- D306,929 S * 3/1990 Flowers D15/17
- D456,603 S * 5/2002 Phetthaweebancha D3/215

1 Claim, 12 Drawing Sheets



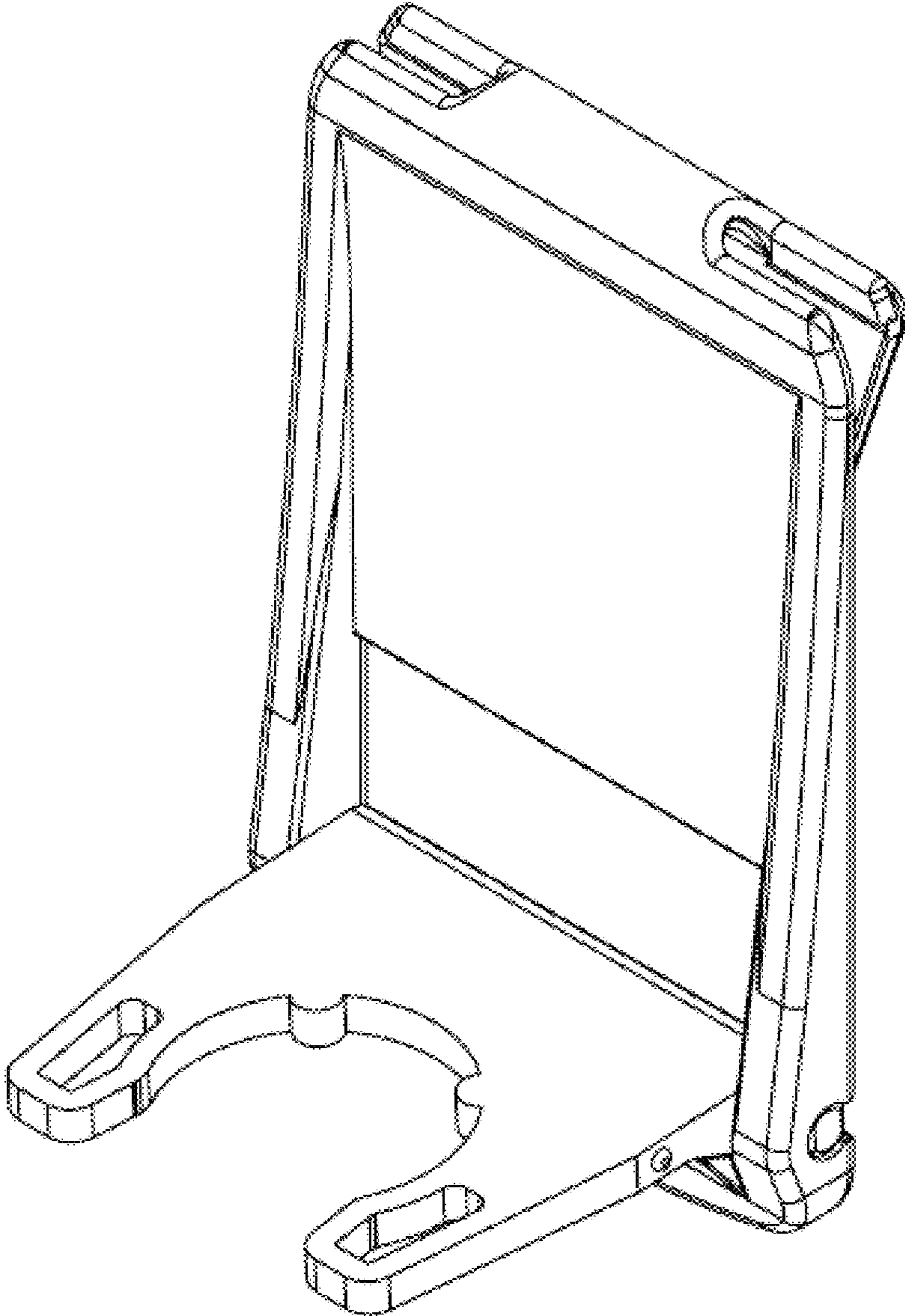


FIGURE 1

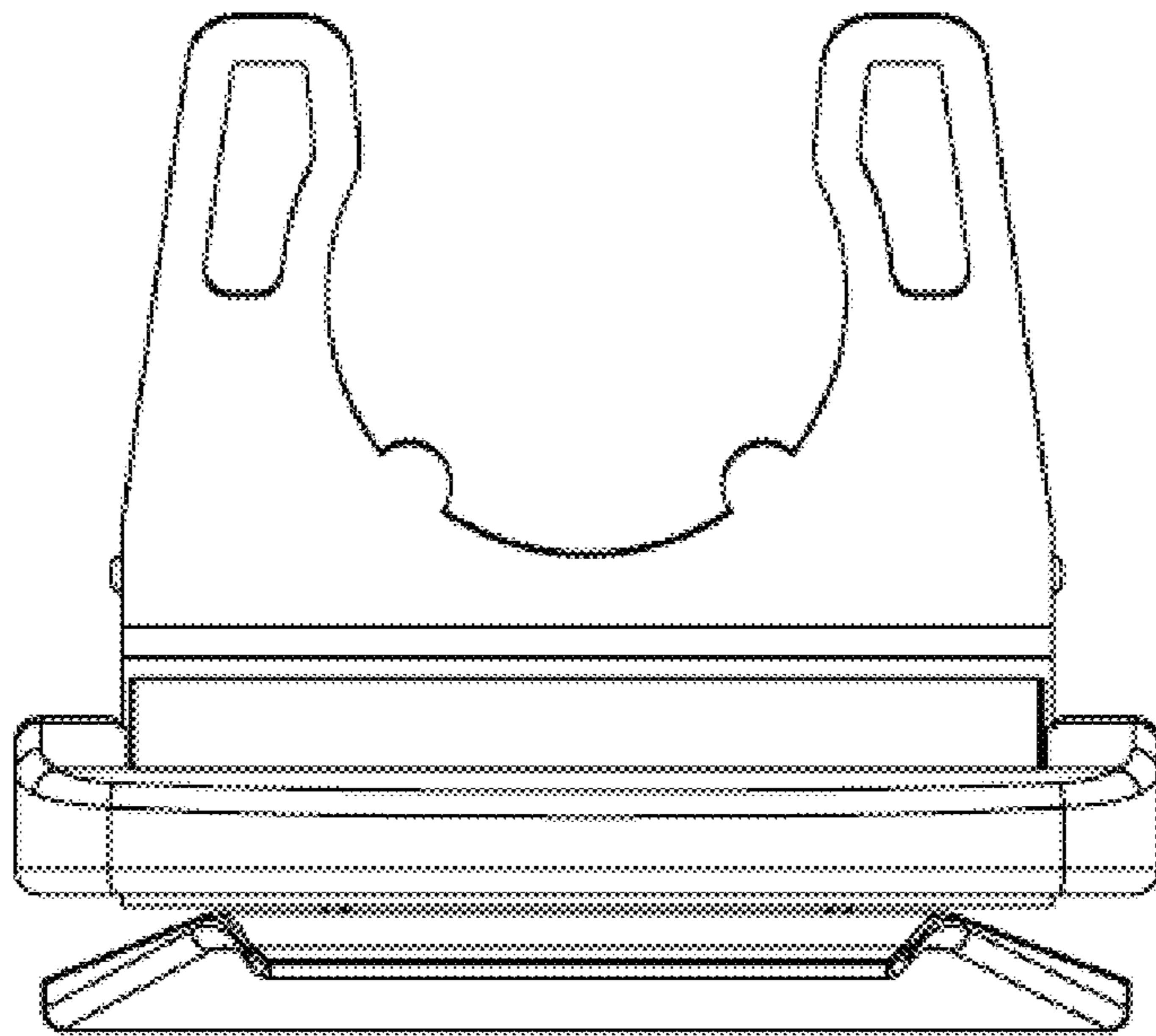


FIGURE 2

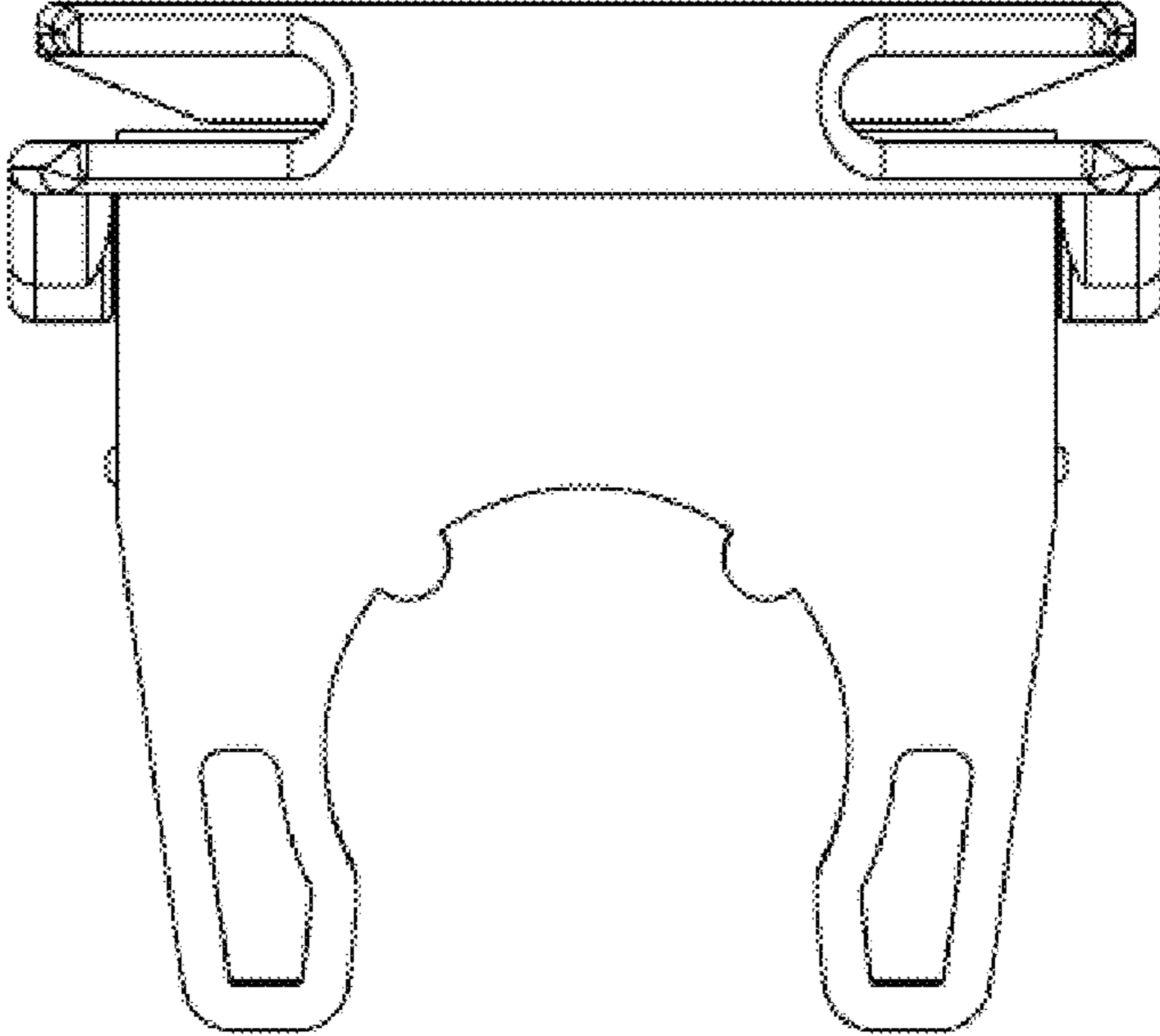


FIGURE 3

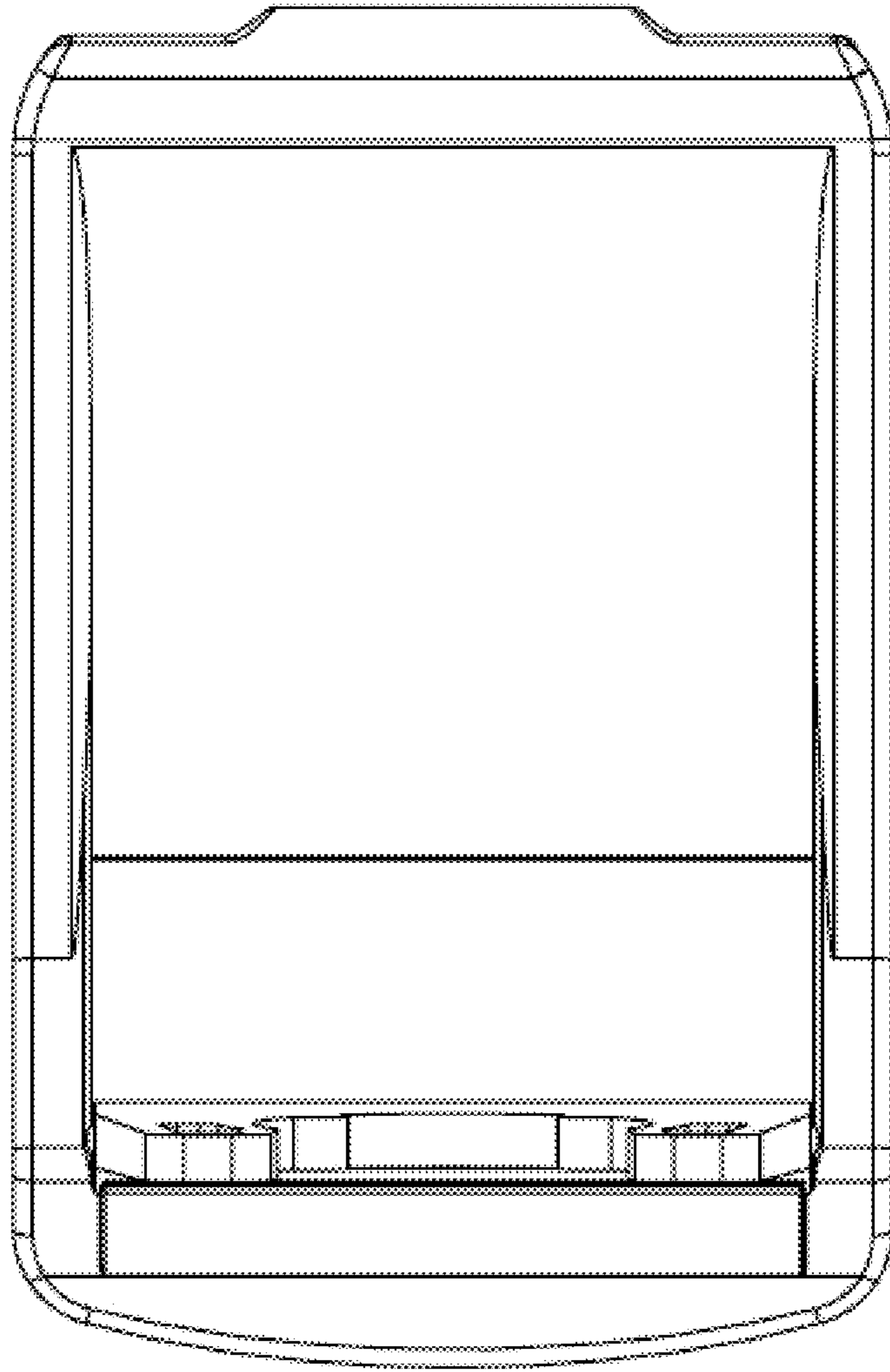


FIGURE 4

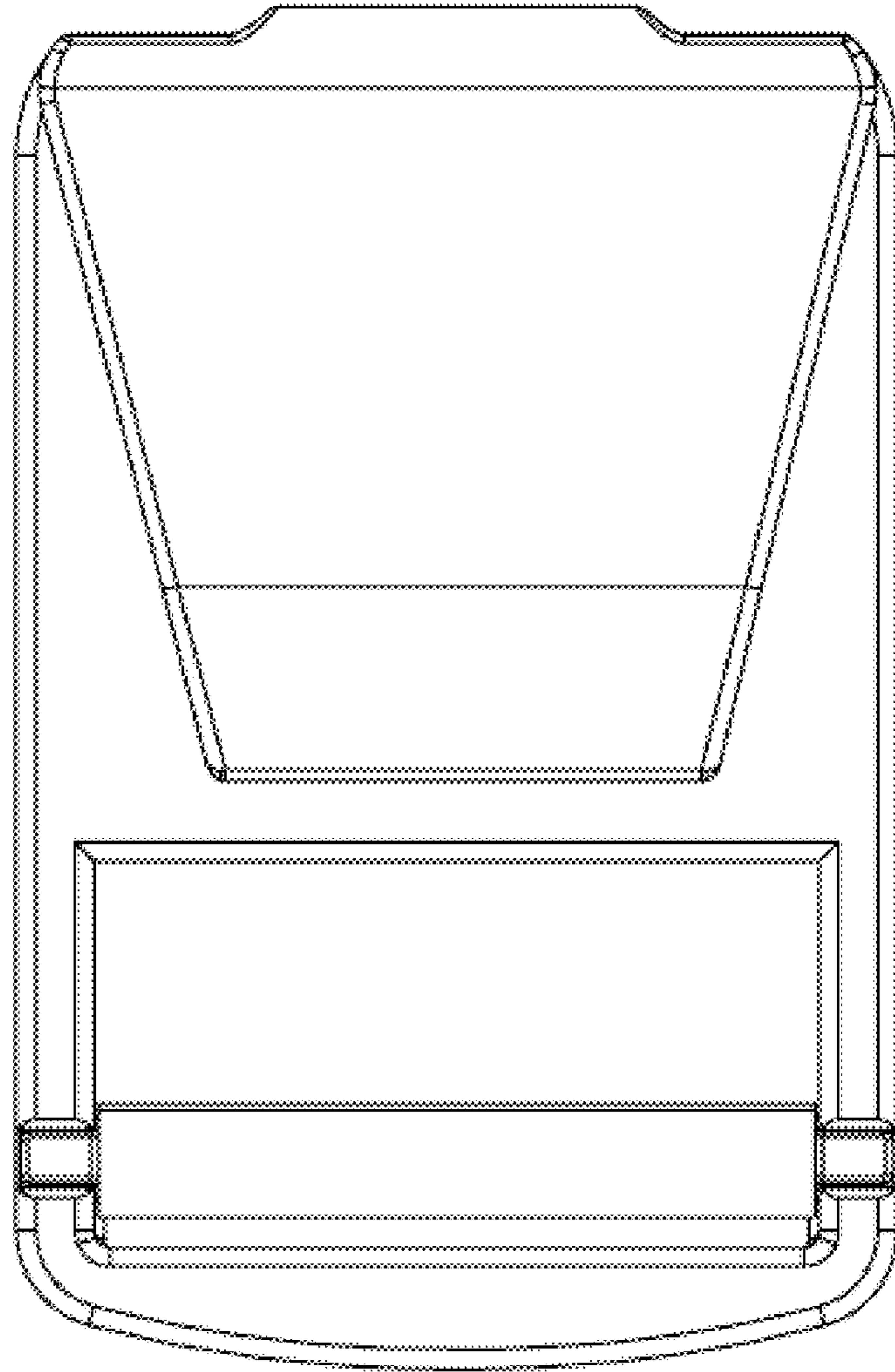


FIGURE 5

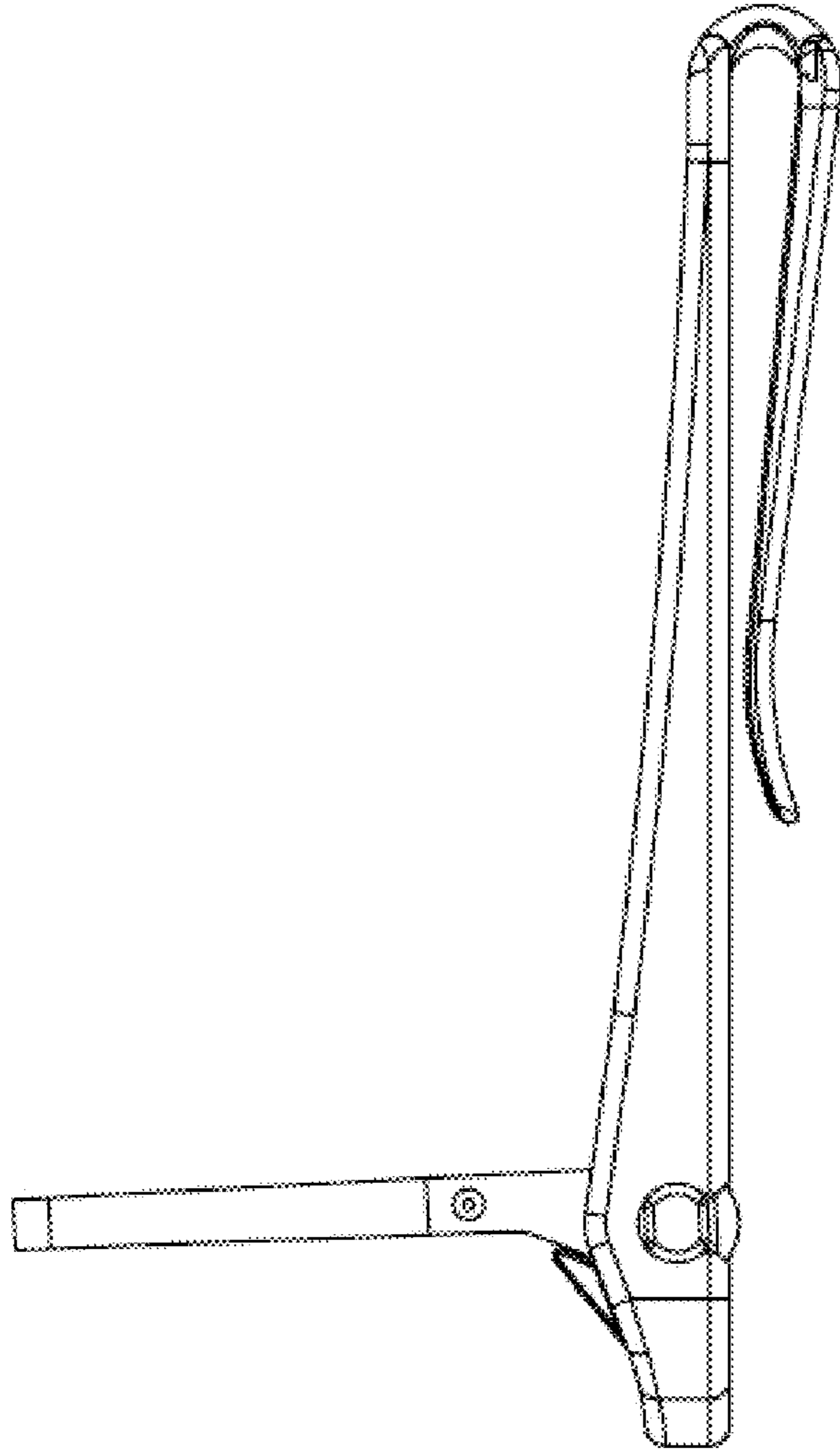


FIGURE 6

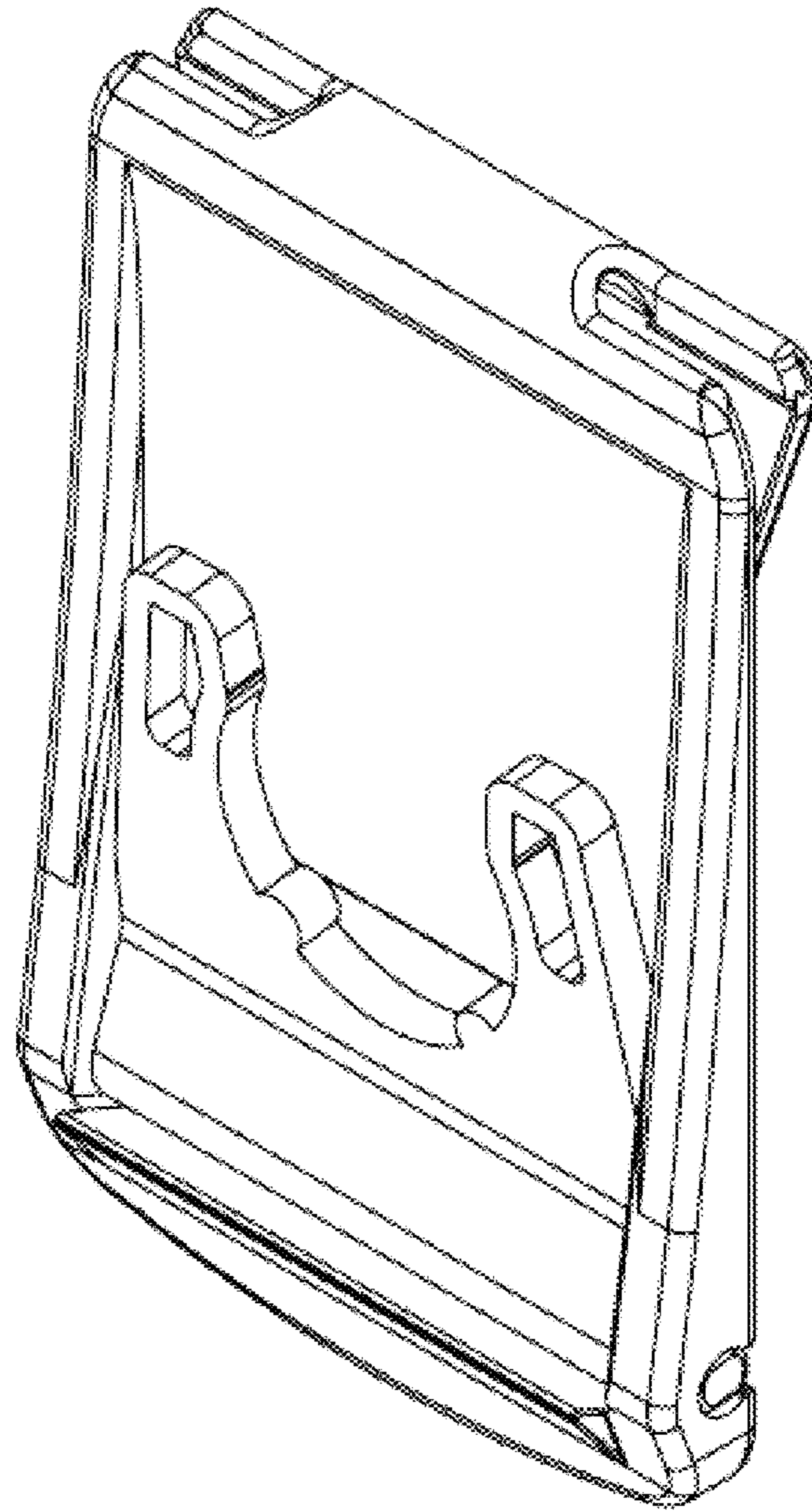


FIGURE 7

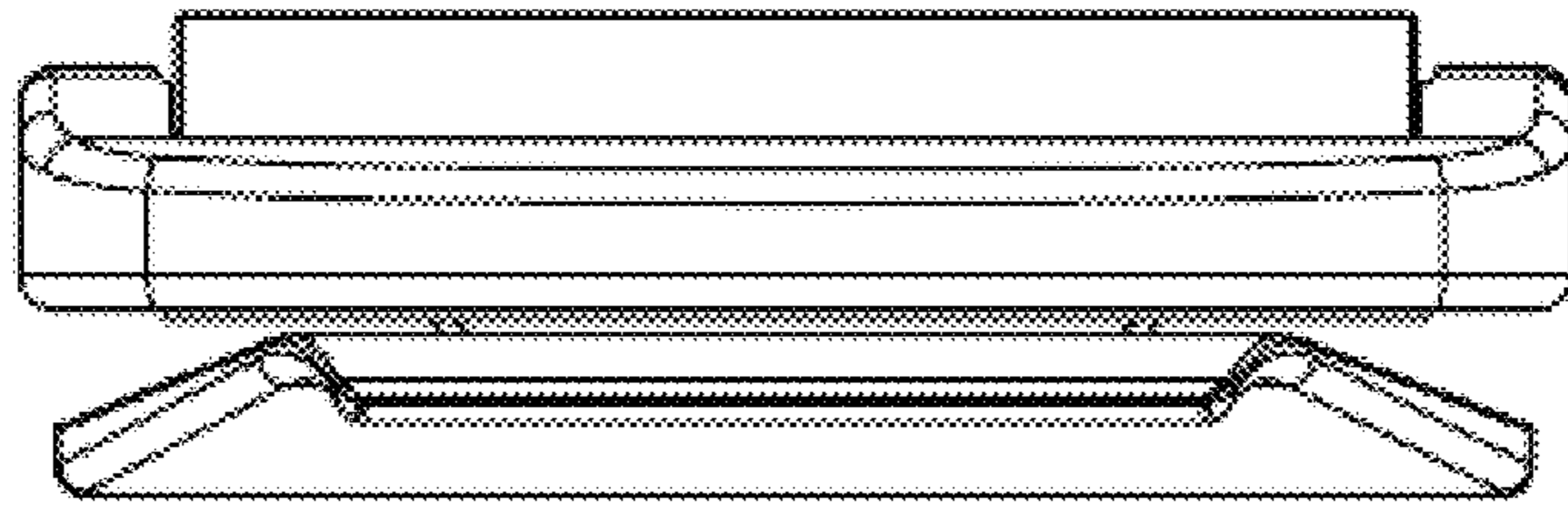


FIGURE 8

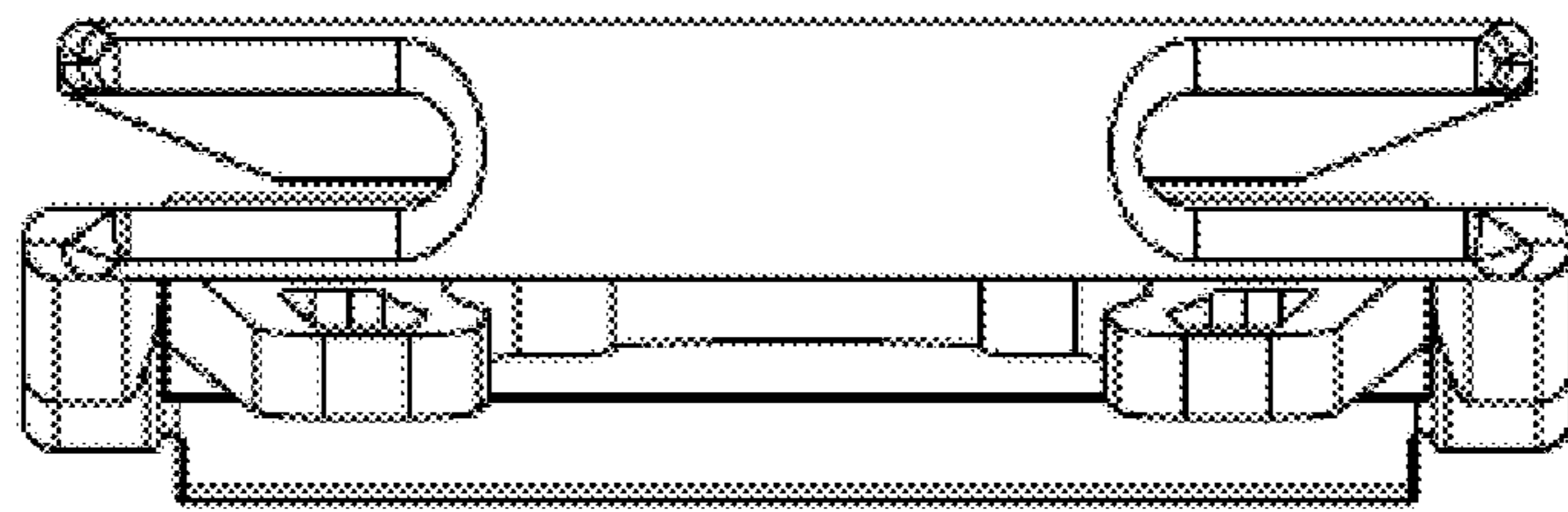


FIGURE 9

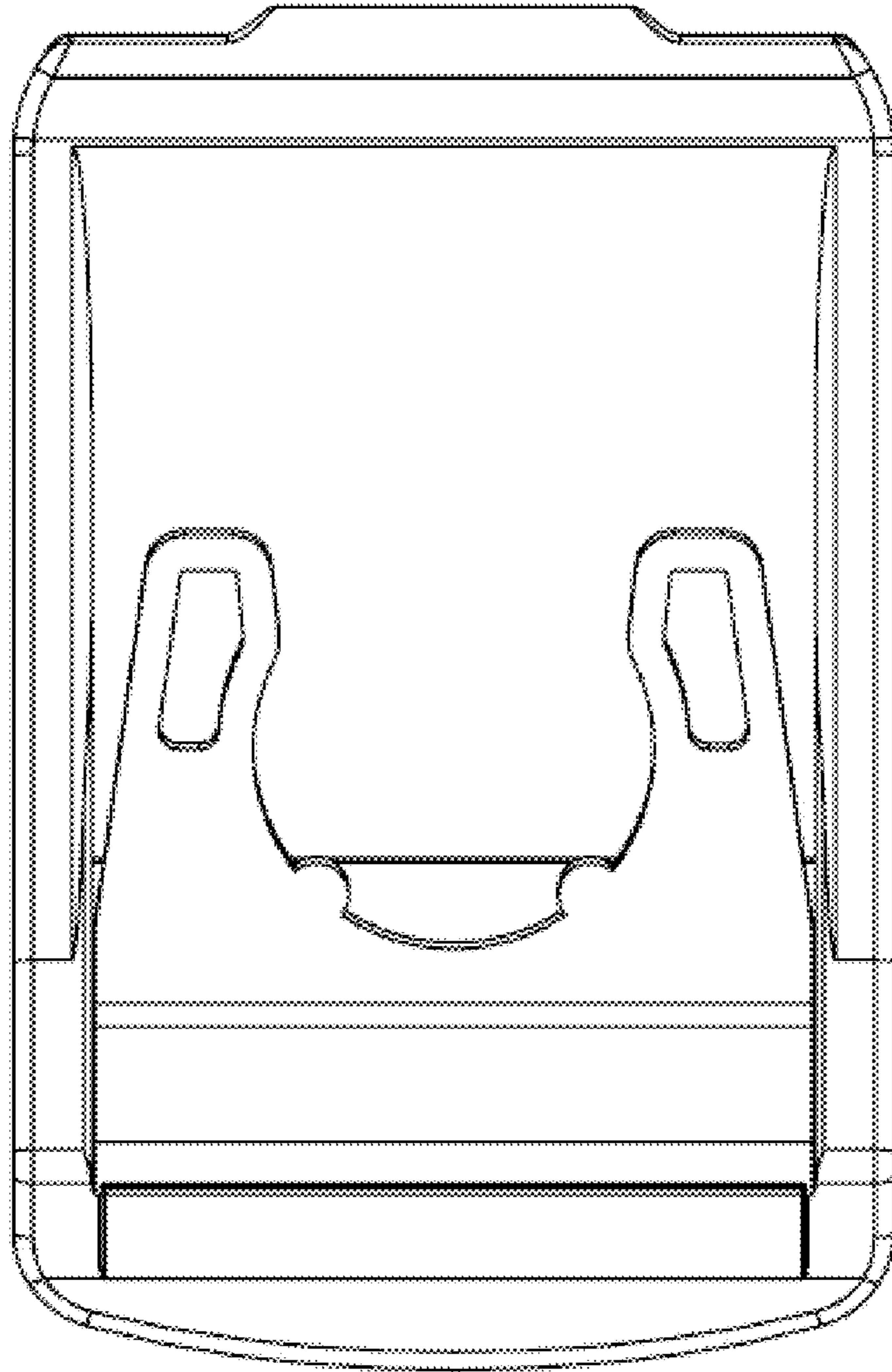


FIGURE 10

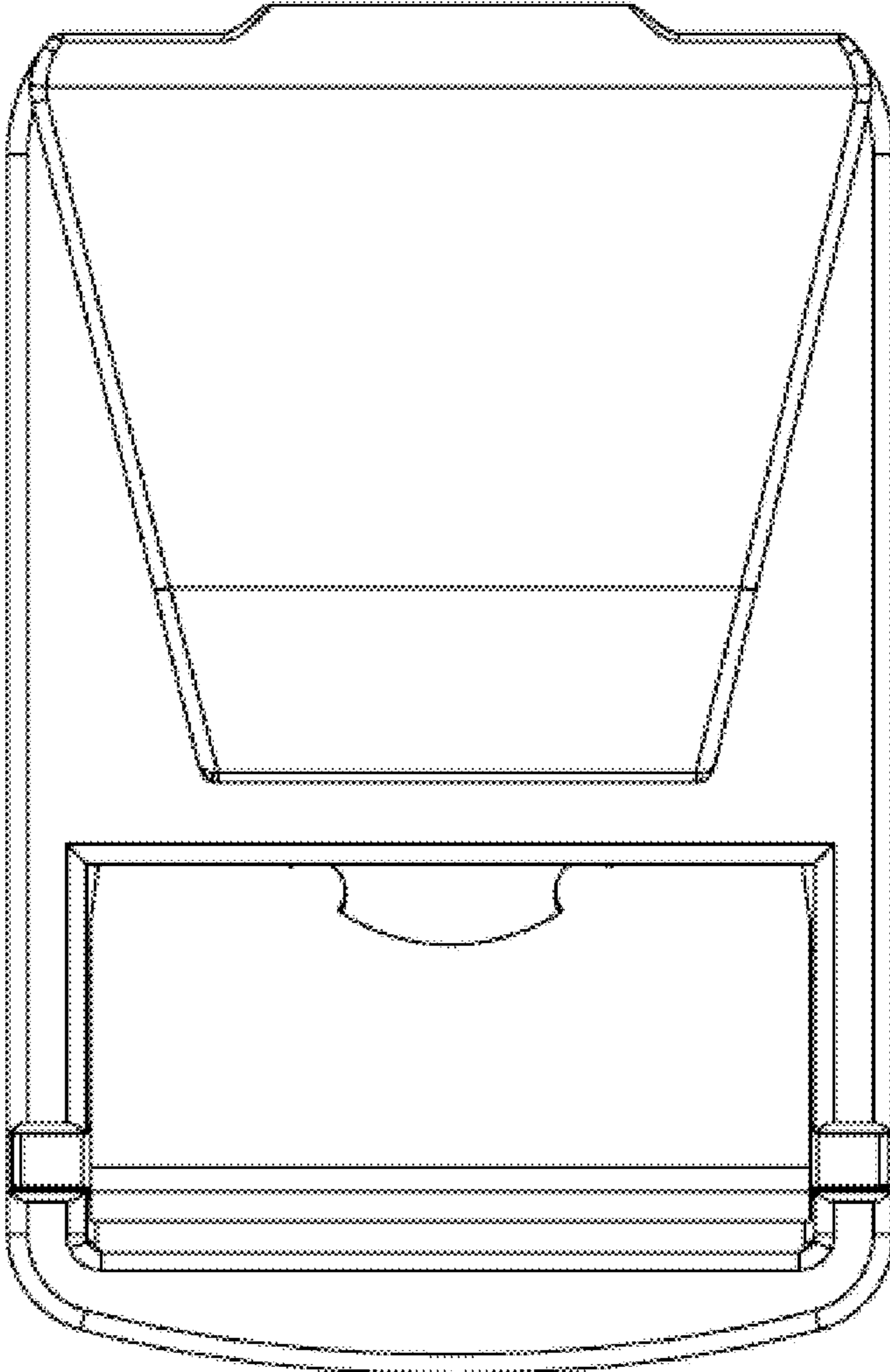


FIGURE 11

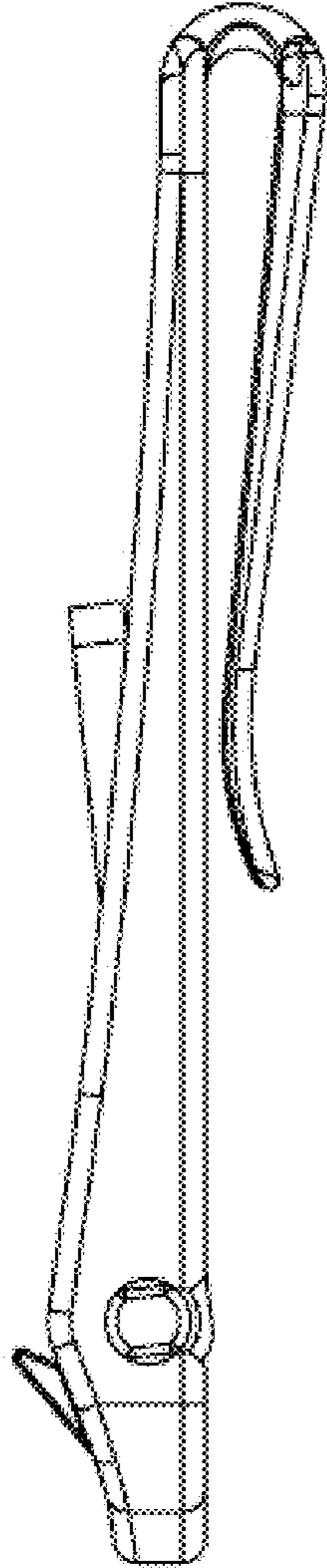


FIGURE 12