



US00D936428S

(12) **United States Design Patent** (10) **Patent No.:** **US D936,428 S**
Storch et al. (45) **Date of Patent:** **** Nov. 23, 2021**

(54) **DISPENSING DEVICE**

FOREIGN PATENT DOCUMENTS

(71) Applicants: **Maria Storch**, Denver, CO (US); **Alex Michael Geldzahler**, Denver, CO (US)

GB 2065617 * 8/1997
GB 4042799 * 8/2015

(Continued)

(72) Inventors: **Maria Storch**, Denver, CO (US); **Alex Michael Geldzahler**, Denver, CO (US)

OTHER PUBLICATIONS

(**) Term: **15 Years**

Acrylic Dry Food Dispenser, Choice, webstaurantsore.com, author nots listed, posted on Dec. 16, 2017 per wayback machine © 2003-2017 WebstaurantStore, online, site visited Jul. 24, 2019. Available from Internet, URL: <https://www.webstaurantstore.com/choice-acrylic-coffee-bean-dry-food-dispens...> (Year: 2017).*

(21) Appl. No.: **29/732,913**

(22) Filed: **Apr. 28, 2020**

(Continued)

Related U.S. Application Data

(62) Division of application No. 29/639,246, filed on Mar. 5, 2018, now Pat. No. Des. 886,531.

Primary Examiner — Lakiya G Rogers

Assistant Examiner — Altaira J Swangin

(51) **LOC (13) Cl.** **07-01**

(74) *Attorney, Agent, or Firm* — Reilly Intellectual

(52) **U.S. Cl.**

Property Law Firm

USPC **D7/597**

(58) **Field of Classification Search**

(57) **CLAIM**

USPC D7/590, 592–597, 600.1–600.2, 602, D7/630–632, 640, 707; D6/520, D6/524–525, 677.2, 692.4–692.5, 696.3; D9/737–739, 741, 747, 756, 758, 761; 248/146; D3/292, 294–295, 905; 222/181.1–181.5, 182, 184–185, 222/189.02–189.05, 216, 344, 544, 556; 211/59.2, 59.4, 119.004

The ornamental design for a dispensing device, as shown and described.

CPC . F16M 11/00; A47K 1/09; A47B 88/90; A47J 47/02; A47J 47/06; A47J 47/10; A47F 1/02; A47F 1/04; A47F 1/08

DESCRIPTION

See application file for complete search history.

FIG. 1 is a perspective view of a dispensing device showing our new design;
FIG. 2 is a top view of FIG. 1;
FIG. 3 is a front view of FIG. 1;
FIG. 4 is a bottom view of FIG. 1;
FIG. 5 is a left side view of FIG. 1;
FIG. 6 is a right side view of FIG. 1;
FIG. 7 is a rear view of FIG. 1;
FIG. 8 is an exploded front view of FIG. 1; and,
FIG. 9 is an exploded rear view of FIG. 1.
The dashed lines of FIGS. 1, 3, 7, 8 and 9 are included to show measuring environment that forms no part of the claimed design.

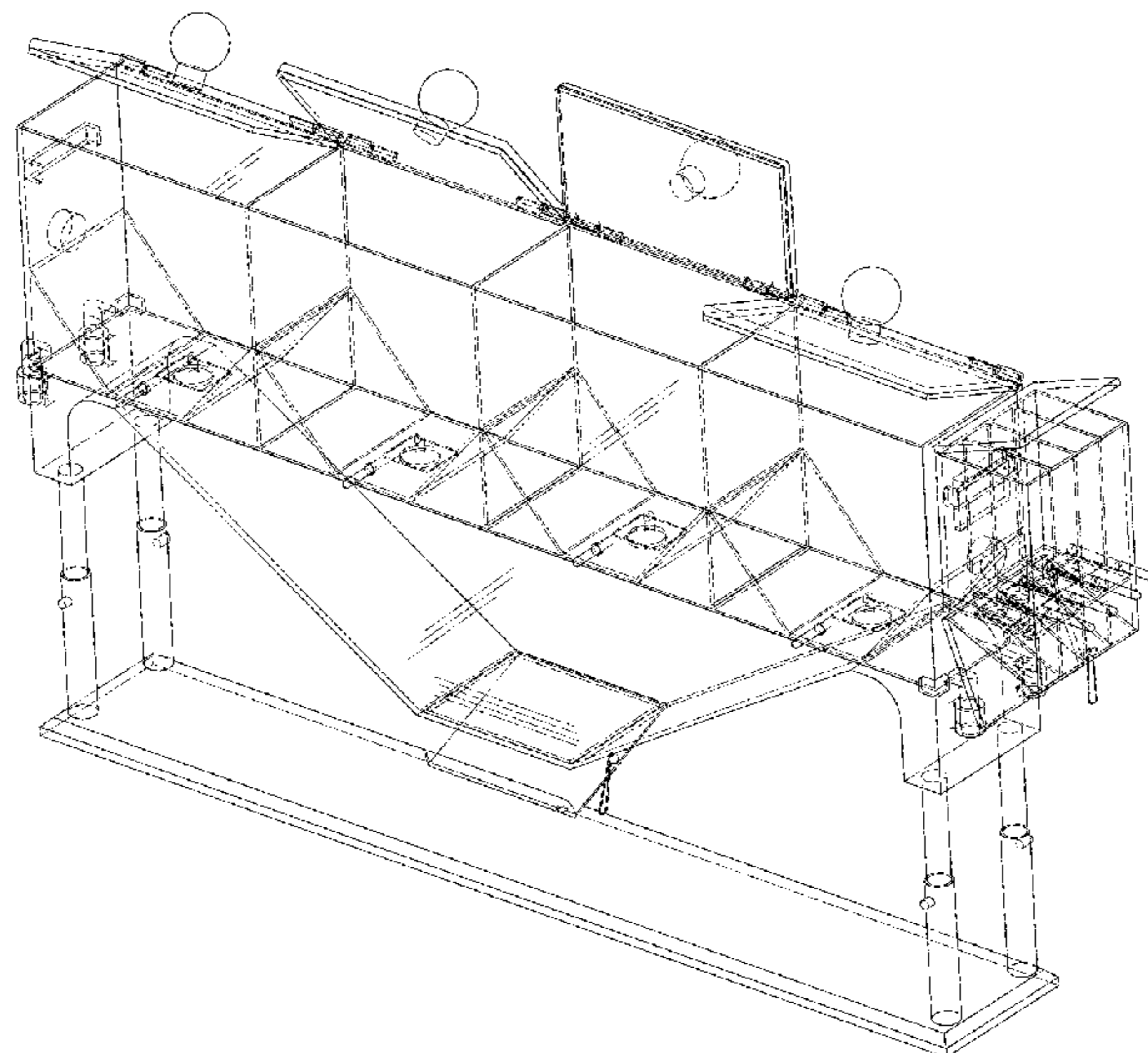
(56) **References Cited**

U.S. PATENT DOCUMENTS

D157,345 S * 2/1950 Cook D6/515
2,522,768 A * 9/1950 Wiepert A45C 1/10
206/0.81

(Continued)

1 Claim, 6 Drawing Sheets



(56)

References Cited

U.S. PATENT DOCUMENTS

3,191,818 A * 6/1965 Farquhar B65D 5/722
222/457
3,854,624 A * 12/1974 Canci A47G 19/32
221/96
3,905,482 A * 9/1975 Knulst B01L 9/06
211/74
4,032,048 A * 6/1977 Nichols B65D 90/623
222/185.1
4,073,410 A * 2/1978 Melcher E02D 17/12
222/181.3
D261,455 S * 10/1981 Ewert D7/592
4,562,941 A * 1/1986 Sanfilippo G07F 11/44
222/108
D283,860 S * 5/1986 Cantolino D6/661.2
D283,861 S * 5/1986 Cantolino D6/661.2
D283,869 S * 5/1986 Blahowicz D7/589
D286,348 S * 10/1986 Gaudet, Sr. D6/516
D286,728 S * 11/1986 Elmore D7/589
D287,210 S * 12/1986 Bounds D7/596
D289,837 S * 5/1987 Luckey D6/661.2
D296,405 S * 6/1988 Weaver D7/589
D299,094 S * 12/1988 Mills D6/515
D309,224 S * 7/1990 Rabin D6/515
5,139,173 A * 8/1992 Evinger A47F 1/03
222/156
D333,219 S * 2/1993 Farber D6/661.3
D335,242 S 5/1993 Saunders
5,240,150 A * 8/1993 Palmon F25C 5/24
222/216
D340,603 S * 10/1993 Ellison D6/515
5,277,332 A * 1/1994 Rogers A47K 5/12
221/96
D352,855 S * 11/1994 Wolff D6/515
5,529,219 A * 6/1996 Ward A47K 5/1214
222/156
D375,228 S * 11/1996 Rhodes D7/590
D385,432 S * 10/1997 Baluk D7/589
5,730,333 A * 3/1998 Baluk A47F 1/03
222/181.3
D393,971 S * 5/1998 Curry D6/515
D394,577 S * 5/1998 Baluk D6/559
D395,183 S * 6/1998 Curry D6/515
D395,970 S * 7/1998 Curry D6/517
D419,804 S * 2/2000 Reitman D6/517
D430,423 S * 9/2000 Sicignano, III D6/517
6,488,182 B1 * 12/2002 Mohanraju G01F 11/40
222/307
6,991,134 B2 1/2006 Bailey
D559,613 S * 1/2008 DeMirjian, III D7/357
7,451,015 B2 11/2008 Mazur
7,461,763 B1 * 12/2008 Winn A47F 1/03
222/158
7,690,518 B2 * 4/2010 Fincher A47F 1/12
211/59.2
7,882,987 B2 2/2011 Sholem

D651,042 S * 12/2011 Petersen D7/401.1
9,187,234 B2 * 11/2015 Codoni A47F 1/10
9,445,610 B1 * 9/2016 Rouillard A23B 7/04
9,574,920 B2 2/2017 Enns
D804,177 S * 12/2017 Zemel D3/295
D824,253 S * 7/2018 Mayer D9/432
10,219,635 B2 * 3/2019 Eso, Jr. A47G 19/34
D876,092 S * 2/2020 Guo D3/295
D881,812 S * 4/2020 Yang D13/119
D886,531 S * 6/2020 Geldzahler D7/597
D891,190 S * 7/2020 Pierce D7/601
D896,179 S * 9/2020 Yang D13/119
D917,976 S * 5/2021 Etgar D7/602
2006/0243683 A1 * 11/2006 Onachilla A47F 5/08
211/59.2
2008/0099509 A1 5/2008 Mountjoy
2008/0138477 A1 * 6/2008 Mular A47J 47/10
426/392
2009/0250490 A1 * 10/2009 Straza A47J 42/40
222/132
2015/0375984 A1 * 12/2015 Arcand B67D 7/02
141/94
2017/0241824 A1 * 8/2017 Rusch G01F 11/006

FOREIGN PATENT DOCUMENTS

RU 00079667 * 9/2011
SE 80456-0001 * 1/2009

OTHER PUBLICATIONS

Acrylic Dry Food/Coffee Bean Dispenser, PRO&Family, amazon.com, published by PRO&Family on Apr. 14, 2020 © 1996-2021 Amazon.com, Inc., online, site visited Jan. 28, 2021. Available from Internet, URL: <https://www.amazon.com/Acrylic-Food-Coffee-Bean-Dispenser/dp/B08746LSR7> (Year: 2020).*

Glass Rice Dispenser, HandyMhel Glass, facebook.com, published by HandyMhel Glass on Mar. 17, 2019 © 2021 Facebook, online, site visited Jan. 28, 2021. Available from Internet, URL: <https://www.facebook.com/handymhel/posts/glass-rice-dispenser/1248821278611125/> (Year: 2019).*

Glass Rice Dispenser, 3MG Glass Products Trading, facebook.com, published by 3MG Glass Products Trading on Jun. 25, 2019 © 2021 Facebook, online, site visited Jul. 3, 2021. Available from Internet, URL: <https://www.facebook.com/glassricedispenser.ph/posts/glass-rice-dispenser-mass-production-for-the-last-week-of-june-everything-were-s/2382459248501407/> (Year: 2019).*

Glass Rice Dispenser, HandyMhel Glass, facebook.com, published by HandyMhel Glass on Mar. 17, 2019 © 2021 Facebook, online, site visited Jul. 3, 2021. Available from Internet, URL: <https://www.facebook.com/handymhel/posts/glass-rice-dispenser/1248821278611125/> (Year: 2019).*

* cited by examiner

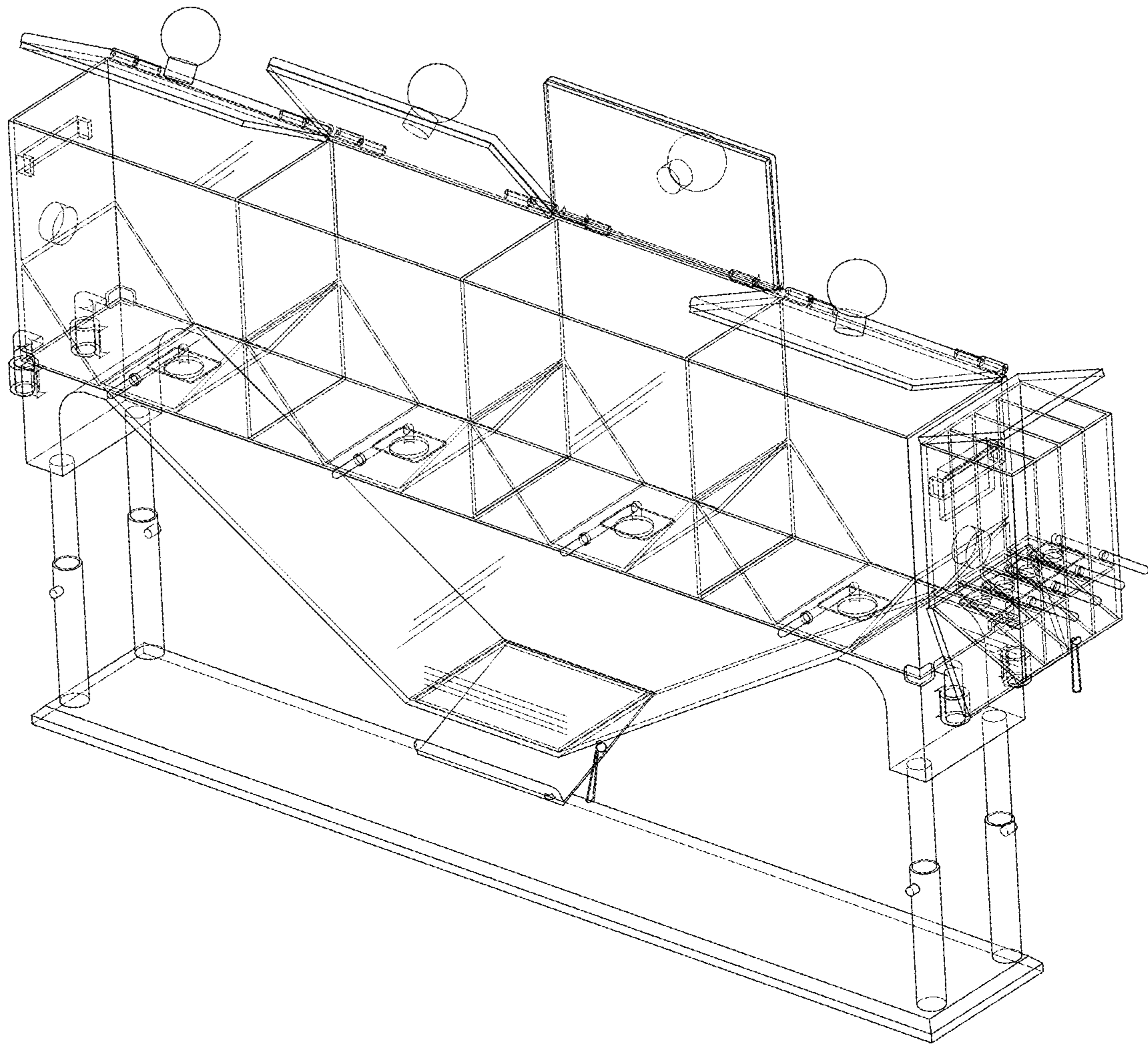


Fig. 1

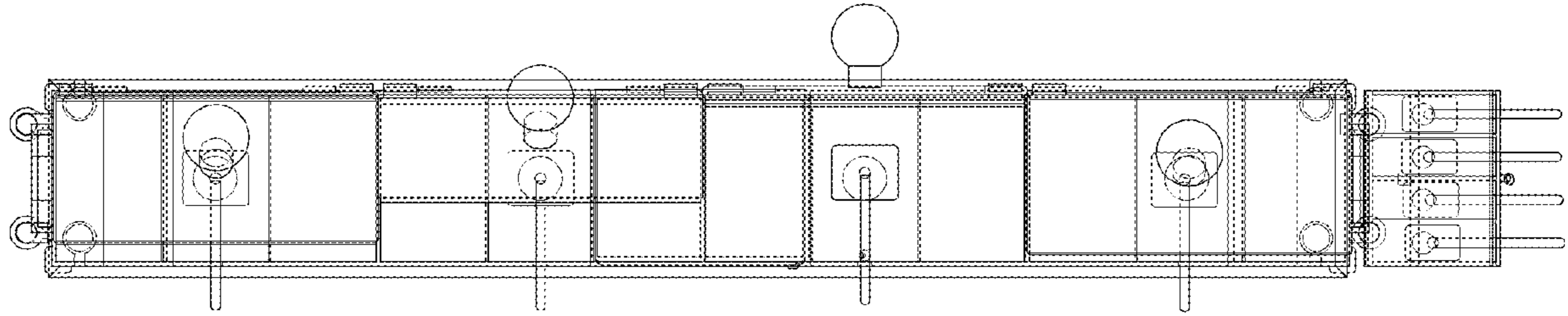


Fig. 2

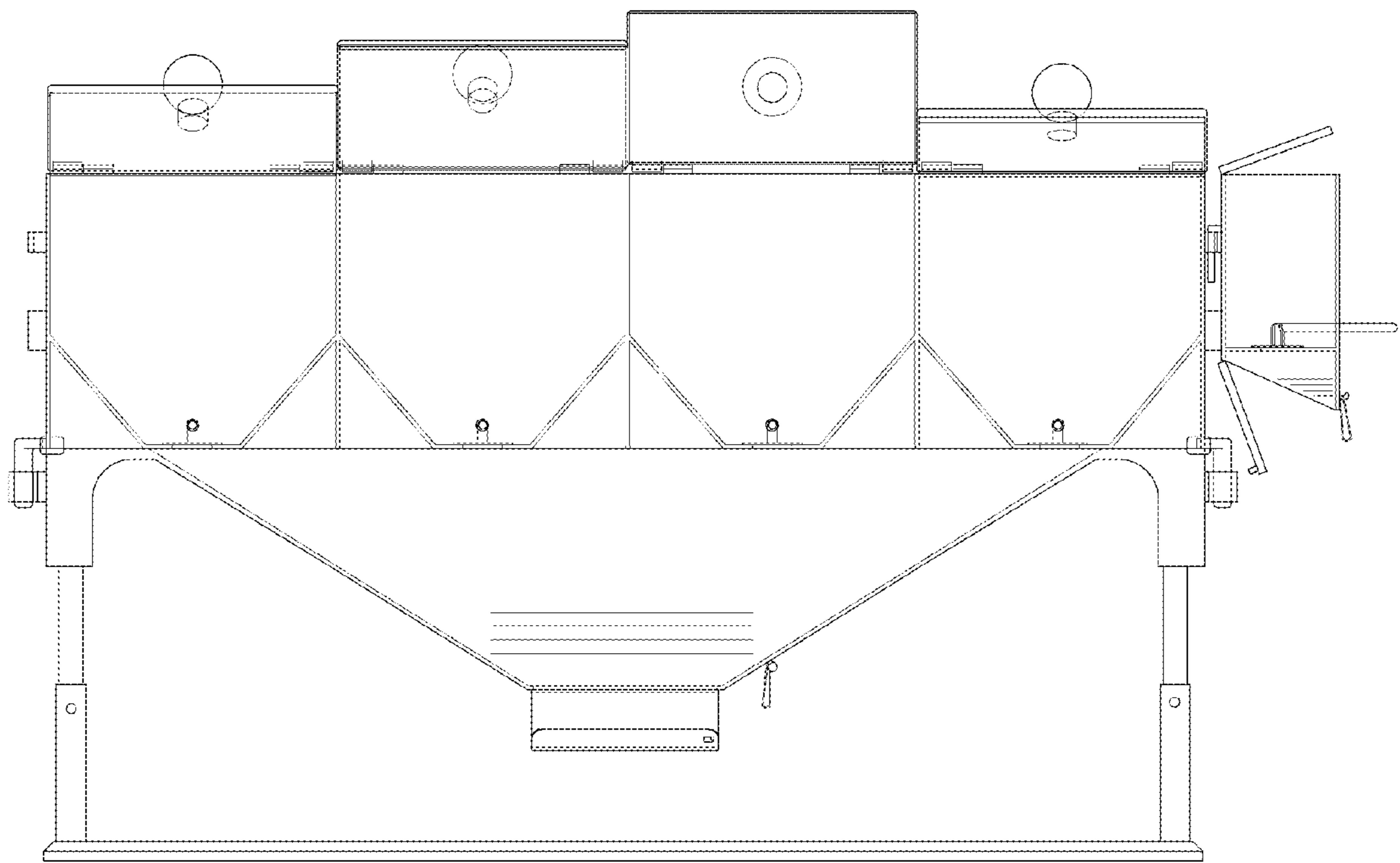


Fig. 3

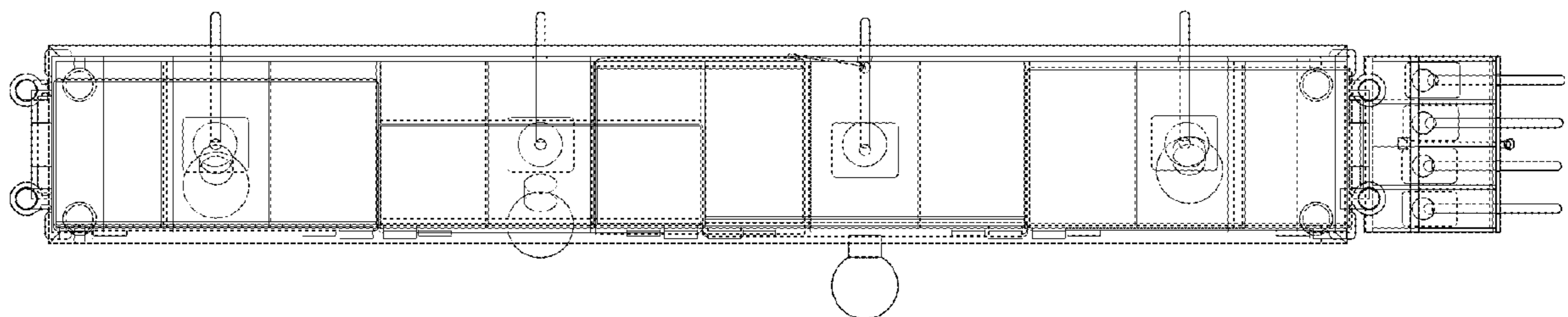


Fig. 4

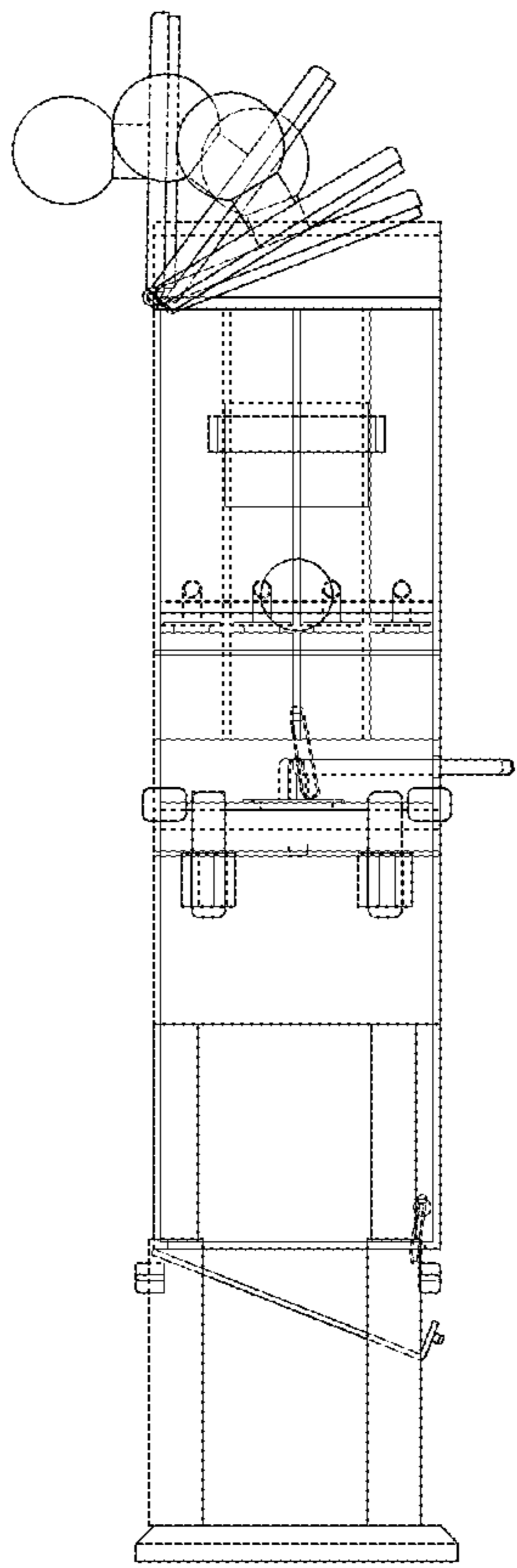


Fig. 5

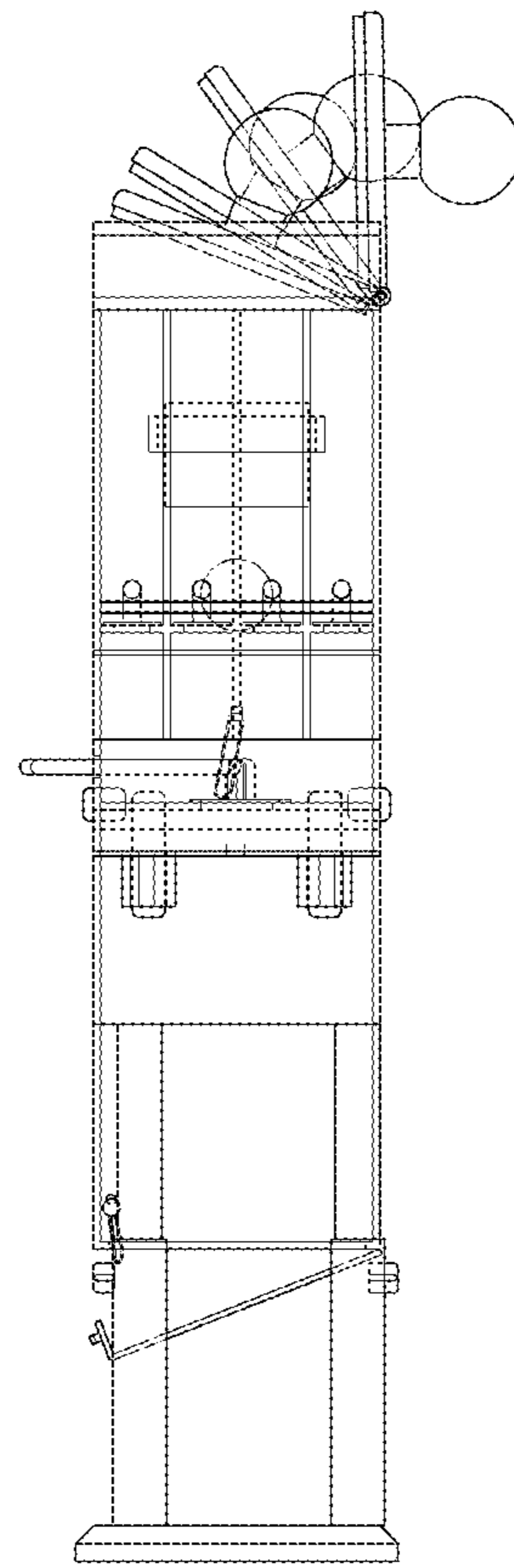


Fig. 6

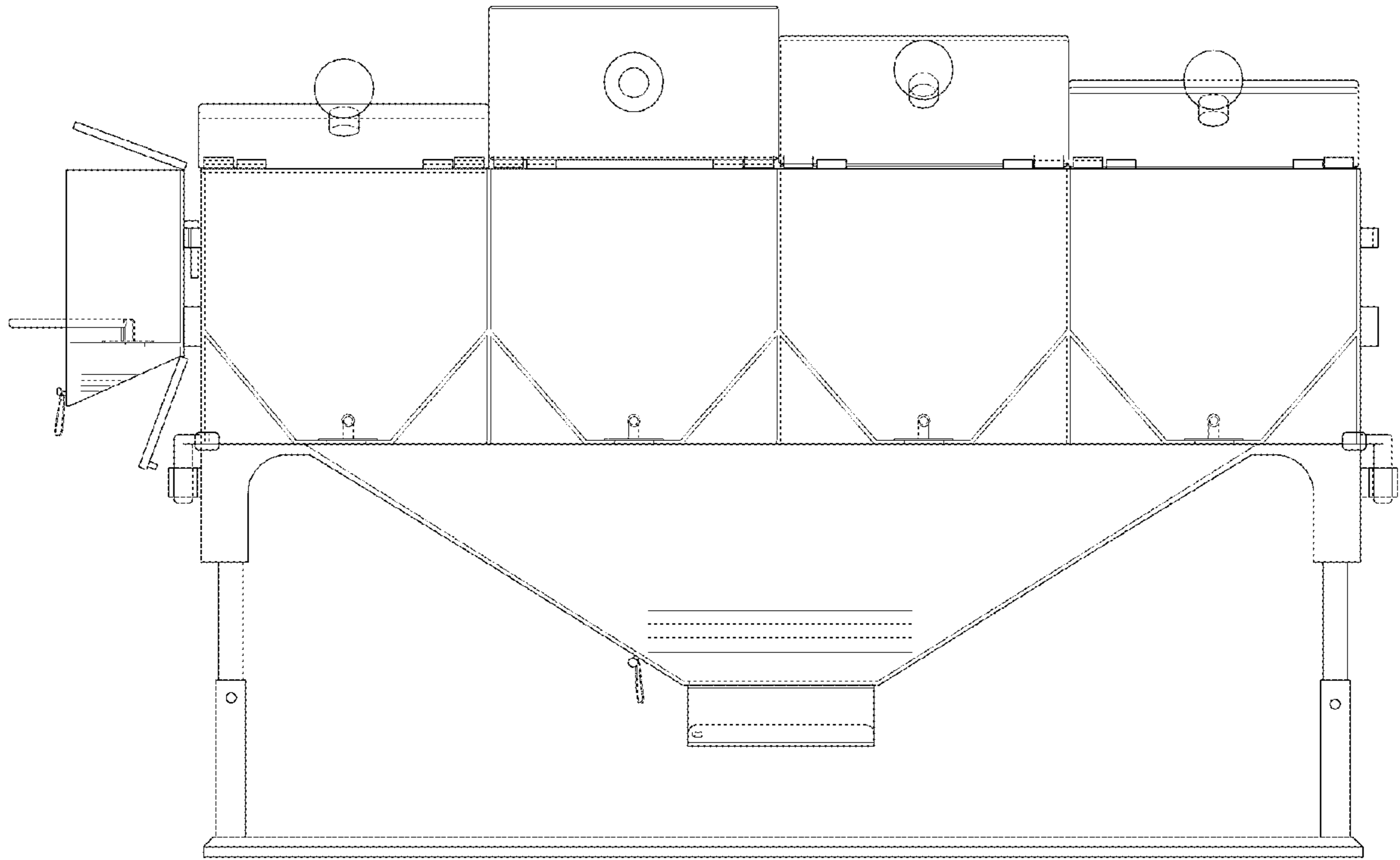


Fig. 7

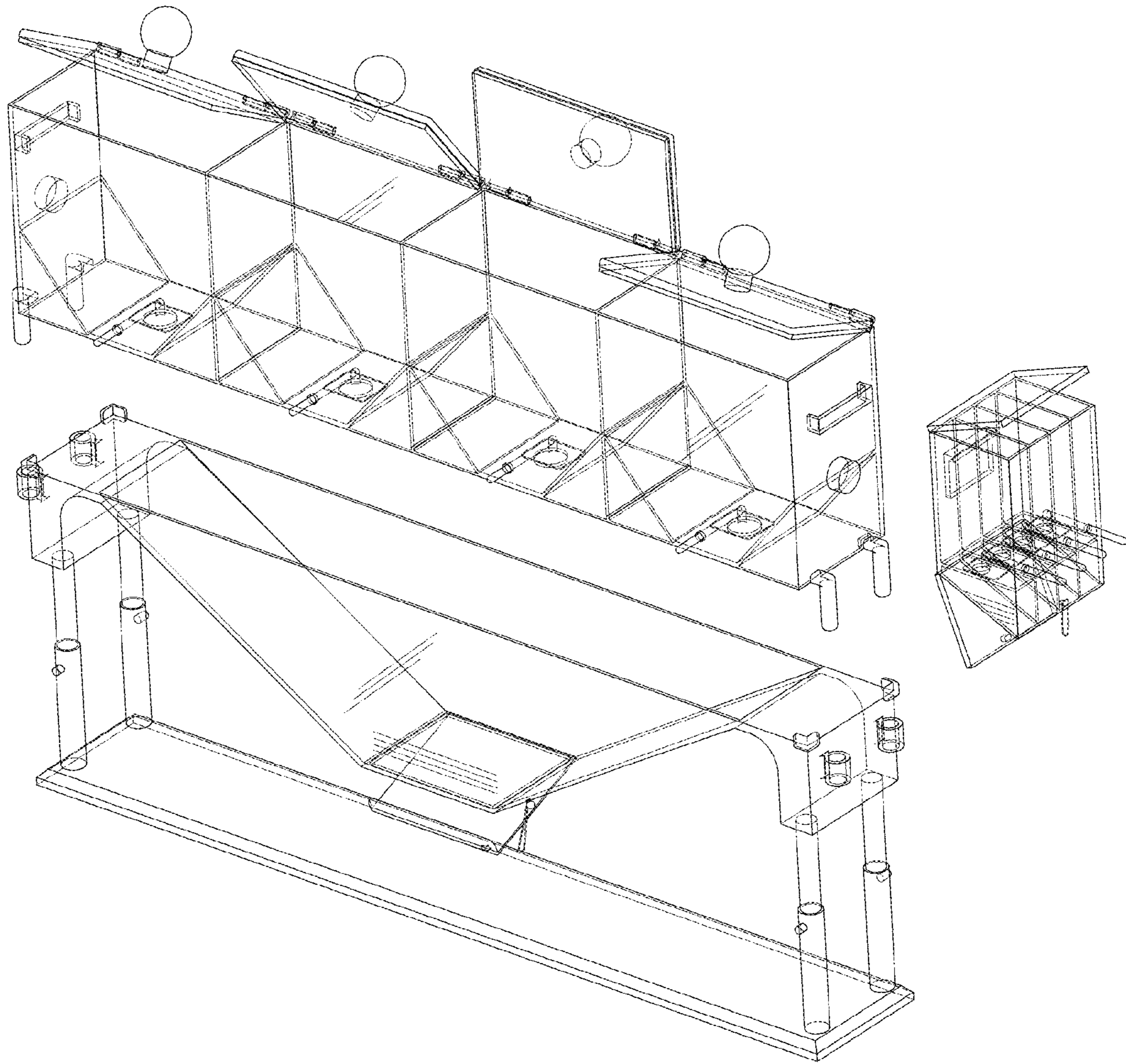


Fig. 8

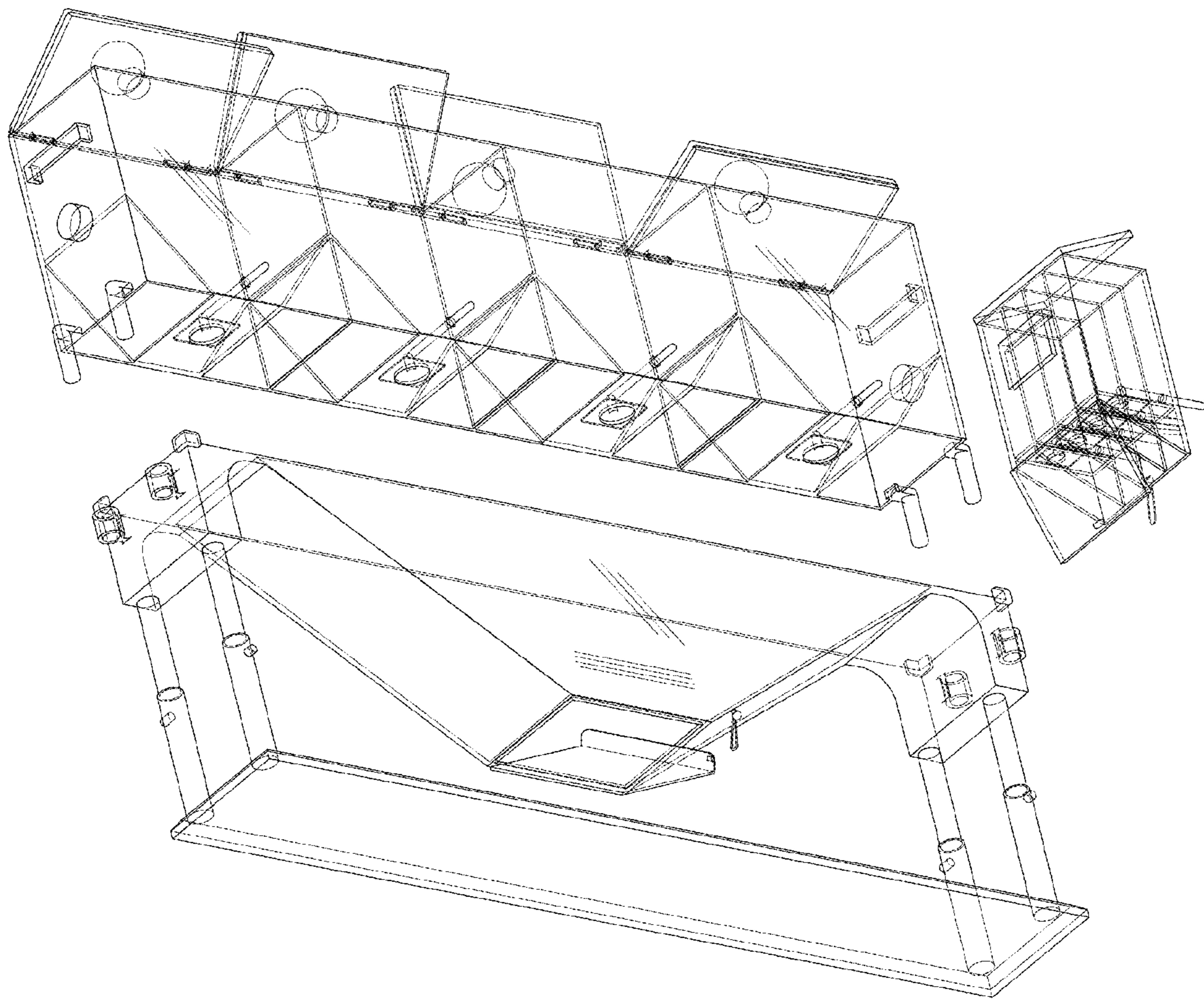


Fig. 9